

INTRODUCTION A

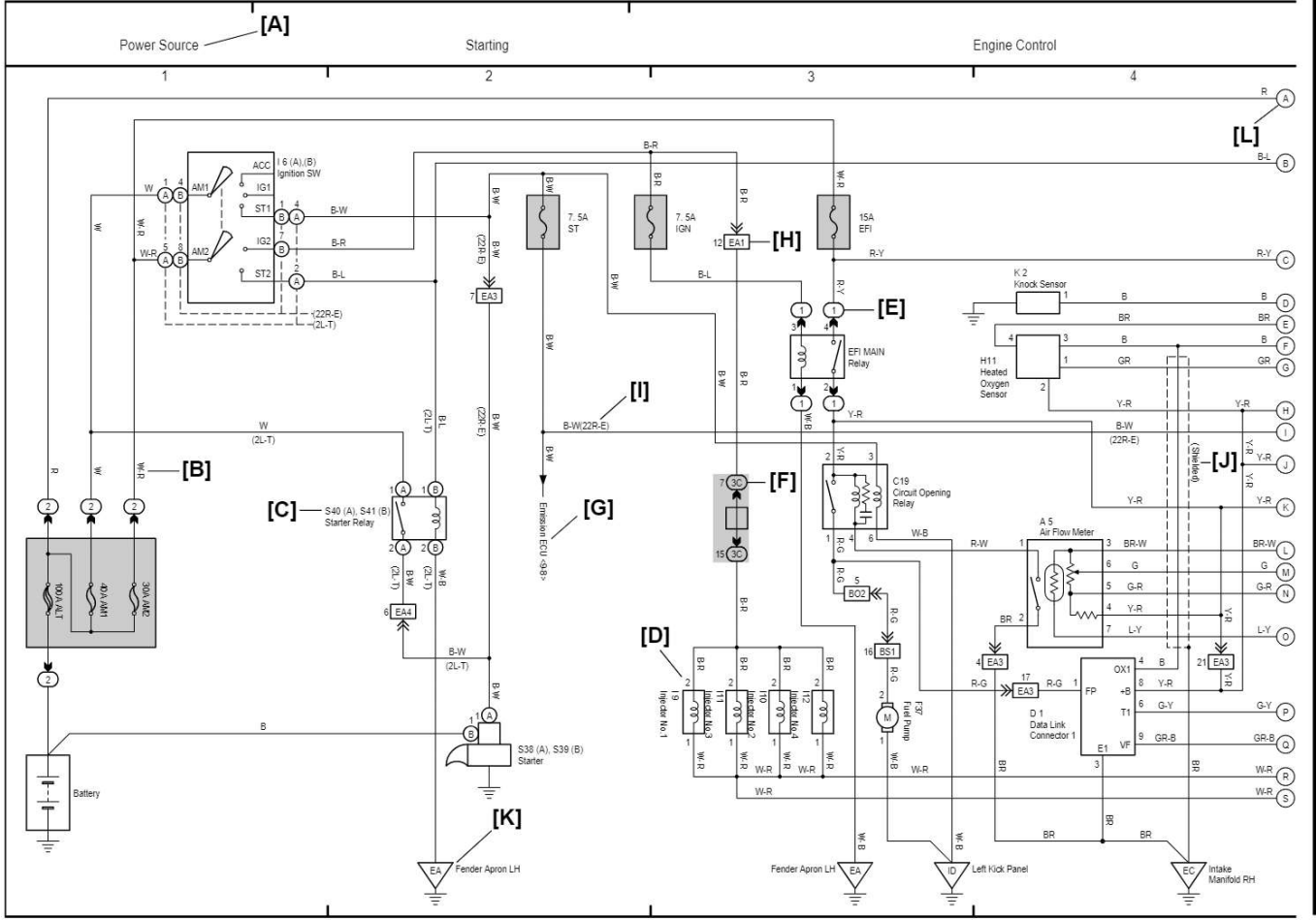
This manual consists of the following 8 sections:

No.	Section	Description
A	INDEX	Index of the contents of this manual.
	INTRODUCTION	Brief explanation of each section.
B	HOW TO USE THIS MANUAL	Instructions on how to use this manual.
C	ABBREVIATIONS	Defines the abbreviations used in this manual.
D	RELAY LOCATIONS	Shows position of the Electronic Control Unit, Relays, Relay Block, etc. This section is closely related to the wiring diagram.
E	ELECTRICAL WIRING ROUTING	Describes position of the Parts Connectors, Ground points, etc. This section is closely related to the wiring diagram.
F	CONNECTOR LIST	Describes the form of the connectors for the parts appeared in this book. This section is closely related to the wiring diagram.
G	PART NUMBER OF CONNECTORS	Indicates the part number of the connectors used in this manual.
H	OVERALL ELECTRICAL WIRING DIAGRAM	Provides circuit diagrams showing the circuit connections.

cardiagn.com

* The system shown here is an EXAMPLE ONLY. It is different to the actual circuit shown in the wiring diagram section.

HOW TO READ THIS SECTION



[A] : System Title

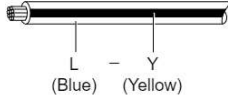
[B] : Indicates the wiring color.

Wire colors are indicated by an alphabetical code.

B = Black W = White BR = Brown
 L = Blue V = Violet SB = Sky Blue
 R = Red G = Green LG = Light Green
 P = Pink Y = Yellow GR = Gray
 O = Orange

The first letter indicates the basic wire color and the second letter indicates the color of the stripe.

Example: L - Y

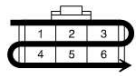


[C] : The position of the parts is the same as shown in the wiring diagram and wire routing.

[D] : Indicates the pin number of the connector.

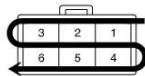
The numbering system is different for female and male connectors.

Example: Numbered in order from upper left to lower right



Female

Numbered in order from upper right to lower left



Male

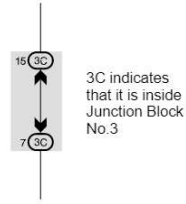
The numbering system for the overall wiring diagram is the same as above.

[E] : Indicates a Relay Block. No shading is used and only the Relay Block No. is shown to distinguish it from the J/B.

Example: ① Indicates Relay Block No.1

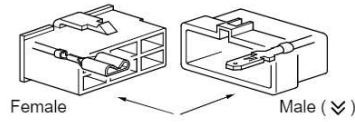
[F] : Junction Block (The number in the circle is the J/B No. and the connector code is shown beside it). Junction Blocks are shaded to clearly separate them from other parts.

Example



[G] : Indicates related system.

[H] : Indicates the wiring harness and wiring harness connector. The wiring harness with male terminal is shown with arrows (↙). Outside numerals are pin numbers.



[I] : () is used to indicate different wiring and connector, etc. when the vehicle model, engine type, or specification is different.

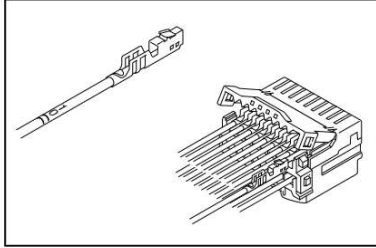
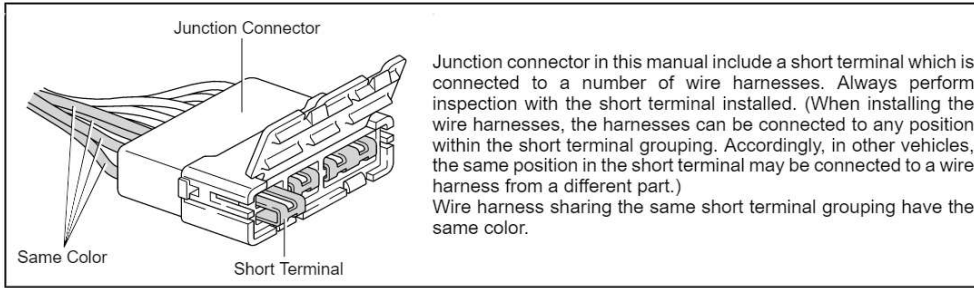
[J] : Indicates a shielded cable.



[K] : Indicates and located on ground point.

[L] : The same code occurring on the next page indicates that the wire harness is continuous.

B HOW TO USE THIS MANUAL



WIRE COLOR AND TERMINAL NUMBER

In some parts of the instrumental panel wiring harness, the same wire color (i.e. SB: Sky Blue) is used for all the wiring to a specific connector.

In order to identify the wiring, the terminal number is printed on the wiring.

Install the wiring to the connector position with the same terminal number.

Some early production Vehicles may not have these terminal numbers printed.

cardiagn.com

FOREWORD

This supplement provides information covering changes in the electrical system specifications of the LAND CRUISER Station Wagon which were made in Aug., 2002.

Applicable models: UZJ100 Series
FZJ100, 105 Series
HDJ100 Series
HZJ105 Series

For information which is not mentioned in this manual, please refer to the following Electrical Wiring Diagram Manuals:

Manual Name	Pub. No.
● LAND CRUISER Station Wagon Electrical Wiring Diagram	EWD342F
● LAND CRUISER Chassis and Body Repair Manual	RM970E
● TOYOTA New Car Features	NCF229E

All information in this manual is based on the latest product information at the time of publication. However, specifications and procedures are subject to change without notice.

TOYOTA MOTOR CORPORATION

NOTICE

When handling supplemental restraint system components (removal, installation or inspection, etc.), always follow the direction given in the repair manuals listed above to prevent accidents and supplemental restraint system malfunction.

ABBREVIATIONS

The following abbreviations are used in this manual.

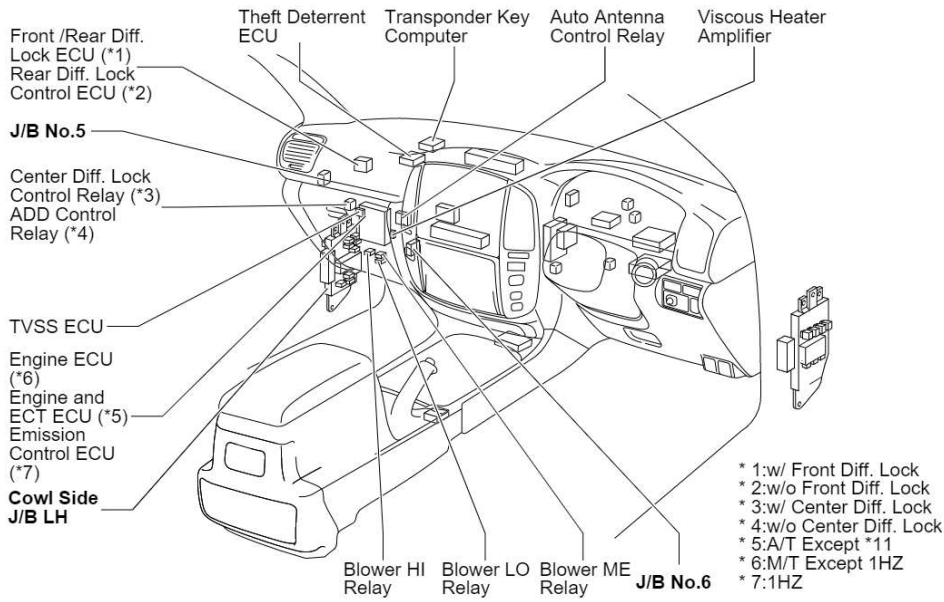
4WD	=	Four Wheel Drive Vehicles
A/C	=	Air Conditioner
A/T	=	Automatic Transmission
ABS	=	Anti-Lock Brake System
ADD	=	Automatic Disconnecting Differential
AHC	=	Active Height Control
BA	=	Brake Assist
BACS	=	Boost Altitude Compensational Stopper
CD	=	Compact Disc
DIFF.	=	Differential
DLC3	=	Data Link Connector 3
ECT	=	Electronic Control Transmission
ECU	=	Electronic Control Unit
EDU	=	Electronic Driving Unit
EFI	=	Electronic Fuel Injection
EGR	=	Exhaust Gas Recirculation
EVAP	=	Evaporative Emission
HID	=	High Intensity Discharge
INT	=	Intermittent
ISC	=	Idle Speed Control
J/B	=	Junction Block
LH	=	Left-Hand
LHD	=	Left-Hand Drive
M/T	=	Manual Transmission
O/D	=	Overdrive
R/B	=	Relay Block
RH	=	Right-Hand
RHD	=	Right-Hand Drive
SRS	=	Supplemental Restraint System
SW	=	Switch
TEMP.	=	Temperature
TRC	=	Traction Control
TVSS	=	TOYOTA Vehicle Security System
VGRS	=	Variable Gear Ratio Steering
VRV	=	Vacuum Regulating Valve
VSC	=	Vehicle Stability Control
VSV	=	Vacuum Switching Valve
w/	=	With
w/o	=	Without

cardiagn.com

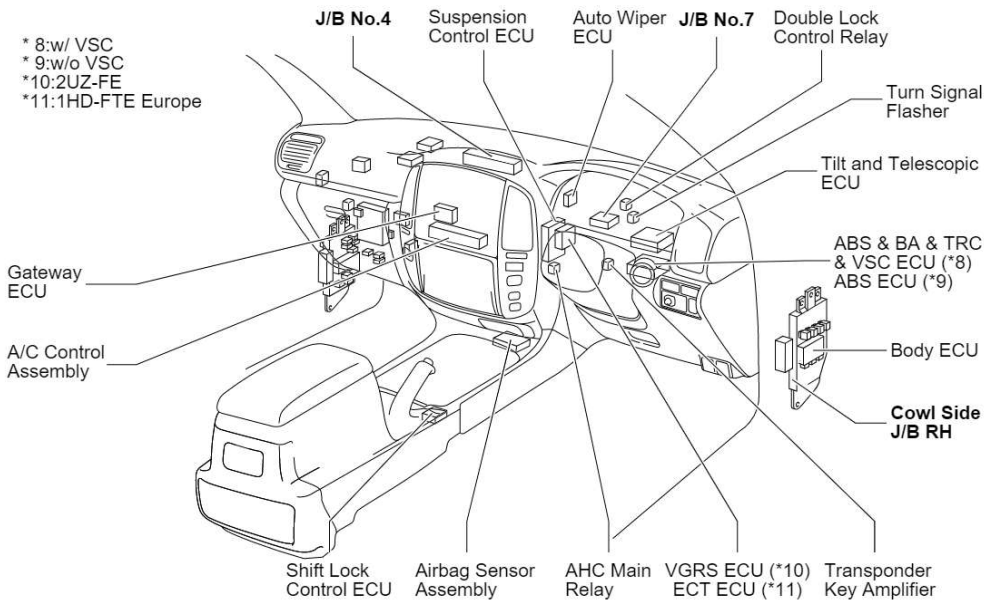
* The titles given inside the components are the names of the terminals (terminal codes) and are not treated as being abbreviations.

D RELAY LOCATIONS

[Instrument Panel] (RHD1)



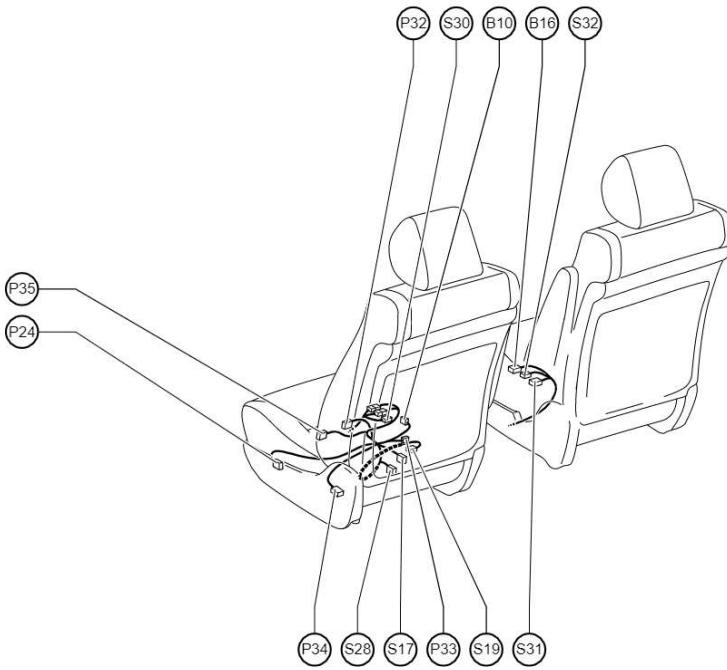
(RHD2)



E ELECTRICAL WIRING ROUTING

Position of Parts in Seat

[RHD : w/ Seat ECU]



B10 Buckle SW LH
B16 Buckle SW RH
Seat Position Sensor

P24 Power Seat Control SW (Front Passenger's Seat)

P32 Power Seat Motor
(Front Passenger's Seat Front Vertical Control)

P33 Power Seat Motor
(Front Passenger's Seat Rear Vertical Control)

P34 Power Seat Motor
(Front Passenger's Seat Reclining Control)

P35 Power Seat Motor
(Front Passenger's Seat Slide Control)

S17 Seat Belt Warning Occupant Detection Sensor

S19 Seat Heater (Front Passenger's Seat)

S28 Seat Heater (Front Passenger's Seat Cushion)

S30 Side Airbag Squib LH

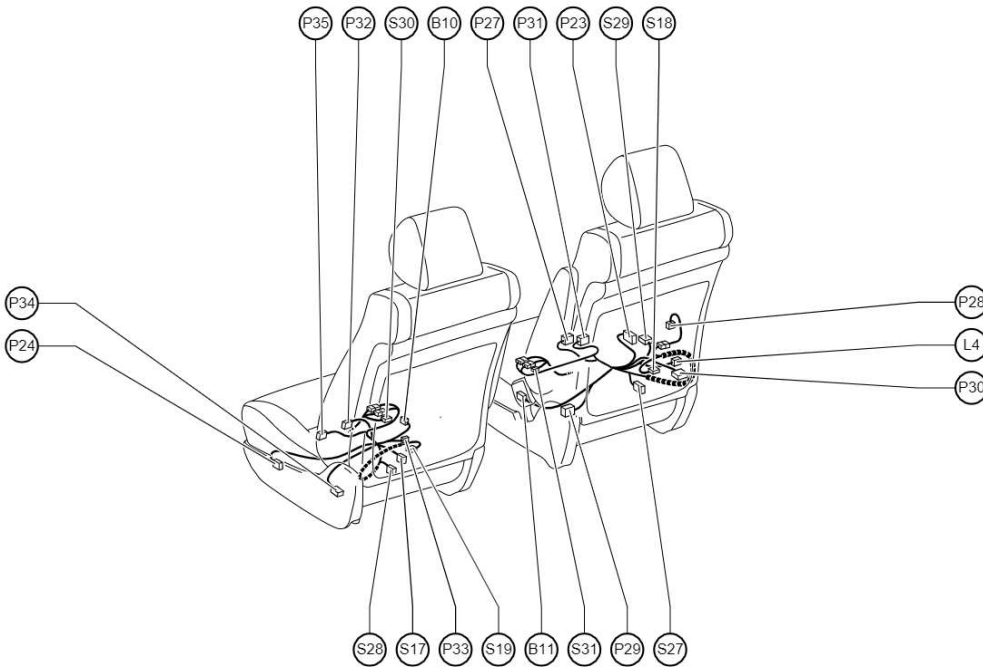
S31 Side Airbag Squib RH

S32 Seat ECU

cardiagn.com

Position of Parts in Seat

[RHD : w/o Seat ECU]



B10 Buckle SW LH
B11 Buckle SW RH

L 4 Lumbar Support Control SW (Driver's Seat)

P23 Power Seat Control SW (Driver's Seat)

P24 Power Seat Control SW (Front Passenger's Seat)

P27 Power Seat Motor (Driver's Seat Front Vertical Control)

P28 Power Seat Motor
(Driver's Seat Lumbar Support Control)

P29 Power Seat Motor (Driver's Seat Rear Vertical Control)

P30 Power Seat Motor (Driver's Seat Reclining Control)

P31 Power Seat Motor (Driver's Seat Slide Control)

P32 Power Seat Motor
(Front Passenger's Seat Front Vertical Control)

P33 Power Seat Motor
(Front Passenger's Seat Rear Vertical Control)

P34 Power Seat Motor
(Front Passenger's Seat Reclining Control)

P35 Power Seat Motor
(Front Passenger's Seat Slide Control)

S17 Seat Belt Warning Occupant Detection Sensor

S18 Seat Heater (Driver's Seat)

S19 Seat Heater (Front Passenger's Seat)

S27 Seat Heater (Driver's Seat Cushion)

S28 Seat Heater (Front Passenger's Seat Cushion)

S29 Seat Position Sensor

S30 Side Airbag Squib LH

S31 Side Airbag Squib RH

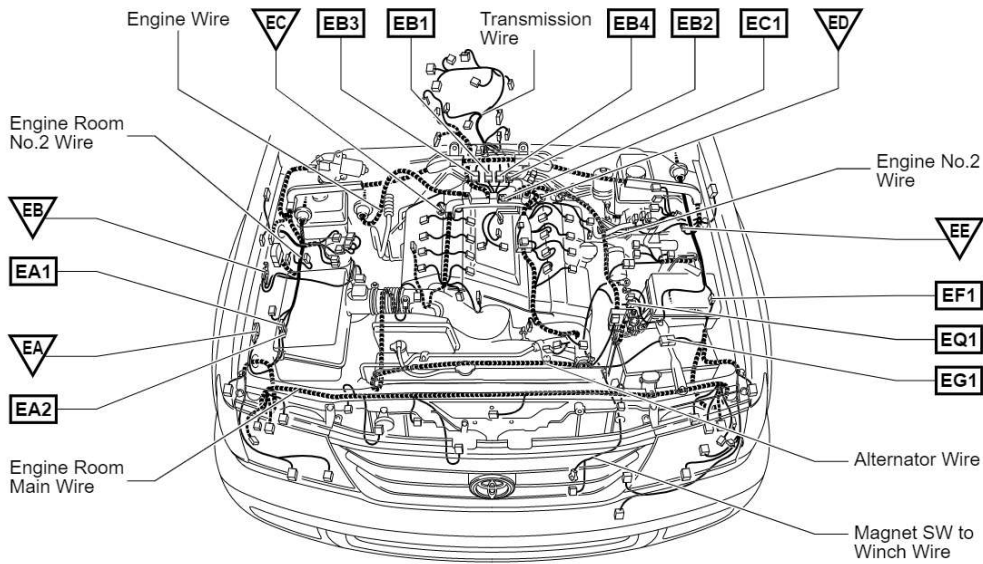
cardiagn.com

E ELECTRICAL WIRING ROUTING

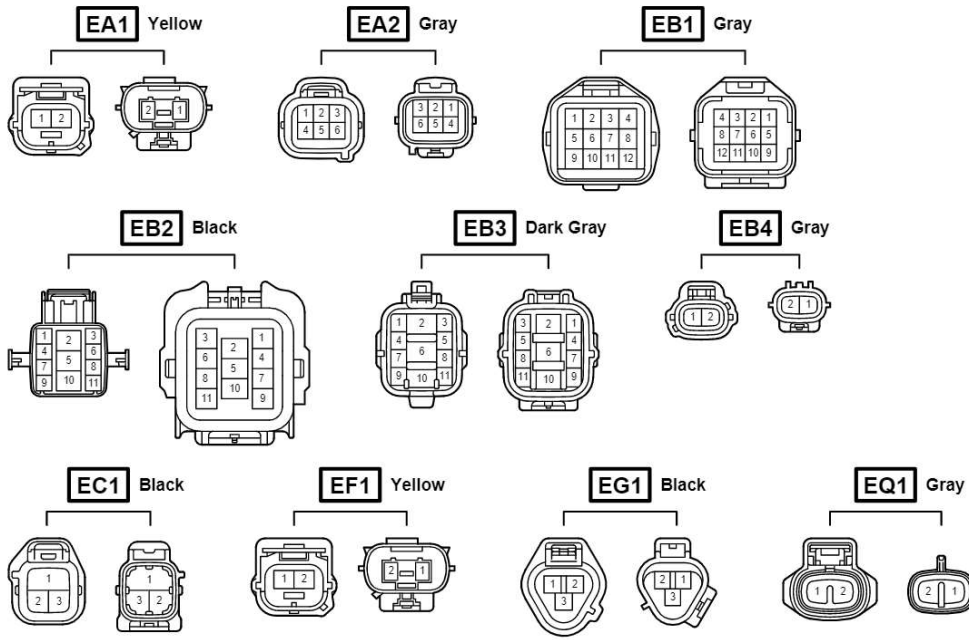
□ : Location of Connector Joining Wire Harness and Wire Harness

▽ : Location of Ground Points

[LHD : 2UZ-FE]



Connector Joining Wire Harness and Wire Harness



Code	Joining Wire Harness and Wire Harness (Connector Location)
EA1	Engine Room Main Wire and Engine Room No.2 Wire (Engine Compartment Right)
EA2	
EB1	
EB2	Engine Wire and Transmission Wire (On the Transmission)
EB3	
EB4	
EC1	Engine No.2 Wire and Engine Wire (Rear Side of Intake Manifold)
EF1	Engine Room No.2 Wire and Engine Room Main Wire (Under the Engine Room J/B)
EG1	Engine Room Main Wire and Alternator Wire (Near the Battery)
EQ1	Engine Room No.2 Wire and Magnet SW to Winch Wire (Near the Engine Room J/B)

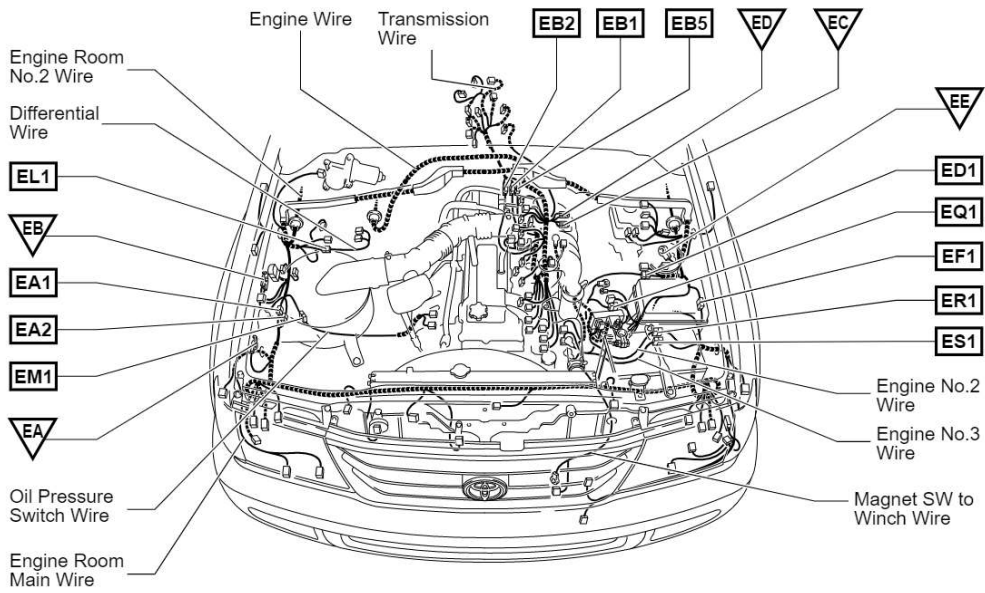
cardiagn.com

E ELECTRICAL WIRING ROUTING

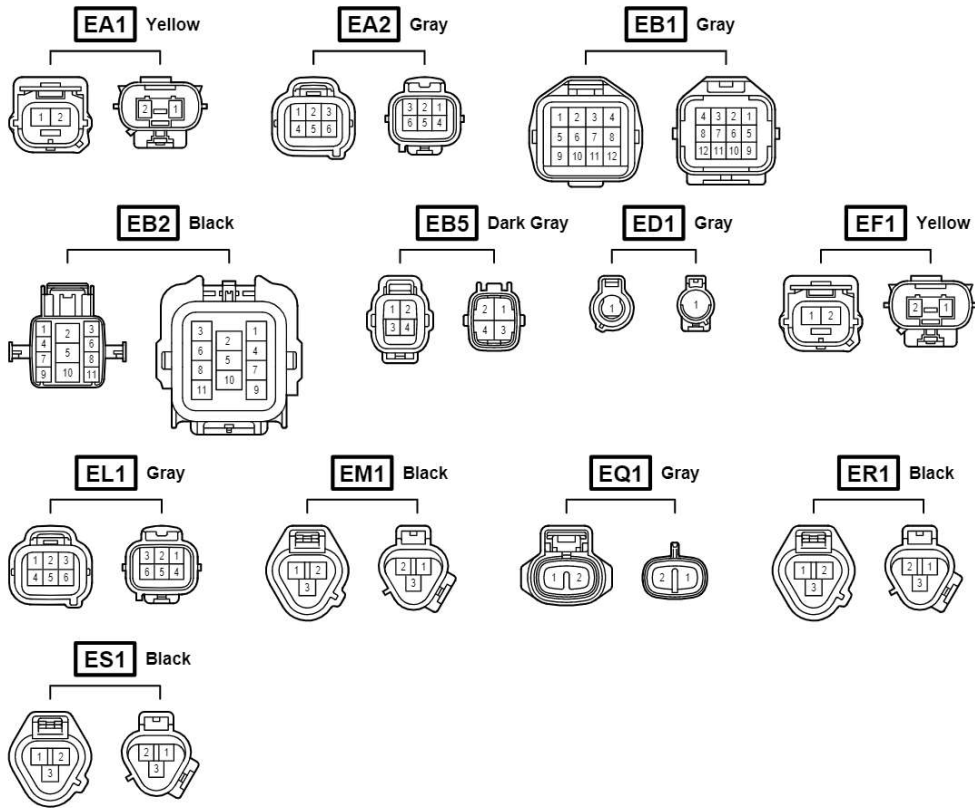
□ : Location of Connector Joining Wire Harness and Wire Harness

▽ : Location of Ground Points

[LHD : 1FZ-FE]



Connector Joining Wire Harness and Wire Harness



cardiagn.com

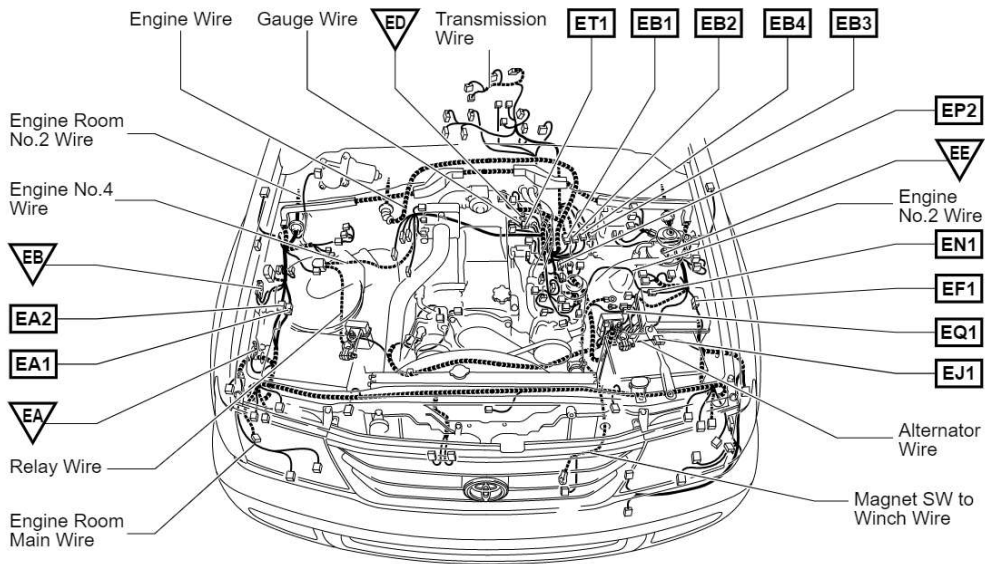
Code	Joining Wire Harness and Wire Harness (Connector Location)
EA1	Engine Room Main Wire and Engine Room No.2 Wire (Engine Compartment Right)
EA2	Engine Room No.2 Wire and Differential Wire (Engine Compartment Right)
EB1	Engine Wire and Transmission Wire (On the Transmission)
EB2	Engine Room No.2 Wire and Engine Room Main Wire (Under the Engine Room J/B)
EB5	Engine Room No.2 Wire and Engine Room Main Wire (Near the Battery)
ED1	Engine No.2 Wire and Engine Room No.2 Wire (Near the Engine Room J/B)
EF1	Engine Room No.2 Wire and Engine Room Main Wire (Under the Engine Room J/B)
EL1	Engine Room No.2 Wire and Differential Wire (Engine Compartment Right)
EM1	Oil Pressure Switch Wire and Engine Room No.2 Wire (Engine Compartment Right)
EQ1	Engine Room No.2 Wire and Magnet SW to Winch Wire (Near the Engine Room J/B)
ER1	Engine Room Main Wire and Engine No.2 Wire (Near the Battery)
ES1	Engine Room Main Wire and Engine No.3 Wire (Near the Battery)

E ELECTRICAL WIRING ROUTING

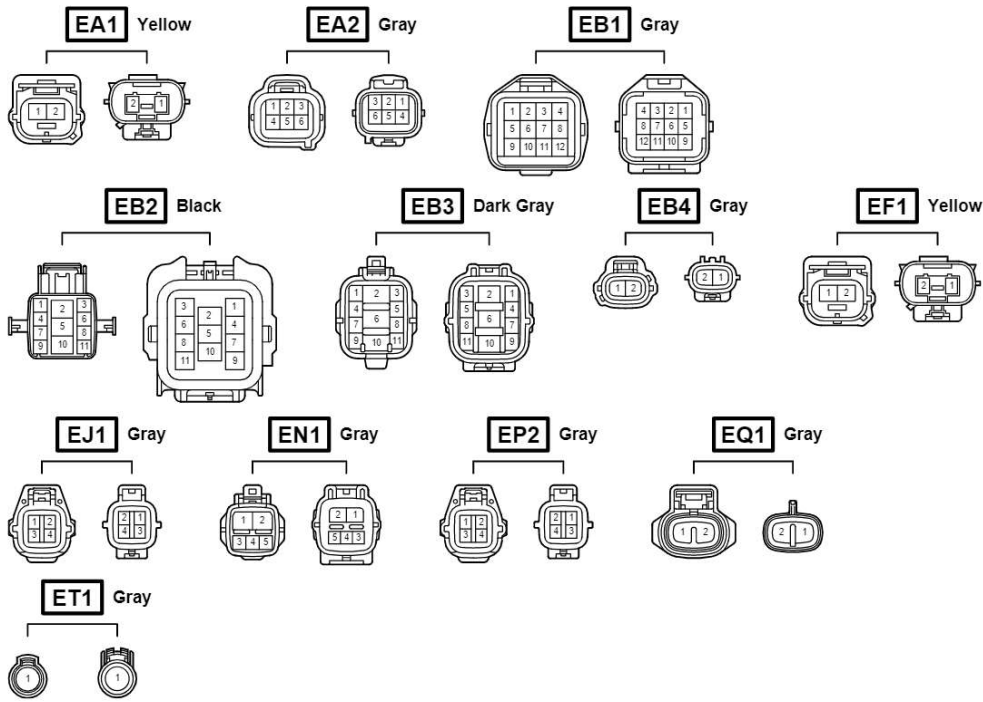
□ : Location of Connector Joining Wire Harness and Wire Harness

▽ : Location of Ground Points

[LHD : 1HD-FTE]



Connector Joining Wire Harness and Wire Harness



Code	Joining Wire Harness and Wire Harness (Connector Location)
EA1	Engine Room Main Wire and Engine Room No.2 Wire (Engine Compartment Right)
EA2	
EB1	
EB2	Engine Wire and Transmission Wire (On the Transmission)
EB3	
EB4	
EF1	Engine Room No.2 Wire and Engine Room Main Wire (Under the Engine Room J/B)
EJ1	Engine Room Main Wire and Alternator Wire (Near the Battery)
EN1	Engine Room No.2 Wire and Engine No.2 Wire (Near the Engine Room J/B)
EP2	Engine Wire and Engine No.2 Wire (On the Transmission)
EQ1	Engine Room No.2 Wire and Magnet SW to Winch Wire (Near the Engine Room J/B)
ET1	Engine Wire and Gauge Wire (Rear Bank of Left Cylinder Head)

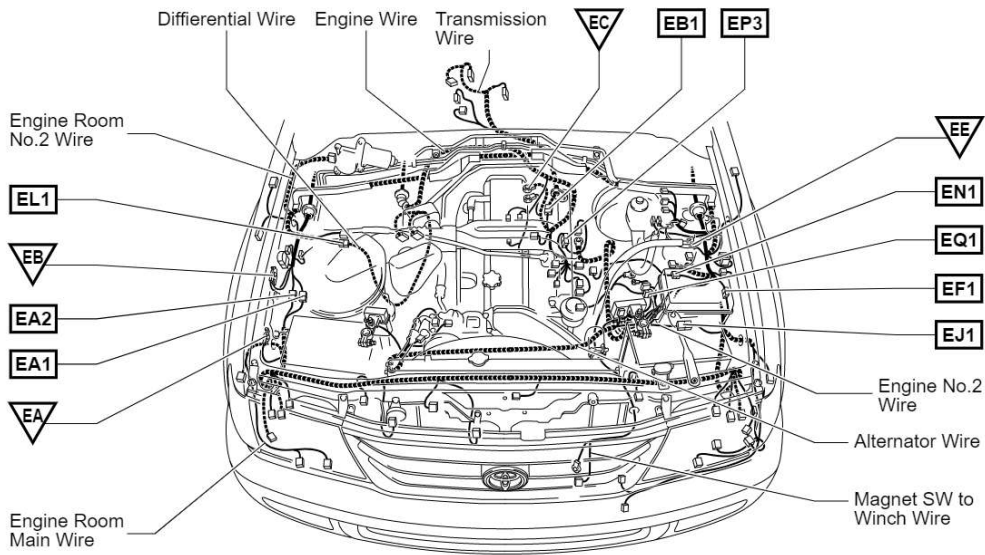
cardiagn.com

E ELECTRICAL WIRING ROUTING

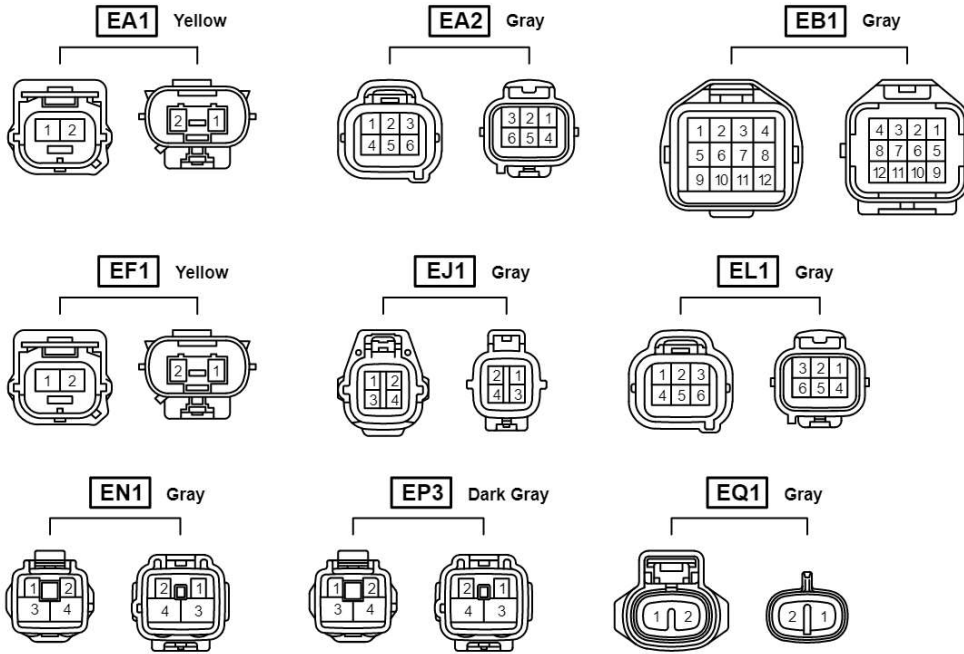
□ : Location of Connector Joining Wire Harness and Wire Harness

▽ : Location of Ground Points

[LHD : 1HZ]



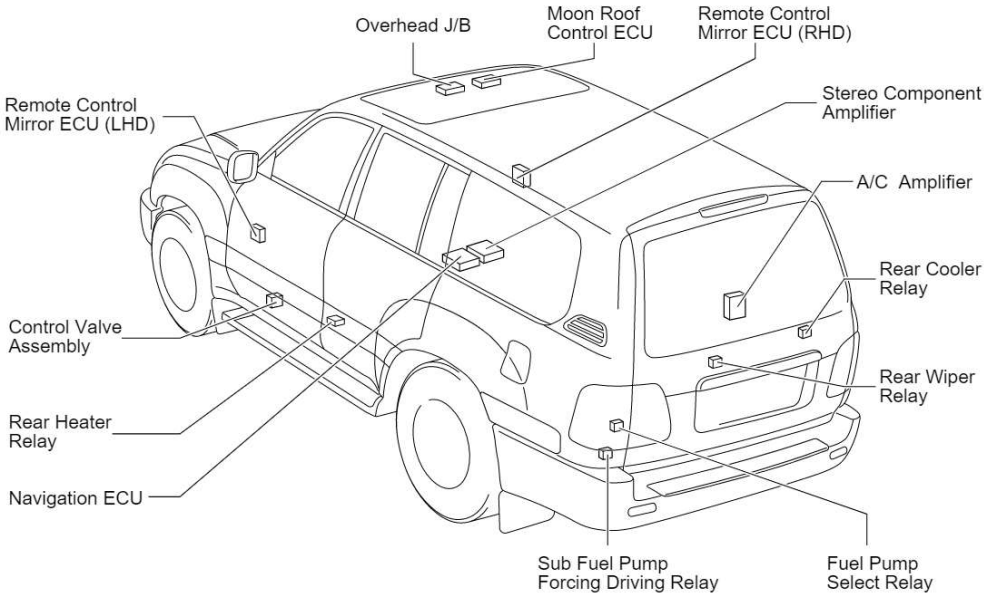
Connector Joining Wire Harness and Wire Harness



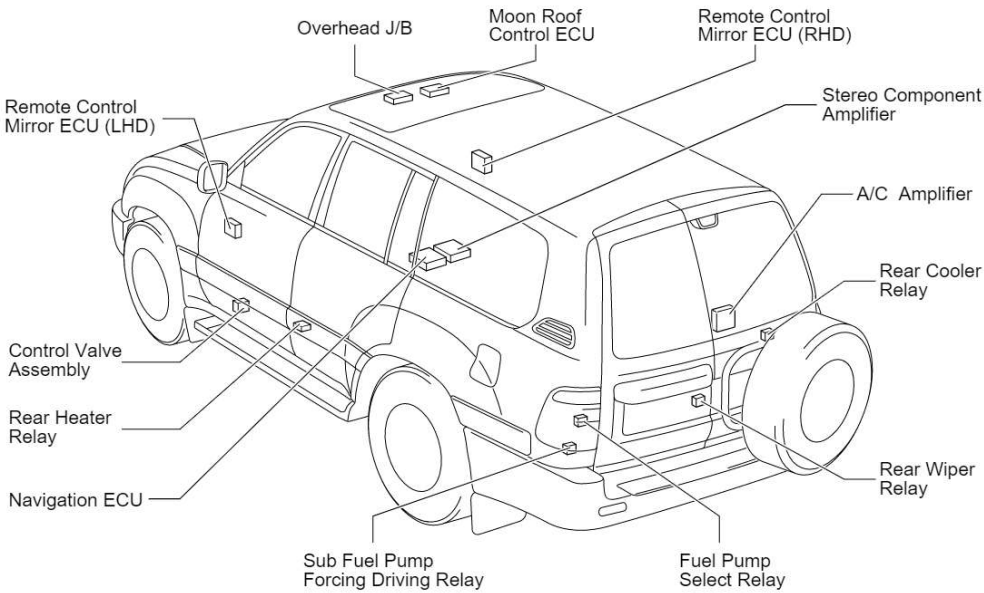
Code	Joining Wire Harness and Wire Harness (Connector Location)
EA1	Engine Room Main Wire and Engine Room No.2 Wire (Engine Compartment Right)
EA2	Engine Room Main Wire and Engine Room No.2 Wire (Engine Compartment Right)
EB1	Engine Wire and Transmission Wire (On the Transmission)
EF1	Engine Room No.2 Wire and Engine Room Main Wire (Under the Engine Room J/B)
EJ1	Engine Room Main Wire and Alternator Wire (Near the Battery)
EL1	Engine Room No.2 Wire and Differential Wire (Engine Compartment Right)
EN1	Engine Room No.2 Wire and Engine No.2 Wire (Near the Engine Room J/B)
EP3	Engine Wire and Engine No.2 Wire (On the Transmission)
EQ1	Engine Room No.2 Wire and Magnet SW to Winch Wire (Near the Engine Room J/B)

cardiagn.com

[Body]
(Liftgate Type)



(Swing Type)

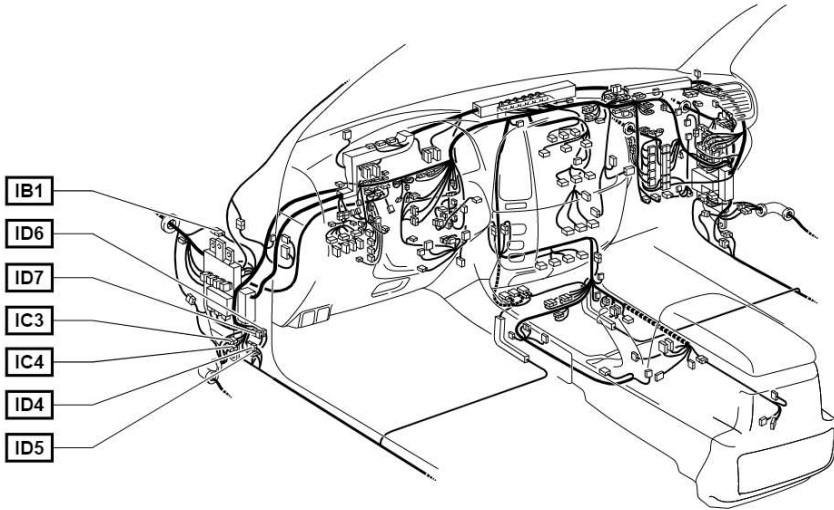


cardiagn.com

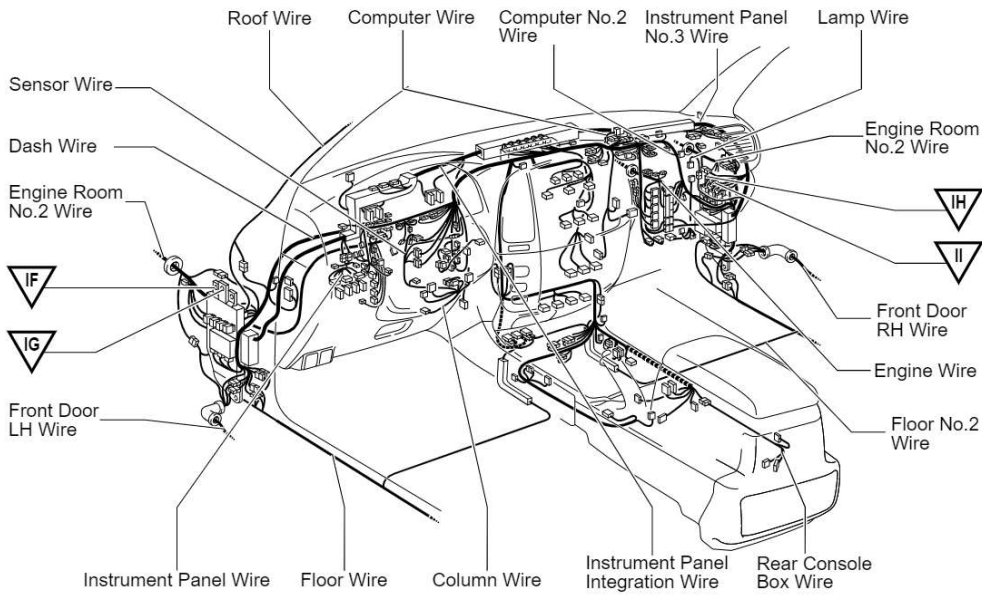
E ELECTRICAL WIRING ROUTING

☐ : Location of Connector Joining Wire Harness and Wire Harness

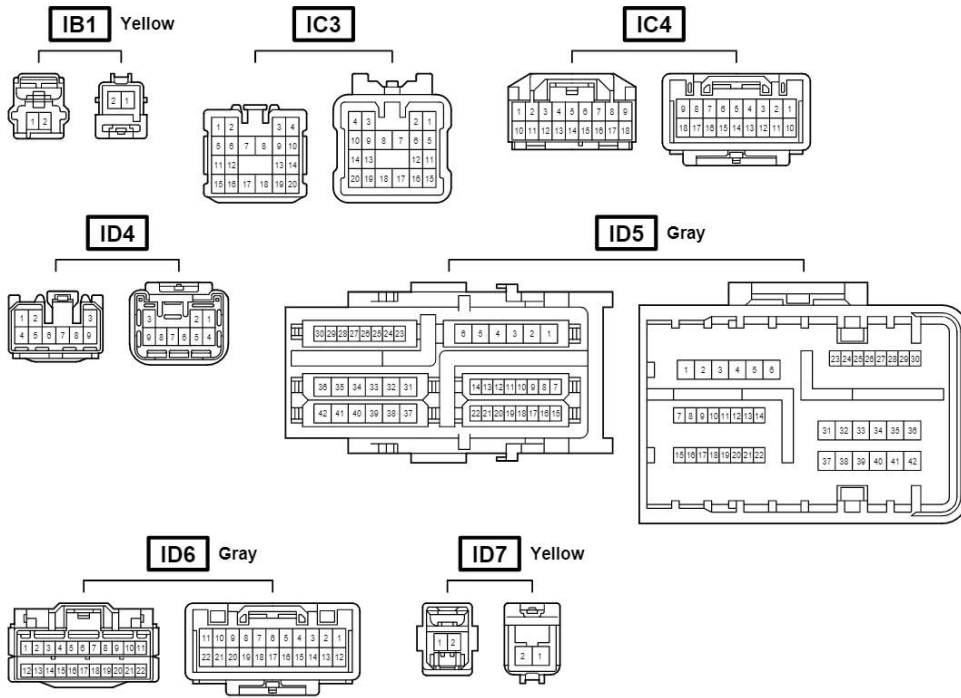
[LHD]



▽ : Location of Ground Points



Connector Joining Wire Harness and Wire Harness



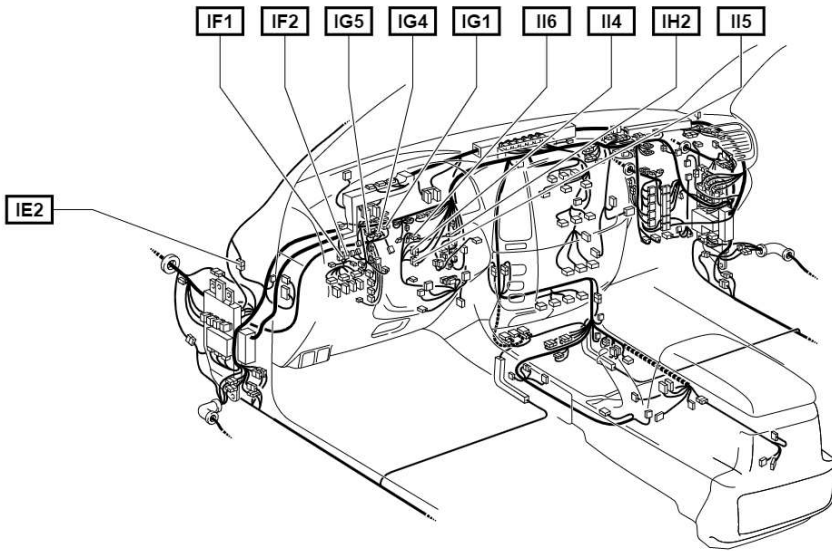
Code	Joining Wire Harness and Wire Harness (Connector Location)
IB1	Engine Room No.2 Wire and Dash Wire (Left Kick Panel)
IC3	Front Door LH Wire and Dash Wire (Left Kick Panel)
IC4	
ID4	
ID5	Dash Wire and Floor Wire (Left Kick Panel)
ID6	
ID7	

cardiagn.com

E ELECTRICAL WIRING ROUTING

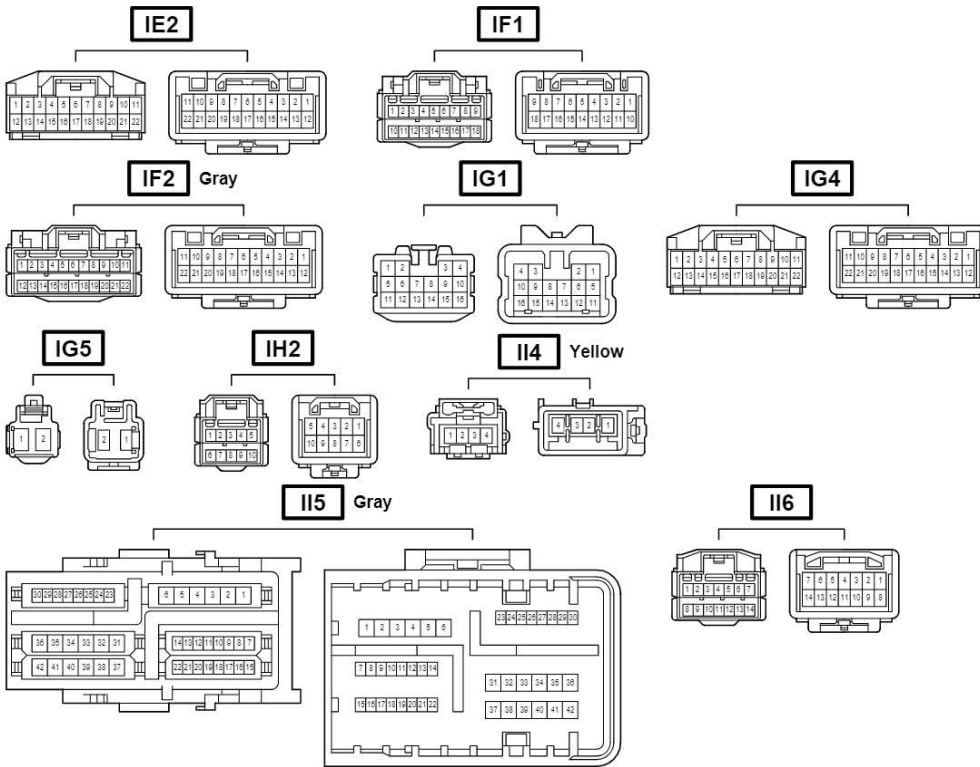
□ : Location of Connector Joining Wire Harness and Wire Harness

[LHD]



cardiagn.com

Connector Joining Wire Harness and Wire Harness



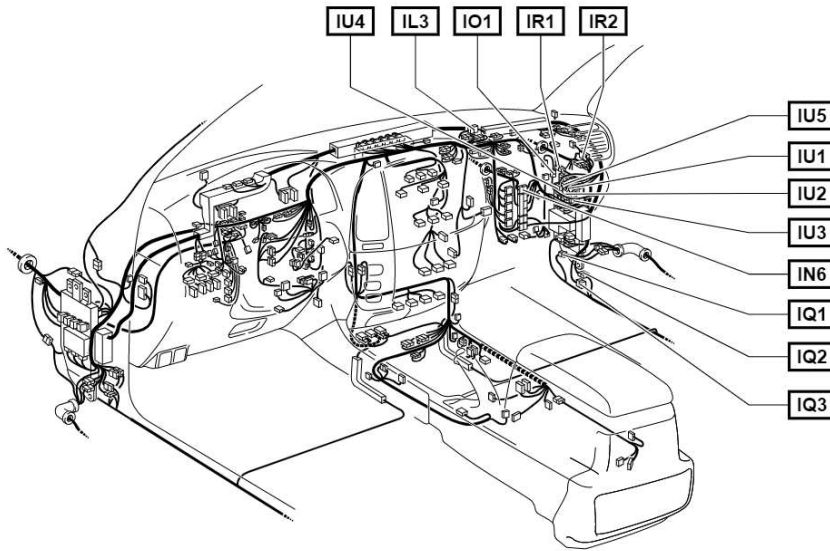
cardiagn.com

Code	Joining Wire Harness and Wire Harness (Connector Location)
IE2	Dash Wire and Roof Wire (Left Kick Panel)
IF1	Instrument Panel Integration Wire and Instrument Panel Wire (Left Side of Instrument Panel)
IF2	
IG1	
IG4	Engine Room No.2 Wire and Dash Wire (Behind the Combination Meter)
IG5	
IH2	Instrument Panel Integration Wire and Column Wire (Near the Steering Column)
II4	
II5	Dash Wire and Column Wire (Near the Steering Column)
II6	

E ELECTRICAL WIRING ROUTING

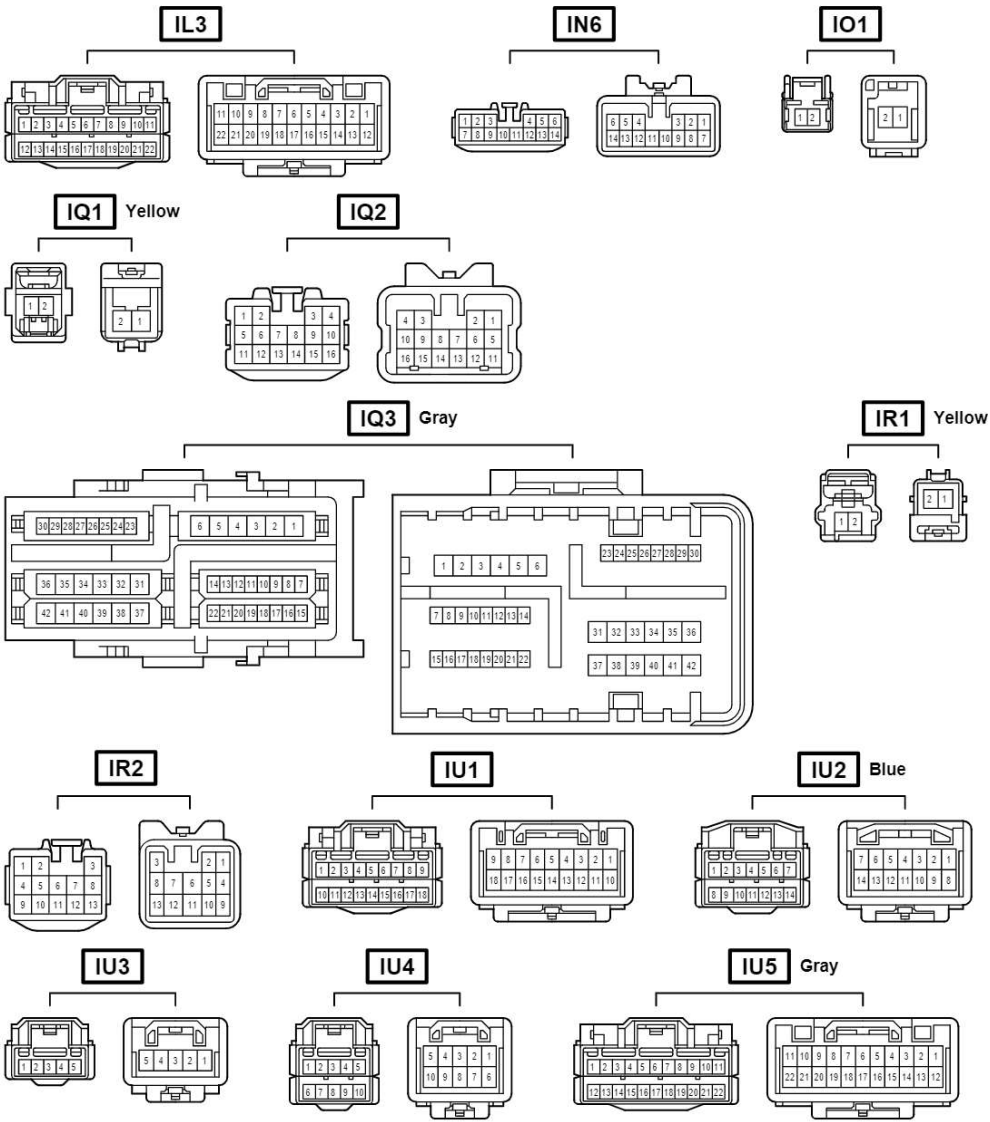
□ : Location of Connector Joining Wire Harness and Wire Harness

[LHD]



Code	Joining Wire Harness and Wire Harness (Connector Location)
IL3	Instrument Panel Integration Wire and Computer Wire (Instrument Panel Center)
IN6	Engine Wire and Dash Wire (Behind the Glove Box)
IO1	Instrument Panel Integration Wire and Lamp Wire (Behind the Glove Box)
IQ1	Dash Wire and Floor No.2 Wire (Right Kick Panel)
IQ2	
IQ3	
IR1	Engine Room No.2 Wire and Dash Wire (Right Kick Panel)
IR2	
IU1	Instrument Panel Integration Wire and Dash Wire (Behind the Glove Box)
IU2	
IU3	
IU4	
IU5	

Connector Joining Wire Harness and Wire Harness

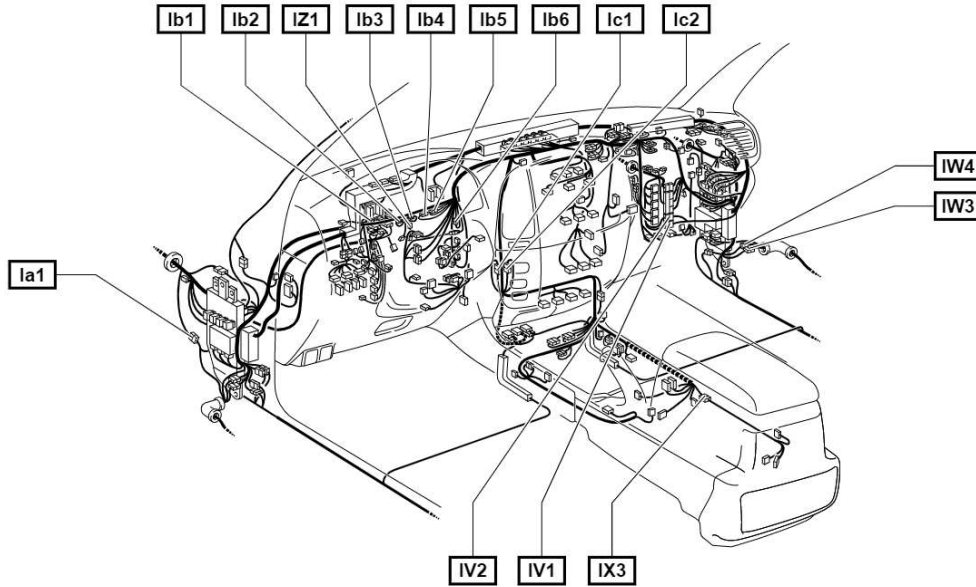


cardiagn.com

E ELECTRICAL WIRING ROUTING

□ : Location of Connector Joining Wire Harness and Wire Harness

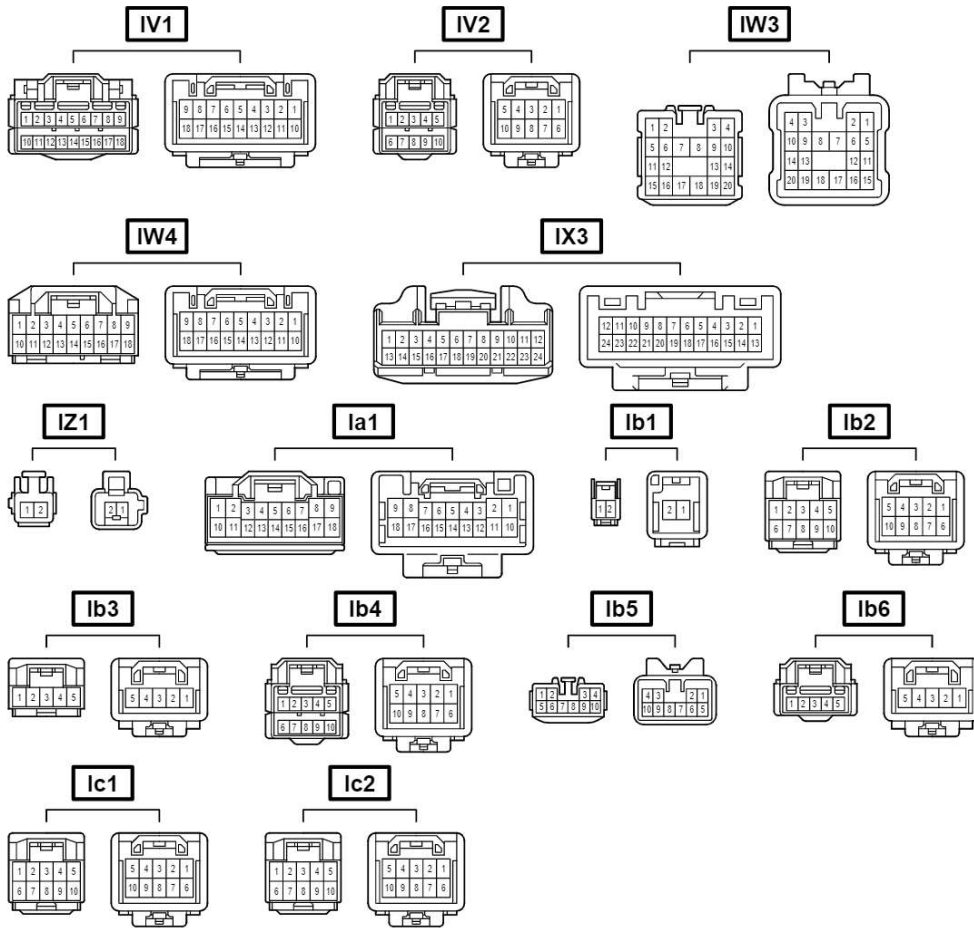
[LHD]



cardiagn.com

Code	Joining Wire Harness and Wire Harness (Connector Location)
IV1	Instrument Panel Integration Wire and Engine Wire (Behind the Glove Box)
IV2	
IW3	Front Door RH Wire and Dash Wire (Right Kick Panel)
IW4	
IX3	Rear Console Box Wire and Dash Wire (Left Side of Rear Console)
IZ1	Dash Wire and Sensor Wire (Behind the Combination Meter)
la1	Engine Room No.2 Wire and Floor Wire (Left Kick Panel)
lb1	Dash Wire and Dash Wire (Behind the Combination Meter)
lb2	
lb3	
lb4	
lb5	
lb6	
Ic1	Dash Wire and Dash Wire (Behind the Center Panel)
Ic2	

Connector Joining Wire Harness and Wire Harness

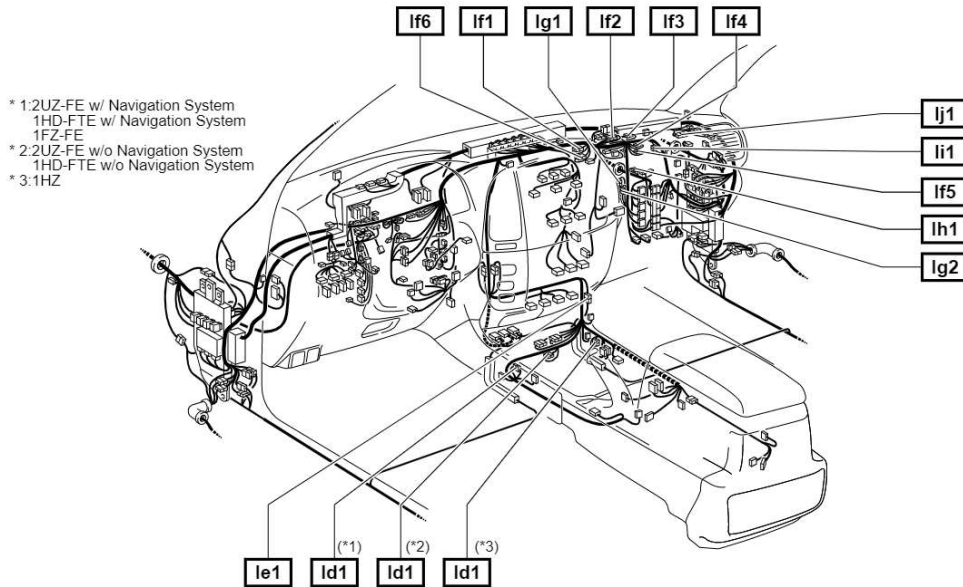


cardiagn.com

E ELECTRICAL WIRING ROUTING

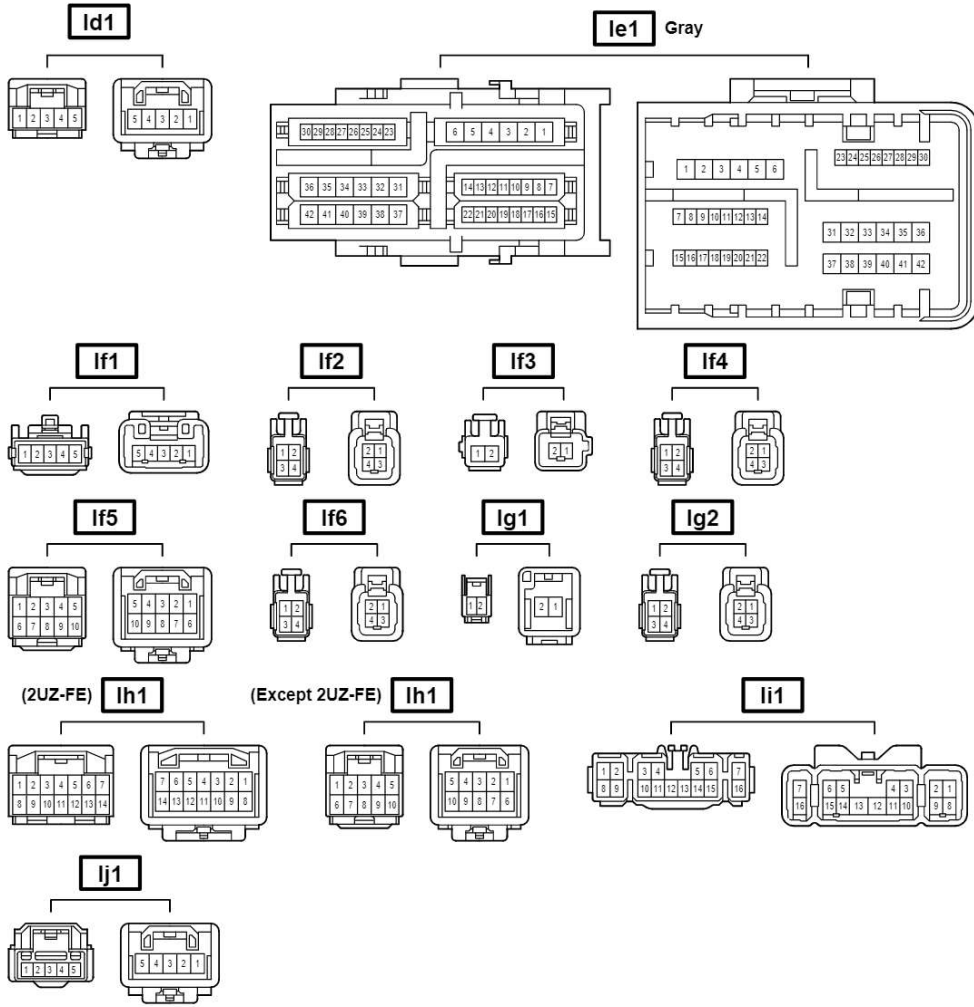
□ : Location of Connector Joining Wire Harness and Wire Harness

[LHD]



Code	Joining Wire Harness and Wire Harness (Connector Location)
Id1	Dash Wire and Dash Wire (Behind the Front Console)
Ie1	Dash Wire and Floor No.2 Wire (Right Side of Front Console)
If1	
If2	
If3	
If4	Dash Wire and Dash Wire (Instrument Panel Center)
If5	
If6	
Ig1	Dash Wire and Dash Wire (Behind the Glove Box)
Ig2	
Ih1	Engine Wire and Engine Wire (Behind the Glove Box)
Ii1	Dash Wire and Computer No.2 Wire (Behind the Glove Box)
Ij1	Instrument Panel Integration Wire and Instrument Panel No.3 Wire (Right Side of Instrument Panel)

Connector Joining Wire Harness and Wire Harness

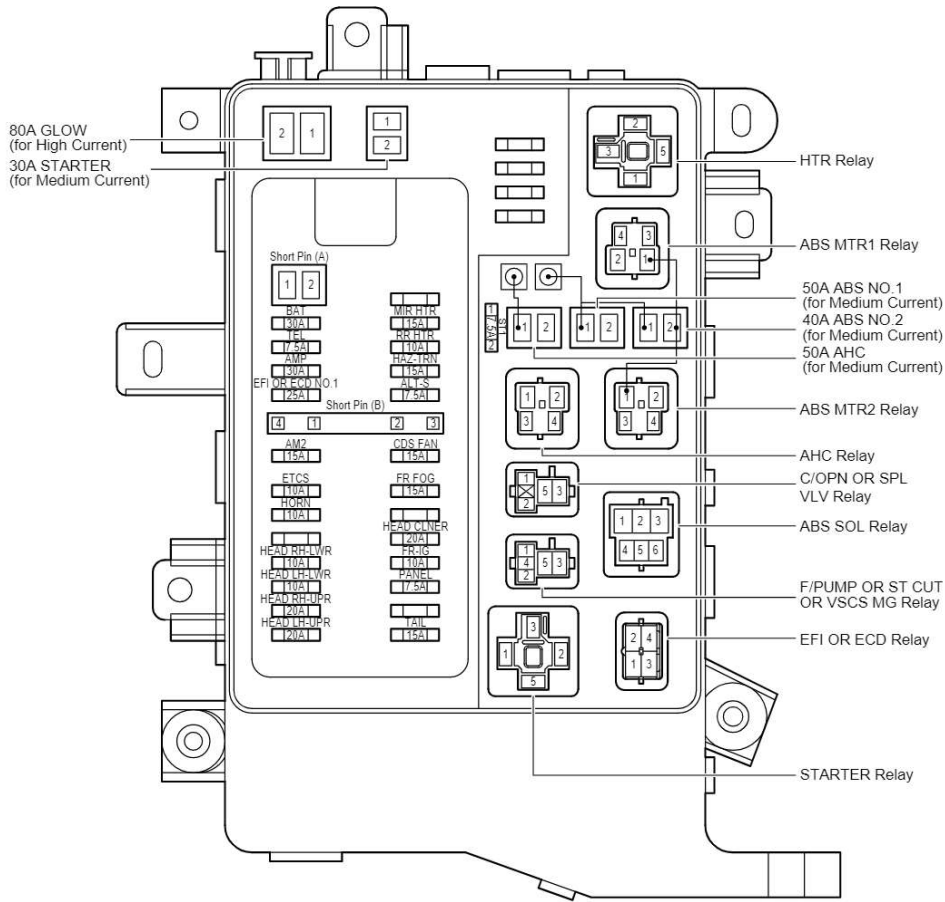


cardiagn.com

D RELAY LOCATIONS

○ : Engine Room J/B	Engine Compartment Left (See Page 8)
① : Engine Room R/B	

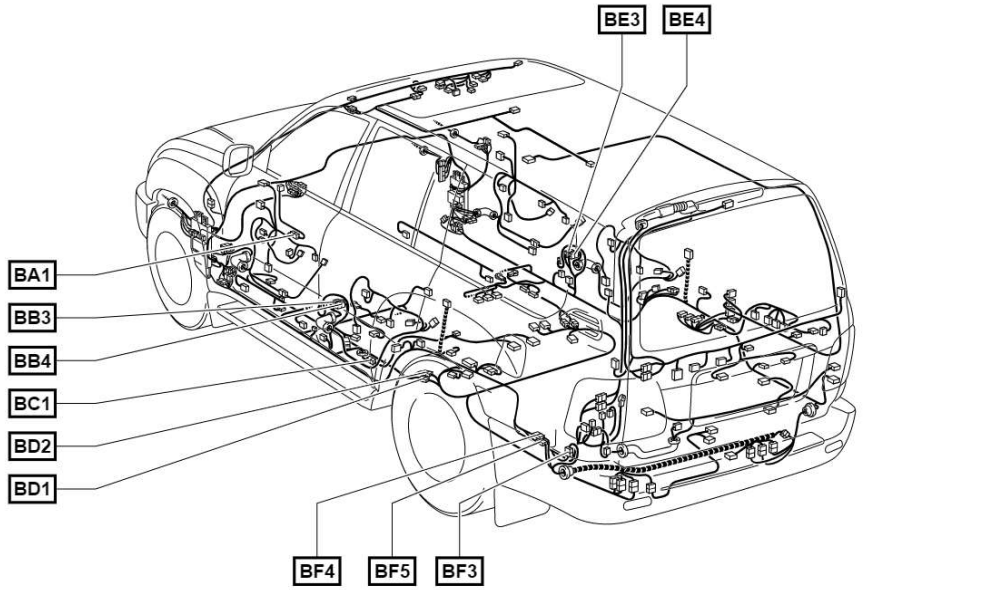
(Inner Circuit : See Page 16)



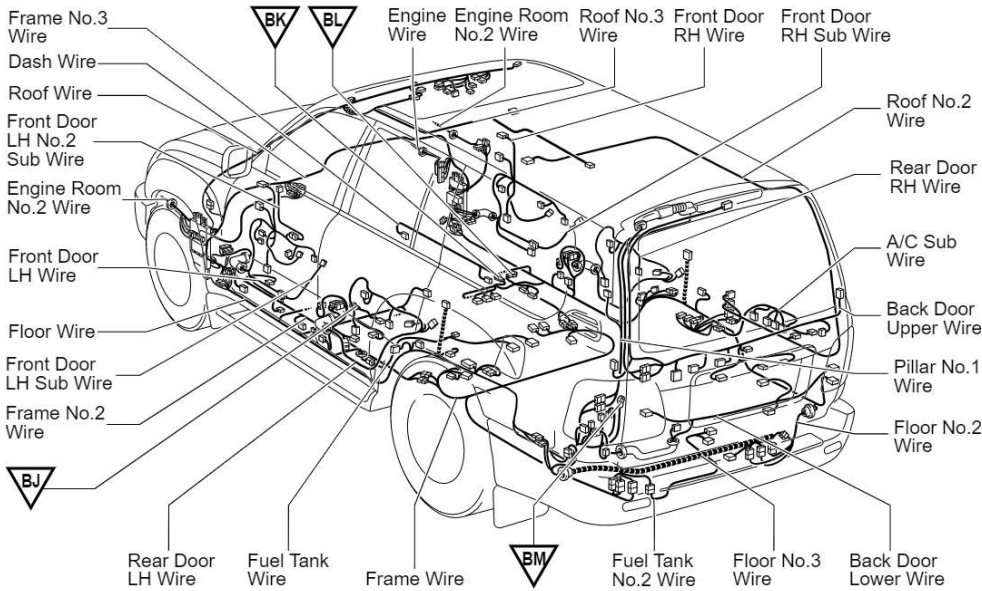
E ELECTRICAL WIRING ROUTING

□ : Location of Connector Joining Wire Harness and Wire Harness

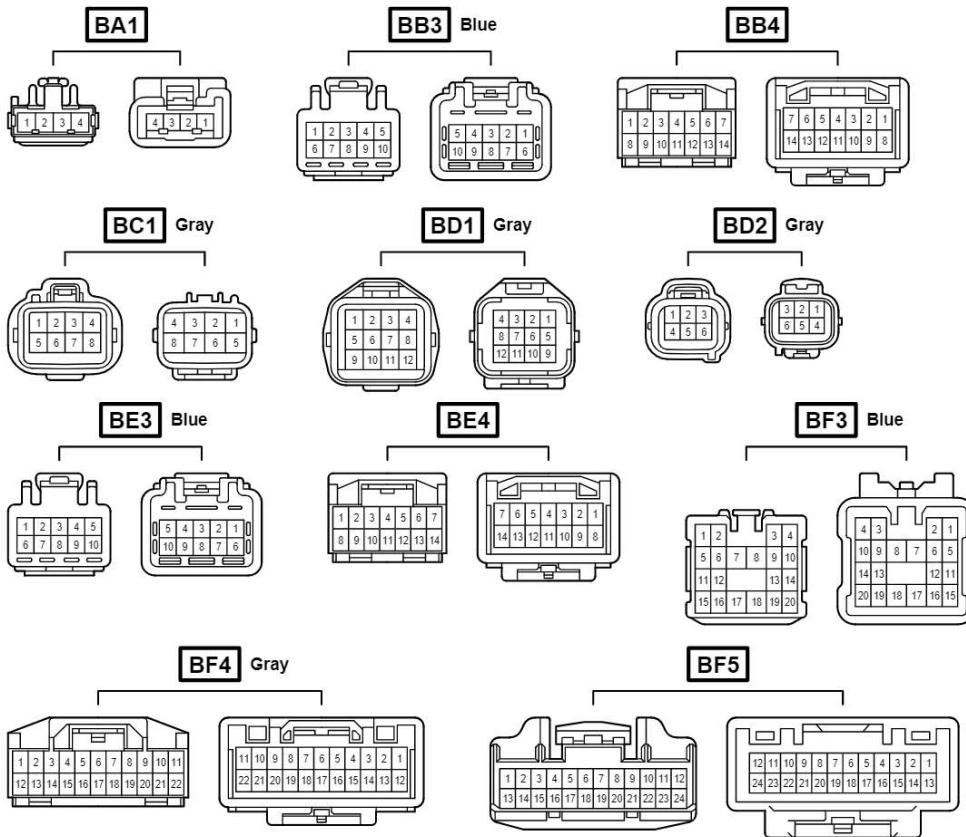
[LHD : Liftgate Type]



▽ : Location of Ground Points



Connector Joining Wire Harness and Wire Harness



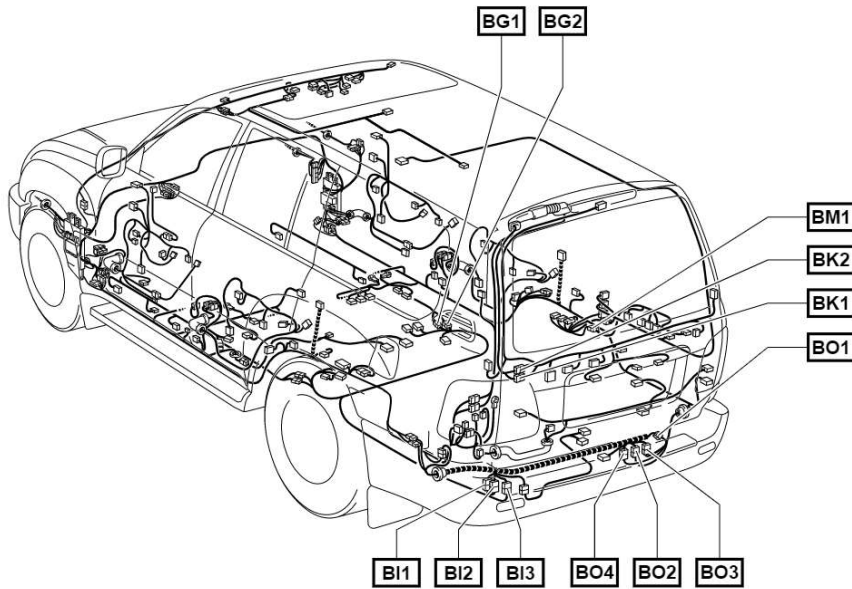
cardiagn.com

Code	Joining Wire Harness and Wire Harness (Connector Location)
BA1	Front Door LH Wire and Front Door LH No.2 Sub Wire (Front Door LH)
BB3	Rear Door LH Wire and Floor Wire (Left Side of Center Pillar)
BB4	
BC1	Floor Wire and Fuel Tank Wire (Near the Fuel Tank)
BD1	Frame No.2 Wire and Frame Wire (Near the Left Rear Suspension Support)
BD2	
BE3	Rear Door RH Wire and Floor No.2 Wire (Right Side of Center Pillar)
BE4	
BF3	
BF4	Floor No.3 Wire and Floor Wire (Left Rear Side Quarter Panel)
BF5	

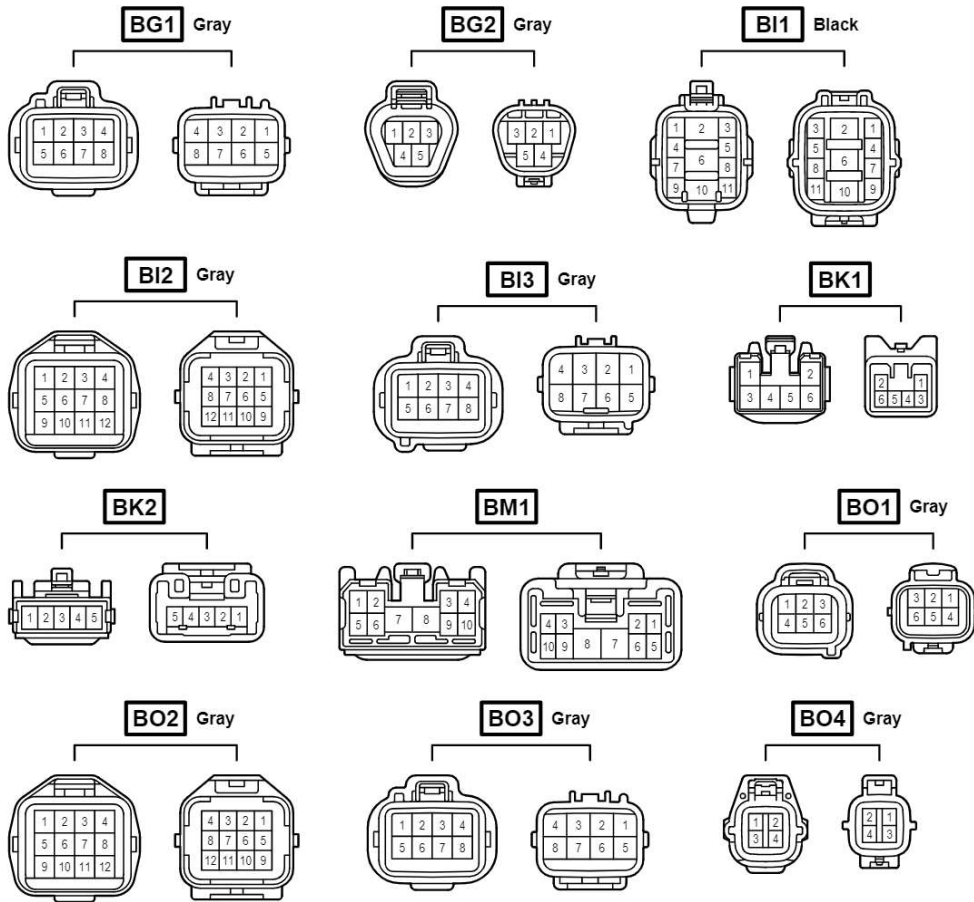
E ELECTRICAL WIRING ROUTING

□ : Location of Connector Joining Wire Harness and Wire Harness

[LHD : Liftgate Type]



Connector Joining Wire Harness and Wire Harness



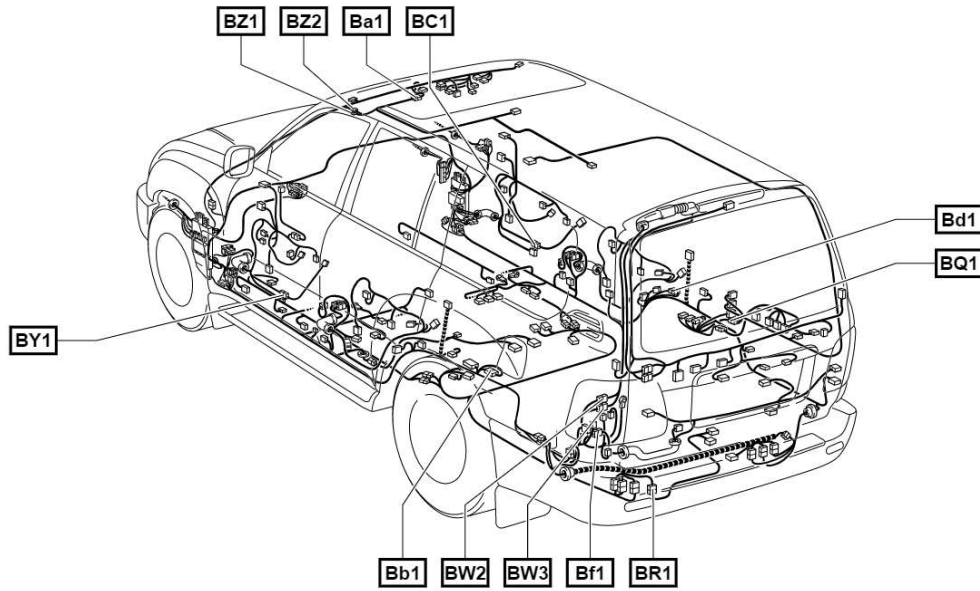
cardiagn.com

Code	Joining Wire Harness and Wire Harness (Connector Location)
BG1	Frame No.3 Wire and Frame Wire (Near the Right Rear Suspension Support)
BG2	
BI1	
BI2	Frame Wire and Floor No.3 Wire (Left Side of Rear Floor Crossmember)
BI3	
BK1	Pillar No.1 Wire and Back Door Upper Wire (Left Side of Back Door)
BK2	
BM1	Floor No.2 Wire and A/C Sub Wire (Right Rear Side Quarter Panel)
BO1	Floor No.2 Wire and Floor No.3 Wire (Right Side of Rear Floor Crossmember)
BO2	
BO3	
BO4	

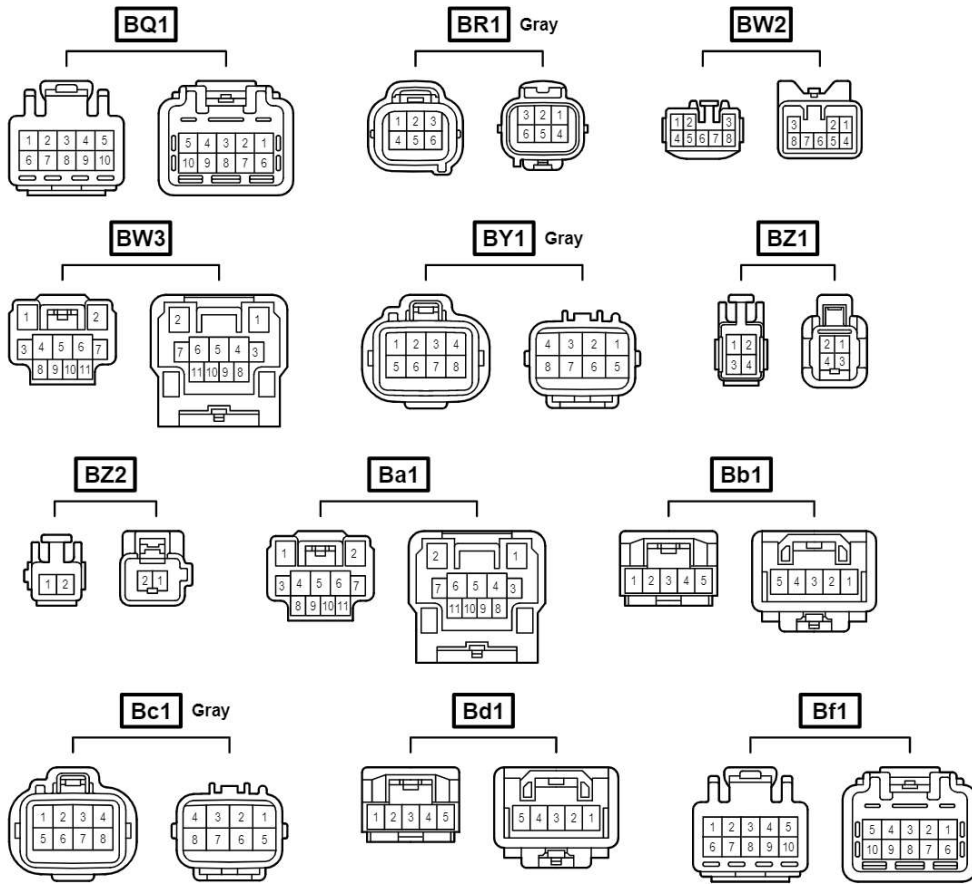
E ELECTRICAL WIRING ROUTING

□ : Location of Connector Joining Wire Harness and Wire Harness

[LHD : Liftgate Type]



Connector Joining Wire Harness and Wire Harness



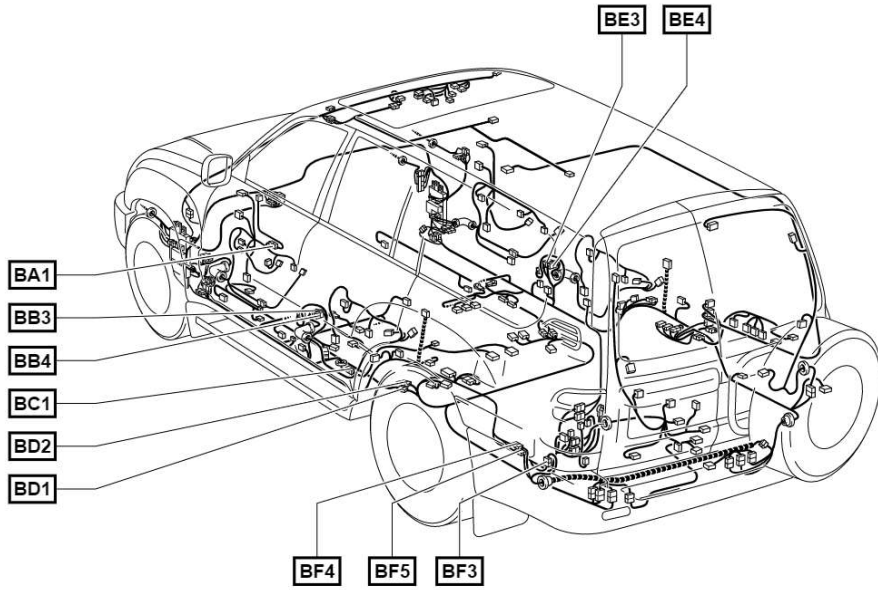
cardiagn.com

Code	Joining Wire Harness and Wire Harness (Connector Location)
BQ1	Floor No.2 Wire and Roof No.2 Wire (Right Rear Side Quarter Panel)
BR1	Fuel Tank No.2 Wire and Floor No.3 Wire (Left Side of Rear Floor Crossmember)
BW2	Pillar No.1 Wire and Floor Wire (Left Rear Side Quarter Panel)
BW3	
BY1	Front Door LH Sub Wire and Front Door LH Wire (Front Door LH)
BZ1	Roof No.3 Wire and Roof Wire (Front Side of Roof)
BZ2	
Ba1	Floor Wire and Floor Wire (Near the Left Rear Suspension Support)
Bb1	Floor Wire and Floor Wire (Near the Right Rear Suspension Support)
Bc1	Front Door RH Sub Wire and Front Door RH Wire (Front Door RH)
Bd1	Floor No.2 Wire and Floor No.2 Wire (Near the Right Rear Suspension Support)
Bf1	Back Door Lower Wire and Floor Wire (Left Rear Side Quarter Panel)

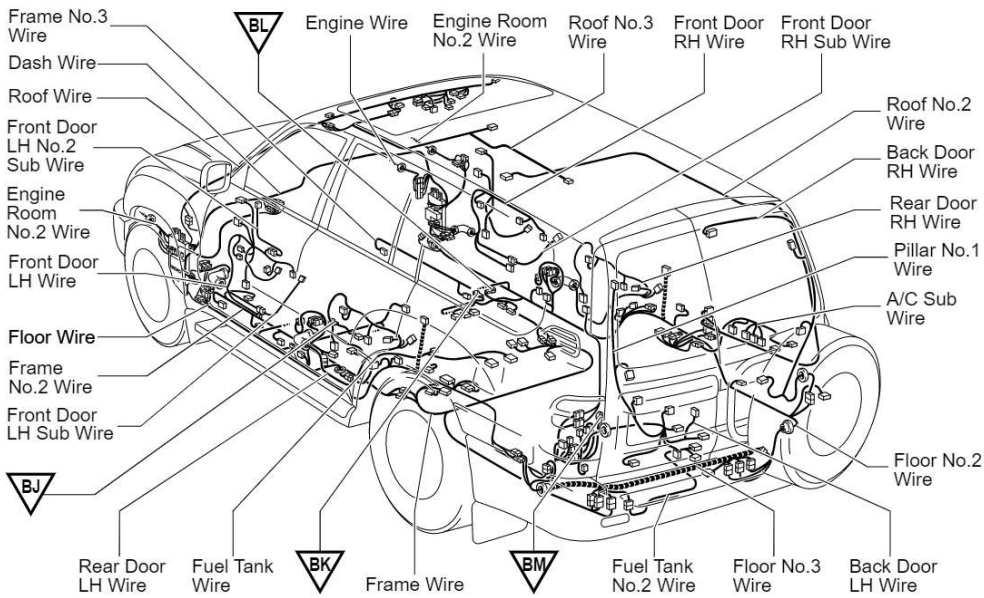
E ELECTRICAL WIRING ROUTING

☐ : Location of Connector Joining Wire Harness and Wire Harness

[LHD : Swing Type]

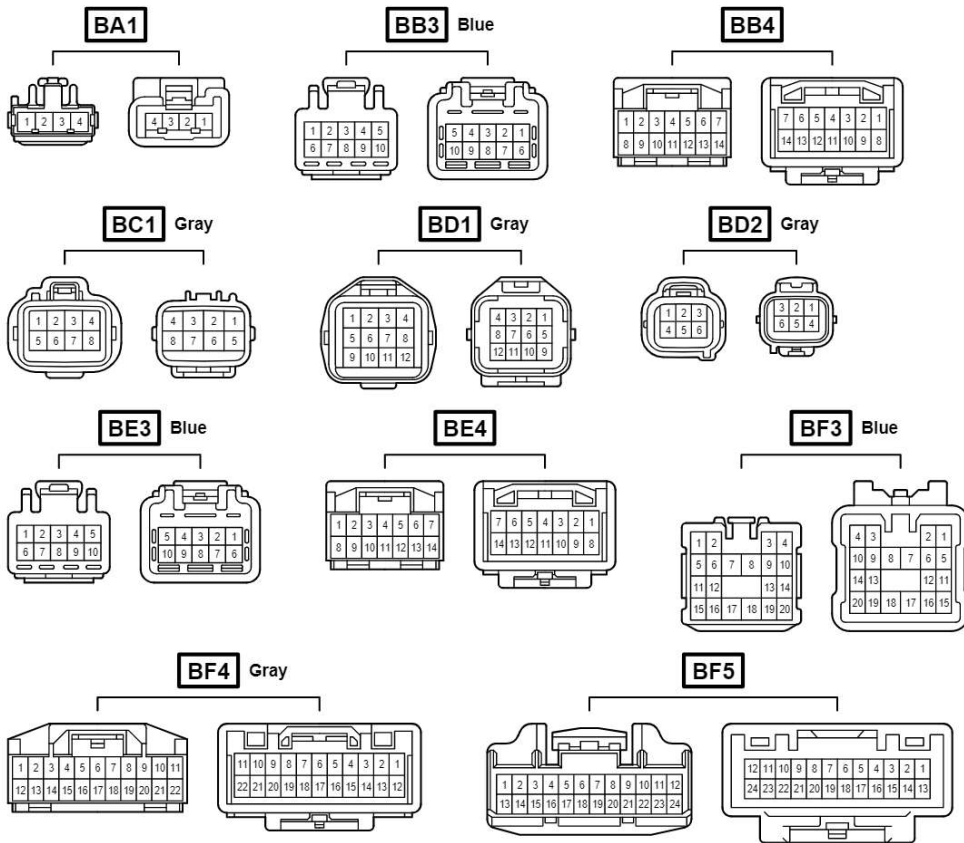


▽ : Location of Ground Points



cardiagn.com

Connector Joining Wire Harness and Wire Harness



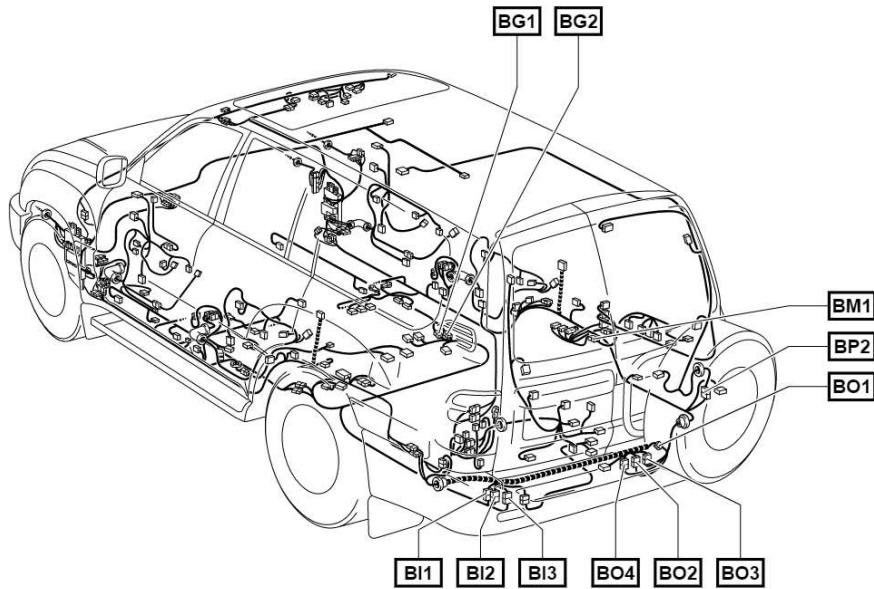
cardiagn.com

Code	Joining Wire Harness and Wire Harness (Connector Location)
BA1	Front Door LH Wire and Front Door LH No.2 Sub Wire (Front Door LH)
BB3	Rear Door LH Wire and Floor Wire (Left Side of Center Pillar)
BB4	
BC1	Floor Wire and Fuel Tank Wire (Near the Fuel Tank)
BD1	
BD2	Frame No.2 Wire and Frame Wire (Near the Left Rear Suspension Support)
BE3	
BE4	Rear Door RH Wire and Floor No.2 Wire (Right Side of Center Pillar)
BF3	
BF4	Floor No.3 Wire and Floor Wire (Left Rear Side Quarter Panel)
BF5	

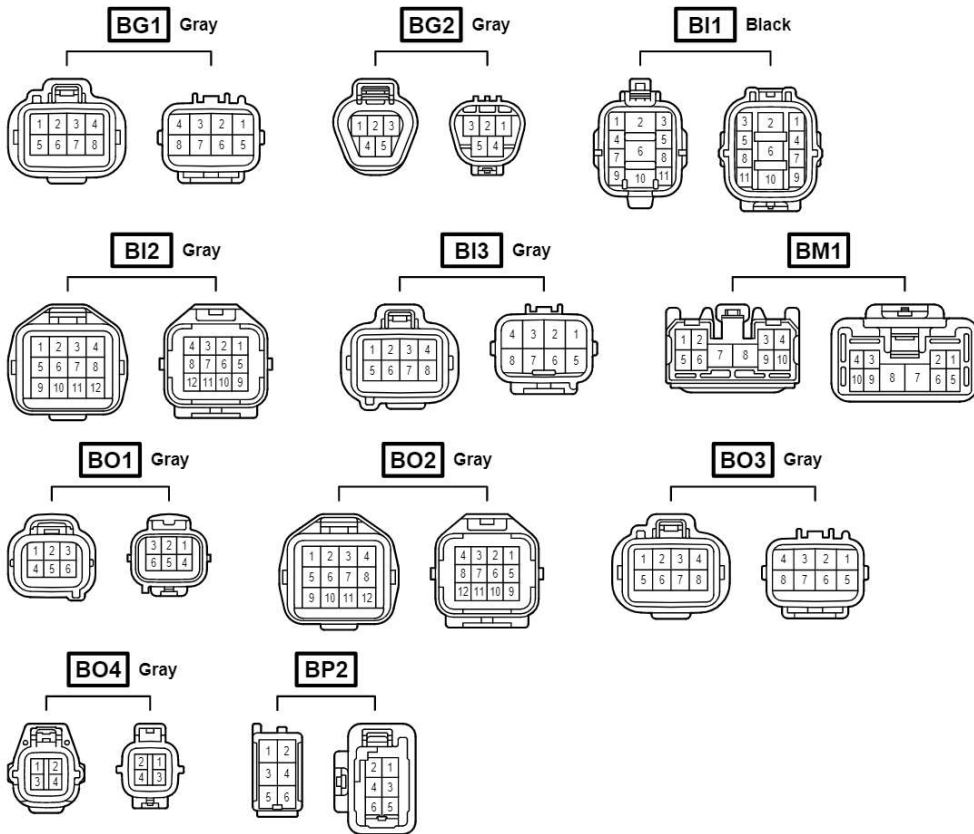
E ELECTRICAL WIRING ROUTING

□ : Location of Connector Joining Wire Harness and Wire Harness

[LHD : Swing Type]

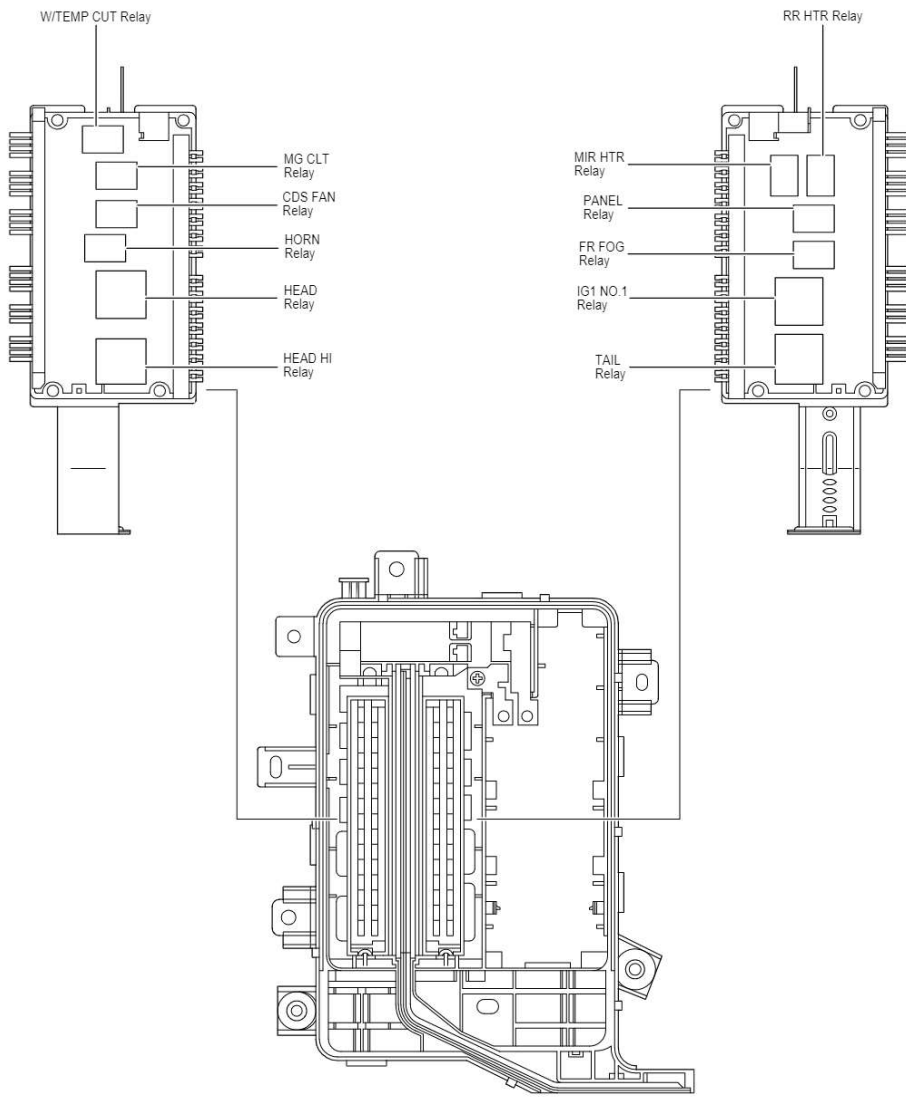


Connector Joining Wire Harness and Wire Harness



cardiagn.com

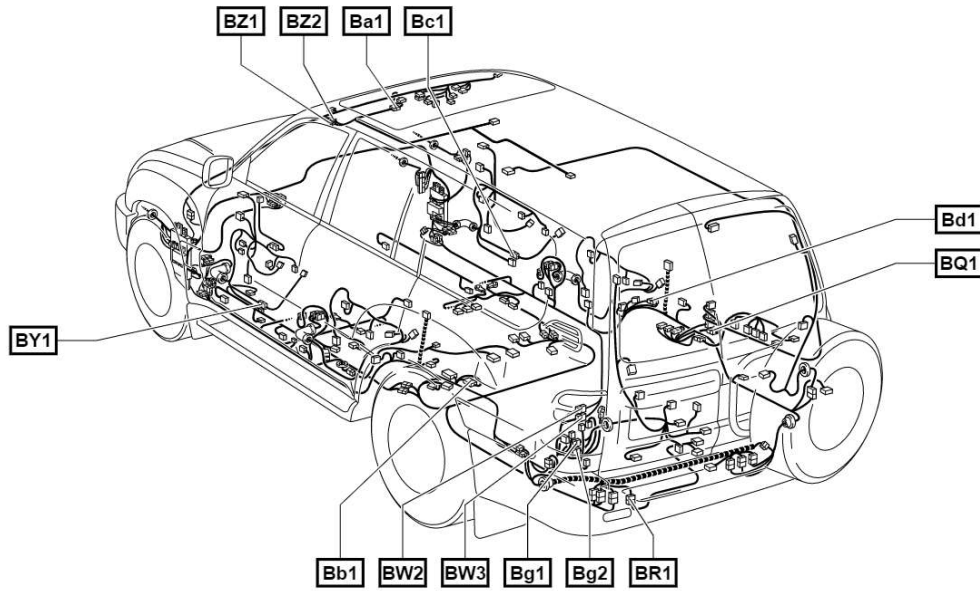
Code	Joining Wire Harness and Wire Harness (Connector Location)
BG1	Frame No.3 Wire and Frame Wire (Near the Right Rear Suspension Support)
BG2	
BI1	Frame Wire and Floor No.3 Wire (Left Side of Rear Floor Crossmember)
BI2	
BI3	
BM1	Floor No.2 Wire and A/C Sub Wire (Right Rear Side Quarter Panel)
BO1	Floor No.2 Wire and Floor No.3 Wire (Right Side of Rear Floor Crossmember)
BO2	
BO3	
BO4	
BP2	Back Door RH Wire and Floor No.2 Wire (Back Door RH)



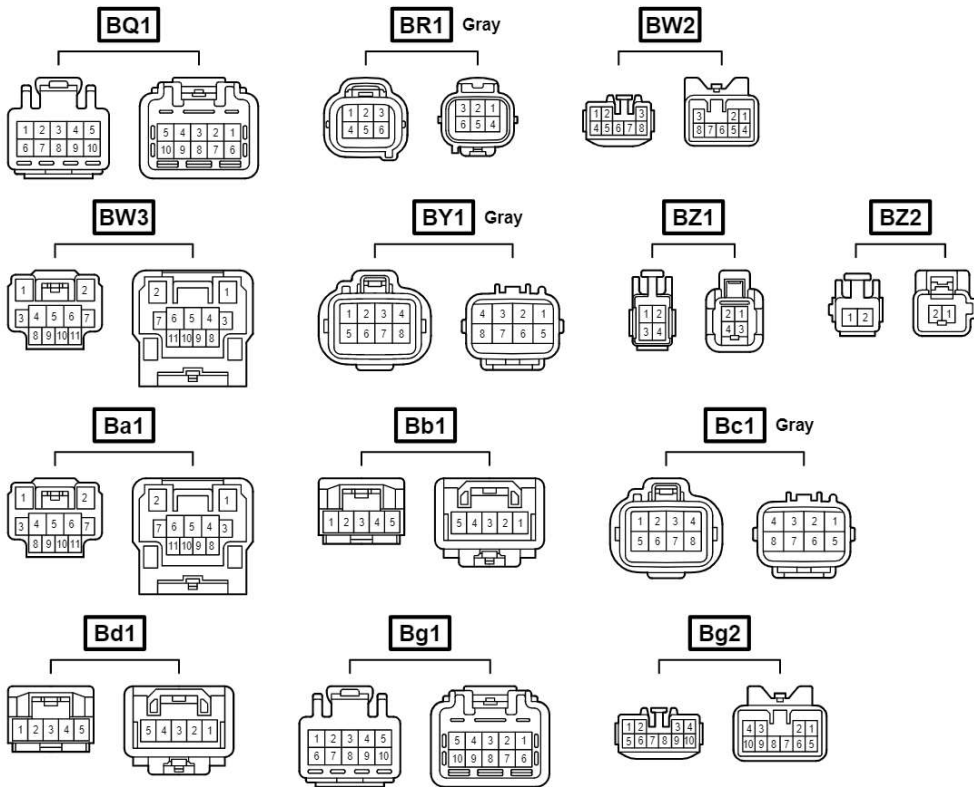
E ELECTRICAL WIRING ROUTING

□ : Location of Connector Joining Wire Harness and Wire Harness

[LHD : Swing Type]



Connector Joining Wire Harness and Wire Harness



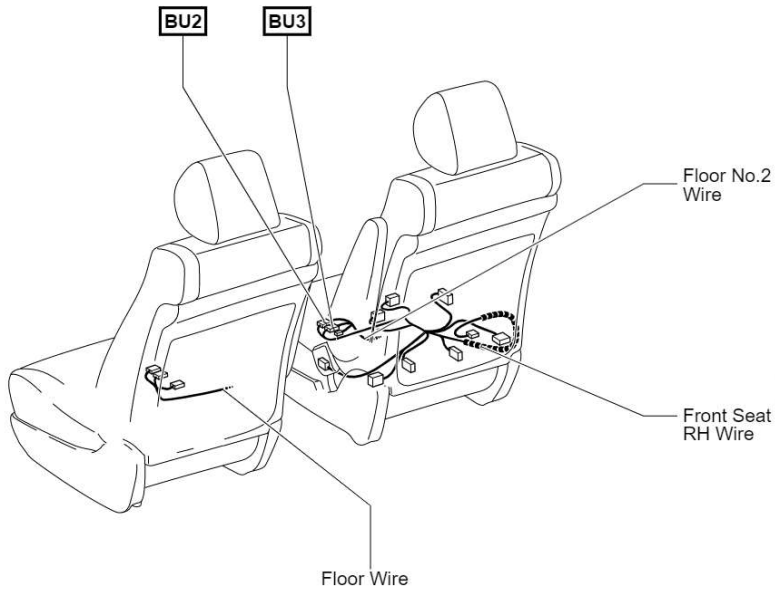
cardiagn.com

Code	Joining Wire Harness and Wire Harness (Connector Location)
BQ1	Floor No.2 Wire and Roof No.2 Wire (Right Rear Side Quarter Panel)
BR1	Fuel Tank No.2 Wire and Floor No.3 Wire (Left Side of Rear Floor Crossmember)
BW2	Pillar No.1 Wire and Floor Wire (Left Rear Side Quarter Panel)
BW3	
BY1	Front Door LH Sub Wire and Front Door LH Wire (Front Door LH)
BZ1	Roof No.3 Wire and Roof Wire (Front Side of Roof)
BZ2	
Ba1	Floor Wire and Floor Wire (Near the Left Rear Suspension Support)
Bb1	
Bc1	Front Door RH Sub Wire and Front Door RH Wire (Front Door RH)
Bd1	Floor No.2 Wire and Floor No.2 Wire (Near the Right Rear Suspension Support)
Bg1	Back Door LH Wire and Floor Wire (Left Rear Side Quarter Panel)
Bg2	

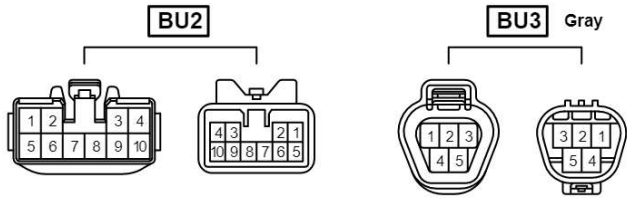
E ELECTRICAL WIRING ROUTING

□ : Location of Connector Joining Wire Harness and Wire Harness

[LHD : w/ Seat ECU]



Connector Joining Wire Harness and Wire Harness

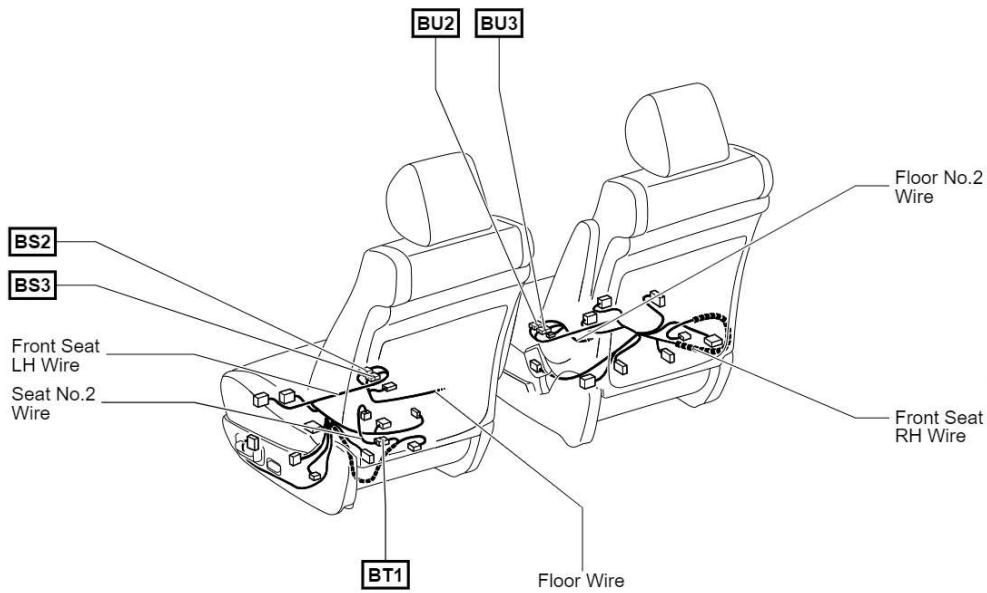


Code	Joining Wire Harness and Wire Harness (Connector Location)
BU2	Floor No.2 Wire and Front Seat RH Wire (Front Side Under the Front Passenger's Seat)
BU3	

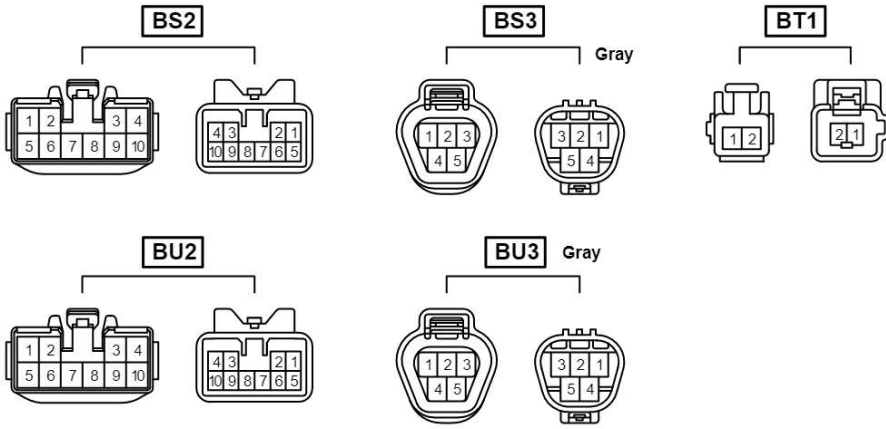
E ELECTRICAL WIRING ROUTING

□ : Location of Connector Joining Wire Harness and Wire Harness

[LHD : w/o Seat ECU]



Connector Joining Wire Harness and Wire Harness



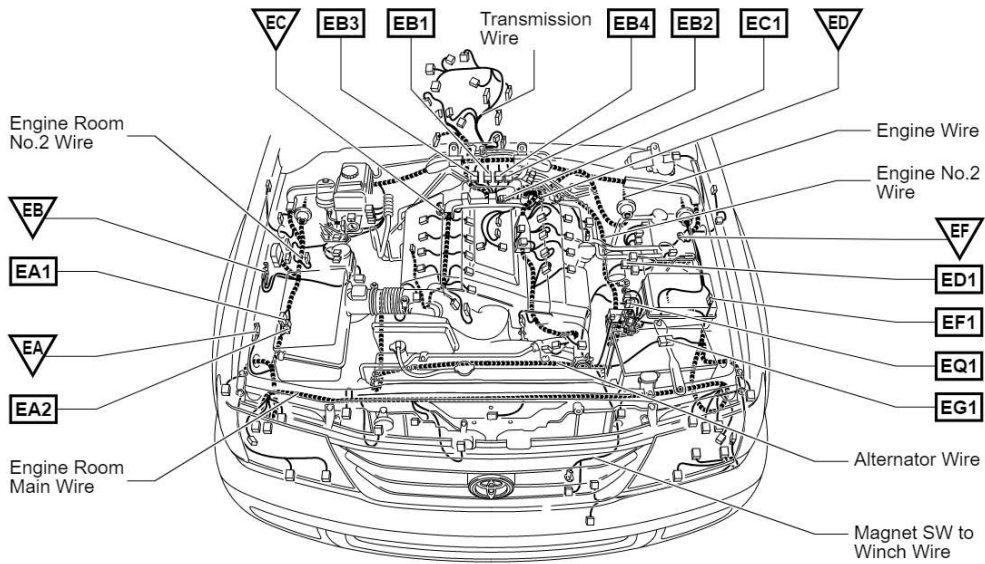
Code	Joining Wire Harness and Wire Harness (Connector Location)
BS2	Floor Wire and Front Seat LH Wire (Front Side Under the Driver's Seat)
BS3	Floor Wire and Front Seat LH Wire (Front Side Under the Driver's Seat)
BT1	Seat No.2 Wire and Front Seat LH Wire (Rear Side Under the Driver's Seat)
BU2	Floor No.2 Wire and Front Seat RH Wire (Front Side Under the Front Passenger's Seat)
BU3	Floor No.2 Wire and Front Seat RH Wire (Front Side Under the Front Passenger's Seat)

E ELECTRICAL WIRING ROUTING

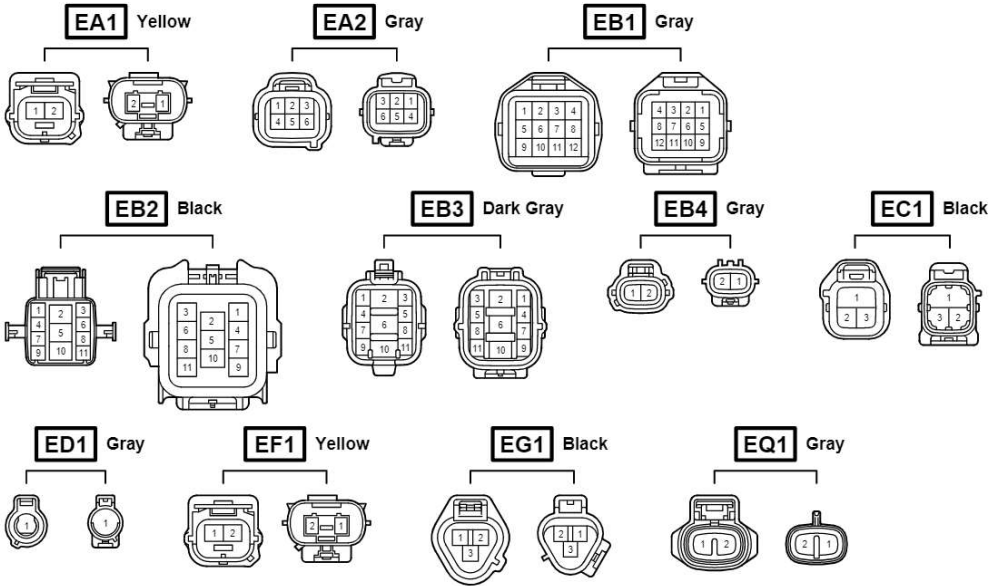
□ : Location of Connector Joining Wire Harness and Wire Harness

▽ : Location of Ground Points

[RHD : 2UZ-FE]



Connector Joining Wire Harness and Wire Harness



Code	Joining Wire Harness and Wire Harness (Connector Location)
EA1	Engine Room Main Wire and Engine Room No.2 Wire (Engine Compartment Right)
EA2	
EB1	
EB2	Engine Wire and Transmission Wire (On the Transmission)
EB3	
EB4	
EC1	Engine No.2 Wire and Engine Wire (Rear Side of Intake Manifold)
ED1	Engine No.2 Wire and Engine Room No.2 Wire (Near the Engine Room J/B)
EF1	Engine Room No.2 Wire and Engine Room Main Wire (Under the Engine Room J/B)
EG1	Engine Room Main Wire and Alternator Wire (Near the Battery)
EQ1	Engine Room No.2 Wire and Magnet SW to Winch Wire (Near the Engine Room J/B)

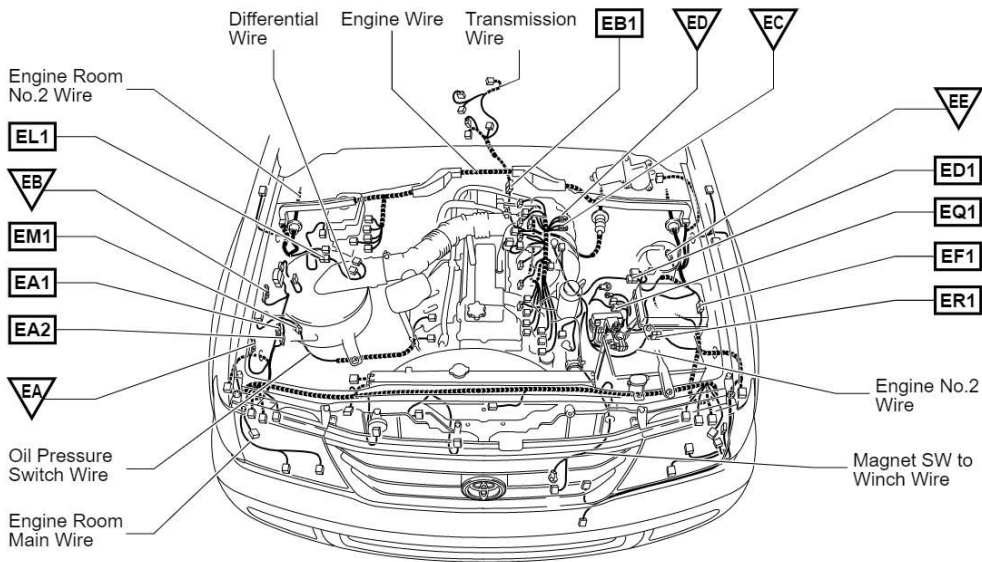
cardiagn.com

E ELECTRICAL WIRING ROUTING

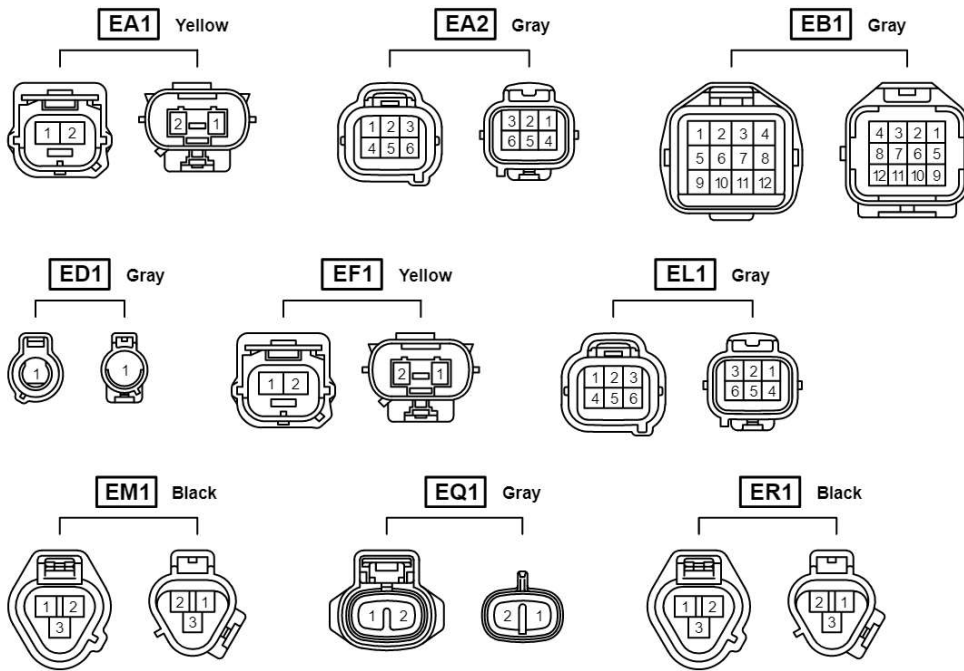
□ : Location of Connector Joining Wire Harness and Wire Harness

▽ : Location of Ground Points

[RHD : 1FZ-FE]



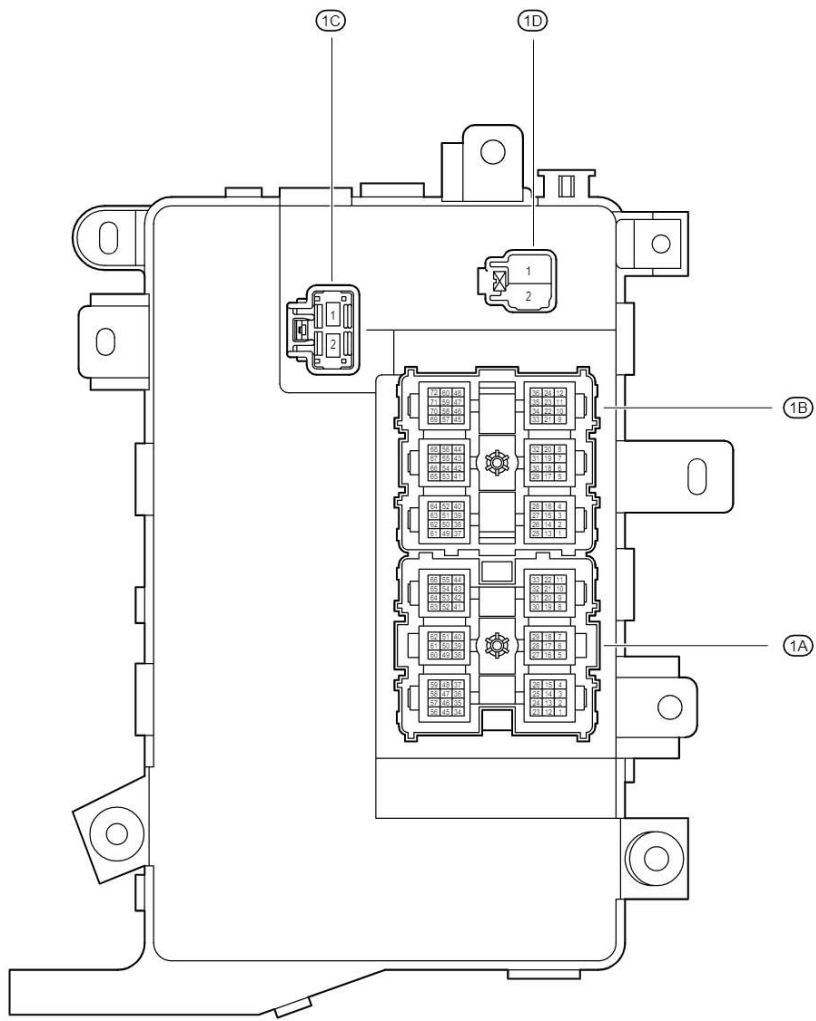
Connector Joining Wire Harness and Wire Harness



Code	Joining Wire Harness and Wire Harness (Connector Location)
EA1	Engine Room Main Wire and Engine Room No.2 Wire (Engine Compartment Right)
EA2	Engine Room No.2 Wire and Engine Room Main Wire (Under the Engine Room J/B)
EB1	Engine Wire and Transmission Wire (On the Transmission)
ED1	Engine No.2 Wire and Engine Room No.2 Wire (Near the Engine Room J/B)
EF1	Engine Room No.2 Wire and Engine Room Main Wire (Under the Engine Room J/B)
EL1	Engine Room No.2 Wire and Differential Wire (Engine Compartment Right)
EM1	Oil Pressure Switch Wire and Engine Room No.2 Wire (Engine Compartment Right)
EQ1	Engine Room No.2 Wire and Magnet SW to Winch Wire (Near the Engine Room J/B)
ER1	Engine Room Main Wire and Engine No.2 Wire (Near the Battery)

D RELAY LOCATIONS

○ : Engine Room J/B Engine Compartment Left (See Page 8)
(Inner Circuit : See Page 16)

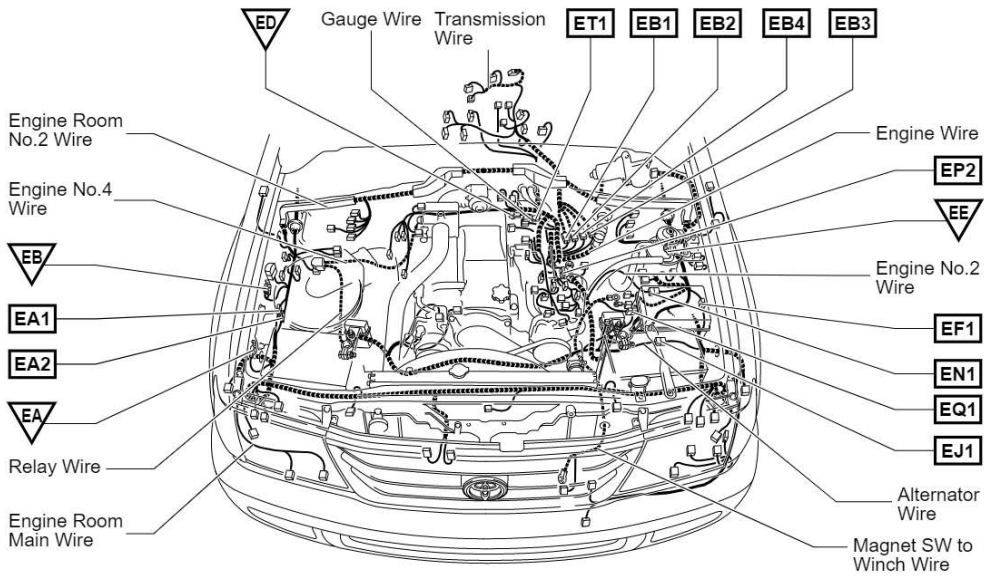


E ELECTRICAL WIRING ROUTING

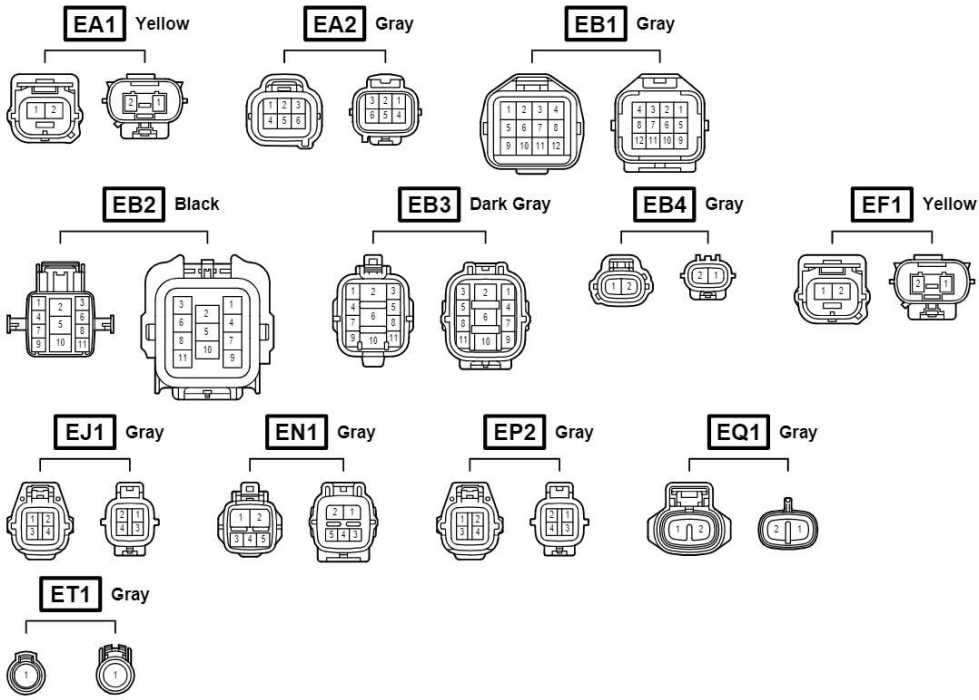
□ : Location of Connector Joining Wire Harness and Wire Harness

▽ : Location of Ground Points

[RHD : 1HD-FTE]



Connector Joining Wire Harness and Wire Harness



Code	Joining Wire Harness and Wire Harness (Connector Location)
EA1	Engine Room Main Wire and Engine Room No.2 Wire (Engine Compartment Right)
EA2	
EB1	
EB2	Engine Wire and Transmission Wire (On the Transmission)
EB3	
EB4	
EF1	Engine Room No.2 Wire and Engine Room Main Wire (Under the Engine Room J/B)
EJ1	Engine Room Main Wire and Alternator Wire (Near the Battery)
EN1	Engine Room No.2 Wire and Engine No.2 Wire (Near the Engine Room J/B)
EP2	Engine Wire and Engine No.2 Wire (On the Transmission)
EQ1	Engine Room No.2 Wire and Magnet SW to Winch Wire (Near the Engine Room J/B)
ET1	Engine Wire and Gauge Wire (Rear Bank of Left Cylinder Head)

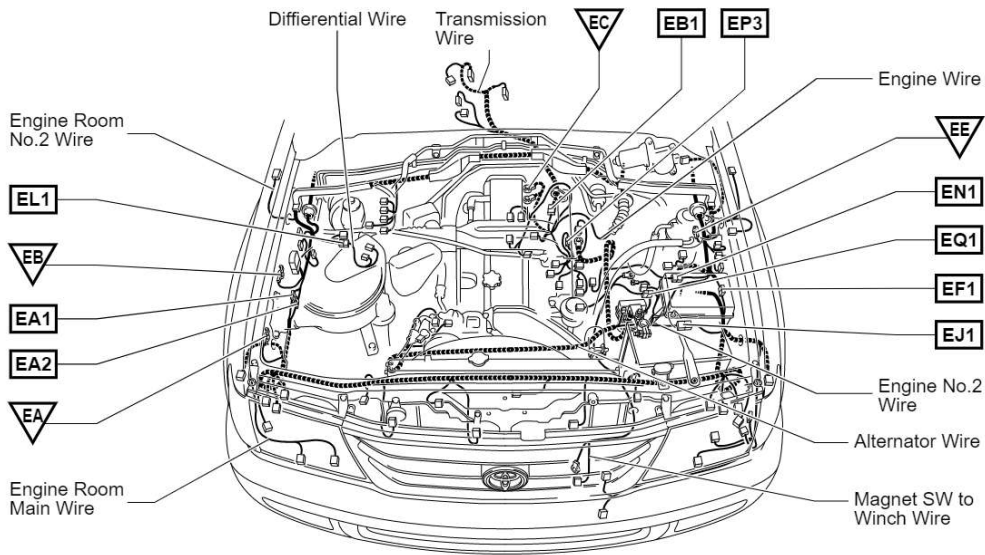
cardiagn.com

E ELECTRICAL WIRING ROUTING

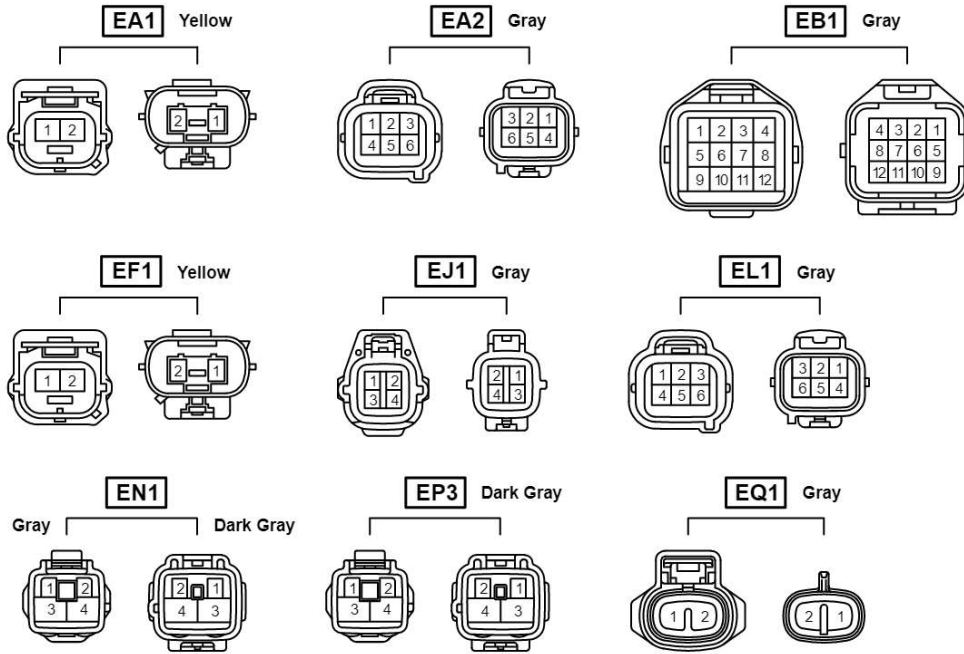
□ : Location of Connector Joining Wire Harness and Wire Harness

▽ : Location of Ground Points

[RHD : 1HZ]



Connector Joining Wire Harness and Wire Harness

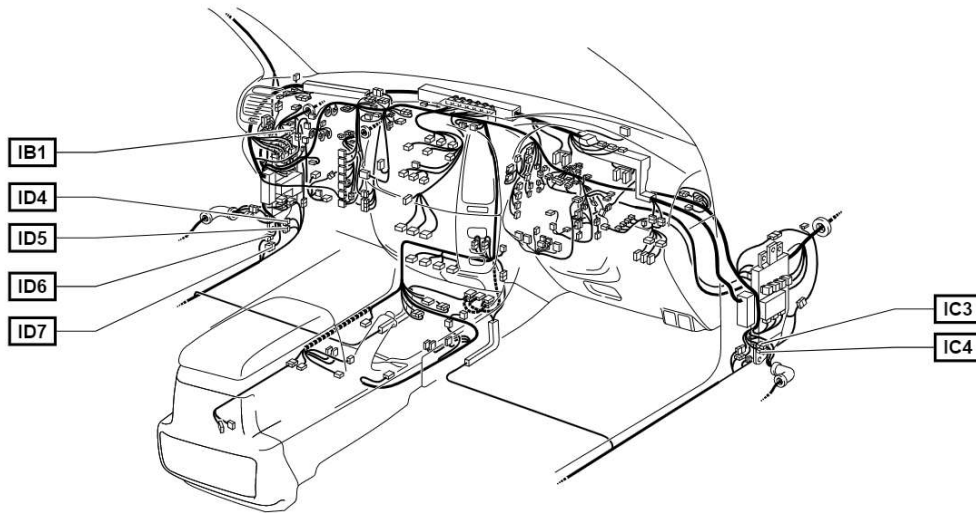


Code	Joining Wire Harness and Wire Harness (Connector Location)
EA1	Engine Room Main Wire and Engine Room No.2 Wire (Engine Compartment Right)
EA2	Engine Wire and Transmission Wire (On the Transmission)
EB1	Engine Wire and Transmission Wire (On the Transmission)
EF1	Engine Room No.2 Wire and Engine Room Main Wire (Under the Engine Room J/B)
EJ1	Engine Room Main Wire and Alternator Wire (Near the Battery)
EL1	Engine Room No.2 Wire and Differential Wire (Engine Compartment Right)
EN1	Engine Room No.2 Wire and Engine No.2 Wire (Near the Engine Room J/B)
EP3	Engine Wire and Engine No.2 Wire (On the Transmission)
EQ1	Engine Room No.2 Wire and Magnet SW to Winch Wire (Near the Engine Room J/B)

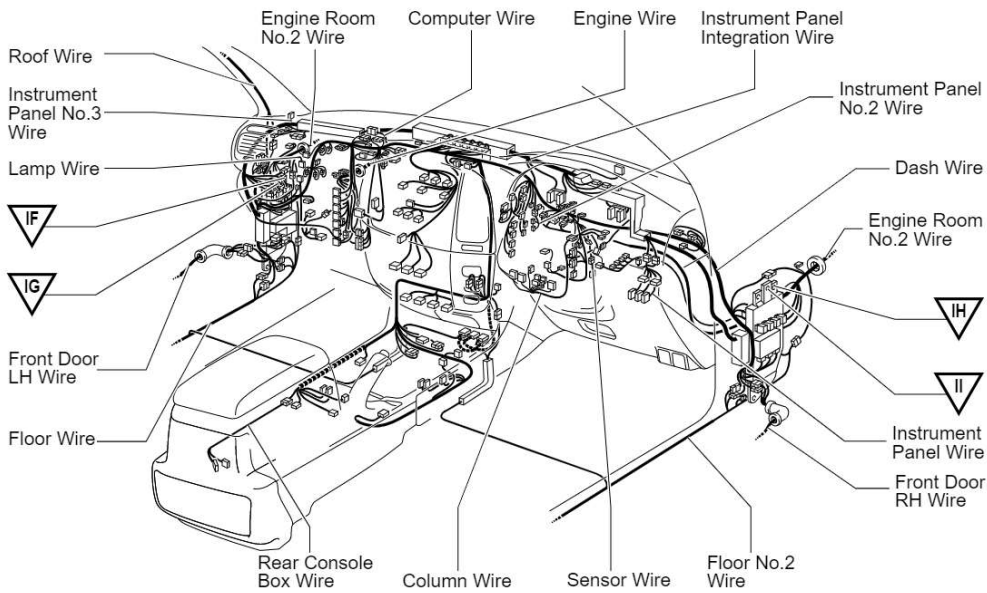
E ELECTRICAL WIRING ROUTING

☐ : Location of Connector Joining Wire Harness and Wire Harness

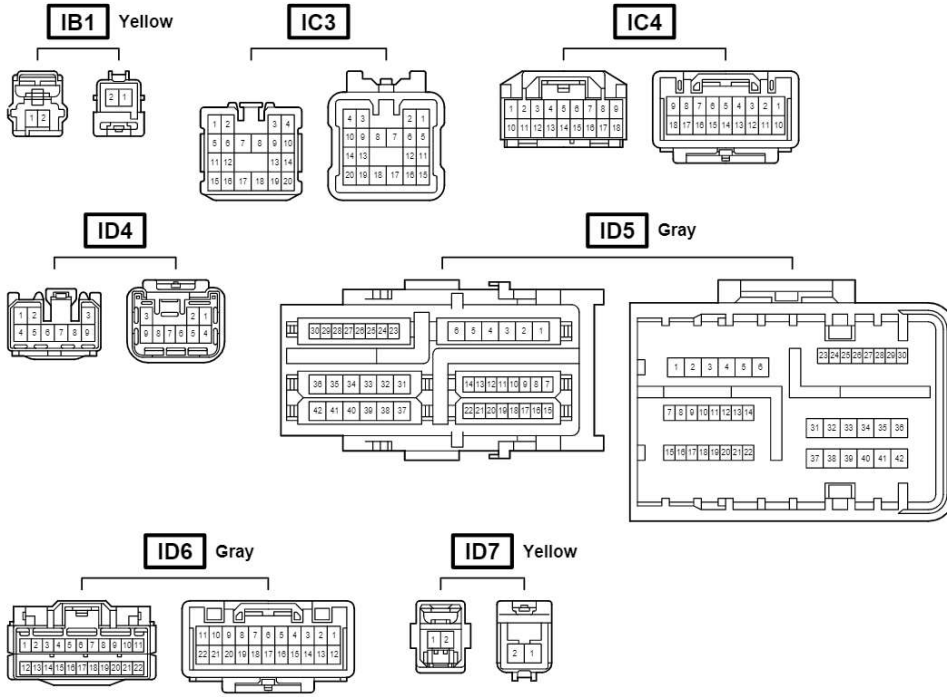
[RHD]



▽ : Location of Ground Points



Connector Joining Wire Harness and Wire Harness



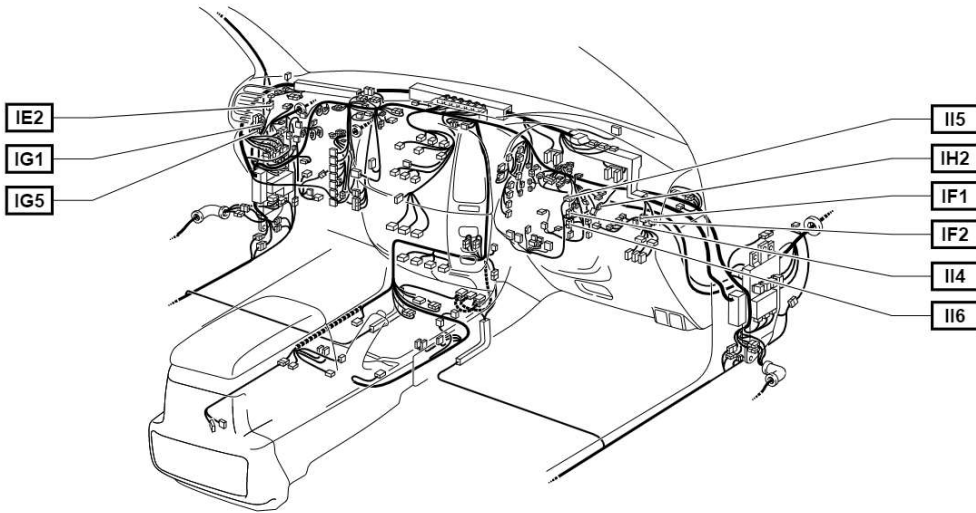
Code	Joining Wire Harness and Wire Harness (Connector Location)
IB1	Engine Room No.2 Wire and Dash Wire (Left Kick Panel)
IC3	Front Door RH Wire and Dash Wire (Right Kick Panel)
IC4	
ID4	Dash Wire and Floor Wire (Left Kick Panel)
ID5	
ID6	
ID7	

cardiagn.com

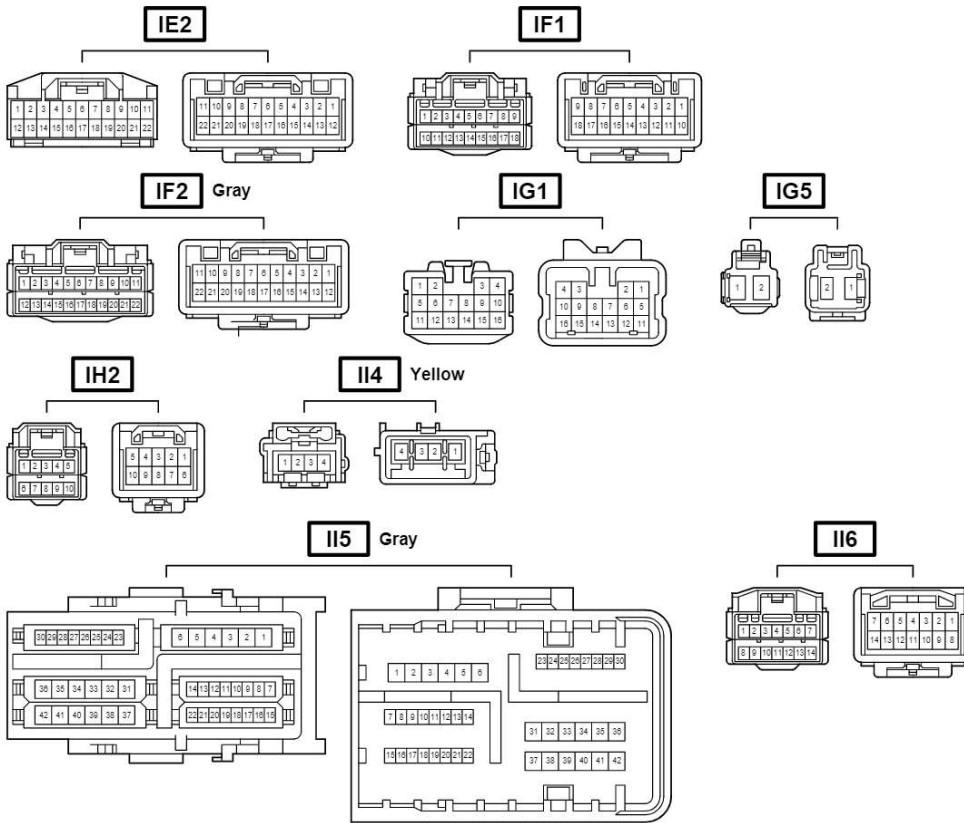
E ELECTRICAL WIRING ROUTING

□ : Location of Connector Joining Wire Harness and Wire Harness

[RHD]



Connector Joining Wire Harness and Wire Harness



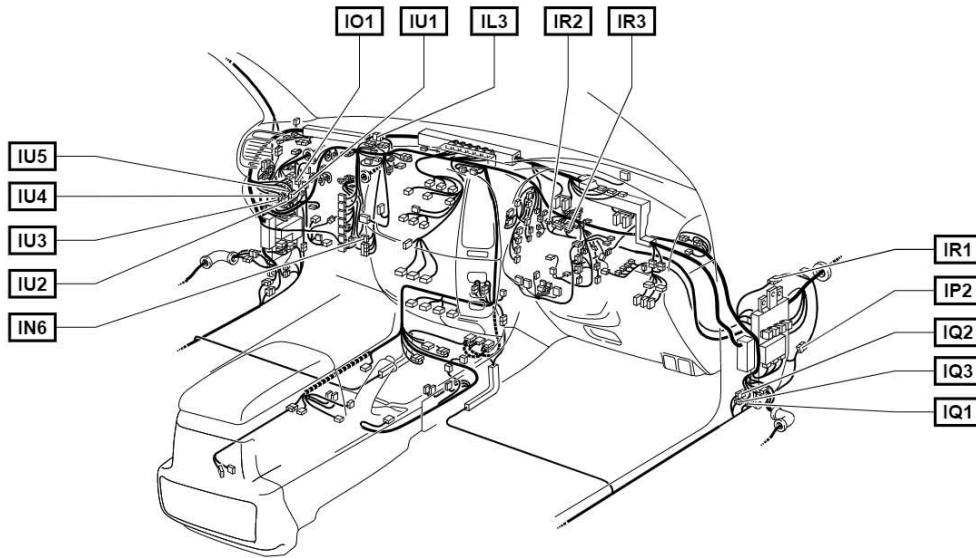
cardiagn.com

Code	Joining Wire Harness and Wire Harness (Connector Location)
IE2	Dash Wire and Roof Wire (Left Kick Panel)
IF1	Instrument Panel Integration Wire and Instrument Panel Wire (Right Side of Instrument Panel)
IF2	Instrument Panel Integration Wire and Instrument Panel Wire (Right Side of Instrument Panel)
IG1	Engine Room No.2 Wire and Dash Wire (Behind the Glove Box)
IG5	Instrument Panel Integration Wire and Column Wire (Near the Steering Column)
IH2	Instrument Panel Integration Wire and Column Wire (Near the Steering Column)
II4	Dash Wire and Column Wire (Near the Steering Column)
II5	Dash Wire and Column Wire (Near the Steering Column)
II6	Dash Wire and Column Wire (Near the Steering Column)

E ELECTRICAL WIRING ROUTING

□ : Location of Connector Joining Wire Harness and Wire Harness

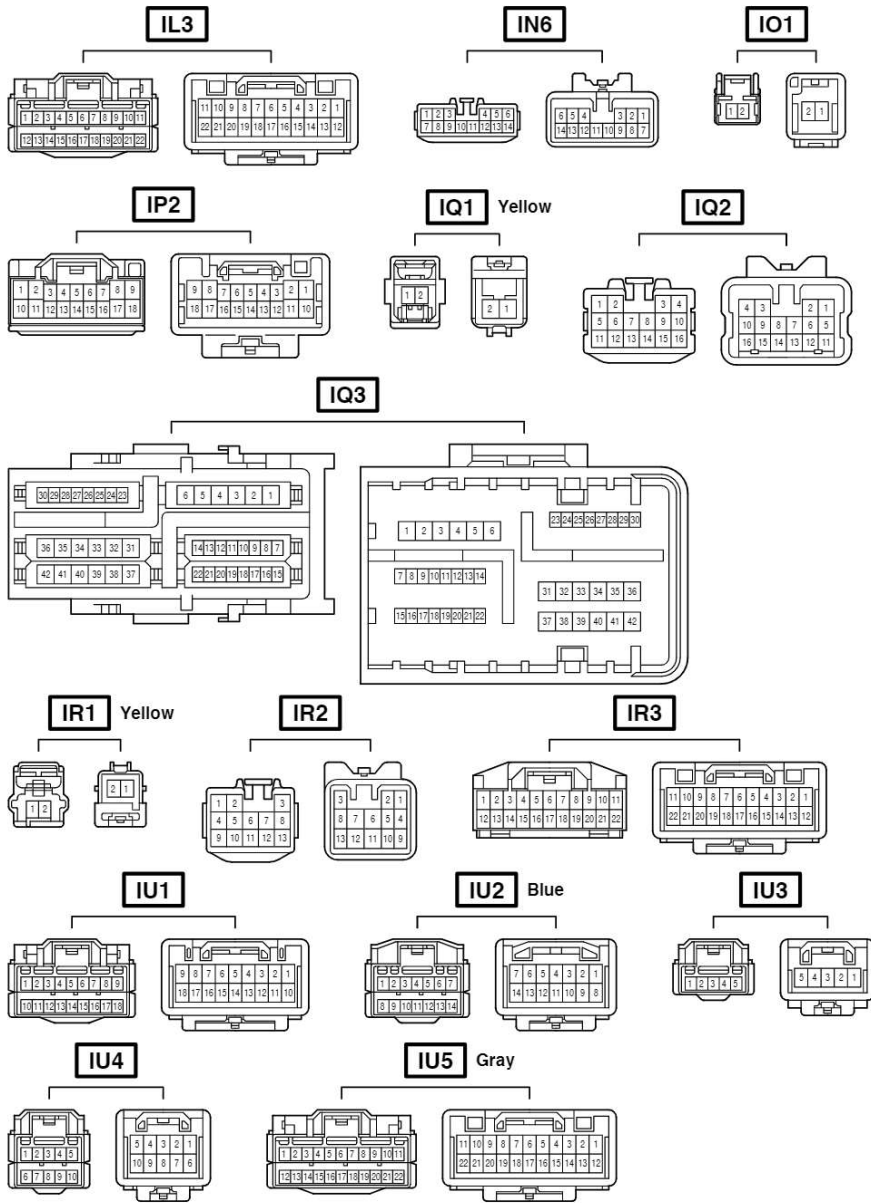
[RHD]



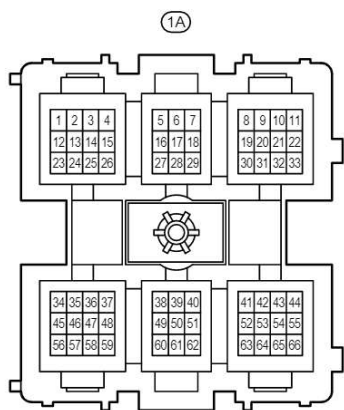
cardiagn.com

Code	Joining Wire Harness and Wire Harness (Connector Location)
IL3	Instrument Panel Integration Wire and Computer Wire (Instrument Panel Center)
IN6	Engine Wire and Dash Wire (Behind the Glove Box)
IO1	Instrument Panel Integration Wire and Lamp Wire (Behind the Glove Box)
IP2	Engine Room No.2 Wire and Floor No.2 Wire (Right Kick Panel)
IQ1	
IQ2	Dash Wire and Floor No.2 Wire (Right Kick Panel)
IQ3	
IR1	
IR2	Engine Room No.2 Wire and Dash Wire (Right Kick Panel)
IR3	
IU1	
IU2	
IU3	Instrument Panel Integration Wire and Dash Wire (Behind the Glove Box)
IU4	
IU5	

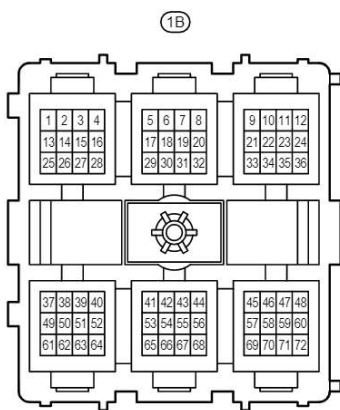
Connector Joining Wire Harness and Wire Harness



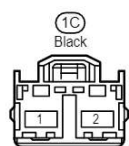
cardiagn.com



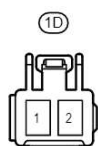
(from Engine Room Main Wire)



(from Engine Room No.2 Wire)



(from Engine Room No.2 Wire)



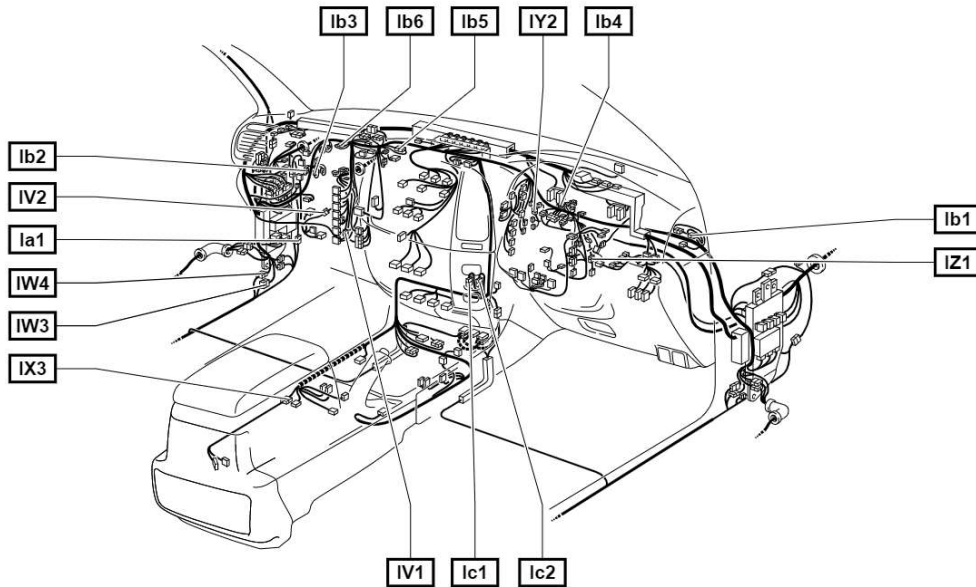
(from Engine Room No.2 Wire)

cardiagn.com

E ELECTRICAL WIRING ROUTING

□ : Location of Connector Joining Wire Harness and Wire Harness

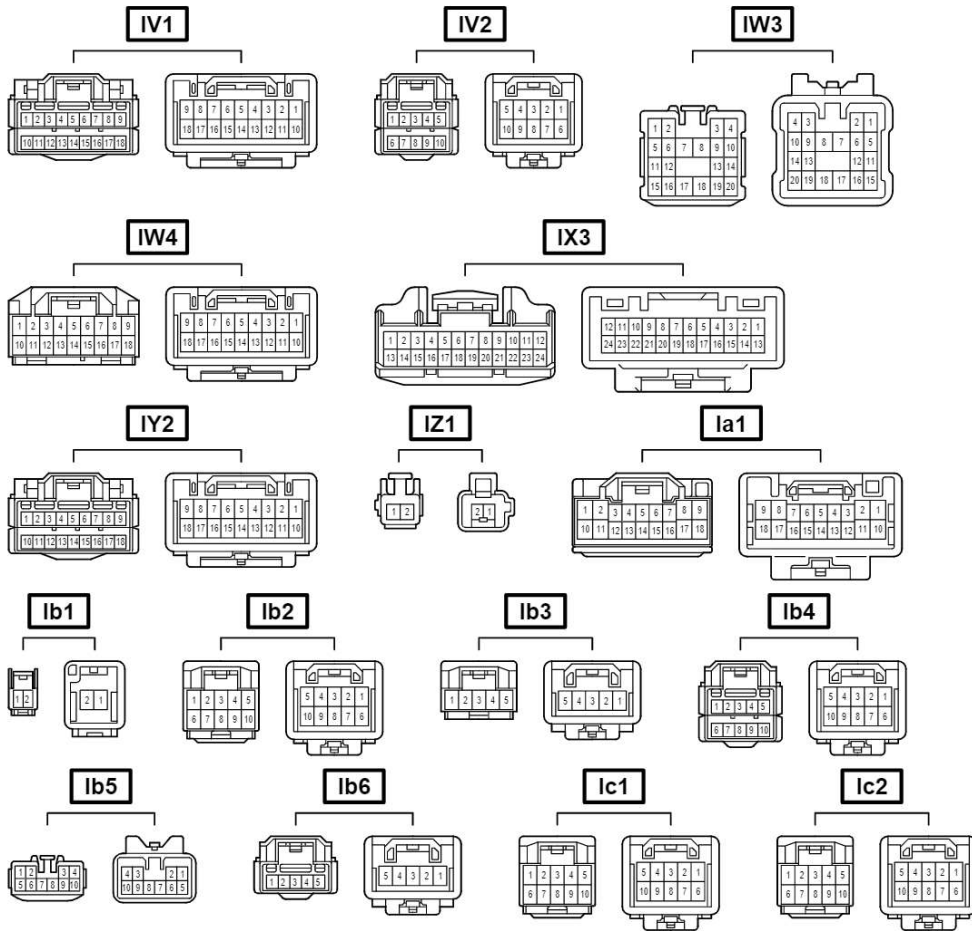
[RHD]



cardiagn.com

Code	Joining Wire Harness and Wire Harness (Connector Location)
IV1	Instrument Panel Integration Wire and Engine Wire (Behind the Glove Box)
IV2	
IW3	Front Door LH Wire and Dash Wire (Left Kick Panel)
IW4	
IX3	Rear Console Box Wire and Dash Wire (Left Side of Rear Console)
IY2	Instrument Panel Integration Wire and Instrument Panel No.2 Wire (Instrument Panel Center)
IZ1	Dash Wire and Sensor Wire (Near the Steering Column)
Ia1	Engine Room No.2 Wire and Floor Wire (Left Kick Panel)
Ib1	Dash Wire and Dash Wire (Right Side of Instrument Panel)
Ib2	Dash Wire and Dash Wire (Behind the Glove Box)
Ib3	
Ib4	Dash Wire and Dash Wire (Behind the Combination Meter)
Ib5	Dash Wire and Dash Wire (Instrument Panel Center)
Ib6	Dash Wire and Dash Wire (Behind the Glove Box)
Ic1	
Ic2	Dash Wire and Dash Wire (Behind the Center Panel)

Connector Joining Wire Harness and Wire Harness

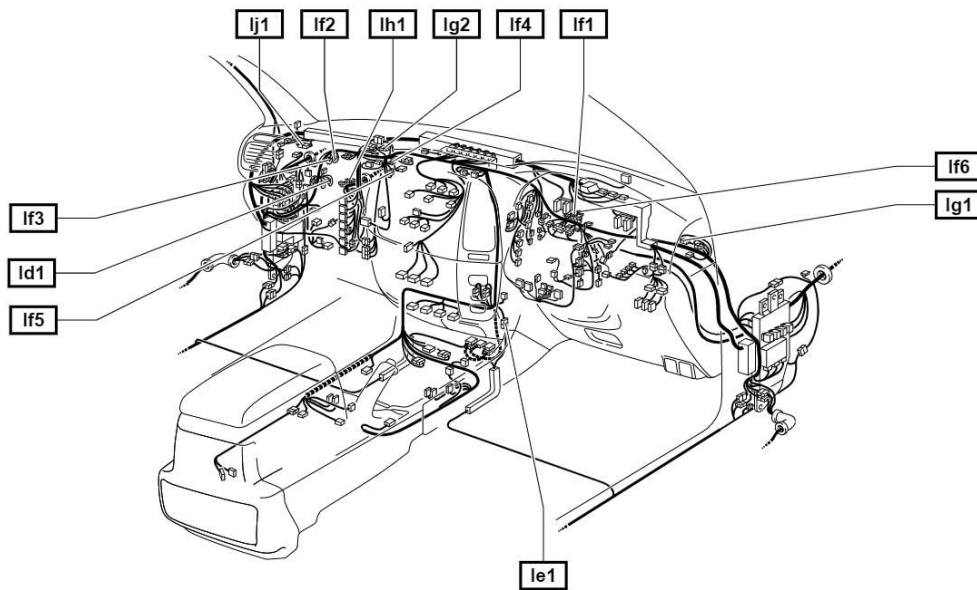


cardiagn.com

E ELECTRICAL WIRING ROUTING

□ : Location of Connector Joining Wire Harness and Wire Harness

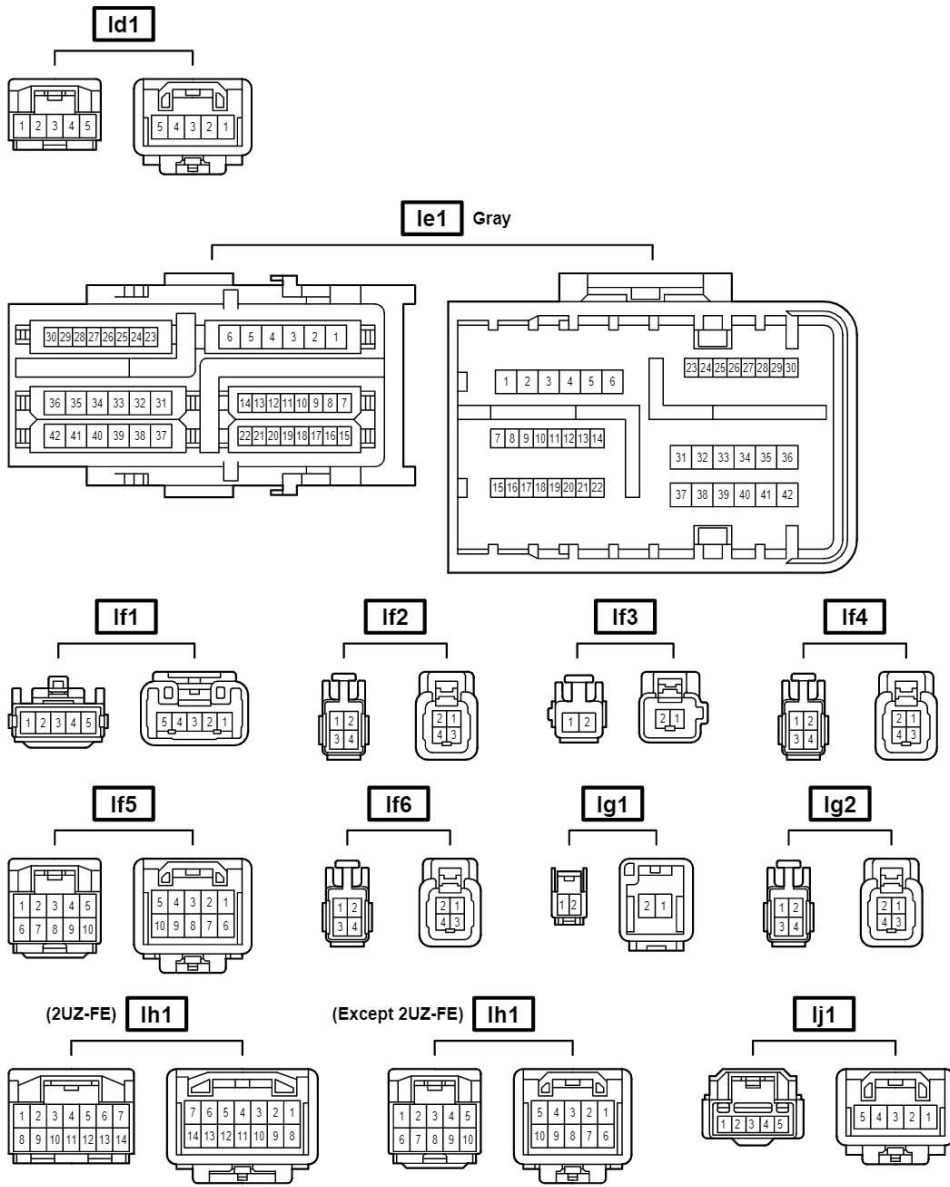
[RHD]



cardiagn.com

Code	Joining Wire Harness and Wire Harness (Connector Location)
ld1	Dash Wire and Dash Wire (Behind the Glove Box)
le1	Dash Wire and Floor No.2 Wire (Right Side of Front Console)
lf1	Dash Wire and Dash Wire (Behind the Combination Meter)
lf2	Dash Wire and Dash Wire (Behind the Glove Box)
lf3	
lf4	
lf5	Dash Wire and Dash Wire (Instrument Panel Center)
lf6	Dash Wire and Dash Wire (Behind the Combination Meter)
lg1	Dash Wire and Dash Wire (Right Side of Instrument Panel)
lg2	Dash Wire and Dash Wire (Instrument Panel Center)
lh1	Engine Wire and Engine Wire (Behind the Glove Box)
lj1	Instrument Panel Integration Wire and Instrument Panel No.3 Wire (Left Side of Instrument Panel)

Connector Joining Wire Harness and Wire Harness

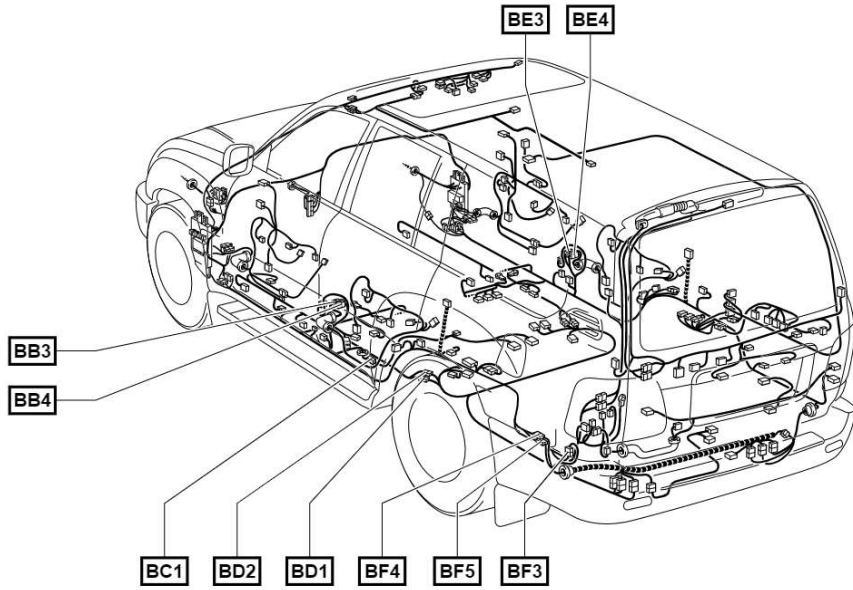


cardiagn.com

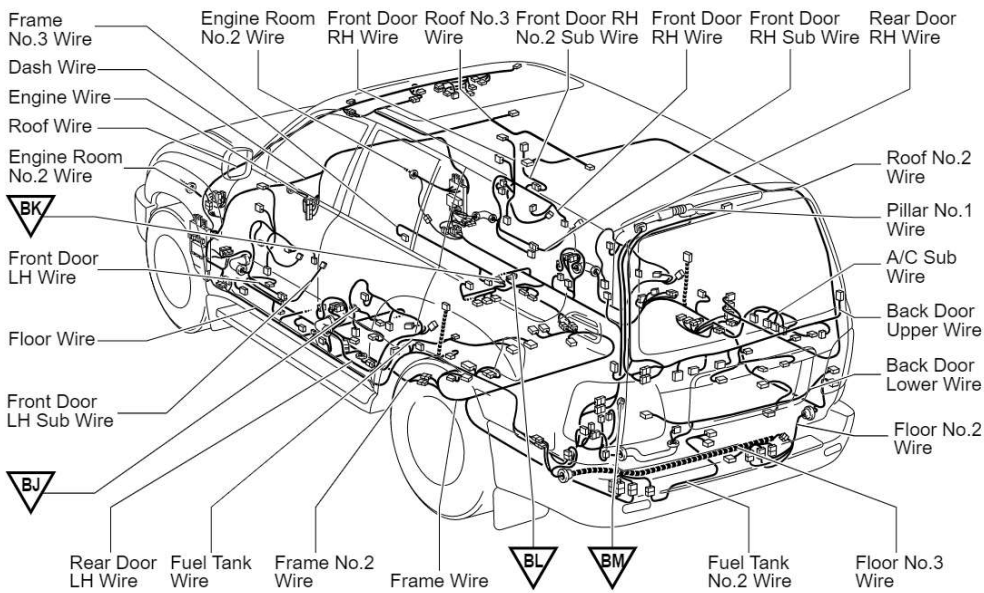
E ELECTRICAL WIRING ROUTING

□ : Location of Connector Joining Wire Harness and Wire Harness

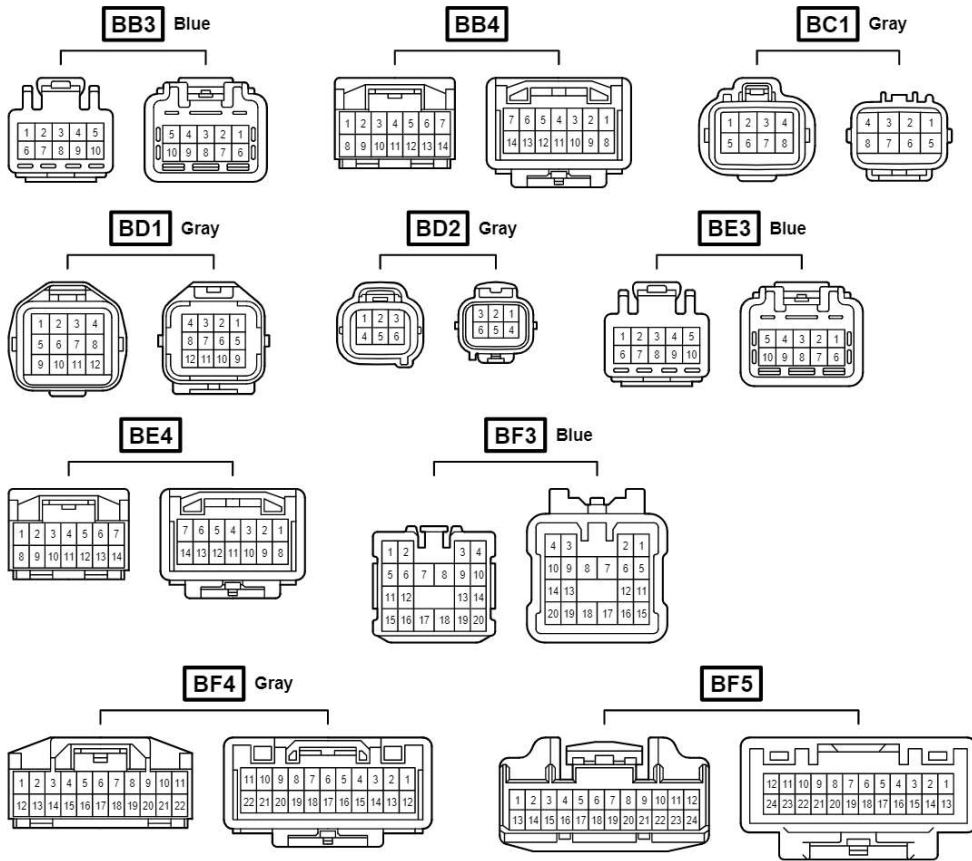
[RHD : Liftgate Type]



▽ : Location of Ground Points



Connector Joining Wire Harness and Wire Harness



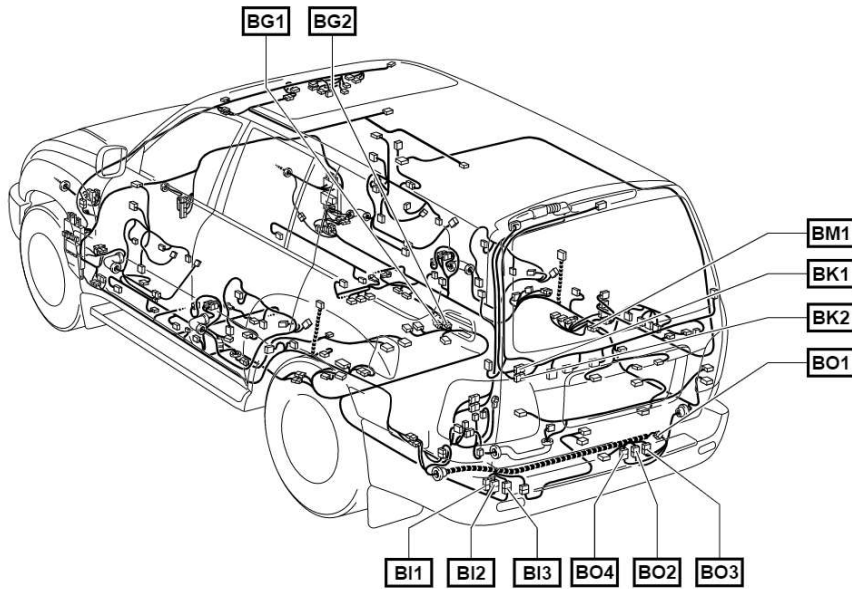
cardiagn.com

Code	Joining Wire Harness and Wire Harness (Connector Location)
BB3	Rear Door LH Wire and Floor Wire (Left Side of Center Pillar)
BB4	Floor Wire and Fuel Tank Wire (Near the Fuel Tank)
BC1	Frame No.2 Wire and Frame Wire (Near the Left Rear Suspension Support)
BD1	Frame No.2 Wire and Frame Wire (Near the Left Rear Suspension Support)
BD2	Frame No.2 Wire and Frame Wire (Near the Left Rear Suspension Support)
BE3	Rear Door RH Wire and Floor No.2 Wire (Right Side of Center Pillar)
BE4	Rear Door RH Wire and Floor No.2 Wire (Right Side of Center Pillar)
BF3	Floor No.3 Wire and Floor Wire (Left Rear Side Quarter Panel)
BF4	Floor No.3 Wire and Floor Wire (Left Rear Side Quarter Panel)
BF5	Floor No.3 Wire and Floor Wire (Left Rear Side Quarter Panel)

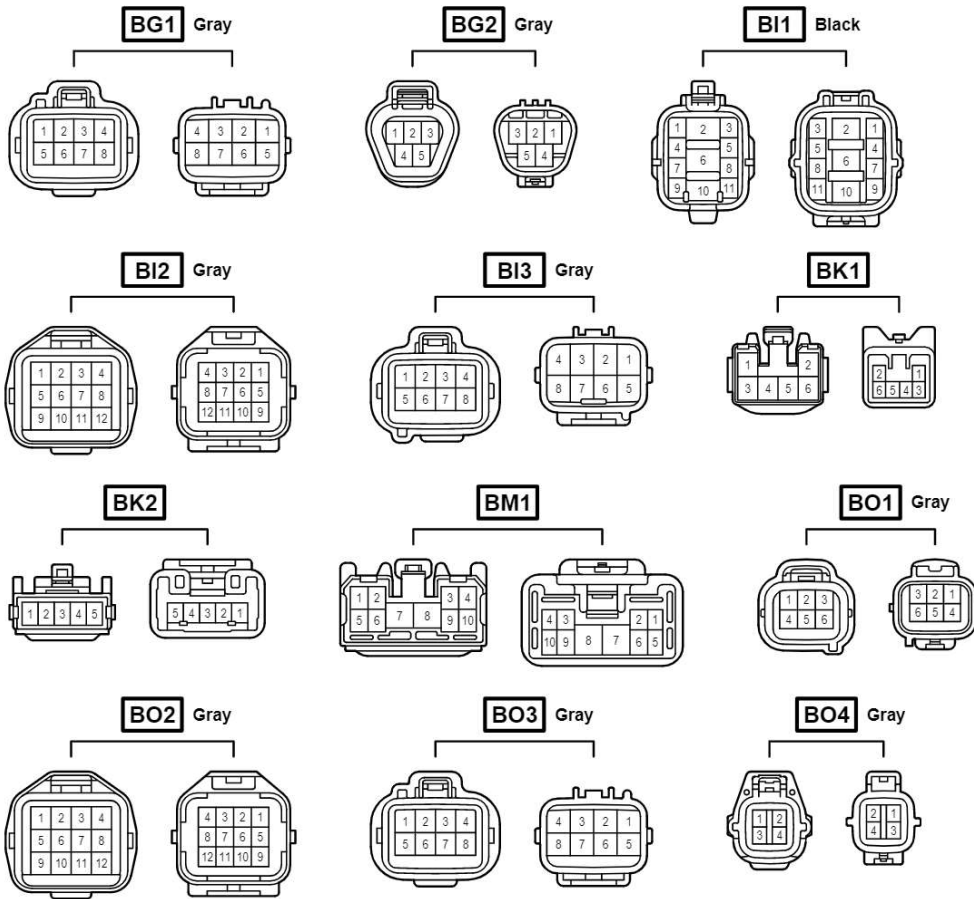
E ELECTRICAL WIRING ROUTING

□ : Location of Connector Joining Wire Harness and Wire Harness

[RHD : Liftgate Type]



Connector Joining Wire Harness and Wire Harness



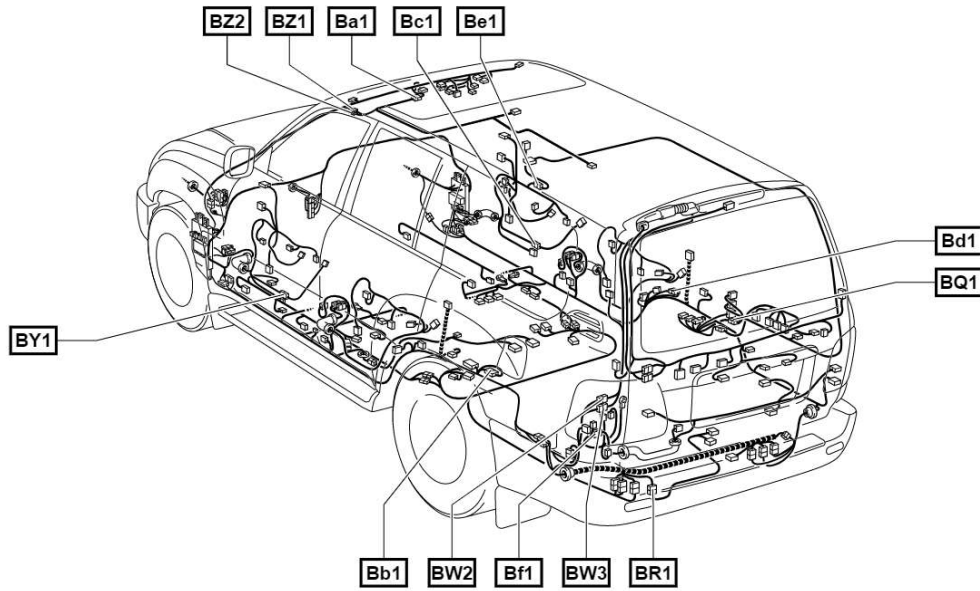
Code	Joining Wire Harness and Wire Harness (Connector Location)
BG1	Frame No.3 Wire and Frame Wire (Near the Right Rear Suspension Support)
BG2	
B11	
B12	Frame Wire and Floor No.3 Wire (Left Side of Rear Floor Crossmember)
B13	
BK1	Pillar No.1 Wire and Back Door Upper Wire (Left Side of Back Door)
BK2	
BM1	Floor No.2 Wire and A/C Sub Wire (Right Rear Side Quarter Panel)
BO1	
BO2	Floor No.2 Wire and Floor No.3 Wire (Right Side of Rear Floor Crossmember)
BO3	
BO4	

cardiagn.com

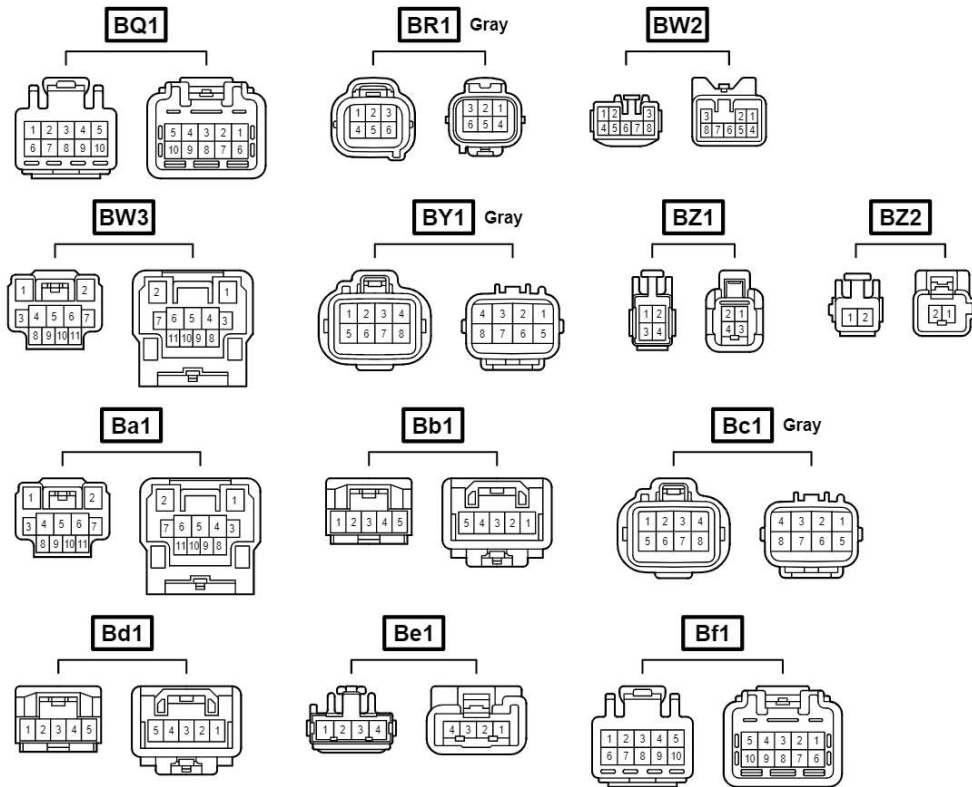
E ELECTRICAL WIRING ROUTING

□ : Location of Connector Joining Wire Harness and Wire Harness

[RHD : Liftgate Type]



Connector Joining Wire Harness and Wire Harness

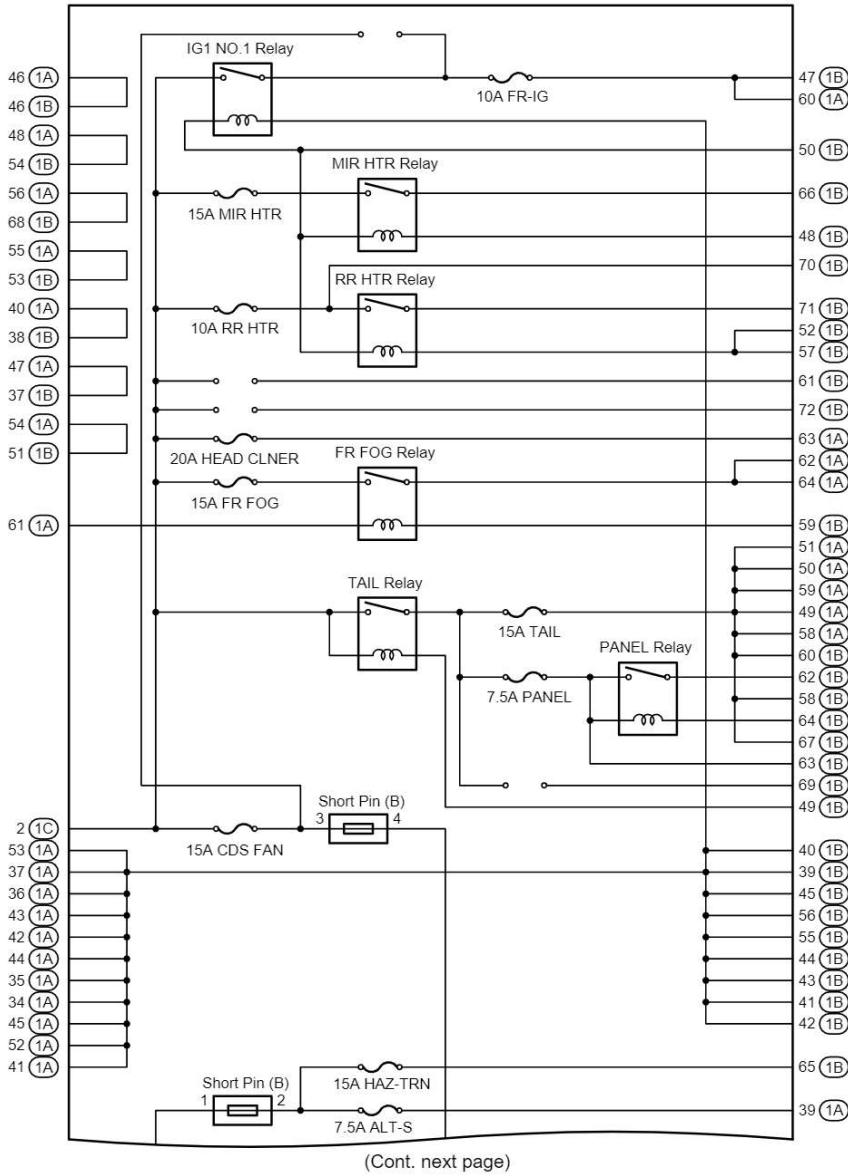


cardiagn.com

Code	Joining Wire Harness and Wire Harness (Connector Location)
BQ1	Floor No.2 Wire and Roof No.2 Wire (Right Rear Side Quarter Panel)
BR1	Fuel Tank No.2 Wire and Floor No.3 Wire (Left Side of Rear Floor Crossmember)
BW2	Pillar No.1 Wire and Floor Wire (Left Rear Side Quarter Panel)
BW3	
BY1	Front Door LH Sub Wire and Front Door LH Wire (Front Door LH)
BZ1	
BZ2	Roof No.3 Wire and Roof Wire (Front Side of Roof)
Ba1	
Bb1	Floor Wire and Floor Wire (Near the Left Rear Suspension Support)
Bc1	Front Door RH Sub Wire and Front Door RH Wire (Front Door RH)
Bd1	Floor No.2 Wire and Floor No.2 Wire (Near the Right Rear Suspension Support)
Be1	Front Door RH Wire and Front Door RH No.2 Sub Wire (Front Door RH)
Bf1	Back Door Lower Wire and Floor Wire (Left Rear Side Quarter Panel)

D RELAY LOCATIONS

[Engine Room J/B Inner Circuit]

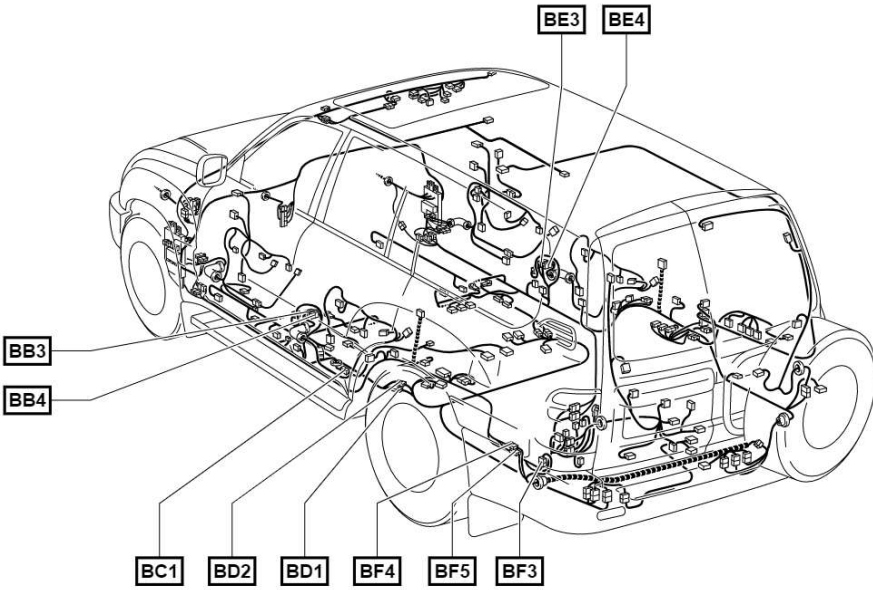


cardiagn.com

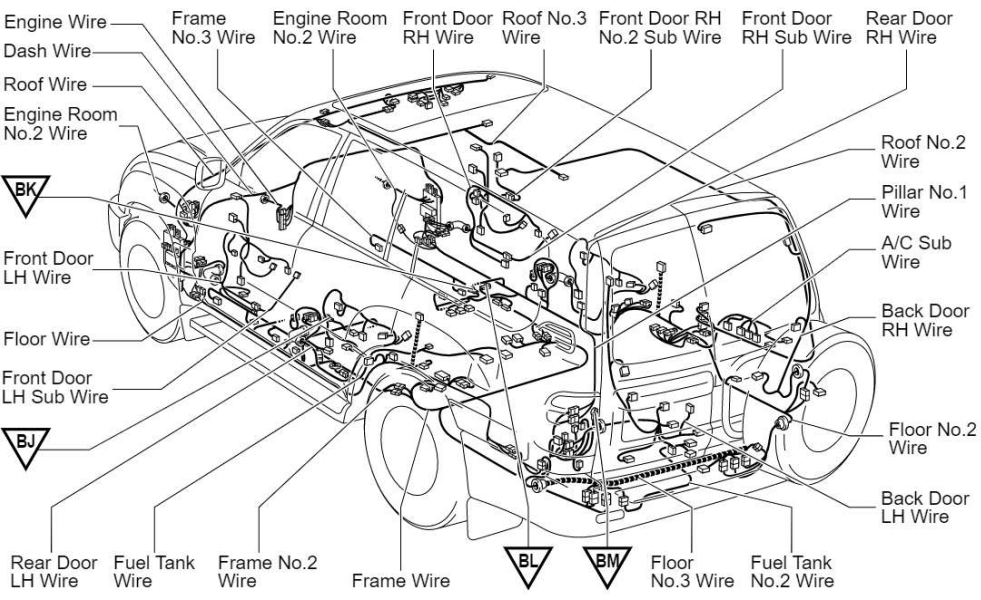
E ELECTRICAL WIRING ROUTING

□ : Location of Connector Joining Wire Harness and Wire Harness

[RHD : Swing Type]

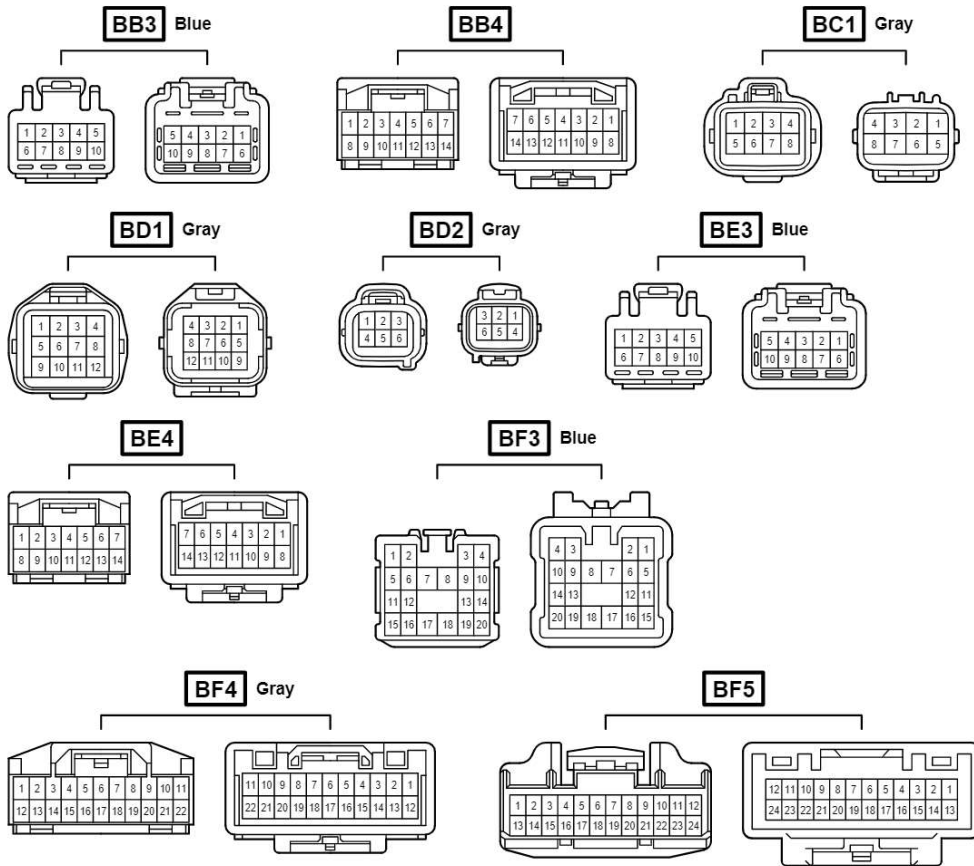


▽ : Location of Ground Points



cardiagn.com

Connector Joining Wire Harness and Wire Harness



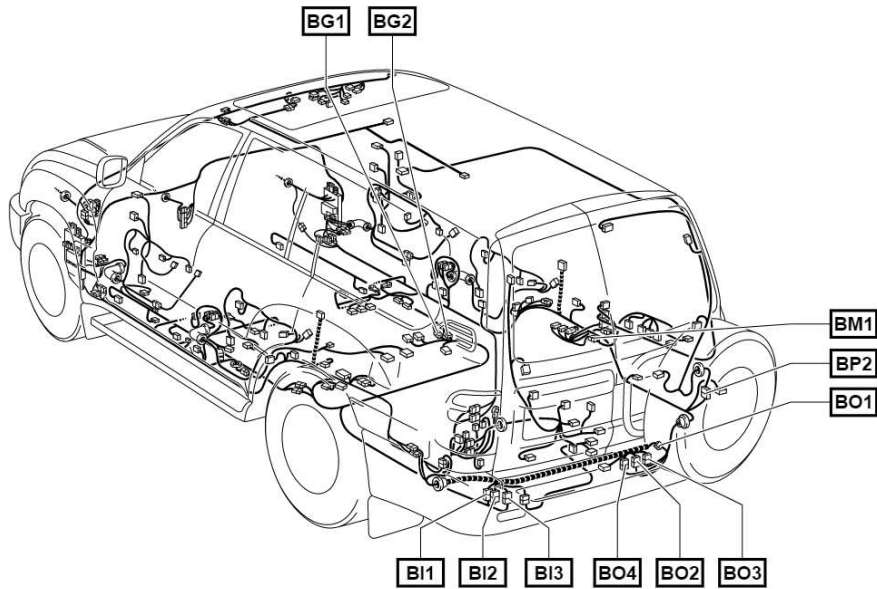
cardiagn.com

Code	Joining Wire Harness and Wire Harness (Connector Location)
BB3	Rear Door LH Wire and Floor Wire (Left Side of Center Pillar)
BB4	Rear Door LH Wire and Floor Wire (Left Side of Center Pillar)
BC1	Floor Wire and Fuel Tank Wire (Near the Fuel Tank)
BD1	Frame No.2 Wire and Frame Wire (Near the Left Rear Suspension Support)
BD2	Frame No.2 Wire and Frame Wire (Near the Left Rear Suspension Support)
BE3	Rear Door RH Wire and Floor No.2 Wire (Right Side of Center Pillar)
BE4	Rear Door RH Wire and Floor No.2 Wire (Right Side of Center Pillar)
BF3	Floor No.3 Wire and Floor Wire (Left Rear Side Quarter Panel)
BF4	Floor No.3 Wire and Floor Wire (Left Rear Side Quarter Panel)
BF5	Floor No.3 Wire and Floor Wire (Left Rear Side Quarter Panel)

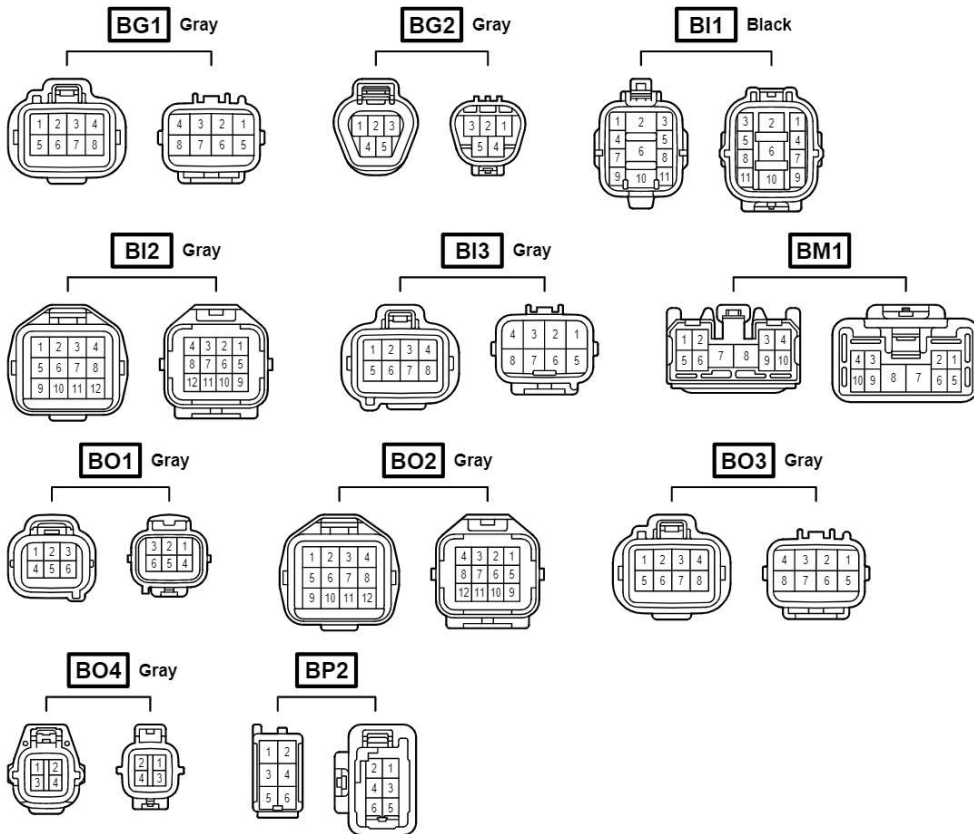
E ELECTRICAL WIRING ROUTING

□ : Location of Connector Joining Wire Harness and Wire Harness

[RHD : Swing Type]



Connector Joining Wire Harness and Wire Harness



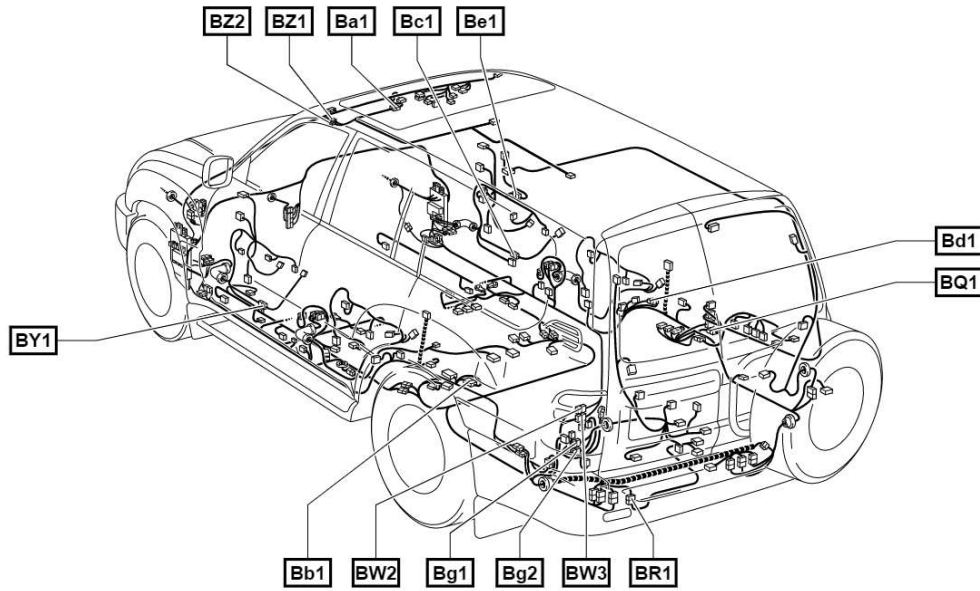
cardiagn.com

Code	Joining Wire Harness and Wire Harness (Connector Location)
BG1	Frame No.3 Wire and Frame Wire (Near the Right Rear Suspension Support)
BG2	
BI1	Frame Wire and Floor No.3 Wire (Left Side of Rear Floor Crossmember)
BI2	
BI3	
BM1	Floor No.2 Wire and A/C Sub Wire (Right Rear Side Quarter Panel)
BO1	Floor No.2 Wire and Floor No.3 Wire (Right Side of Rear Floor Crossmember)
BO2	
BO3	
BO4	
BP2	Back Door RH Wire and Floor No.2 Wire (Back Door RH)

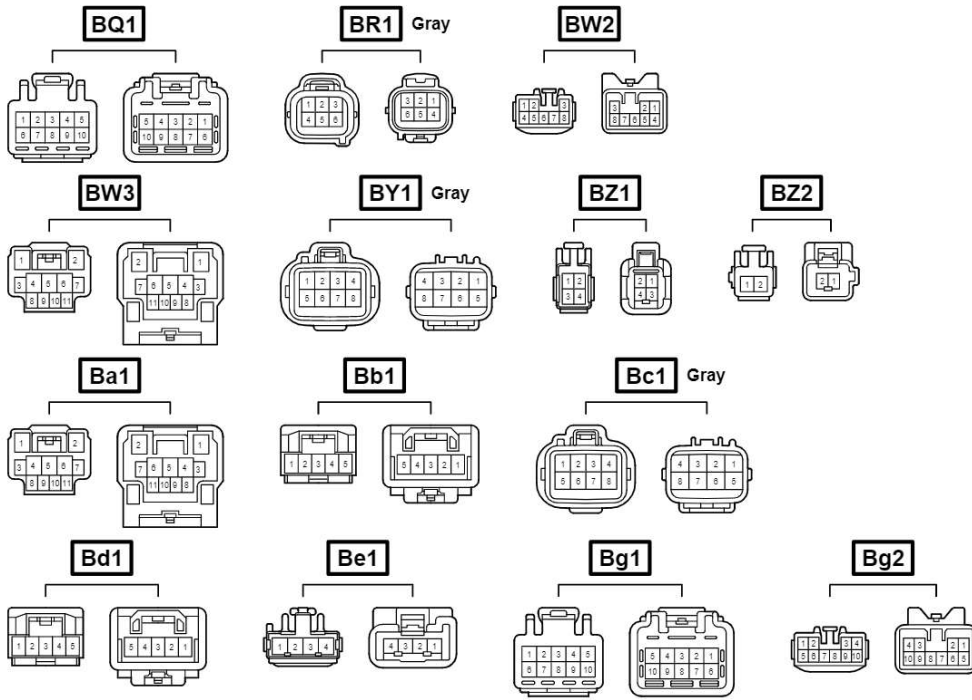
E ELECTRICAL WIRING ROUTING

□ : Location of Connector Joining Wire Harness and Wire Harness

[RHD : Swing Type]



Connector Joining Wire Harness and Wire Harness



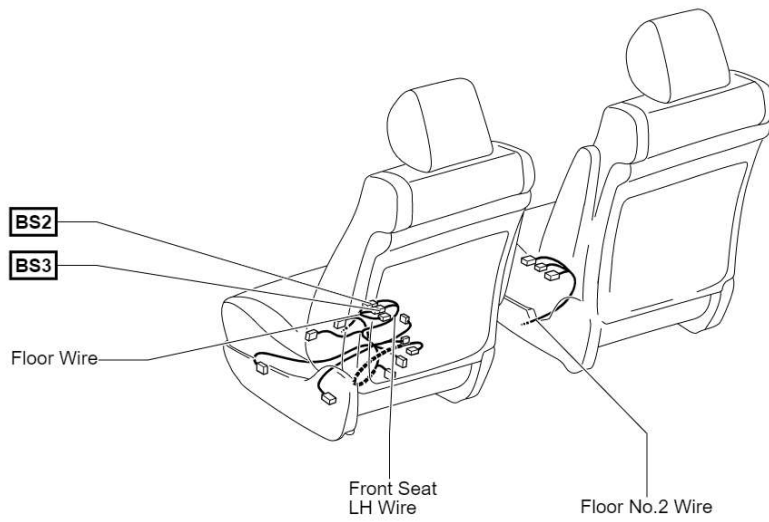
Code	Joining Wire Harness and Wire Harness (Connector Location)
BQ1	Floor No.2 Wire and Roof No.2 Wire (Right Rear Side Quarter Panel)
BR1	Fuel Tank No.2 Wire and Floor No.3 Wire (Left Side of Rear Floor Crossmember)
BW2	Pillar No.1 Wire and Floor Wire (Left Rear Side Quarter Panel)
BW3	Pillar No.1 Wire and Floor Wire (Left Rear Side Quarter Panel)
BY1	Front Door LH Sub Wire and Front Door LH Wire (Front Door LH)
BZ1	Roof No.3 Wire and Roof Wire (Front Side of Roof)
BZ2	Roof No.3 Wire and Roof Wire (Front Side of Roof)
Ba1	Floor Wire and Floor Wire (Near the Left Rear Suspension Support)
Bb1	Floor Wire and Floor Wire (Near the Left Rear Suspension Support)
Bc1	Front Door RH Sub Wire and Front Door RH Wire (Front Door RH)
Bd1	Floor No.2 Wire and Floor No.2 Wire (Near the Right Rear Suspension Support)
Be1	Front Door RH Wire and Front Door RH No.2 Sub Wire (Front Door RH)
Bg1	Back Door LH Wire and Floor Wire (Left Rear Side Quarter Panel)
Bg2	Back Door LH Wire and Floor Wire (Left Rear Side Quarter Panel)

cardiagn.com

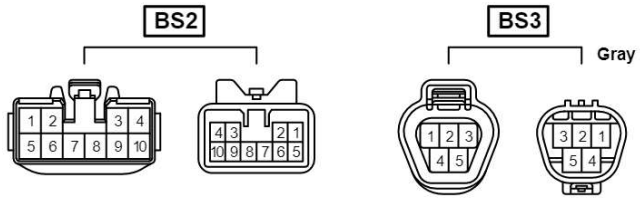
E ELECTRICAL WIRING ROUTING

□ : Location of Connector Joining Wire Harness and Wire Harness

[RHD : w/ Seat ECU]




Connector Joining Wire Harness and Wire Harness

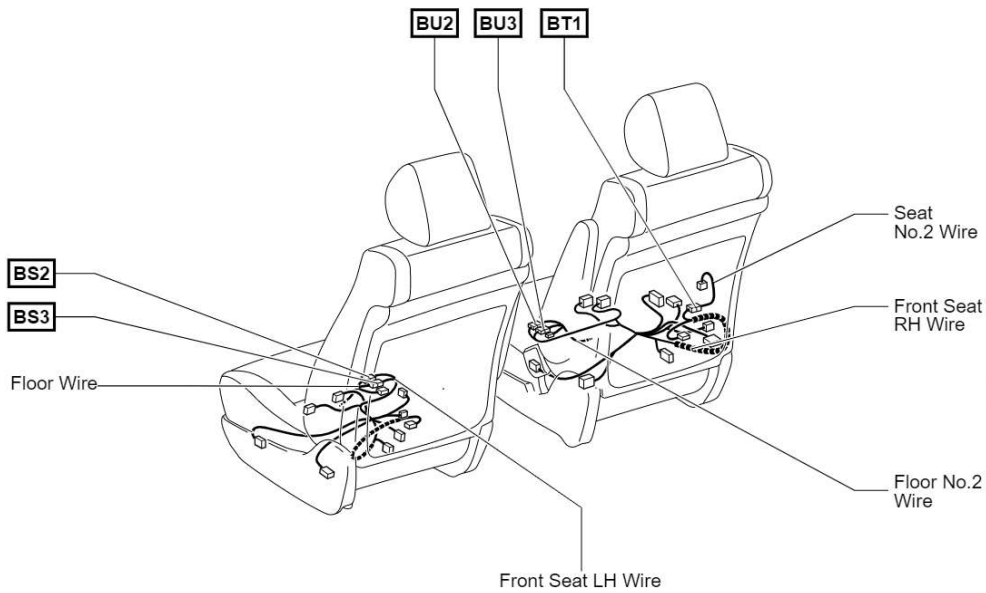


Code	Joining Wire Harness and Wire Harness (Connector Location)
BS2	
BS3	Floor Wire and Front Seat LH Wire (Front Side Under the Front Passenger's Seat)

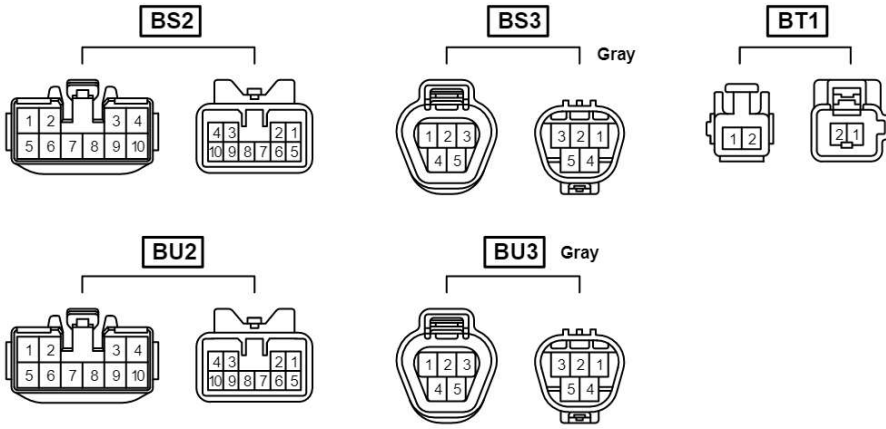
E ELECTRICAL WIRING ROUTING

 : Location of Connector Joining Wire Harness and Wire Harness

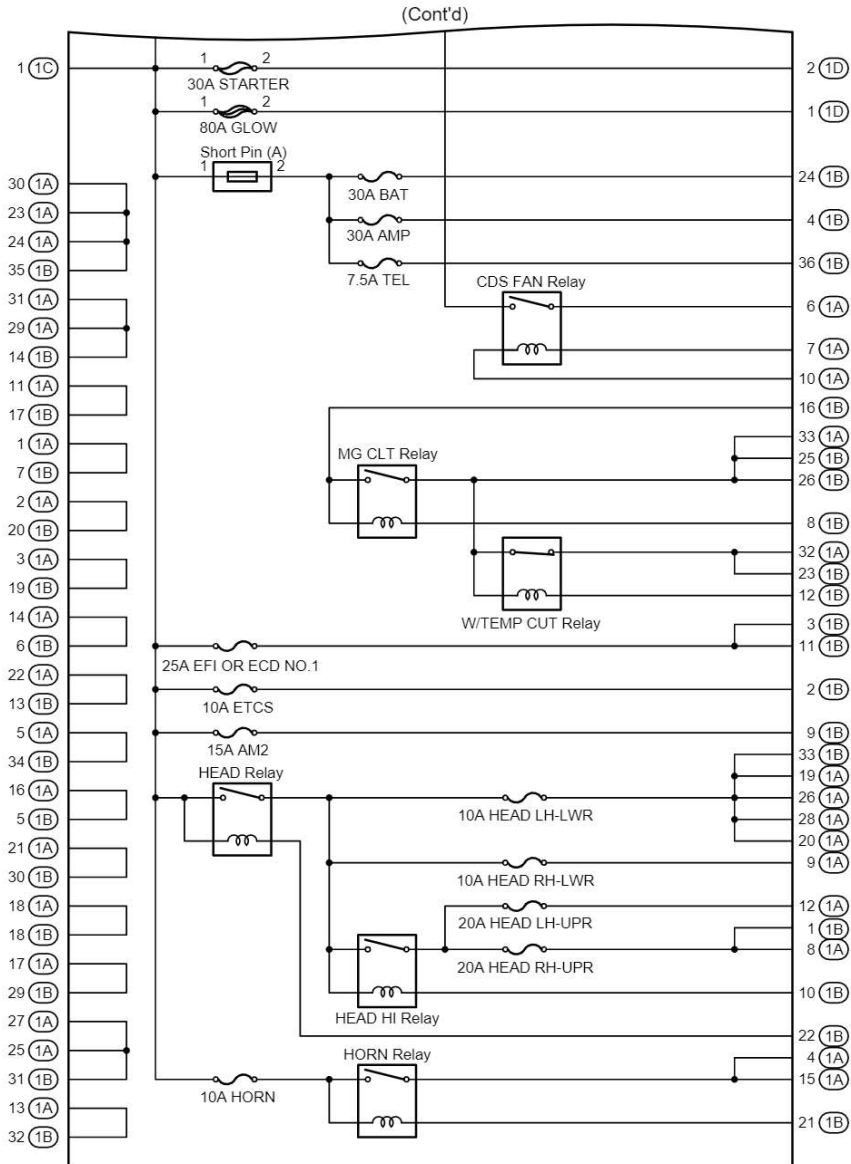
[RHD : w/o Seat ECU]



Connector Joining Wire Harness and Wire Harness

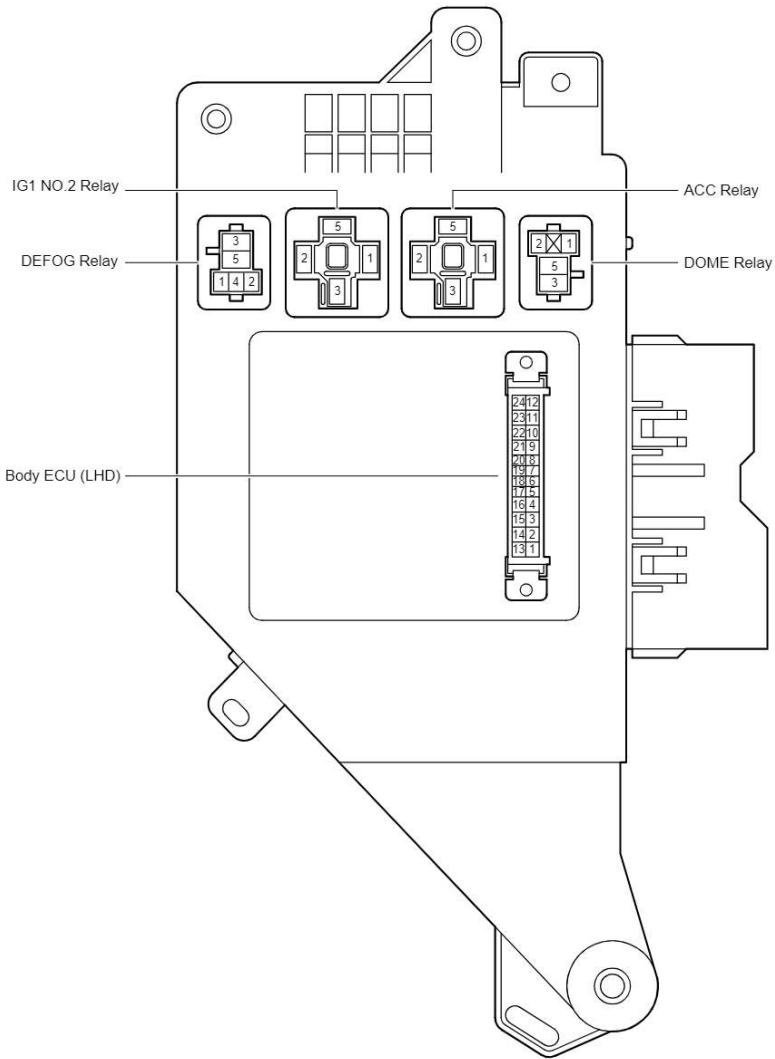


Code	Joining Wire Harness and Wire Harness (Connector Location)
BS2	Floor Wire and Front Seat LH Wire (Front Side Under the Front Passenger's Seat)
BS3	Floor Wire and Front Seat LH Wire (Front Side Under the Front Passenger's Seat)
BT1	Seat No.2 Wire and Front Seat RH Wire (Rear Side Under the Driver's Seat)
BU2	Floor No.2 Wire and Front Seat RH Wire (Front Side Under the Driver's Seat)
BU3	Floor No.2 Wire and Front Seat RH Wire (Front Side Under the Driver's Seat)



cardiagn.com

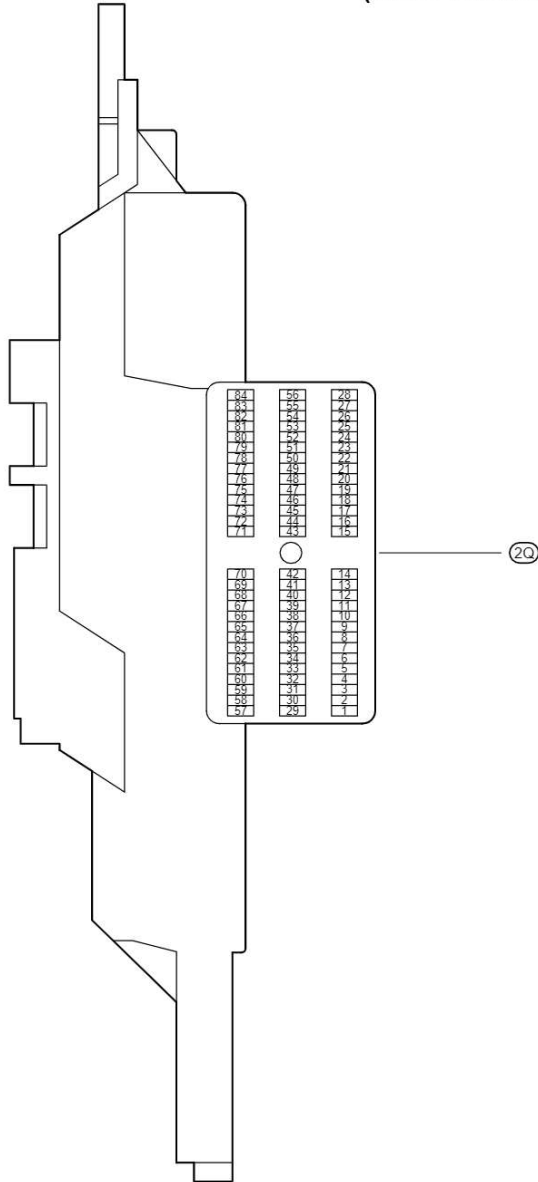
LAND CRUISER Station Wagon (EWD512E)



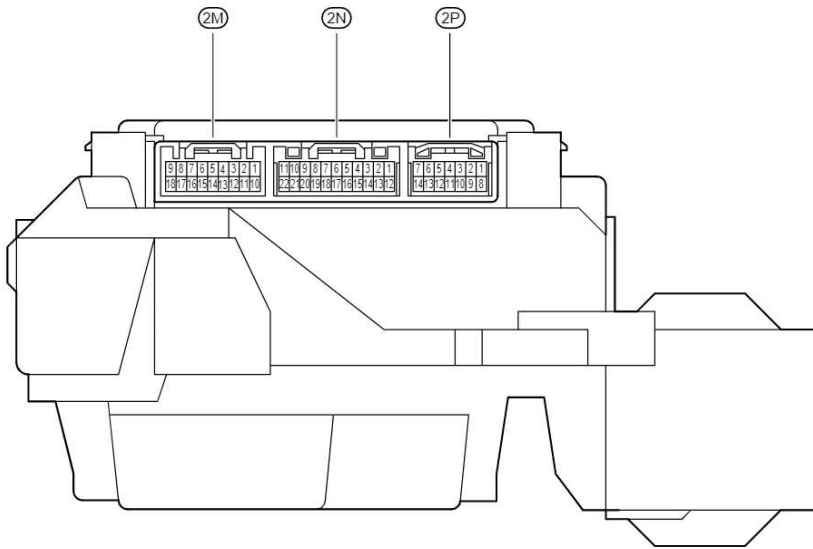
D RELAY LOCATIONS

○ : Cowl Side J/B LH	LHD : Left Kick Panel (See Page 9)
	RHD : Left Kick Panel (See Page 10)

(Inner Circuit : See Page 24)



cardiagn.com

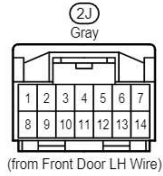
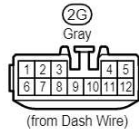
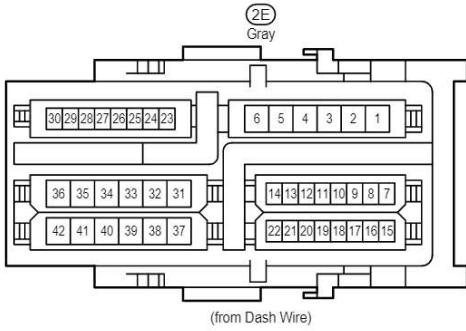
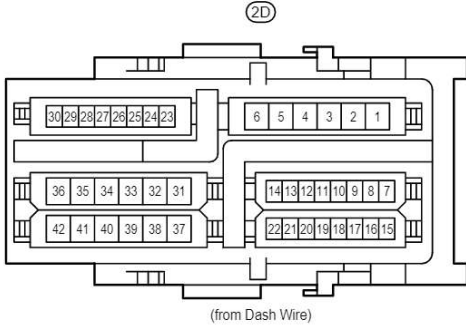
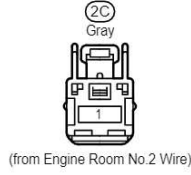
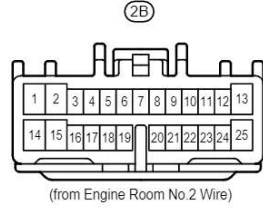
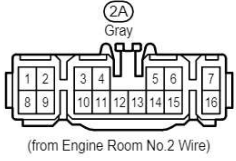


cardiagn.com

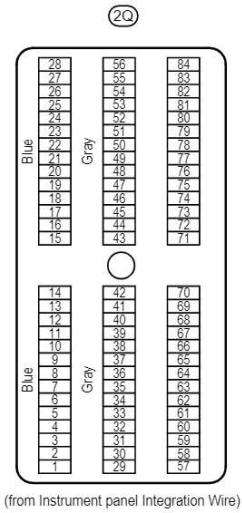
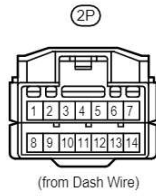
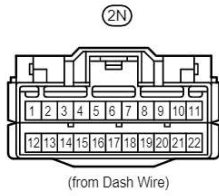
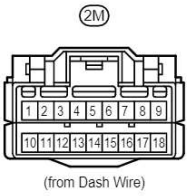
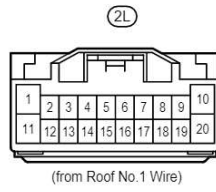
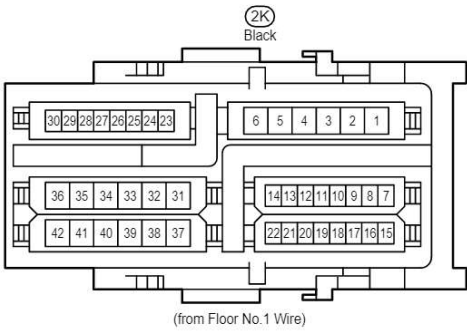
D RELAY LOCATIONS

○ : Cowl Side J/B LH	LHD : Left Kick Panel (See Page 9)
	RHD : Left Kick Panel (See Page 10)

(Inner Circuit : See Page 24)



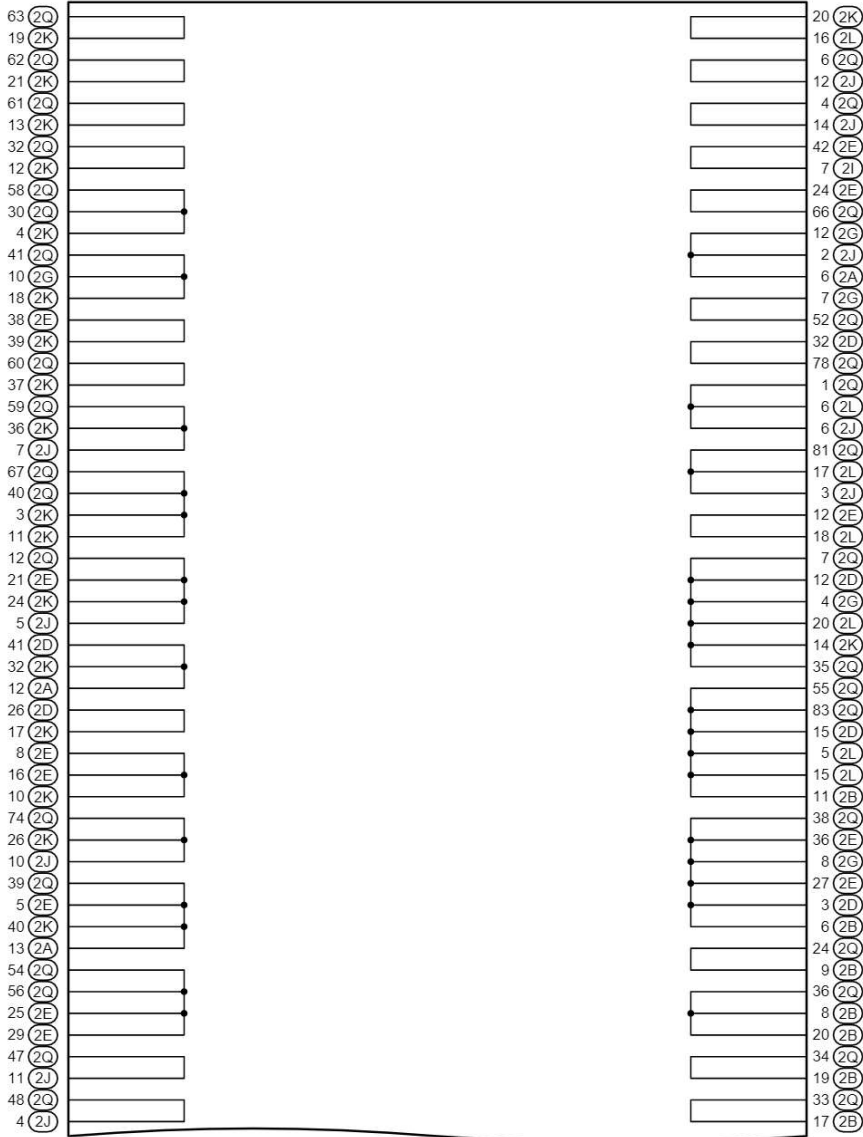
cardiagn.com



cardiagn.com

D RELAY LOCATIONS

[Cowl Side J/B LH Inner Circuit]

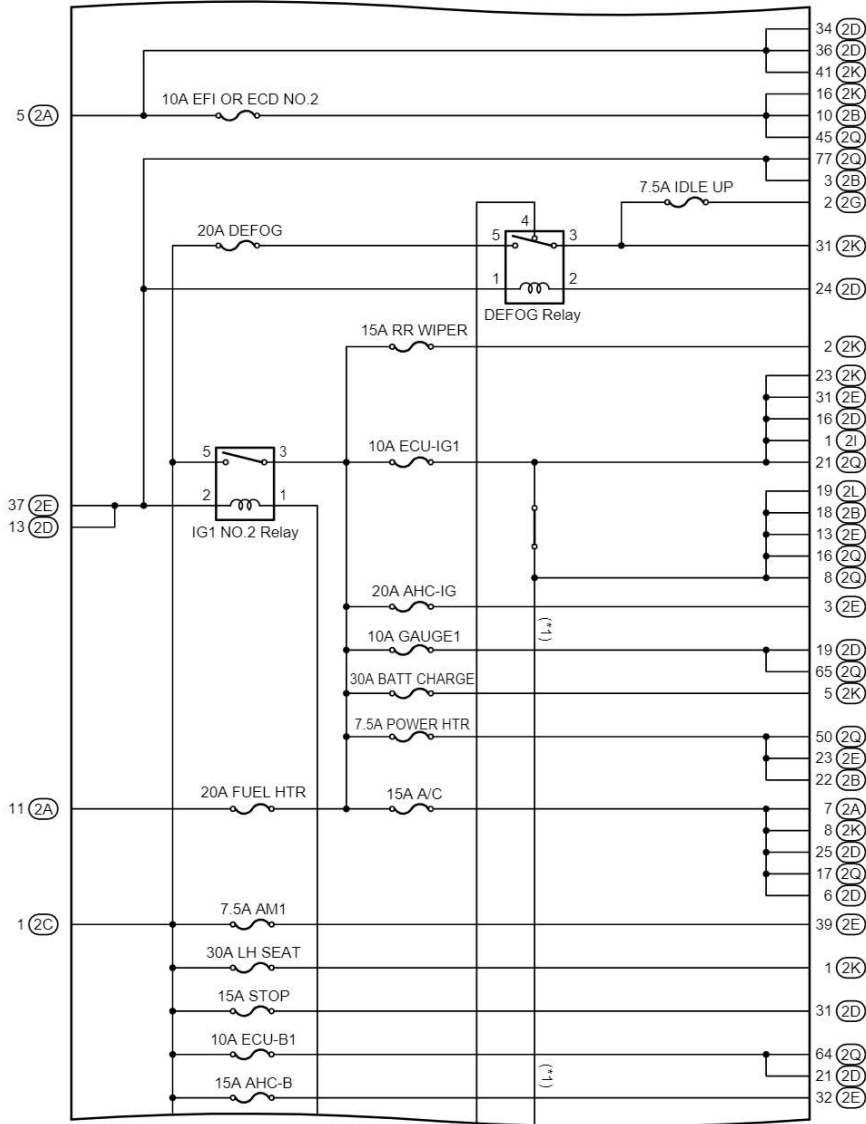


(Cont. next page)

D RELAY LOCATIONS

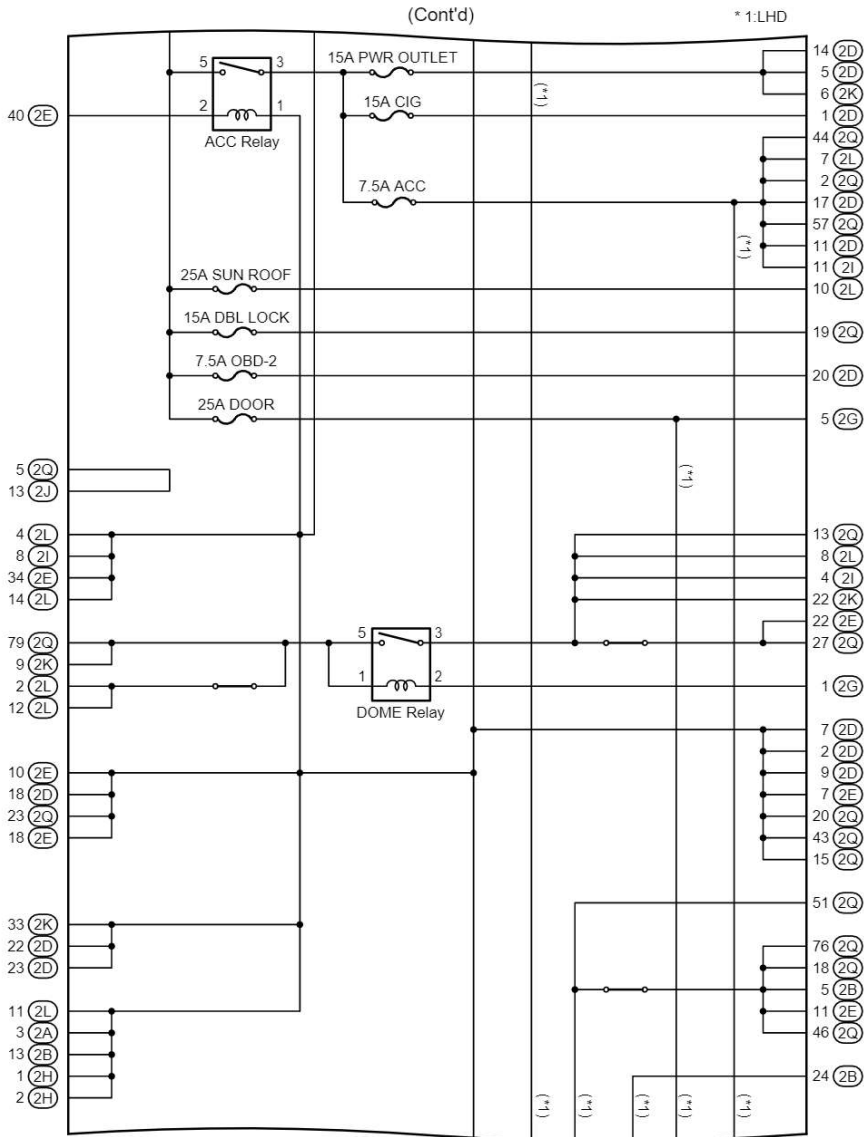
[Cowl Side J/B LH Inner Circuit]

(Cont'd)



(Cont. next page)

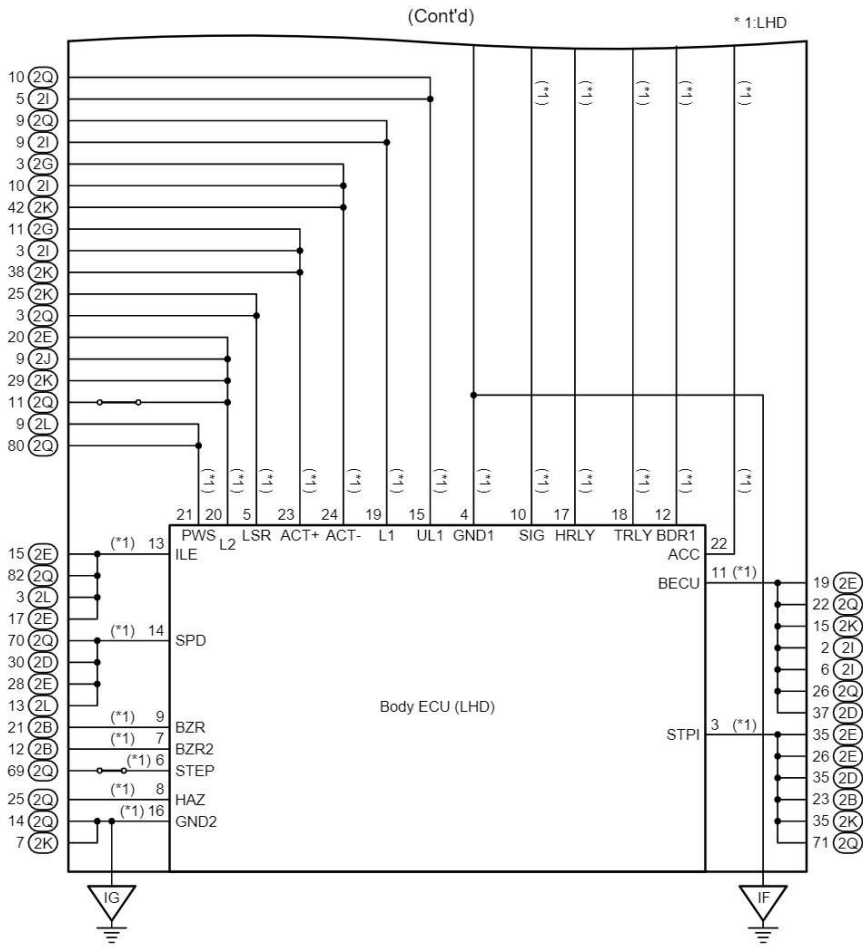
cardiagn.com



(Cont. next page)

D RELAY LOCATIONS

[Cowl Side J/B LH Inner Circuit]

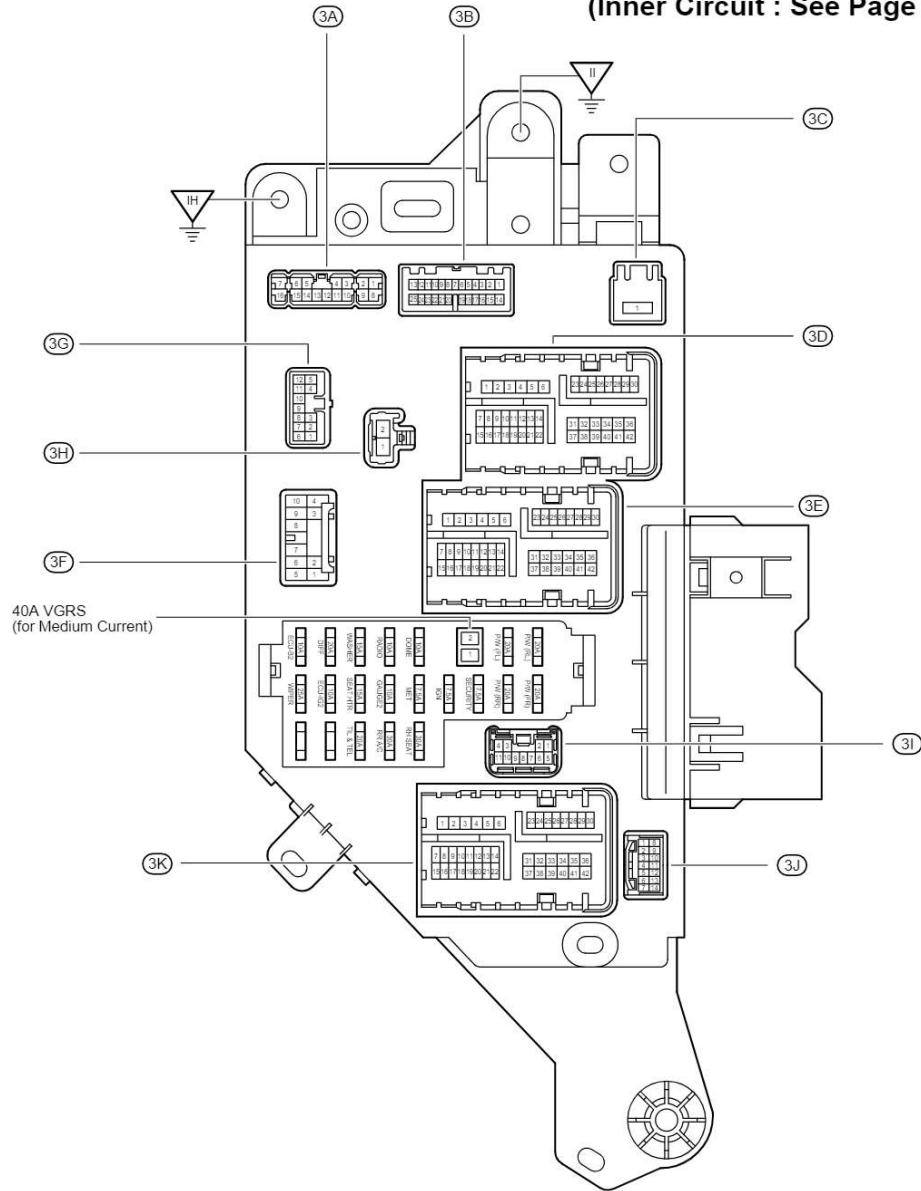


cardiagn.com

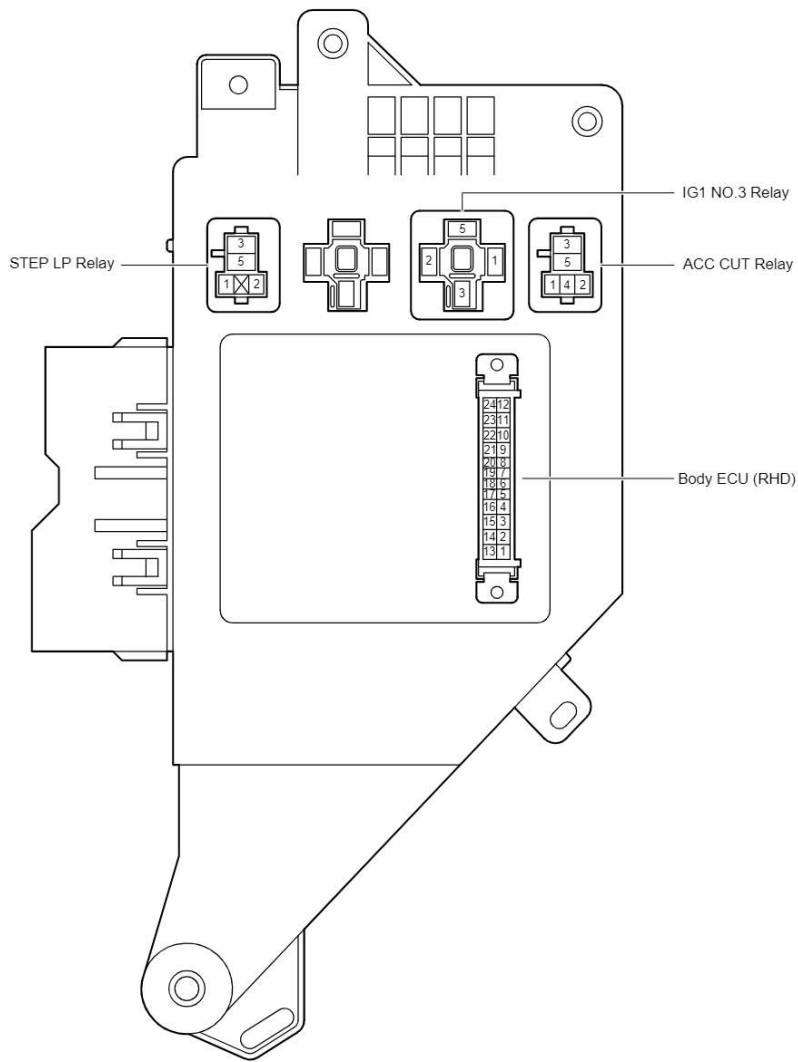
D RELAY LOCATIONS

○ : Cowl Side J/B RH	LHD : Right Kick Panel (See Page 9)
	RHD : Right Kick Panel (See Page 10)

(Inner Circuit : See Page 36)



cardiagn.com

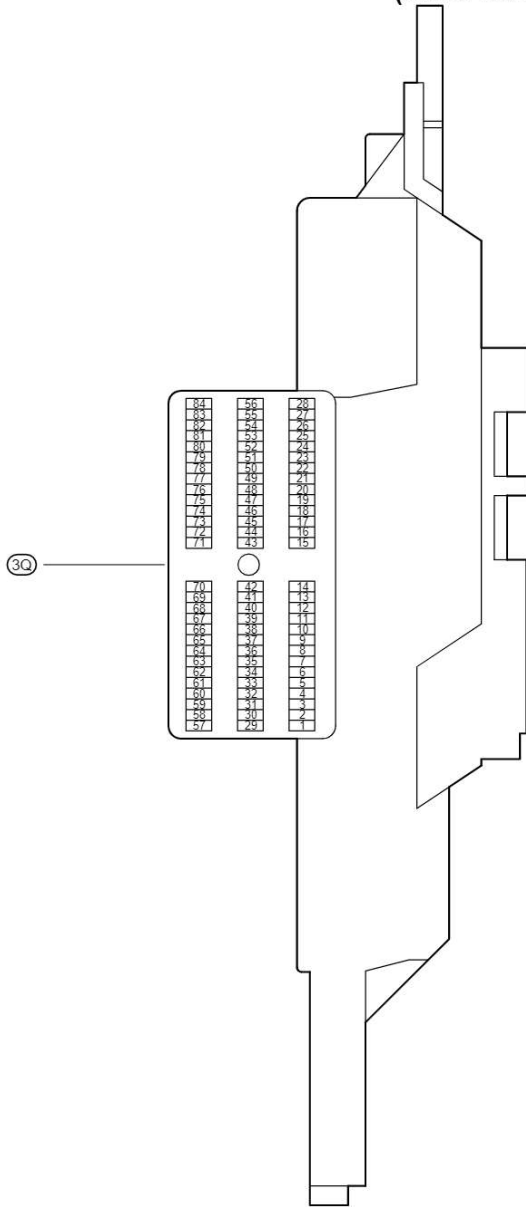


cardiagn.com

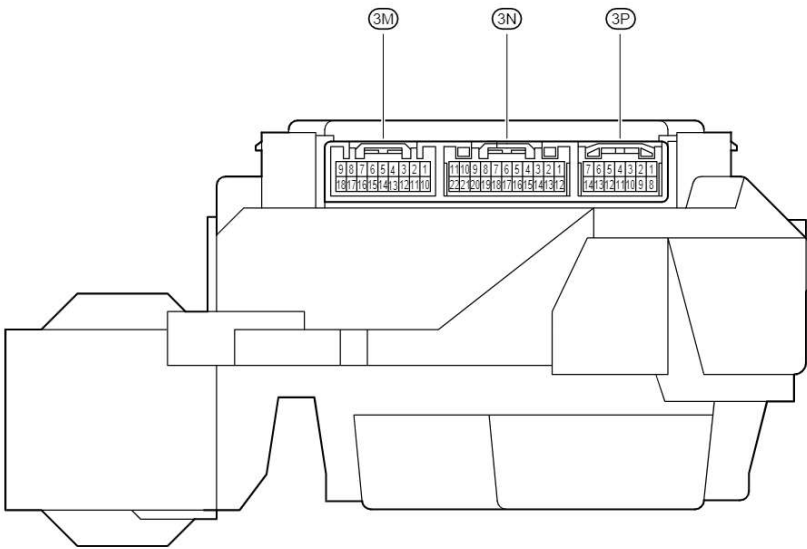
D RELAY LOCATIONS

○ : Cowl Side J/B RH	LHD : Right Kick Panel (See Page 9)
	RHD : Right Kick Panel (See Page 10)

(Inner Circuit : See Page 36)



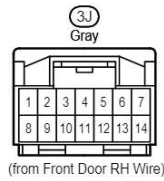
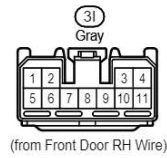
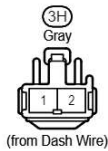
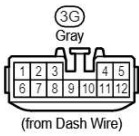
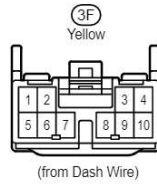
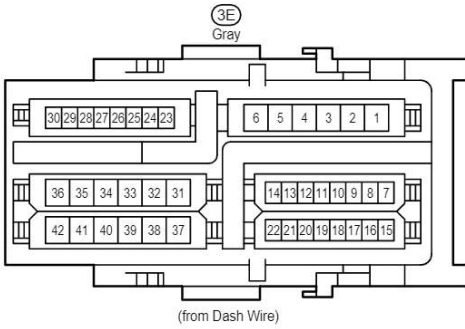
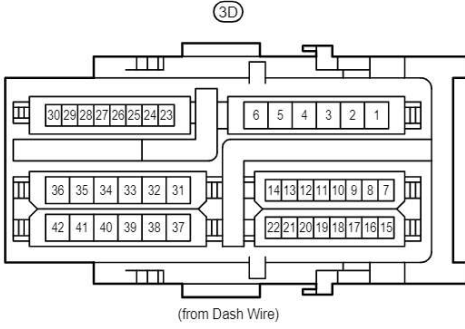
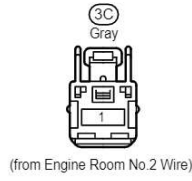
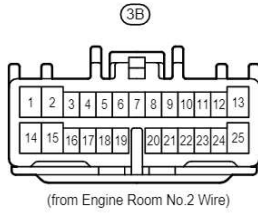
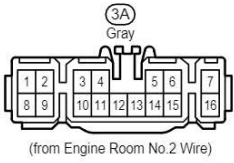
cardiagn.com



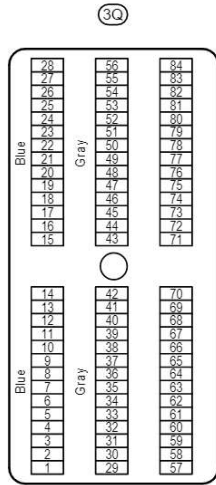
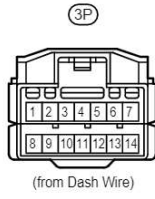
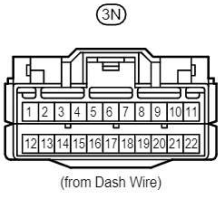
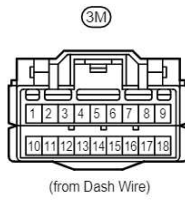
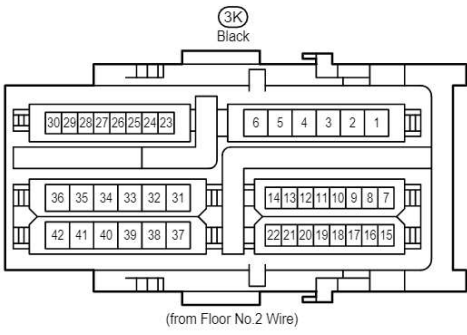
D RELAY LOCATIONS

○ : Cowl Side J/B RH	LHD : Right Kick Panel (See Page 9)
	RHD : Right Kick Panel (See Page 10)

(Inner Circuit : See Page 36)



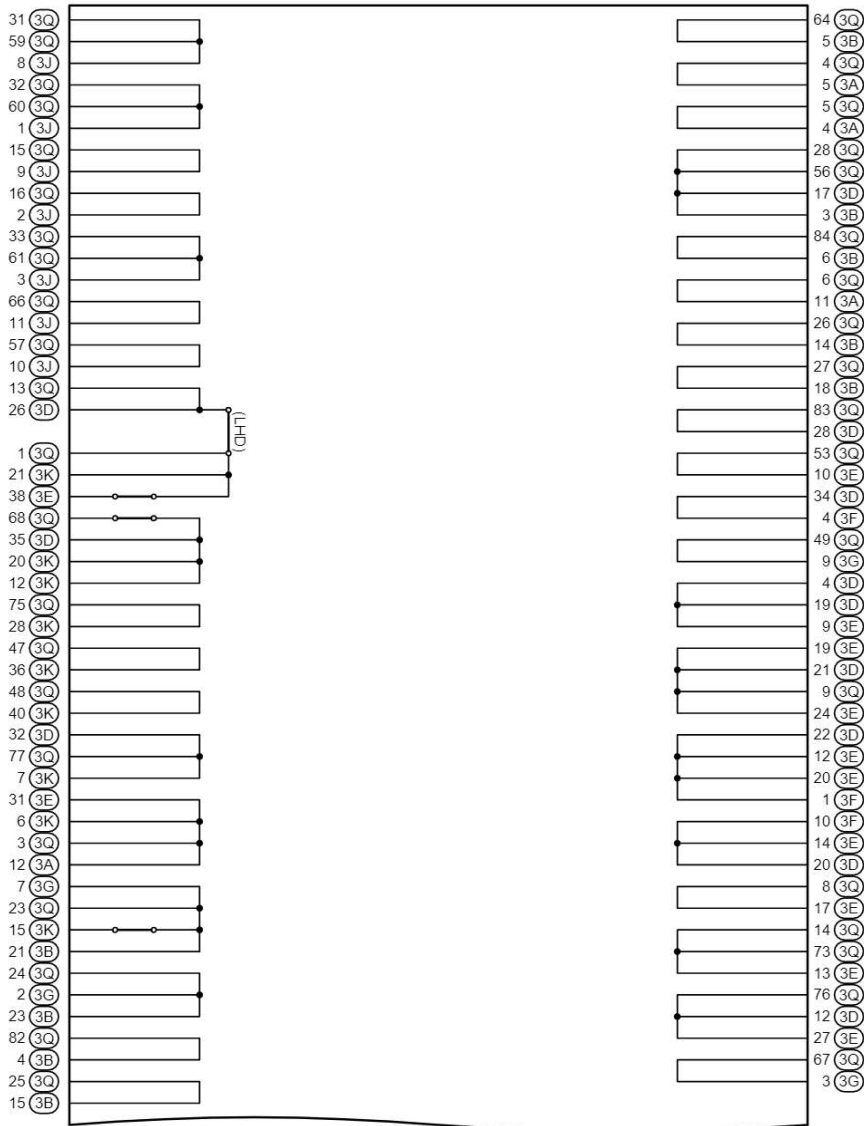
cardiagn.com



cardiagn.com

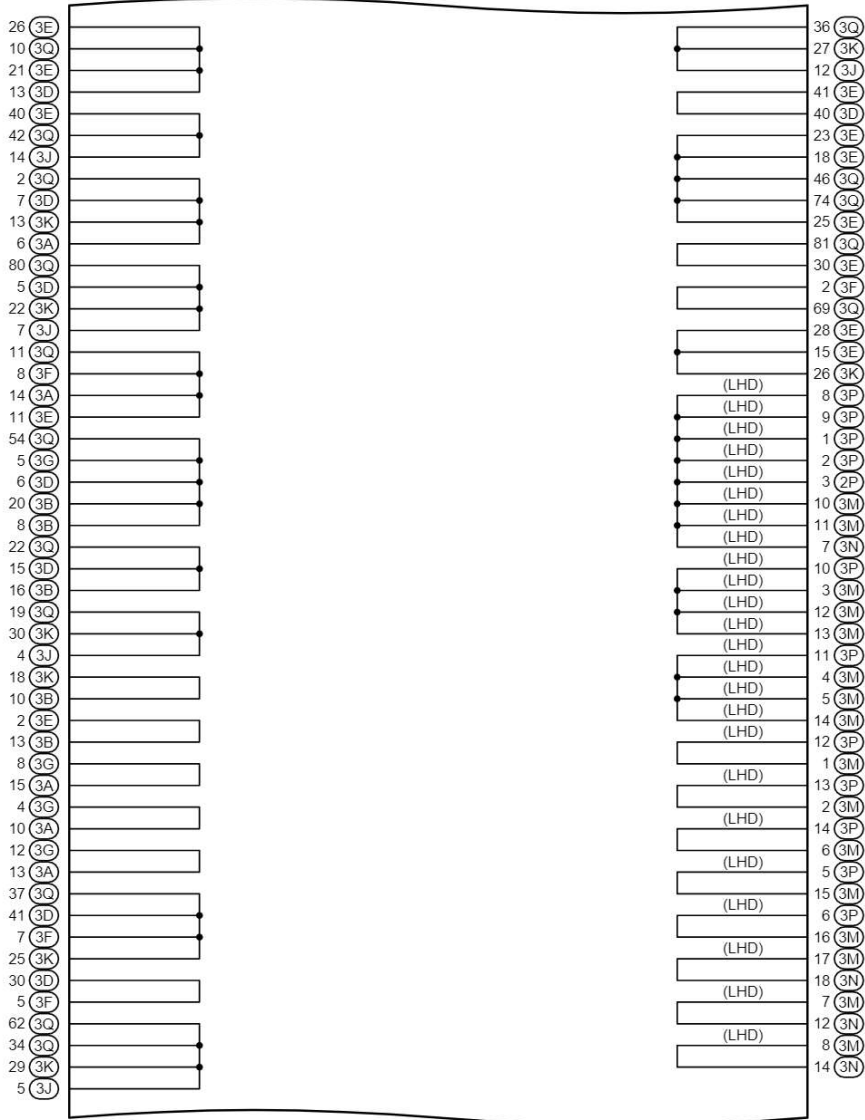
D RELAY LOCATIONS

[Cowl Side J/B RH Inner Circuit]



(Cont. next page)

(Cont'd)



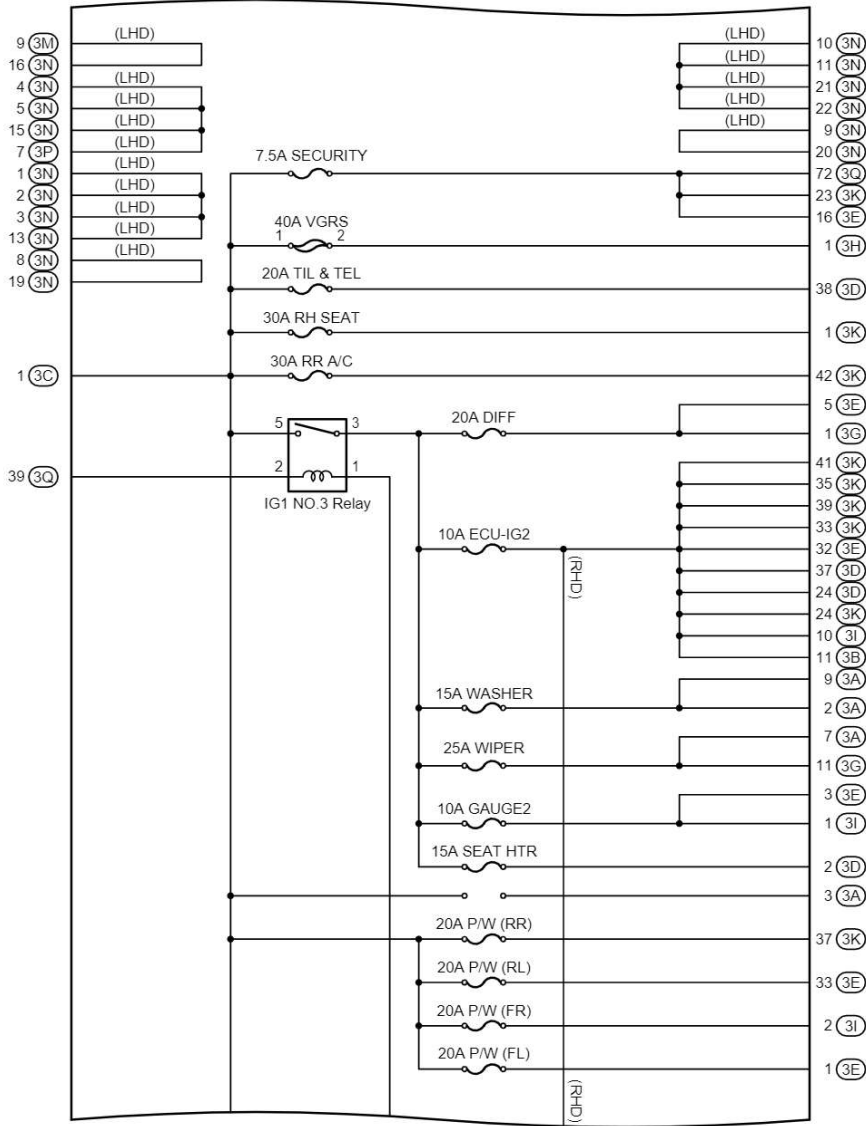
cardiagn.com

(Cont. next page)

D RELAY LOCATIONS

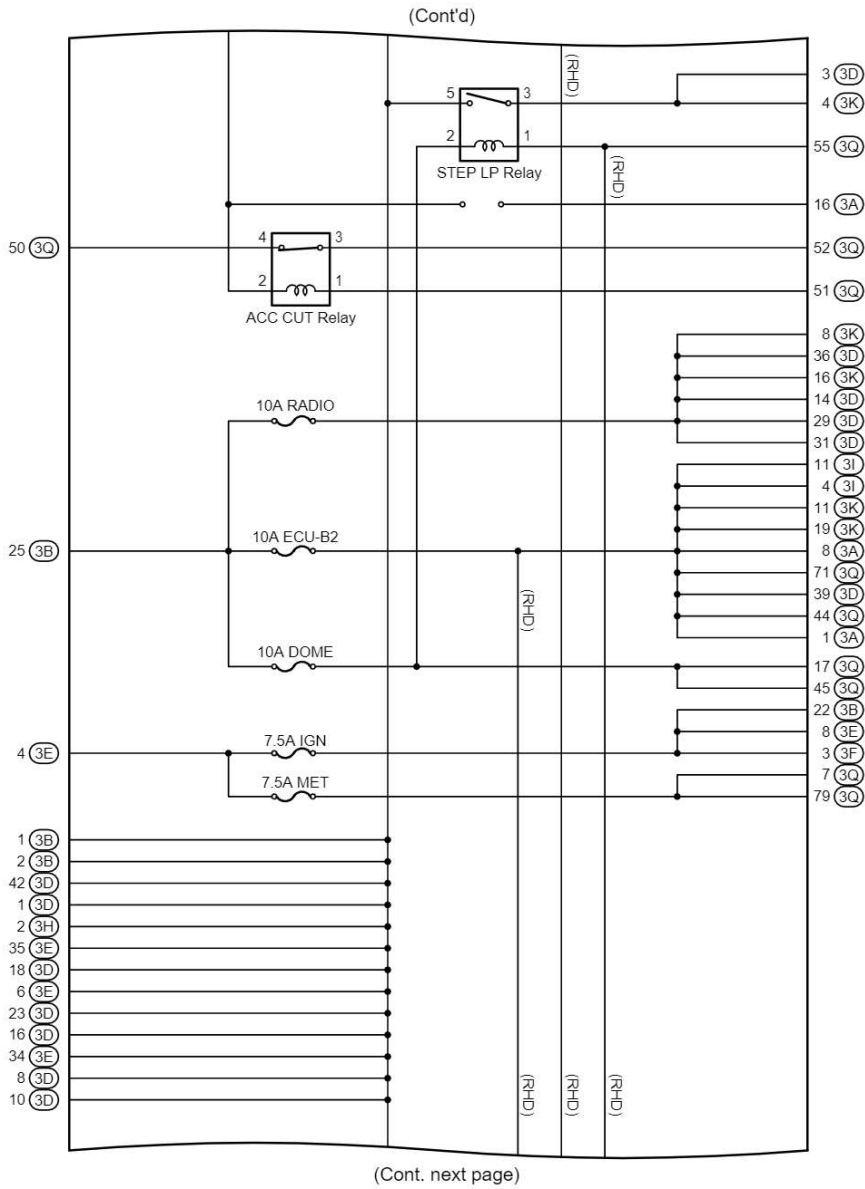
[Cowl Side J/B RH Inner Circuit]

(Cont'd)



(Cont. next page)

cardiagn.com

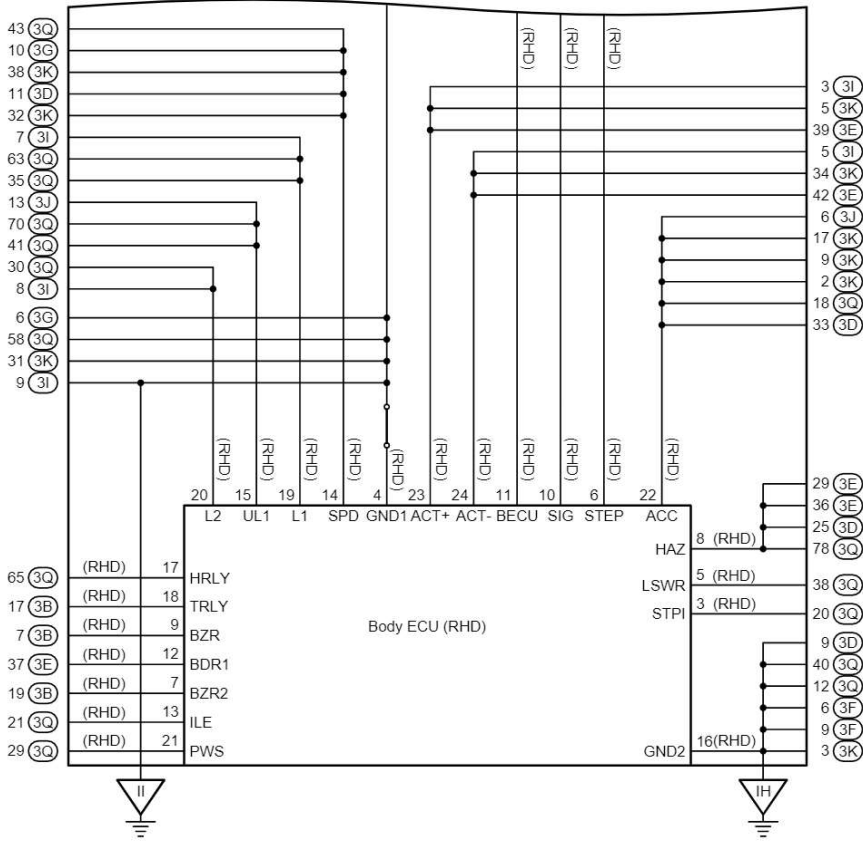


cardiagn.com

D RELAY LOCATIONS

[Cowl Side J/B RH Inner Circuit]

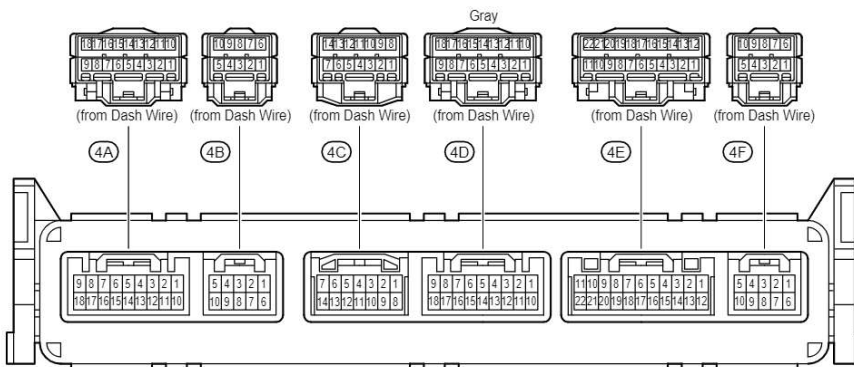
(Cont'd)



cardiagn.com

D RELAY LOCATIONS

○ : J/B No.4	LHD : Instrument Panel Center (See Page 9)
	RHD : Instrument Panel Center (See Page 10)



cardiagn.com

(Cont'd)

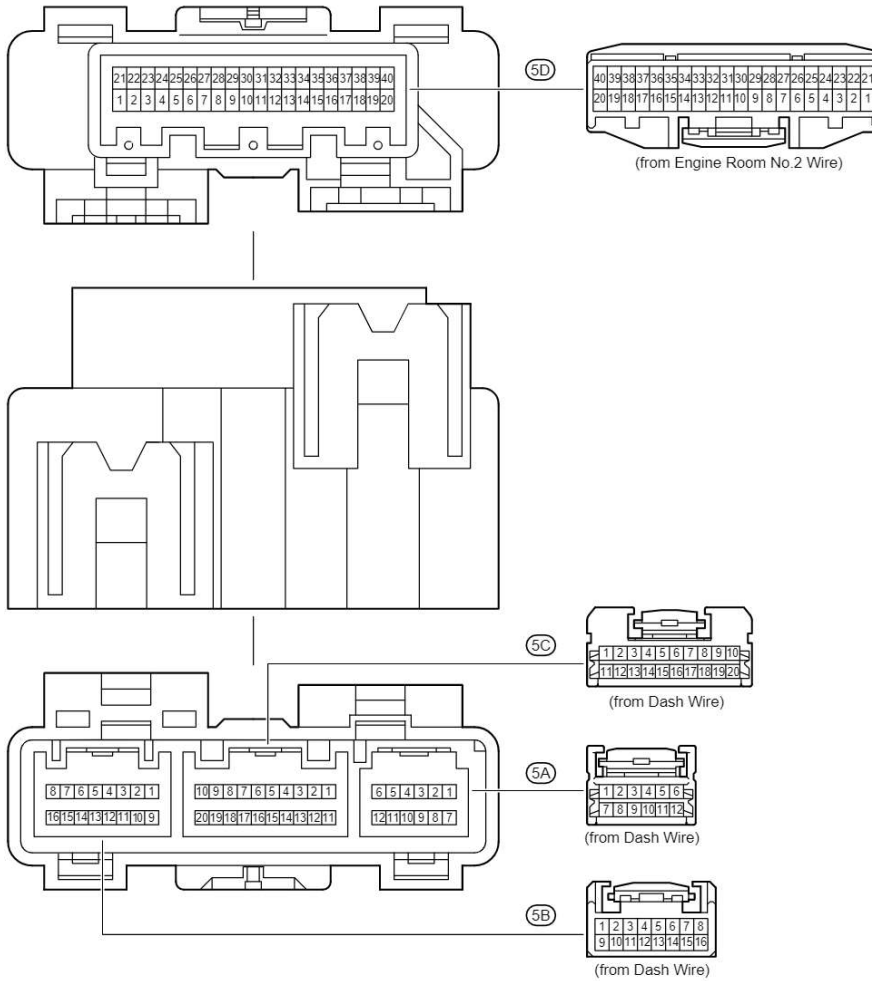


- * 1: 2UZ-FE w/ Navigation System
- * 2: 2UZ-FE Automatic Air Conditioner and w/ o Navigation System
- * 3: 1HD-FTE Except Automatic Air Conditioner, 1FZ-FE, 1HZ
- * 4: 2UZ-FE Except Automatic Air Conditioner
- * 5: 1HD-FTE w/ Navigation System
- * 6: 1HD-FTE Automatic Air Conditioner and w/ o Navigation System

cardiagn.com

D RELAY LOCATIONS

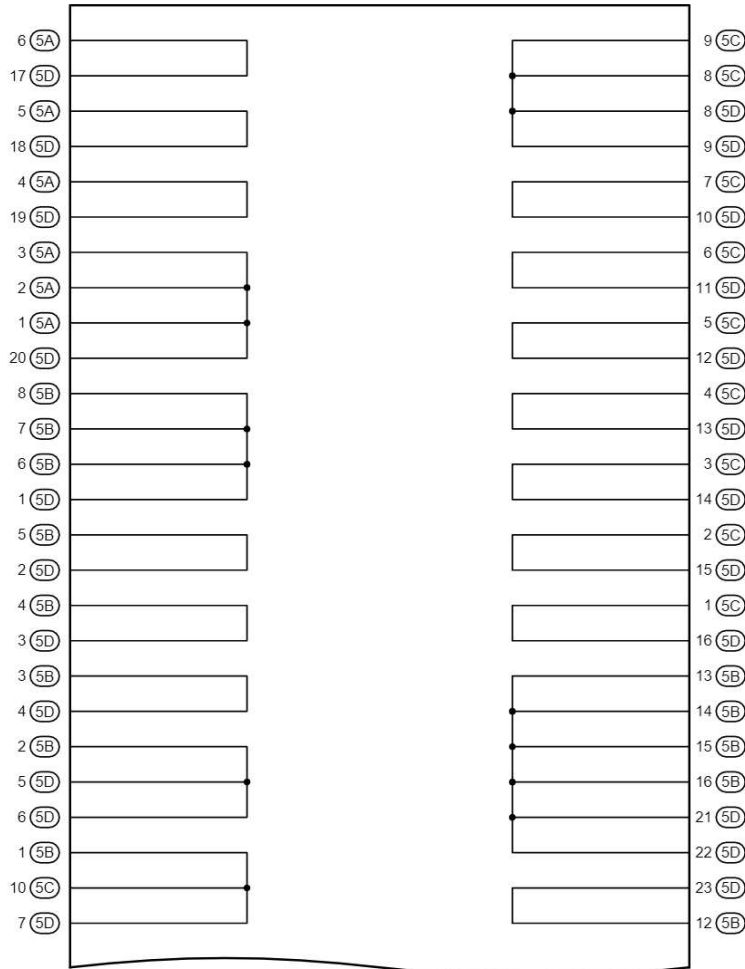
○ : J/B No.5	LHD : Behind the Combination Meter (See Page 9)
	RHD : Behind the Glove Box (See Page 10)



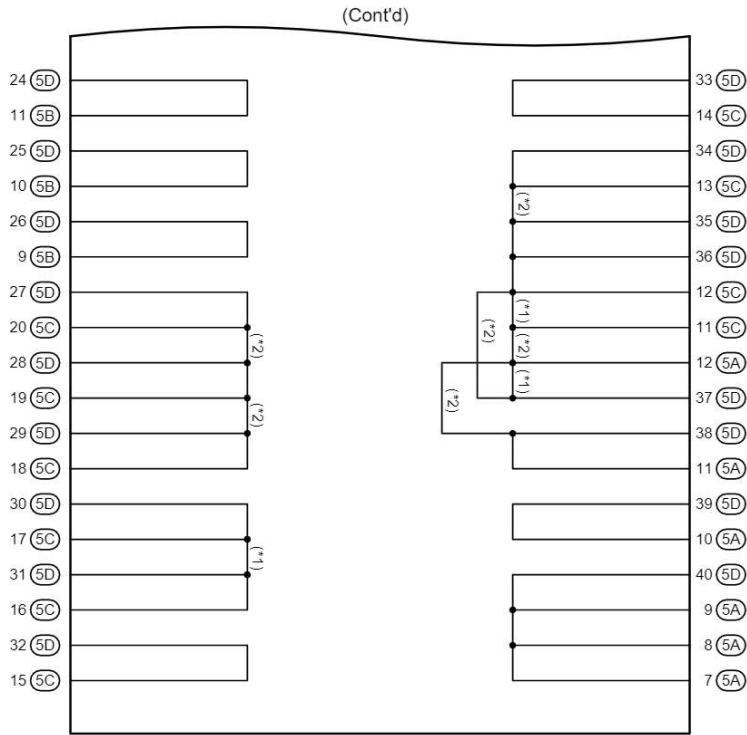
cardiagn.com

D RELAY LOCATIONS

[J/B No.5 Inner Circuit]



cardiagn.com

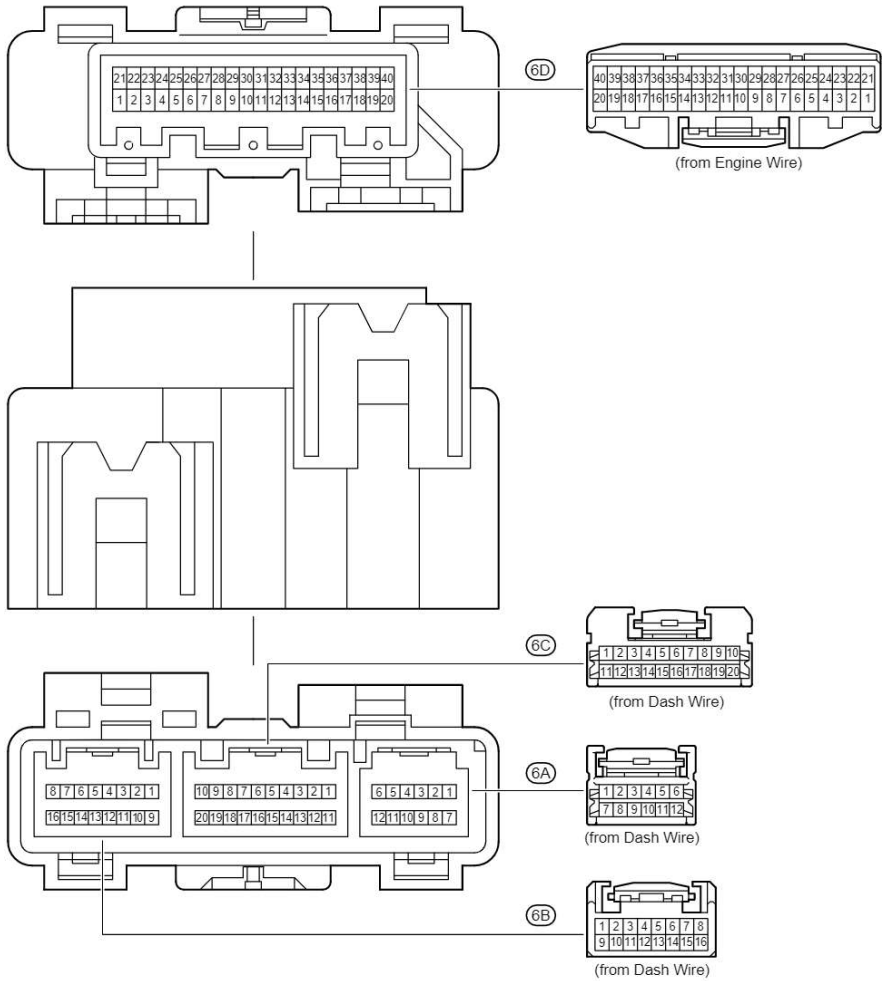


* 1:LHD
 * 2:RHD

cardiagn.com

D RELAY LOCATIONS

○ : J/B No.6	LHD : Behind the Glove Box (See Page 9)
	RHD : Behind the Center Panel (See Page 10)

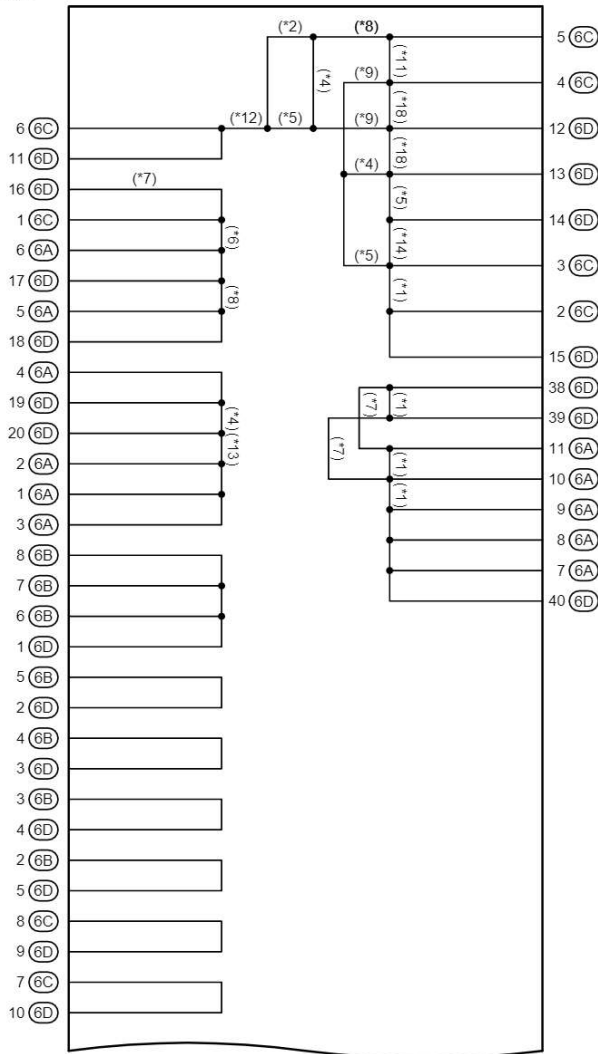


cardiagn.com

D RELAY LOCATIONS

[J/B No.6 Inner Circuit]

- * 1:2UZ-FE
- * 2:1FZ-FE
- * 3:1HD-FTE Except Europe
- * 4:1HD-FTE Europe
- * 5:1HZ
- * 6:*1,*2
- * 7:Except *1
- * 8:*2,*4
- * 9:*4,*5
- *10:Except *2
- *11:*1,*3,*5
- *12:*2,*5
- *13:Except *4
- *14:Except *5
- *15:*2,*4,*5
- *16:*1,*3,*4
- *17:*1,*3
- *18:*1,*2,*3
- *19:*2,*3,*4
- *20:Except *3

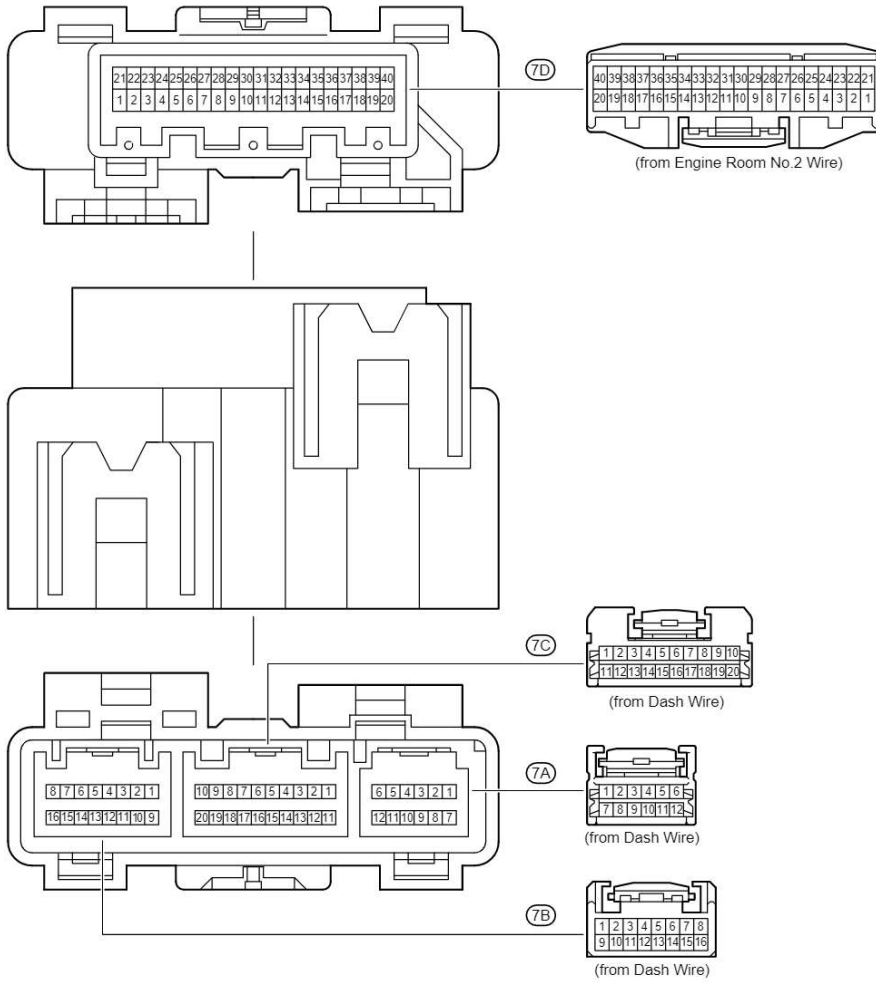


(Cont. next page)

cardiagn.com

D RELAY LOCATIONS

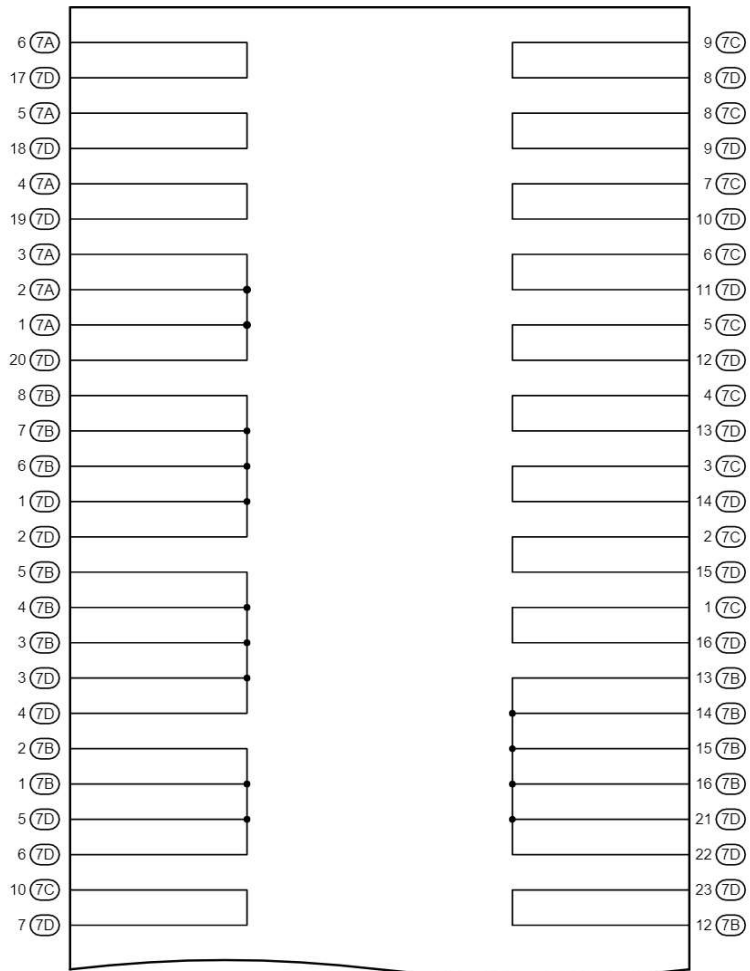
○ : J/B No.7	LHD : Behind the Glove Box (See Page 9)
	RHD : Behind the Combination Meter (See Page 10)



cardiagn.com

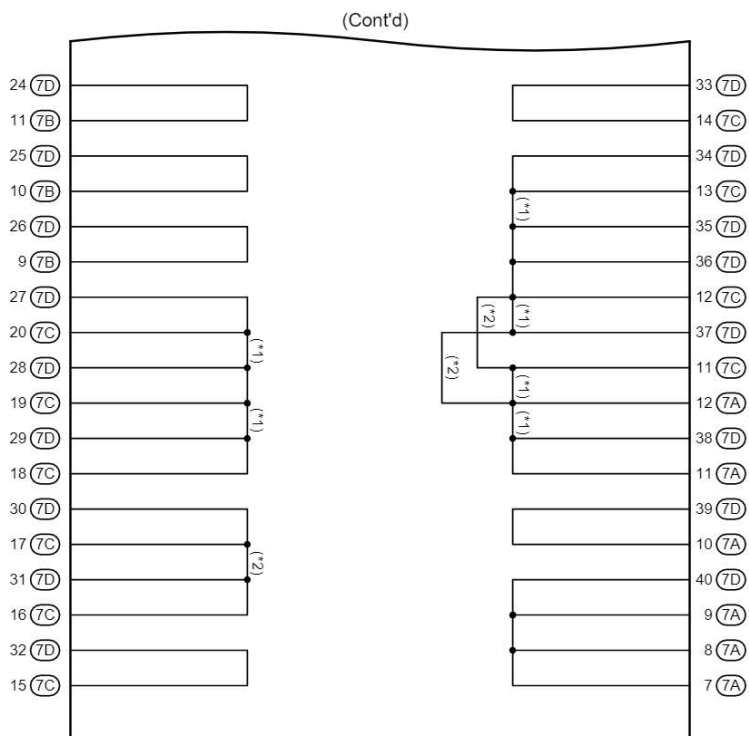
D RELAY LOCATIONS

[J/B No.7 Inner Circuit]



(Cont. next page)

cardiagn.com

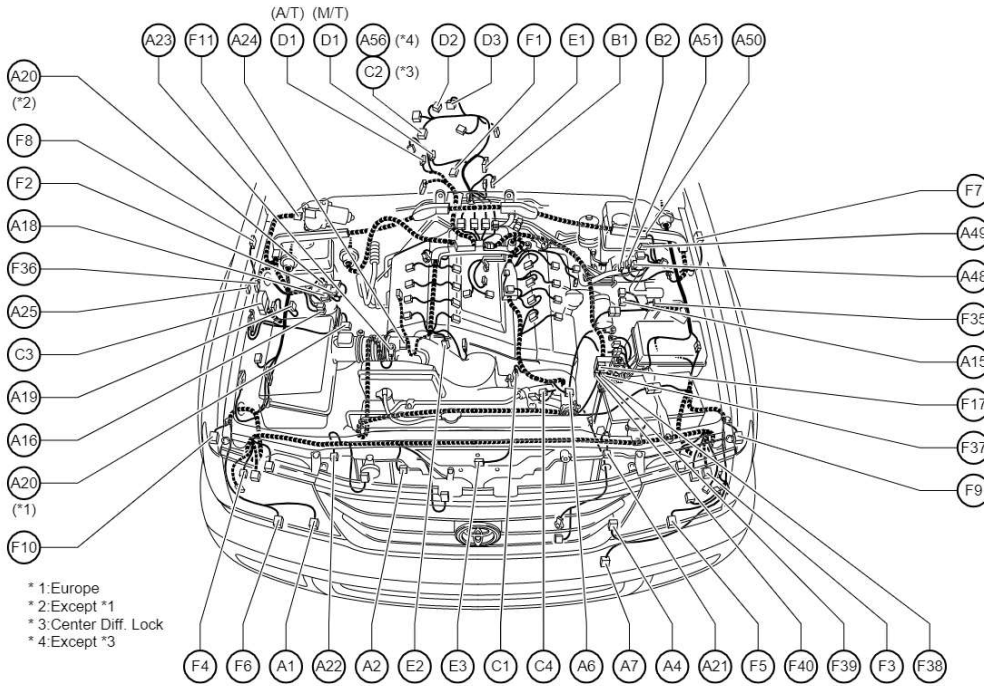


* 1:LHD
* 2:RHD

E ELECTRICAL WIRING ROUTING

Position of Parts in Engine Compartment

[LHD : 2UZ-FE]

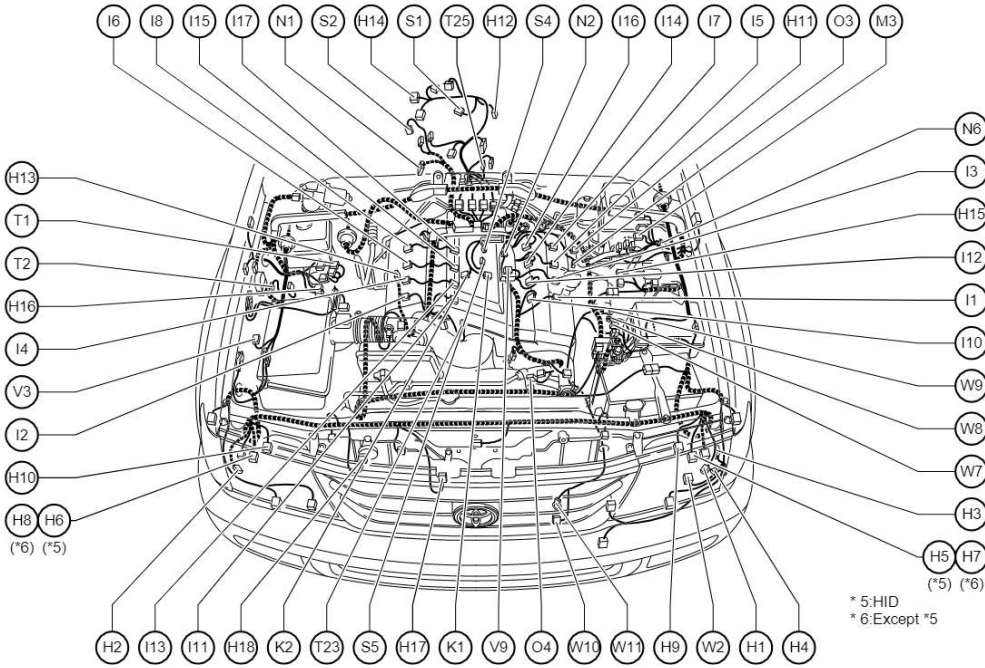


- * 1: Europe
- * 2: Except *1
- * 3: Center Diff. Lock
- * 4: Except *3

- | | |
|---|--|
| A 1 A/C Ambient Temp. Sensor | D 1 Detection SW (Center Diff. Lock) |
| A 2 A/C Condenser Fan Motor | D 2 Detection SW (Transfer L Position) |
| A 4 Pressure SW | D 3 Detection SW (Transfer Neutral Position) |
| A 6 A/C Magnetic Clutch and Lock Sensor | E 1 ECT Solenoid |
| A 7 A/C Magnetic Valve | E 2 EFI Water Temp. Sensor |
| A 15 ABS Speed Sensor Front LH | E 3 Engine Hood Courtesy SW |
| A 16 ABS Speed Sensor Front RH | F 1 First Position SW |
| A 18 AHC Pump Motor | F 2 Fluid Pressure Sensor |
| A 19 Air Cleaner Warning Sensor | F 3 Front Clearance Light LH |
| A 20 Air Flow Meter | F 4 Front Clearance Light RH |
| A 21 Airbag Sensor Front LH | F 5 Front Fog Light LH |
| A 22 Airbag Sensor Front RH | F 6 Front Fog Light RH |
| A 23 Alternator | F 7 Front Side Turn Signal Light LH |
| A 24 Alternator | F 8 Front Side Turn Signal Light RH |
| A 25 Auto Antenna Motor | F 9 Front Turn Signal Light LH |
| A 48 ABS & BA & TRC & VSC Actuator | F 10 Front Turn Signal Light RH |
| A 49 ABS & BA & TRC & VSC Actuator | F 11 Front Wiper Motor |
| A 50 ABS & BA & TRC & VSC Actuator | F 17 Fusible Link Block |
| A 51 ABS & BA & TRC & VSC Actuator | F 35 Fuel Pump Resistor LH |
| A 56 ADD Control Motor | F 36 Fuel Pump Resistor RH |
| B 1 Back-Up Light SW | F 37 Fusible Link Block |
| B 2 Brake Fluid Level Warning SW | F 38 Fusible Link Block |
| C 1 Camshaft Position Sensor | F 39 Fusible Link Block |
| C 2 Center Diff. Lock Control Motor | F 40 Fusible Link Block |
| C 3 Check Connector | |
| C 4 Crankshaft Position Sensor | |

Position of Parts in Engine Compartment

[LHD : 2UZ-FE]



H 1 Headlight Beam Level Control Actuator LH
 H 2 Headlight Beam Level Control Actuator RH
 H 3 Headlight Cleaner Control Relay
 H 4 Headlight Cleaner Motor
 H 5 Headlight Control ECU LH
 H 6 Headlight Control ECU RH
 H 7 Headlight LH (High)
 H 8 Headlight RH (High)
 H 9 Headlight LH (Low)
 H 10 Headlight RH (Low)
 H 11 Heated Oxygen Sensor (Bank 1 Sensor 1)
 H 12 Heated Oxygen Sensor (Bank 1 Sensor 2)
 H 13 Heated Oxygen Sensor (Bank 2 Sensor 1)
 H 14 Heated Oxygen Sensor (Bank 2 Sensor 2)
 H 15 Height Control Sensor Front LH
 H 16 Height Control Sensor Front RH
 H 17 Horn LH
 H 18 Horn RH

I 1 Ignition Coil and Igniter No.1
 I 2 Ignition Coil and Igniter No.2
 I 3 Ignition Coil and Igniter No.3
 I 4 Ignition Coil and Igniter No.4
 I 5 Ignition Coil and Igniter No.5
 I 6 Ignition Coil and Igniter No.6
 I 7 Ignition Coil and Igniter No.7
 I 8 Ignition Coil and Igniter No.8
 I 10 Injector No.1
 I 11 Injector No.2
 I 12 Injector No.3
 I 13 Injector No.4
 I 14 Injector No.5
 I 15 Injector No.6
 I 16 Injector No.7
 I 17 Injector No.8

K 1 Knock Sensor 1
 K 2 Knock Sensor 2
 M 3 Master Cylinder Pressure Sensor
 N 1 A/T Indicator Light SW
 Neutral Start SW
 N 2 Noise Filter (Ignition)
 N 6 Noise Filter (ABS)
 O 3 Oil Level Sensor
 O 4 Oil Pressure Sender
 S 1 Speed Sensor (Combination Meter)
 S 2 Speed Sensor (ECT)
 S 4 Starter
 S 5 Starter

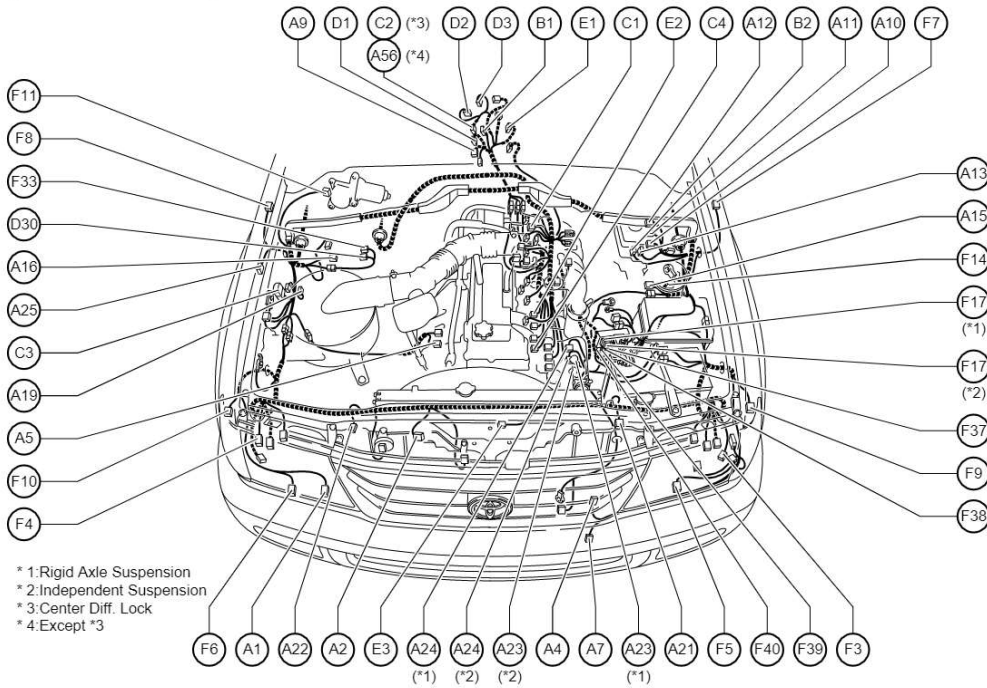
T 1 Temp. Sensor (AHC)
 T 2 Theft Deterrent Horn
 T 23 Throttle Control Motor and Sensor
 T 25 Turbine Speed Sensor
 V 3 Variable Resistor
 V 9 VSV (EVAP)
 W 2 Washer Motor
 W 7 Winch Main Relay
 W 8 Winch Main Relay
 W 9 Winch Main Relay
 W 10 Winch Motor and Magnetic SW
 W 11 Winch Motor and Magnetic SW

* 5: HID
 * 6: Except *5

E ELECTRICAL WIRING ROUTING

Position of Parts in Engine Compartment

[LHD : 1FZ-FE]

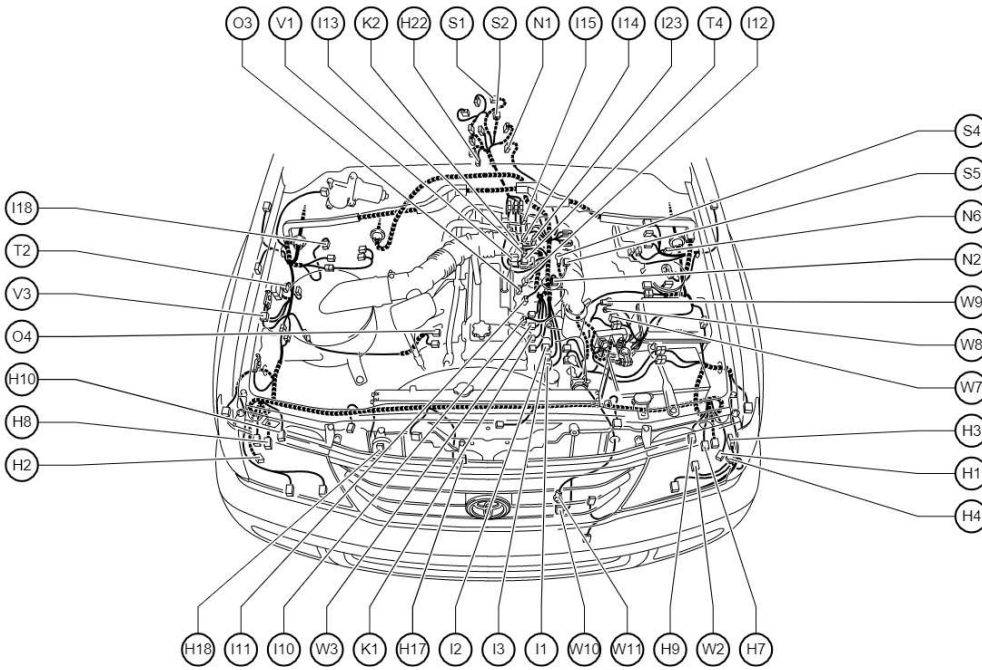


- A 1 A/C Ambient Temp. Sensor
- A 2 A/C Condenser Fan Motor
- A 4 Pressure SW
- A 5 A/C Magnetic Clutch
- A 7 A/C Magnetic Valve
- A 9 A/T Oil Temp. Sensor
- A10 ABS Actuator
- A11 ABS Actuator
- A12 ABS Actuator
- A13 ABS Actuator
- A15 ABS Speed Sensor Front LH
- A16 ABS Speed Sensor Front RH
- A19 Air Cleaner Warning Sensor
- A21 Airbag Sensor Front LH
- A22 Airbag Sensor Front RH
- A23 Alternator
- A24 Alternator
- A25 Auto Antenna Motor
- A56 ADD Control Motor
- B 1 Back-Up Light SW
- B 2 Brake Fluid Level Warning SW
- C 1 Camshaft Position Sensor
- C 2 Center Diff. Lock Control Motor
- C 3 Check Connector
- C 4 Crankshaft Position Sensor

- D 1 Detection SW (Center Diff. Lock)
- D 2 Detection SW (Transfer L Position)
- D 3 Detection SW (Transfer Neutral Position)
- D30 Detection SW (Front Diff. Lock)
- E 1 ECT Solenoid
- E 2 EFI Water Temp. Sensor
- E 3 Engine Hood Courtesy SW
- F 3 Front Clearance Light LH
- F 4 Front Clearance Light RH
- F 5 Front Fog Light LH
- F 6 Front Fog Light RH
- F 7 Front Side Turn Signal Light LH
- F 8 Front Side Turn Signal Light RH
- F 9 Front Turn Signal Light LH
- F10 Front Turn Signal Light RH
- F11 Front Wiper Motor
- F14 Fuel Pump Resistor
- F17 Fusible Link Block
- F33 Front Diff. Lock Motor
- F37 Fusible Link Block
- F38 Fusible Link Block
- F39 Fusible Link Block
- F40 Fusible Link Block

Position of Parts in Engine Compartment

[LHD : 1FZ-FE]



H 1 Headlight Beam Level Control Actuator LH
 H 2 Headlight Beam Level Control Actuator RH
 H 3 Headlight Cleaner Control Relay
 H 4 Headlight Cleaner Motor
 H 7 Headlight LH (High)
 H 8 Headlight RH (High)
 H 9 Headlight LH (Low)
 H10 Headlight RH (Low)
 H17 Horn LH
 H18 Horn RH
 H22 Heated Oxygen Sensor

I 1 Ignition Coil and Igniter No.1
 I 2 Ignition Coil and Igniter No.2
 I 3 Ignition Coil and Igniter No.3
 I 10 Injector No.1
 I 11 Injector No.2
 I 12 Injector No.3
 I 13 Injector No.4
 I 14 Injector No.5
 I 15 Injector No.6
 I 18 Intake Air Temp. Sensor
 I 23 ISC Valve

K 1 Knock Sensor 1
 K 2 Knock Sensor 2

N 1 A/T Indicator Light SW
 Neutral Start SW
 N 2 Noise Filter (Ignition)
 N 6 Noise Filter (ABS)
 O 3 Oil Pressure Sensor
 O 4 Oil Pressure Sender
 S 1 Speed Sensor (Combination Meter)
 S 2 Speed Sensor (ECT)
 S 4 Starter
 S 5 Starter
 T 2 Theft Deterrent Horn
 T 4 Throttle Position Sensor

V 1 Vacuum Sensor
 V 3 Variable Resistor

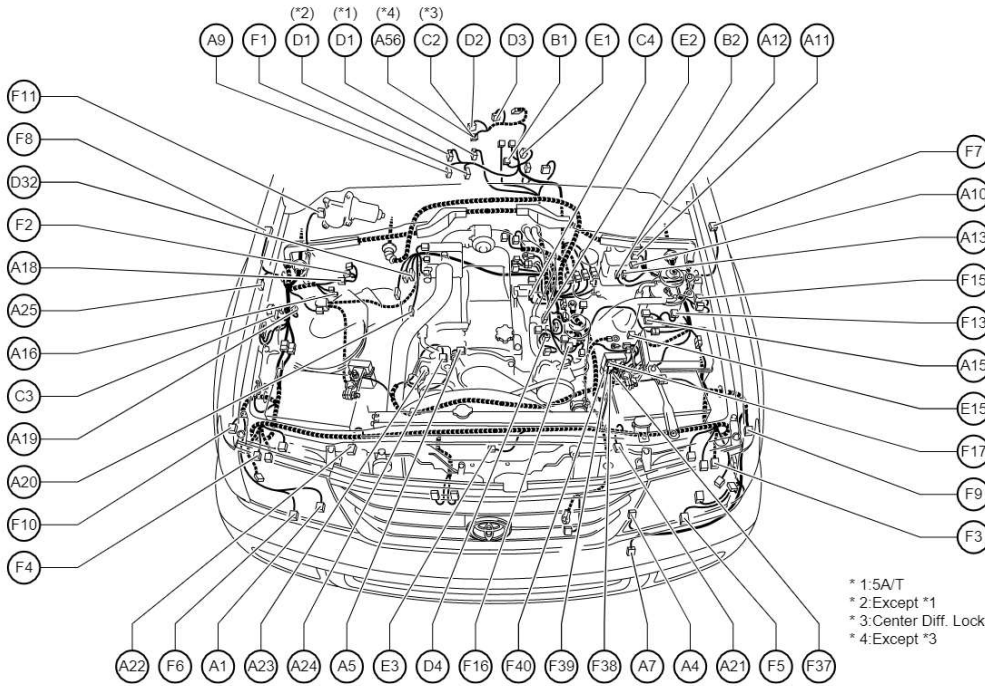
W 2 Washer Motor
 W 3 Water Temp. Sender
 W 7 Winch Main Relay
 W 8 Winch Main Relay
 W 9 Winch Main Relay
 W10 Winch Motor and Magnetic SW
 W11 Winch Motor and Magnetic SW

cardiagn.com

E ELECTRICAL WIRING ROUTING

Position of Parts in Engine Compartment

[LHD : 1HD-FTE]



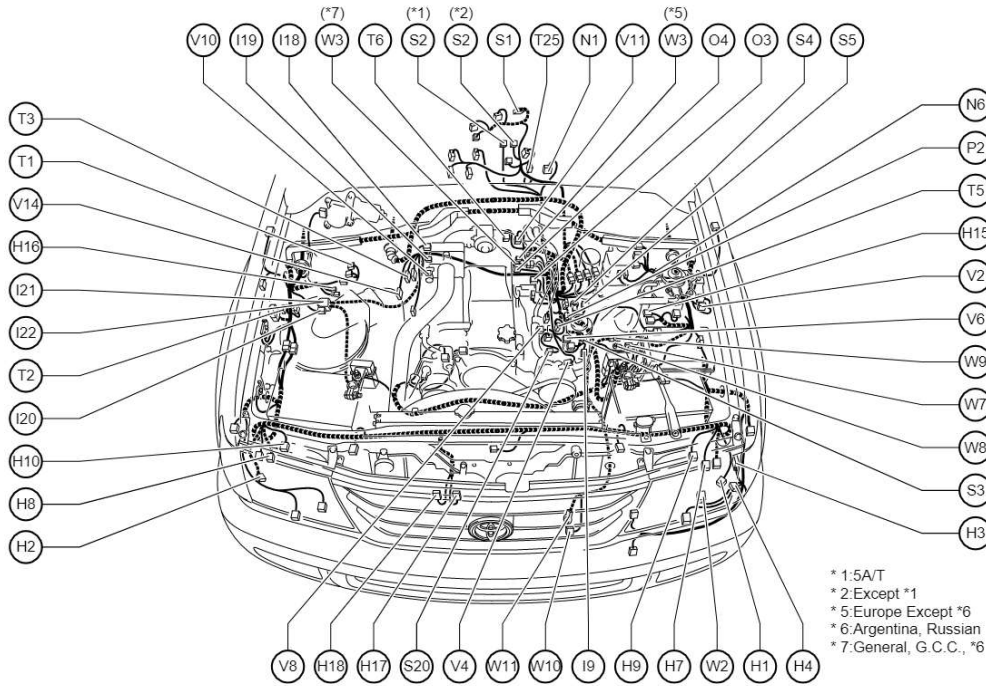
* 1:5A/T
 * 2:Except *1
 * 3:Center Diff. Lock
 * 4:Except *3

- A 1 A/C Ambient Temp. Sensor
- A 4 Pressure SW
- A 5 A/C Magnetic Clutch
- A 7 A/C Magnetic Valve
- A 9 A/T Oil Temp. Sensor
- A 10 ABS Actuator
- A 11 ABS Actuator
- A 12 ABS Actuator
- A 13 ABS Actuator
- A 15 ABS Speed Sensor Front LH
- A 16 ABS Speed Sensor Front RH
- A 18 AHC Pump Motor
- A 19 Air Cleaner Warning Sensor
- A 20 Air Flow Meter
- A 21 Airbag Sensor Front LH
- A 22 Airbag Sensor Front RH
- A 23 Alternator
- A 24 Alternator
- A 25 Auto Antenna Motor
- A 56 ADD Control Motor
- B 1 Back-Up Light SW
- B 2 Brake Fluid Level Warning SW
- C 2 Center Diff. Lock Control Motor
- C 3 Check Connector
- C 4 Crankshaft Position Sensor

- D 1 Detection SW (Center Diff. Lock)
- D 2 Detection SW (Transfer L. Position)
- D 3 Detection SW (Transfer Neutral Position)
- D 4 Diesel Engine Revolution Sensor
- D 32 Diesel Throttle Position SW
- E 1 ECT Solenoid
- E 2 EFI Water Temp. Sensor
- E 3 Engine Hood Courtesy SW
- E 15 EDU
- F 1 First Position SW
- F 2 Fluid Pressure Sensor
- F 3 Front Clearance Light LH
- F 4 Front Clearance Light RH
- F 5 Front Fog Light LH
- F 6 Front Fog Light RH
- F 7 Front Side Turn Signal Light LH
- F 8 Front Side Turn Signal Light RH
- F 9 Front Turn Signal Light LH
- F 10 Front Turn Signal Light RH
- F 11 Front Wiper Motor
- F 13 Fuel Heater SW
- F 15 Fuel Sediment SW
- F 16 Fuel Temp. Sensor
- F 17 Fusible Link Block
- F 37 Fusible Link Block
- F 38 Fusible Link Block
- F 39 Fusible Link Block
- F 40 Fusible Link Block

Position of Parts in Engine Compartment

[LHD : 1HD-FTE]



- | | |
|--|--------------------------------------|
| H 1 Headlight Beam Level Control Actuator LH | S 1 Speed Sensor (Combination Meter) |
| H 2 Headlight Beam Level Control Actuator RH | S 2 Speed Sensor (ECT) |
| H 3 Headlight Cleaner Control Relay | S 3 Spill Valve |
| H 4 Headlight Cleaner Motor | S 4 Starter |
| H 7 Headlight LH (High) | S 5 Starter |
| H 8 Headlight RH (High) | S20 Swirl Control Valve |
| H 9 Headlight LH (Low) | T 1 Temp. Sensor (AHC) |
| H10 Headlight RH (Low) | T 2 Theft Deterrent Horn |
| H15 Height Control Sensor Front LH | T 3 Throttle Control Motor |
| H16 Height Control Sensor Front RH | T 5 Timing Control Valve |
| H17 Horn LH | T 6 Turbo Pressure Sensor |
| H18 Horn RH | T25 Turbine Speed Sensor |
| I 9 Injection Pump | V 2 Vacuum SW |
| I 18 Intake Air Temp. Sensor | V 4 Viscous Heater Magnetic Clutch |
| I 19 Intake Heater | V 6 VRV (EGR) |
| I 20 Intake Heater Relay | V 8 VSV (EGR Cut) |
| I 21 Intake Heater Relay | V10 VSV (Fully Closed) |
| I 22 Intake Heater Relay | V11 VSV (Turbo Pressure Sensor) |
| N 1 A/T Indicator Light SW | V14 VRV (EGR No.2) |
| Neutral Start SW | W 2 Washer Motor |
| N 6 Noise Filter (ABS) | W 3 Water Temp. Sender |
| O 3 Oil Level Sensor | W 7 Winch Main Relay |
| O 4 Oil Pressure Sender | W 8 Winch Main Relay |
| P 2 Power Steering Oil Pressure SW | W 9 Winch Main Relay |
| | W10 Winch Motor and Magnetic SW |
| | W11 Winch Motor and Magnetic SW |

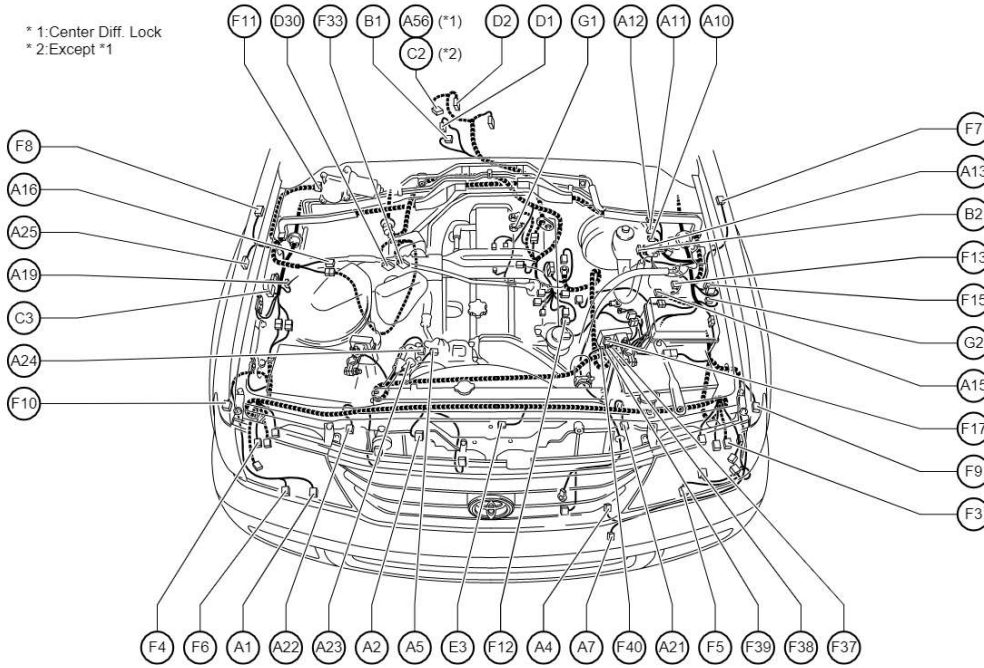
* 1:5A/T
 * 2:Except *1
 * 5:Europe Except *6
 * 6:Argentina, Russian
 * 7:General, G.C.C., *6

E ELECTRICAL WIRING ROUTING

Position of Parts in Engine Compartment

[LHD : 1HZ]

* 1:Center Diff. Lock
* 2:Except *1



- A 1 A/C Ambient Temp. Sensor
- A 2 A/C Condenser Fan Motor
- A 4 Pressure SW
- A 5 A/C Magnetic Clutch
- A 7 A/C Magnetic Valve
- A10 ABS Actuator
- A11 ABS Actuator
- A12 ABS Actuator
- A13 ABS Actuator
- A15 ABS Speed Sensor Front LH
- A16 ABS Speed Sensor Front RH
- A19 Air Cleaner Warning Sensor
- A21 Airbag Sensor Front LH
- A22 Airbag Sensor Front RH
- A23 Alternator
- A24 Alternator
- A25 Auto Antenna Motor
- A56 ADD Control Motor
- B 1 Back-Up Light SW
- B 2 Brake Fluid Level Warning SW
- C 2 Center Diff. Lock Control Motor
- C 3 Check Connector

- D 1 Detection SW (Center Diff. Lock)
- D 2 Detection SW (Transfer L. Position)
- D30 Detection SW (Front Diff. Lock)

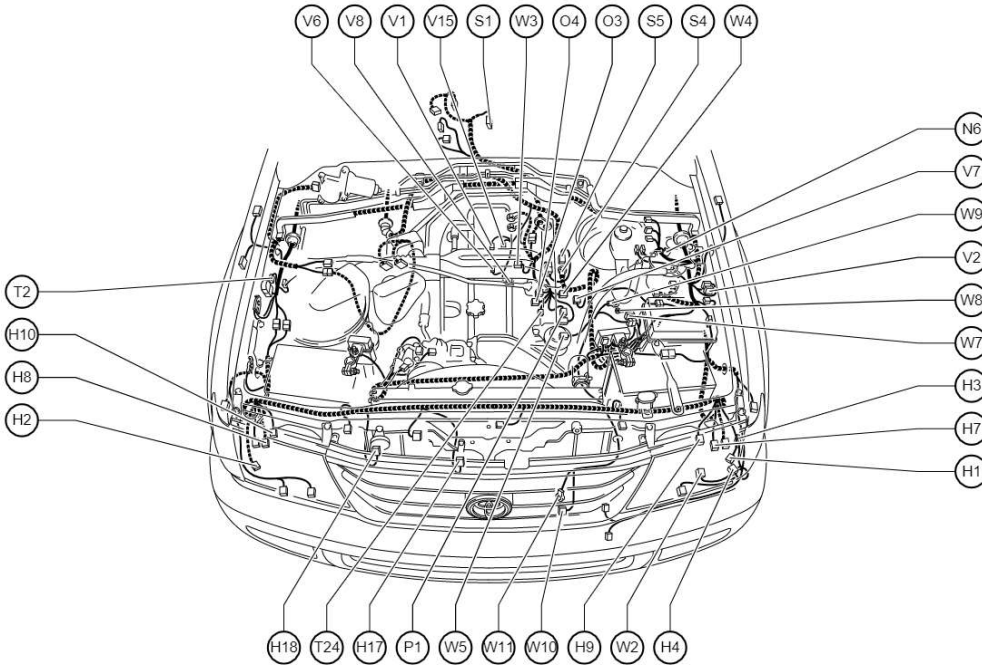
- E 3 Engine Hood Courtesy SW

- F 3 Front Clearance Light LH
- F 4 Front Clearance Light RH
- F 5 Front Fog Light LH
- F 6 Front Fog Light RH
- F 7 Front Side Turn Signal Light LH
- F 8 Front Side Turn Signal Light RH
- F 9 Front Turn Signal Light LH
- F10 Front Turn Signal Light RH
- F11 Front Wiper Motor
- F12 Fuel Cut Valve Controller
- F13 Fuel Heater SW
- F15 Fuel Sediment SW
- F17 Fusible Link Block
- F33 Front Diff. Lock Motor
- F37 Fusible Link Block
- F38 Fusible Link Block
- F39 Fusible Link Block
- F40 Fusible Link Block

- G 1 Glow Plug
- G 2 Glow Plug Relay

Position of Parts in Engine Compartment

[LHD : 1HZ]



H 1 Headlight Beam Level Control Actuator LH
 H 2 Headlight Beam Level Control Actuator RH
 H 3 Headlight Cleaner Control Relay
 H 4 Headlight Cleaner Motor
 H 7 Headlight LH (High)
 H 8 Headlight RH (High)
 H 9 Headlight LH (Low)
 H10 Headlight RH (Low)
 H17 Horn LH
 H18 Horn RH

N 6 Noise Filter (ABS)

O 3 Oil Level Sensor
 O 4 Oil Pressure Sender

P 1 Pick-Up Sensor

S 1 Speed Sensor (Combination Meter)
 S 4 Starter
 S 5 Starter

T 2 Theft Deterrent Horn
 T24 Throttle Position Sensor and Timing Control Valve

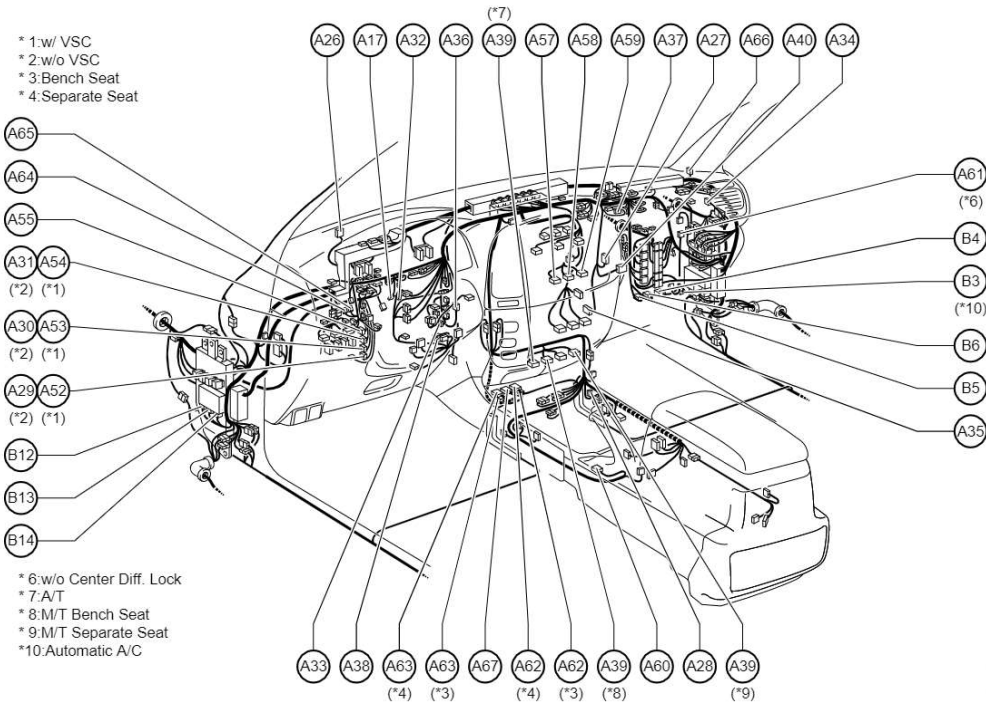
V 1 Vacuum Sensor
 V 2 Vacuum SW
 V 6 VRV (EGR)
 V 7 VSV (A/C Idle-UP)
 V 8 VSV (EGR Cut)
 V15 VSV (BACS)

W 2 Washer Motor
 W 3 Water Temp. Sender
 W 4 Water Temp. Sensor (Glow Plug)
 W 5 Water Temp. SW (A/C)
 W 7 Winch Main Relay
 W 8 Winch Main Relay
 W 9 Winch Main Relay
 W10 Winch Motor and Magnetic SW
 W11 Winch Motor and Magnetic SW

E ELECTRICAL WIRING ROUTING

Position of Parts in Instrument Panel

[LHD]



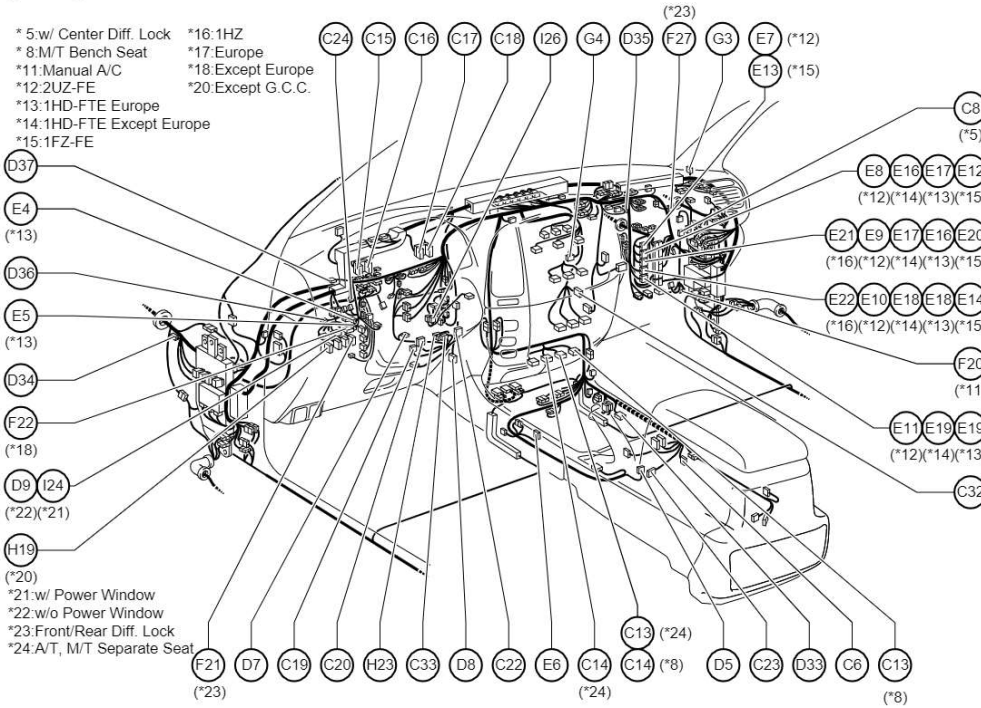
- * 1:w/ VSC
- * 2:w/o VSC
- * 3:Bench Seat
- * 4:Separate Seat

- * 6:w/o Center Diff. Lock
- * 7:A/T
- * 8:M/T Bench Seat
- * 9:M/T Separate Seat
- *10:Automatic A/C

- | | |
|---|-------------------------------------|
| A 17 Accel Position Sensor | A 58 A/C Control Assembly |
| A 26 A/C Solar Sensor | A 59 A/C Control Assembly |
| A 27 A/C Thermistor | A 60 A/T Shift Lever Illumination |
| A 28 ABS Deceleration Sensor | Shift Lock Control ECU |
| A 29 ABS ECU | A 61 ADD Control Relay |
| A 30 ABS ECU | A 62 Airbag Sensor Assembly |
| A 31 ABS ECU | A 63 Airbag Sensor Assembly |
| A 32 Accelerator Pedal SW | A 64 Auto Wiper ECU |
| A 33 AHC Main Relay | Short Connector |
| A 34 Air Inlet Control Servo Motor | A 65 Auto Wiper ECU |
| A 35 Air Mix Control Servo Motor | A 66 Automatic Light Control Sensor |
| A 36 Air Vent Mode Control Servo Motor | A 67 Airbag Sensor Assembly |
| A 37 Airbag Squib (Front Passenger Airbag Assembly) | |
| A 38 Airbag Squib (Steering Wheel Pad) | B 3 Blower Motor Controller |
| A 39 Ashtray Illumination | B 4 Blower HI Relay |
| A 40 Auto Antenna Control Relay | B 5 Blower LO Relay |
| A 52 ABS & BA & TRC & VSC ECU | B 6 Blower ME Relay |
| A 53 ABS & BA & TRC & VSC ECU | B 12 Body ECU |
| A 54 ABS & BA & TRC & VSC ECU | B 13 Body ECU |
| A 55 ABS & BA & TRC & VSC ECU | B 14 Body ECU |
| A 57 A/C Control Assembly | |

Position of Parts in Instrument Panel

[LHD]



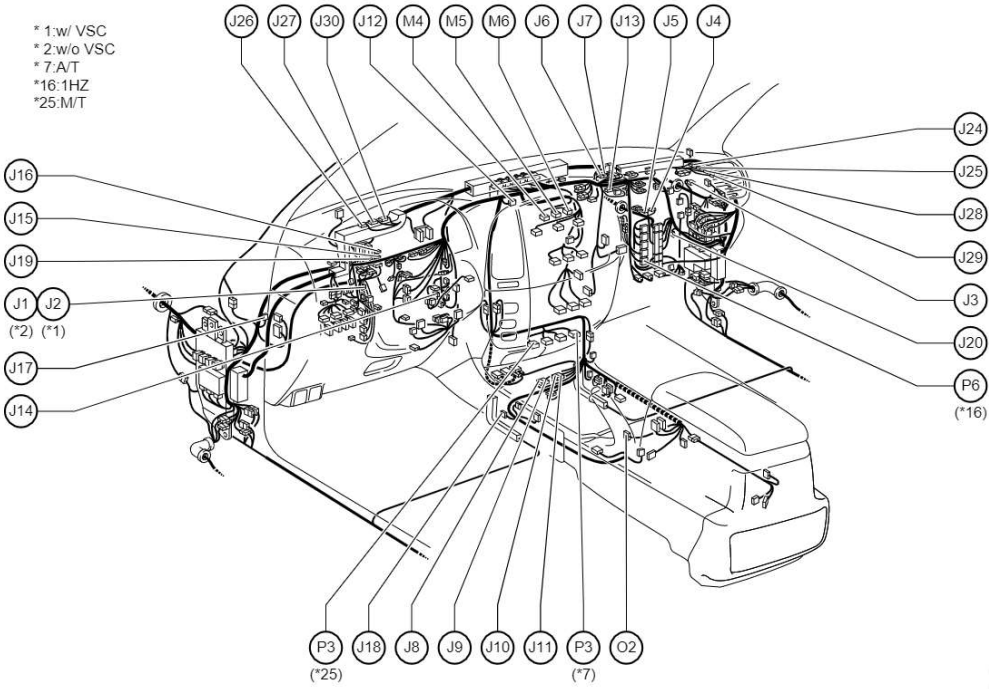
- * 5:w/ Center Diff. Lock *16:1HZ
 * 8:M/T Bench Seat *17:Europe
 *11:Manual A/C *18:Except Europe
 *12:2UZ-FE *20:Except G.C.C.
 *13:1HD-FTE Europe
 *14:1HD-FTE Except Europe
 *15:1FZ-FE
 *21:w/ Power Window
 *22:w/o Power Window
 *23:Front/Rear Diff. Lock
 *24:A/T, M/T Separate Seat
- C 6 CD Automatic Changer
 - C 8 Center Diff. Lock Control Relay
 - C 13 Cigarette Lighter
 - C 14 Cigarette Lighter Illumination
 - C 15 Combination Meter
 - C 16 Combination Meter
 - C 17 Combination Meter
 - C 18 Combination Meter
 - C 19 Combination SW
 - C 20 Combination SW
 - C 22 Combination SW
 - C 23 Cooler Box
 - C 24 Cruise Control Clutch SW
 - C 32 Center Cluster Integration Panel
 - C 33 Combination SW
 - D 5 Damping Mode Select SW and Height Control SW
 - D 7 Diode (Front Fog No.1)
 - D 8 DLC3
 - D 9 Door Lock Control SW
 - D 33 Deceleration Sensor
 - D 34 Diode (Front Fog No.2)
 - D 35 Diode (Viscous Heater1)
 - D 36 Diode (Viscous Heater2)
 - D 37 Double Lock Control Relay
 - E 4 ECT ECU
 - E 5 ECT ECU
 - E 6 ECT Pattern Select SW
 - E 7 Engine and ECT ECU
 - E 8 Engine and ECT ECU
 - E 9 Engine and ECT ECU

- E 10 Engine and ECT ECU
- E 11 Engine and ECT ECU
- E 12 Engine and ECT ECU
- E 13 Engine and ECT ECU
- E 14 Engine and ECT ECU
- E 16 Engine and ECT ECU
- E 17 Engine and ECT ECU
- E 18 Engine and ECT ECU
- E 19 Engine and ECT ECU
- E 20 Engine and ECT ECU
- E 21 Emission Control ECU
- E 22 Emission Control ECU
- F 20 Front Blower Resistor
- F 21 Front/Rear Diff. Lock Control SW
- F 22 Fuel Tank Changeover SW
- F 27 Front/Rear Diff. Lock Control ECU
- G 3 Glove Box Light
- G 4 Gateway ECU
- H 19 Headlight Beam Level Control SW
- H 23 Headlight Cleaner SW
- I 24 Idle-Up SW
- I 26 Ignition SW

E ELECTRICAL WIRING ROUTING

Position of Parts in Instrument Panel

[LHD]



- J 1 Junction Connector
- J 2 Junction Connector
- J 3 Junction Connector
- J 4 Junction Connector
- J 5 Junction Connector
- J 6 Junction Connector
- J 7 Junction Connector
- J 8 Junction Connector
- J 9 Junction Connector
- J 10 Junction Connector
- J 11 Junction Connector
- J 12 Junction Connector
- J 13 Junction Connector
- J 14 Junction Connector
- J 15 Junction Connector
- J 16 Junction Connector
- J 17 Junction Connector
- J 18 Junction Connector

- J 19 Junction Connector
- J 20 Junction Connector
- J 24 Junction Connector
- J 25 Junction Connector
- J 26 Junction Connector
- J 27 Junction Connector
- J 28 Junction Connector
- J 29 Junction Connector
- J 30 Junction Connector

- M 4 Multi-Display
- M 5 Multi-Display
- M 6 Multi-Display

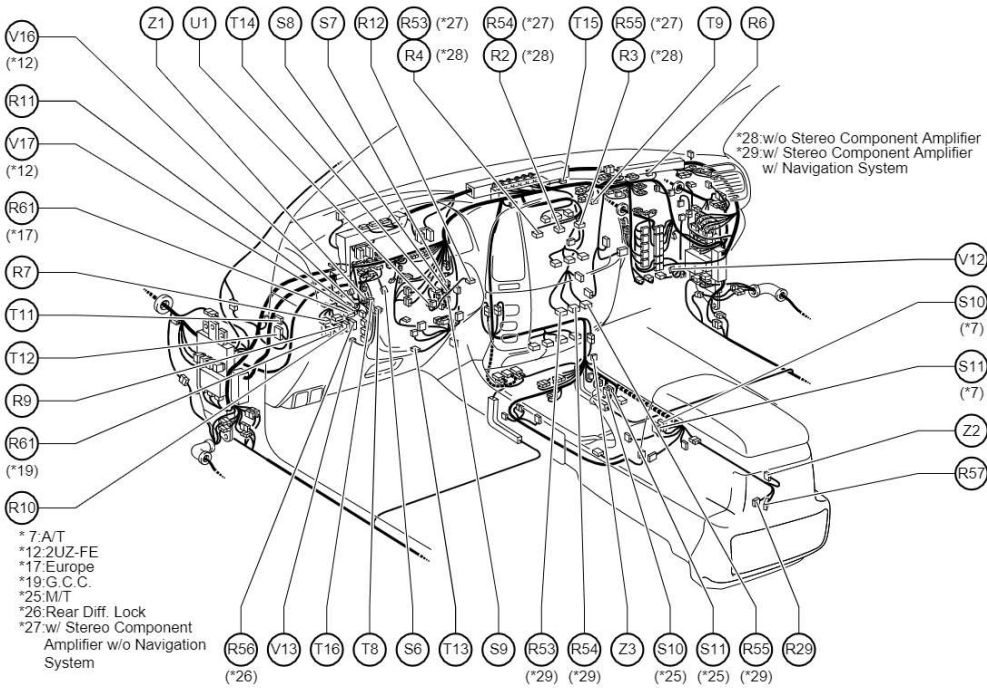
O 2 O/D Main SW

- P 3 Power Outlet (Front)
- P 6 Pre-Heating Timer

cardiagn.com

Position of Parts in Instrument Panel

[LHD]



R 2 Radio and Player
R 3 Radio and Player
R 4 Radio and Player
R 6 Rear Diff. Lock Control ECU
R 7 Rear Fog Light SW
R 9 Remote Control Mirror SW
R10 Remote Control Mirror SW
R11 Rheostat
R12 Room Temp. Sensor (Front)
R29 Rear Heater Control SW
R53 Radio and Player
R54 Radio and Player
R55 Radio and Player
R56 Rear Diff. Lock Control SW
R57 Rear Seat Audio Controller
R61 Roll Sensing of Curtain Shield Airbags Cutoff SW

T 8 Telescopic Motor
T 9 Theft Deterrent ECU
T 11 Tilt and Telescopic ECU
T 12 Tilt and Telescopic ECU
T 13 Tilt Motor
T 14 Ignition Key Cylinder Light
T 16 Turn Signal Flasher

U 1 Unlock Warning SW

V12 Viscous Heater Amplifier
V13 VSC Warning Buzzer
V16 VGRS ECU
V17 VGRS ECU

S 6 Stop Light SW
S 7 Suspension Control ECU
S 8 Suspension Control ECU
S 9 Suspension Control ECU
S10 Seat Heater SW (Driver's Seat)
S11 Seat Heater SW (Front Passenger's Seat)

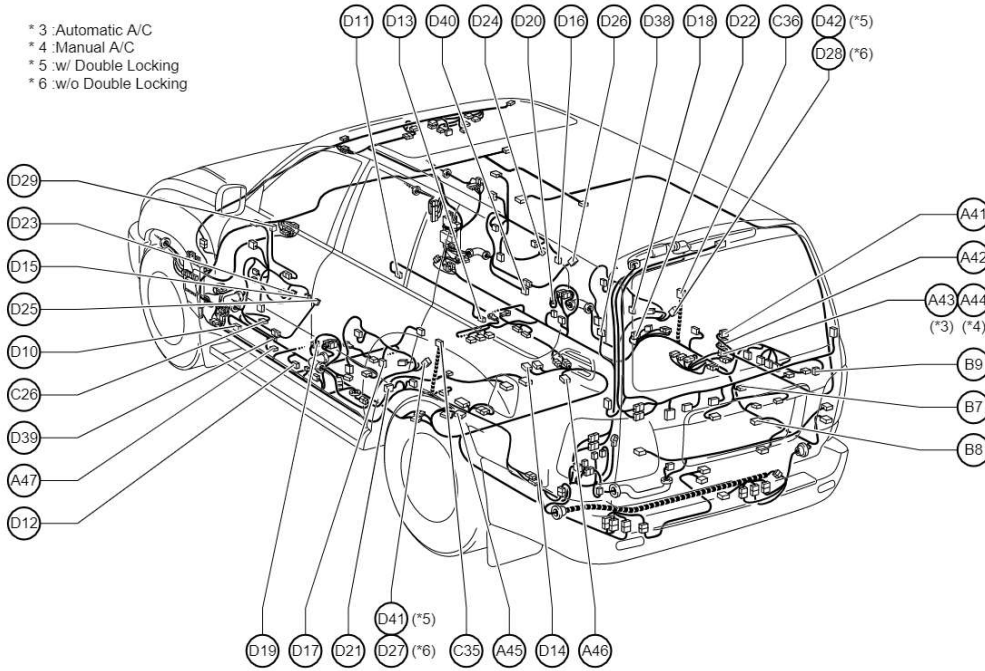
Z 1 Option Connector (Glass Breakage Sensor)
Z 2 Option Connector (Hand Set)
Z 3 Option Connector (Radar Sensor)

E ELECTRICAL WIRING ROUTING

Position of Parts in Body

[LHD : Liftgate Type]

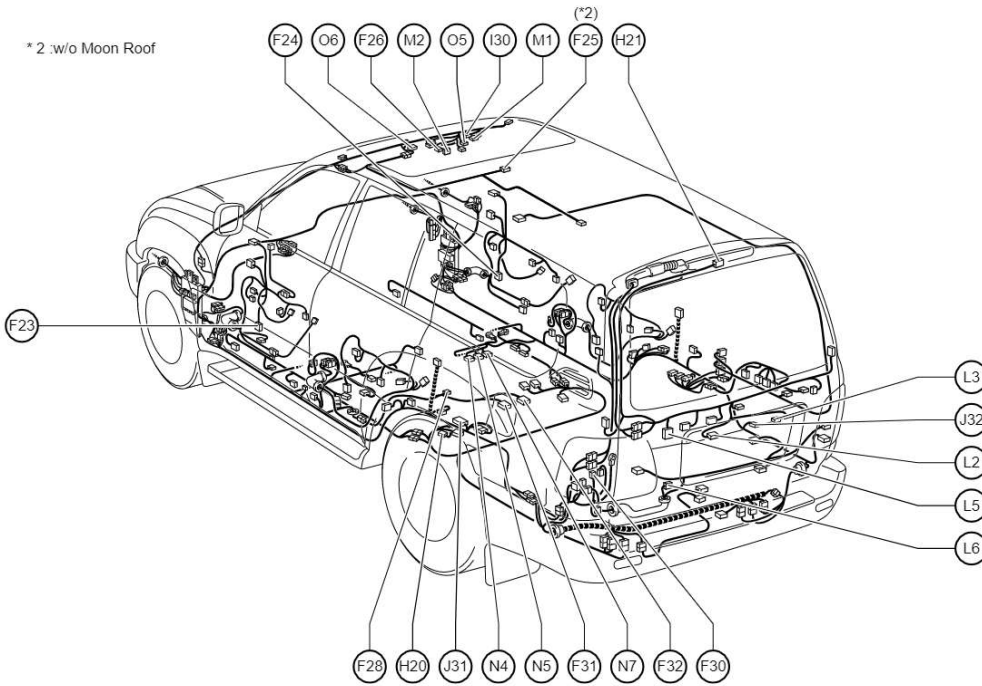
- * 3 :Automatic A/C
- * 4 :Manual A/C
- * 5 :w/ Double Locking
- * 6 :w/o Double Locking



- | | |
|---|------------------------------------|
| A41 A/C Amplifier | D22 Door Courtesy SW Rear RH |
| A42 A/C Amplifier | D23 Door Key Lock and Unlock SW LH |
| A43 A/C Amplifier | D24 Door Key Lock and Unlock SW RH |
| A44 A/C Amplifier | D25 Door Lock Motor Front LH |
| A45 ABS Speed Sensor Rear LH | Door Unlock Detection SW Front LH |
| A46 ABS Speed Sensor Rear RH | D26 Door Lock Motor Front RH |
| A47 Accumulator Solenoid | Door Unlock Detection SW Front RH |
| B 7 Back Door Courtesy SW | D27 Door Lock Motor Rear LH |
| B 8 Back Door Key Lock and Unlock SW | Door Unlock Detection SW Rear LH |
| B 9 Back Door Lock Motor and | D28 Door Lock Motor Rear RH |
| Back Door Unlock Detection SW | Door Unlock Detection SW Rear RH |
| C26 Control Valve Assembly | D29 Driving Position Memory SW |
| C35 Curtain Shield Airbag Squib LH | D38 Door Control Receiver |
| C36 Curtain Shield Airbag Squib RH | D39 Door Lock Motor Front LH |
| D10 Damping Force Control Actuator Front LH | Door Unlock Detection SW Front LH |
| D11 Damping Force Control Actuator Front RH | Double Lock Motor Front LH |
| D12 Damping Force Control Actuator Rear LH | Double Lock Position SW Front LH |
| D13 Damping Force Control Actuator Rear RH | D40 Door Lock Motor Front RH |
| D14 Detection SW (Rear Diff. Lock) | Door Unlock Detection SW Front RH |
| D15 Door Courtesy Light Front LH | Double Lock Motor Front RH |
| D16 Door Courtesy Light Front RH | Double Lock Position SW Front RH |
| D17 Door Courtesy Light Rear LH | D41 Door Lock Motor Rear LH |
| D18 Door Courtesy Light Rear RH | Door Unlock Detection SW Rear LH |
| D19 Door Courtesy SW Front LH | Double Lock Motor Rear LH |
| D20 Door Courtesy SW Front RH | Double Lock Position SW Rear LH |
| D21 Door Courtesy SW Rear LH | D42 Door Lock Motor Rear RH |
| | Door Unlock Detection SW Rear RH |
| | Double Lock Motor Rear RH |
| | Double Lock Position SW Rear RH |

Position of Parts in Body

[LHD : Liftgate Type]

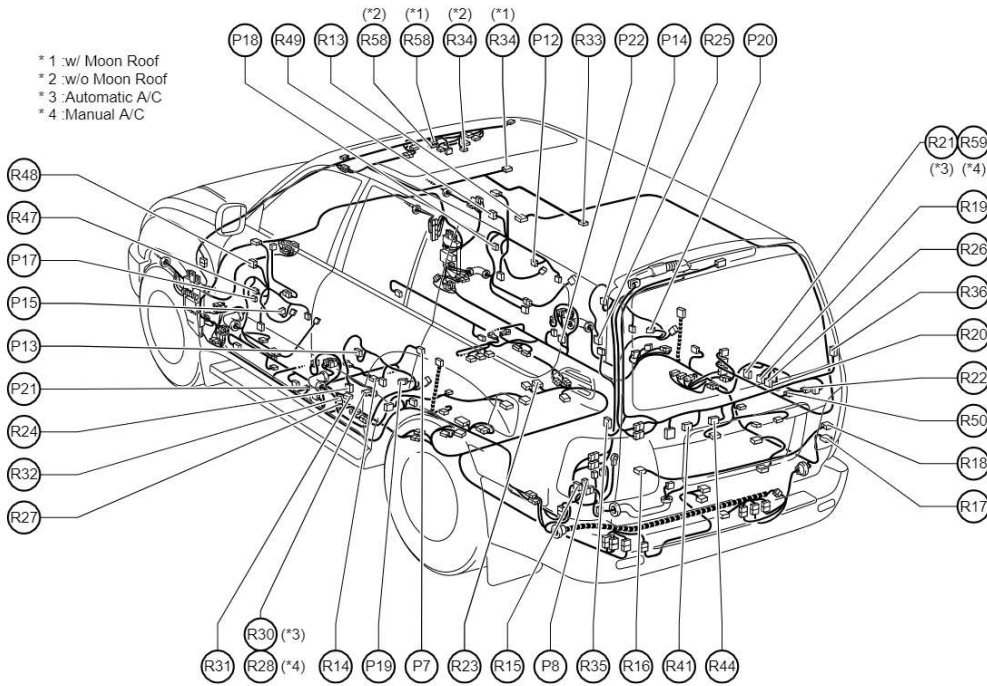


F 23 Front Door Speaker LH	L 2 License Plate Light LH
F 24 Front Door Speaker RH	L 3 License Plate Light RH
F 25 Front Interior Light	L 5 License Plate Light No.1
F 26 Front Personal Light	L 6 License Plate Light No.2
F 28 Fuel Pump	M 1 Moon Roof Control ECU
Fuel Sender	M 2 Moon Roof Control SW
F 30 Fuel Pump Select Relay	N 4 Navigation ECU
F 31 Fuel Solenoid Valve 1	N 5 Navigation ECU
F 32 Fuel Solenoid Valve 2	N 7 Navigation ECU
H 20 Height Control Sensor Rear	O 5 Overhead J/B
H 21 High Mounted Stop Light	O 6 Overhead J/B
I 30 Inner Mirror	
J 31 Junction Connector	
J 32 Junction Connector	

E ELECTRICAL WIRING ROUTING

Position of Parts in Body

[LHD : Liftgate Type]

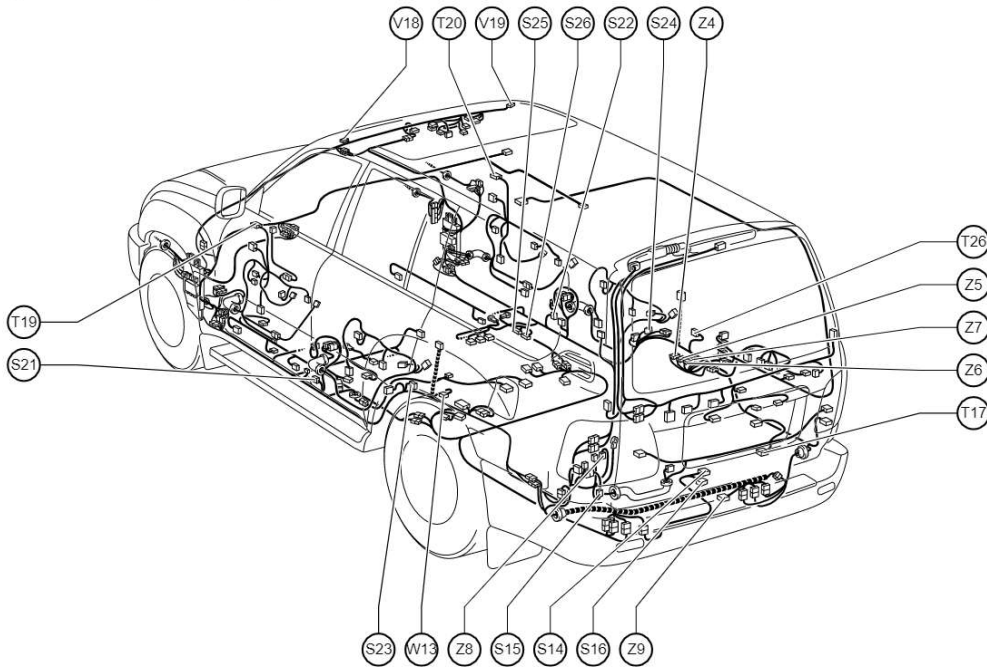


- * 1 :w/ Moon Roof
- * 2 :w/o Moon Roof
- * 3 :Automatic A/C
- * 4 :Manual A/C

- | | |
|--|----------------------------------|
| P 7 Parking Brake SW | R22 Rear Cooler Relay |
| P 8 Power Outlet (Luggage Compartment) | R23 Rear Diff. Lock Motor |
| P12 Power Window Control SW Front RH | R24 Rear Door Speaker LH |
| P13 Power Window Control SW Rear LH | R25 Rear Door Speaker RH |
| P14 Power Window Control SW Rear RH | R26 Rear Evaporator Temp. Sensor |
| P15 Power Window Master SW | R27 Rear Heater Blower Motor |
| P17 Power Window Motor Front LH | R28 Rear Heater Blower Resistor |
| P18 Power Window Motor Front RH | R30 Rear Heater Power Transistor |
| P19 Power Window Motor Rear LH | R31 Rear Heater Relay |
| P20 Power Window Motor Rear RH | R32 Rear Inlet Air Temp. Sensor |
| P21 Pretensioner LH | R33 Rear Interior Light |
| P22 Pretensioner RH | R34 Rear Personal Light |
| R13 Rear A/C Control SW | R35 Rear Window Defogger |
| R14 Rear Air Mix Control Servo Motor | R36 Rear Window Defogger |
| R15 Rear Combination Light LH | R41 Rear Wiper Motor |
| R16 Rear Combination Light LH | R44 Rear Wiper Relay |
| R17 Rear Combination Light RH | R47 Remote Control Mirror ECU |
| R18 Rear Combination Light RH | R48 Remote Control Mirror LH |
| R19 Rear Cooler Blower Motor | R49 Remote Control Mirror RH |
| R20 Rear Cooler Magnetic Valve | R50 Room Temp. Sensor (Rear) |
| R21 Rear Cooler Power Transistor | R58 Rain Sensor |
| | R59 Rear Cooler Blower Resistor |

Position of Parts in Body

[LHD : Liftgate Type]



S14 Sub Fuel Pump
 S15 Sub Fuel Pump Forcing Driving Relay
 S16 Sub Fuel Sender
 S21 Side Airbag Sensor Front LH
 S22 Side Airbag Sensor Front RH
 S23 Side Airbag Sensor Rear LH
 S24 Side Airbag Sensor Rear RH
 S25 Stereo Component Amplifier
 S26 Stereo Component Amplifier

T17 Tire Carrier Courtesy SW
 T19 Tweeter LH
 T20 Tweeter RH
 T26 Theft Deterrent Siren

V18 Vanity Light LH
 V19 Vanity Light RH

W13 Woofer (Speaker)

Z 4 Option Connector (Celular Mobile Telephone)
 Z 5 Option Connector (Celular Mobile Telephone)
 Z 6 Option Connector (Celular Mobile Telephone)
 Z 7 Option Connector (Celular Mobile Telephone)
 Z 8 Option Connector (Microphone)
 Z 9 Option Connector (Trailer Towing)

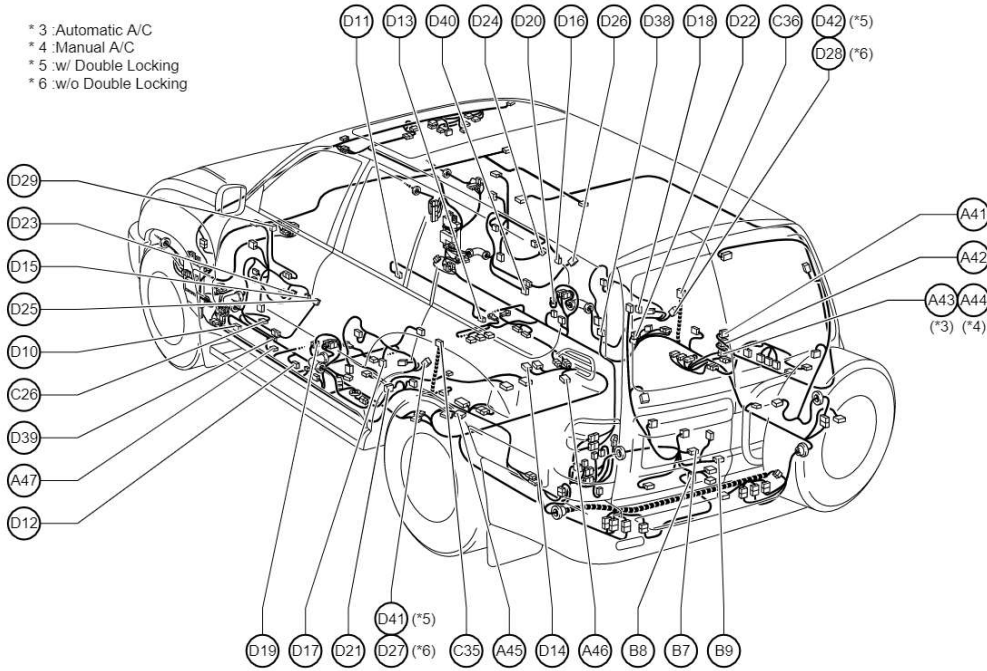
cardiagn.com

E ELECTRICAL WIRING ROUTING

Position of Parts in Body

[LHD : Swing Type]

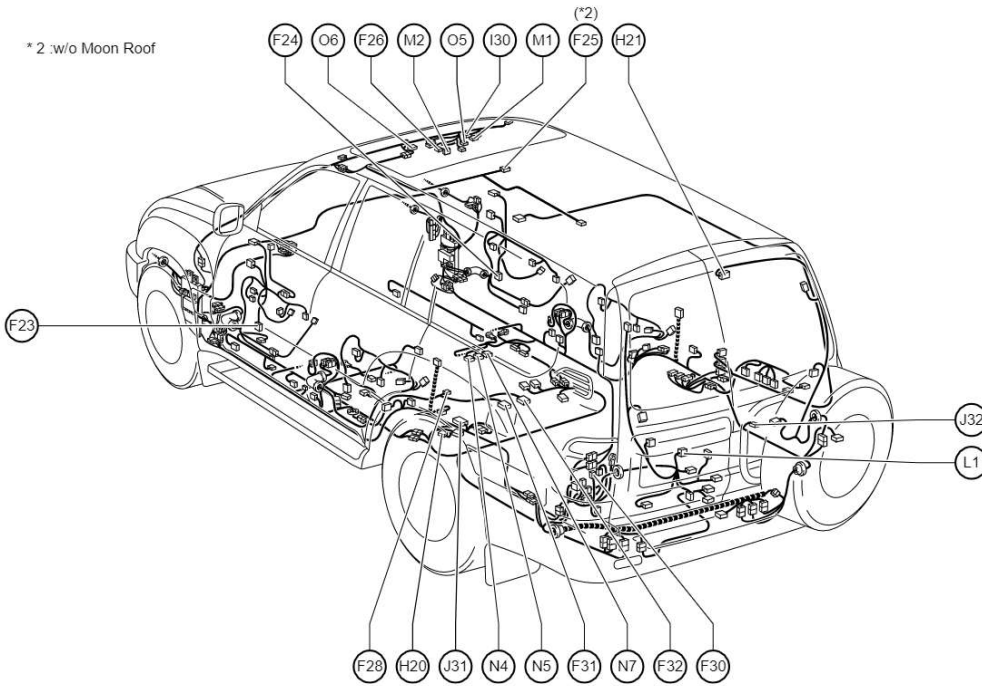
- * 3 :Automatic A/C
- * 4 :Manual A/C
- * 5 :w/ Double Locking
- * 6 :w/o Double Locking



- | | |
|---|------------------------------------|
| A41 A/C Amplifier | D22 Door Courtesy SW Rear RH |
| A42 A/C Amplifier | D23 Door Key Lock and Unlock SW LH |
| A43 A/C Amplifier | D24 Door Key Lock and Unlock SW RH |
| A44 A/C Amplifier | D25 Door Lock Motor Front LH |
| A45 ABS Speed Sensor Rear LH | Door Unlock Detection SW Front LH |
| A46 ABS Speed Sensor Rear RH | D26 Door Lock Motor Front RH |
| A47 Accumulator Solenoid | Door Unlock Detection SW Front RH |
| B 7 Back Door Courtesy SW | D27 Door Lock Motor Rear LH |
| B 8 Back Door Key Lock and Unlock SW | Door Unlock Detection SW Rear LH |
| B 9 Back Door Lock Motor and | D28 Door Lock Motor Rear RH |
| Back Door Unlock Detection SW | Door Unlock Detection SW Rear RH |
| C26 Control Valve Assembly | D29 Driving Position Memory SW |
| C35 Curtain Shield Airbag Squib LH | D38 Door Control Receiver |
| C36 Curtain Shield Airbag Squib RH | D39 Door Lock Motor Front LH |
| D10 Damping Force Control Actuator Front LH | Door Unlock Detection SW Front LH |
| D11 Damping Force Control Actuator Front RH | Double Lock Motor Front LH |
| D12 Damping Force Control Actuator Rear LH | Double Lock Position SW Front LH |
| D13 Damping Force Control Actuator Rear RH | D40 Door Lock Motor Front RH |
| D14 Detection SW (Rear Diff. Lock) | Door Unlock Detection SW Front RH |
| D15 Door Courtesy Light Front LH | Double Lock Motor Front RH |
| D16 Door Courtesy Light Front RH | Double Lock Position SW Front RH |
| D17 Door Courtesy Light Rear LH | D41 Door Lock Motor Rear LH |
| D18 Door Courtesy Light Rear RH | Door Unlock Detection SW Rear LH |
| D19 Door Courtesy SW Front LH | Double Lock Motor Rear LH |
| D20 Door Courtesy SW Front RH | Double Lock Position SW Rear LH |
| D21 Door Courtesy SW Rear LH | D42 Door Lock Motor Rear RH |
| | Door Unlock Detection SW Rear RH |
| | Double Lock Motor Rear RH |
| | Double Lock Position SW Rear RH |

Position of Parts in Body

[LHD : Swing Type]



F 23 Front Door Speaker LH
 F 24 Front Door Speaker RH
 F 25 Front Interior Light
 F 26 Front Personal Light
 F 28 Fuel Pump
 Fuel Sender
 F 30 Fuel Pump Select Relay
 F 31 Fuel Solenoid Valve 1
 F 32 Fuel Solenoid Valve 2

H20 Height Control Sensor Rear
 H21 High Mounted Stop Light

I 30 Inner Mirror

J 31 Junction Connector
 J 32 Junction Connector

L 1 License Plate Light

M 1 Moon Roof Control ECU
 M 2 Moon Roof Control SW

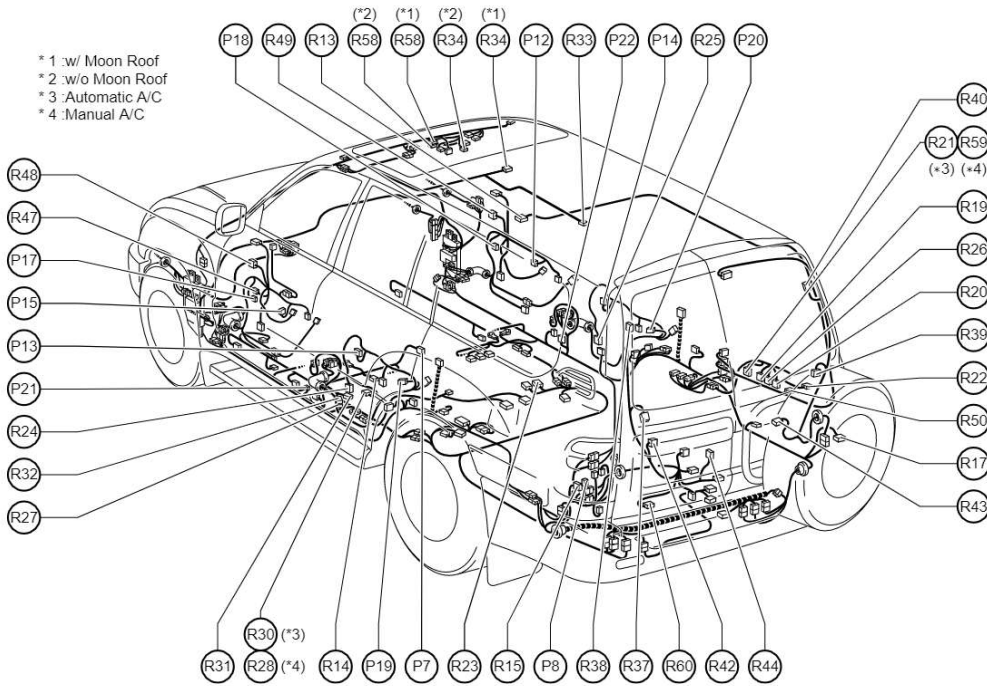
N 4 Navigation ECU
 N 5 Navigation ECU
 N 7 Navigation ECU

O 5 Overhead J/B
 O 6 Overhead J/B

E ELECTRICAL WIRING ROUTING

Position of Parts in Body

[LHD : Swing Type]

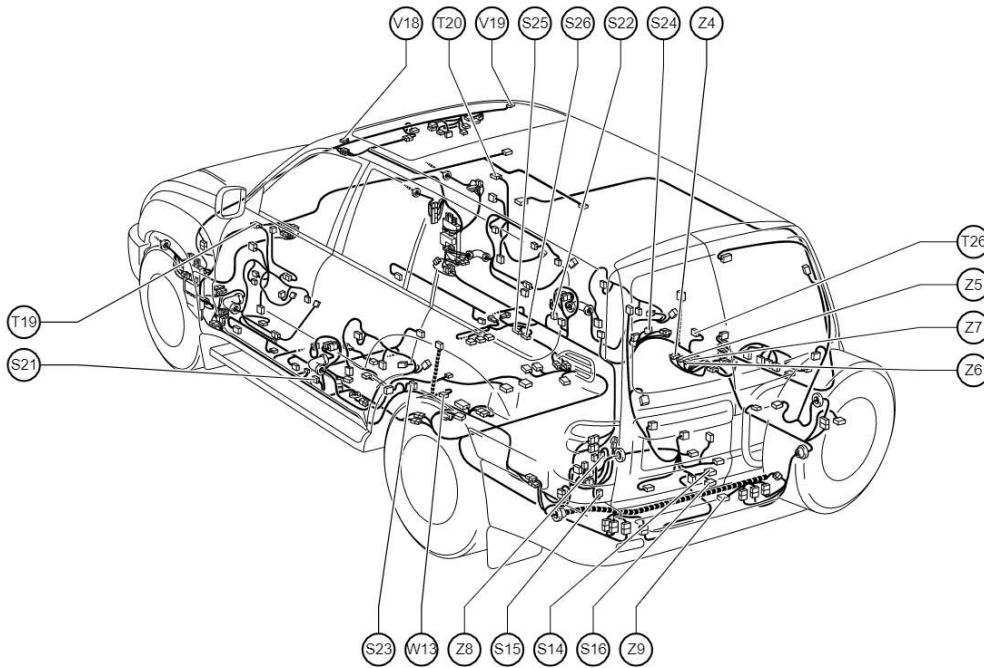


- * 1 :w/ Moon Roof
- * 2 :w/o Moon Roof
- * 3 :Automatic A/C
- * 4 :Manual A/C

- | | |
|--|----------------------------------|
| P 7 Parking Brake SW | R25 Rear Door Speaker RH |
| P 8 Power Outlet (Luggage Compartment) | R26 Rear Evaporator Temp. Sensor |
| P12 Power Window Control SW Front RH | R27 Rear Heater Blower Motor |
| P13 Power Window Control SW Rear LH | R28 Rear Heater Blower Resistor |
| P14 Power Window Control SW Rear RH | R30 Rear Heater Power Transistor |
| P15 Power Window Master SW | R31 Rear Heater Relay |
| P17 Power Window Motor Front LH | R32 Rear Inlet Air Temp. Sensor |
| P18 Power Window Motor Front RH | R33 Rear Interior Light |
| P19 Power Window Motor Rear LH | R34 Rear Personal Light |
| P20 Power Window Motor Rear RH | R37 Rear Window Defogger LH |
| P21 Pretensioner LH | R38 Rear Window Defogger LH |
| P22 Pretensioner RH | R39 Rear Window Defogger RH |
| R13 Rear A/C Control SW | R40 Rear Window Defogger RH |
| R14 Rear Air Mix Control Servo Motor | R42 Rear Wiper Motor LH |
| R15 Rear Combination Light LH | R43 Rear Wiper Motor RH |
| R17 Rear Combination Light RH | R44 Rear Wiper Relay |
| R19 Rear Cooler Blower Motor | R47 Remote Control Mirror ECU |
| R20 Rear Cooler Magnetic Valve | R48 Remote Control Mirror LH |
| R21 Rear Cooler Power Transistor | R49 Remote Control Mirror RH |
| R22 Rear Cooler Relay | R50 Room Temp. Sensor (Rear) |
| R23 Rear Diff. Lock Motor | R58 Rain Sensor |
| R24 Rear Door Speaker LH | R59 Rear Cooler Blower Resistor |
| | R60 Rear Fog Light |

Position of Parts in Body

[LHD : Swing Type]



S14 Sub Fuel Pump
 S15 Sub Fuel Pump Forcing Driving Relay
 S16 Sub Fuel Sender
 S21 Side Airbag Sensor Front LH
 S22 Side Airbag Sensor Front RH
 S23 Side Airbag Sensor Rear LH
 S24 Side Airbag Sensor Rear RH
 S25 Stereo Component Amplifier
 S26 Stereo Component Amplifier

T19 Tweeter LH
 T20 Tweeter RH
 T26 Theft Deterrent Siren

V18 Vanity Light LH
 V19 Vanity Light RH

W13 Woofer (Speaker)

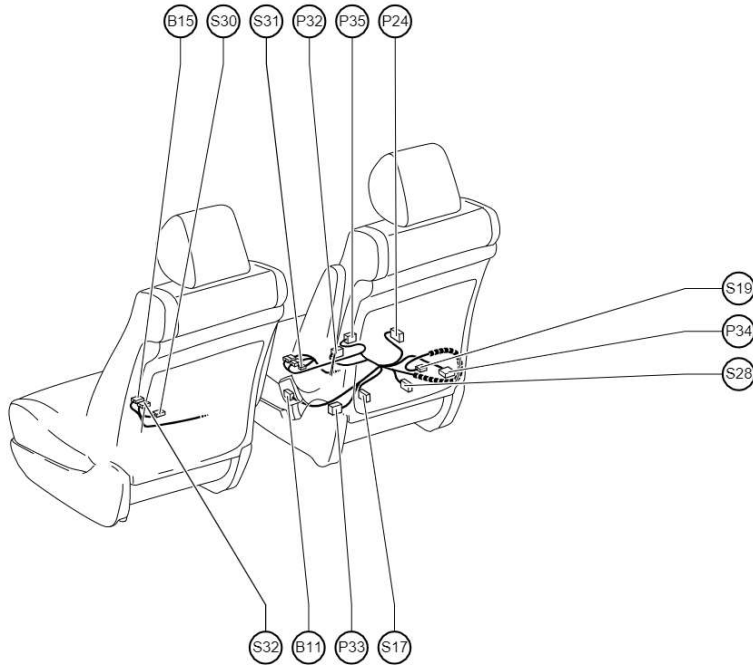
Z 4 Option Connector (Celular Mobile Telephone)
 Z 5 Option Connector (Celular Mobile Telephone)
 Z 6 Option Connector (Celular Mobile Telephone)
 Z 7 Option Connector (Celular Mobile Telephone)
 Z 8 Option Connector (Microphone)
 Z 9 Option Connector (Trailer Towing)

cardiagn.com

E ELECTRICAL WIRING ROUTING

Position of Parts in Seat

[LHD : w/ Seat ECU]



B 11 Buckle SW RH
B 15 Buckle SW LH
Seat Position Sensor

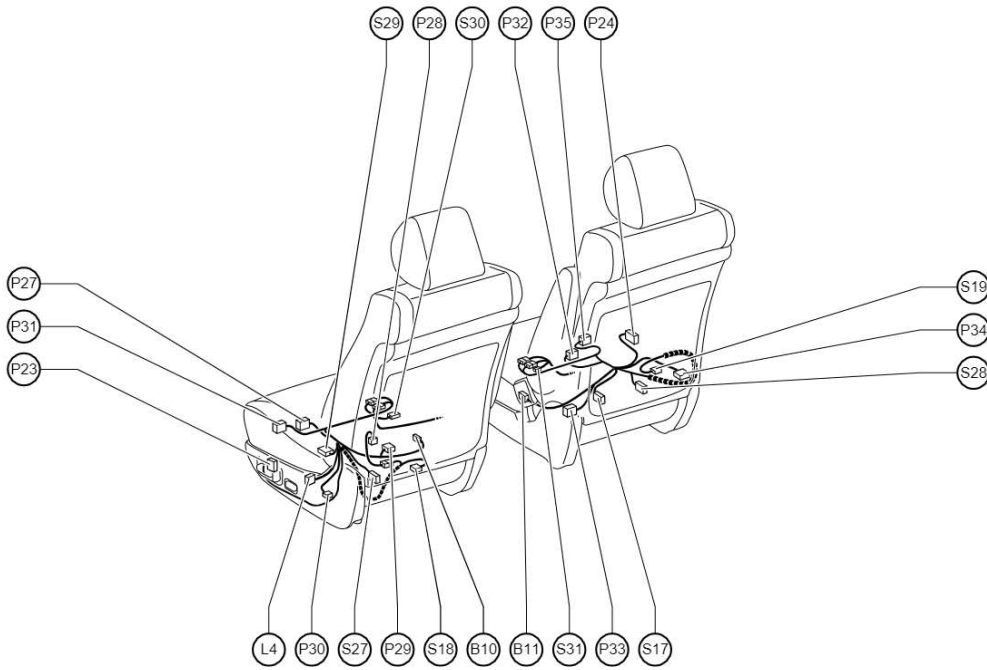
P 24 Power Seat Control SW (Front Passenger's Seat)
P 32 Power Seat Motor
(Front Passenger's Seat Front Vertical Control)
P 33 Power Seat Motor
(Front Passenger's Seat Rear Vertical Control)
P 34 Power Seat Motor
(Front Passenger's Seat Reclining Control)
P 35 Power Seat Motor
(Front Passenger's Seat Slide Control)

S 17 Seat Belt Warning Occupant Detection Sensor
S 19 Seat Heater (Front Passenger's Seat)
S 28 Seat Heater (Front Passenger's Seat Cushion)
S 30 Side Airbag Squib LH
S 31 Side Airbag Squib RH
S 32 Seat ECU

cardiagn.com

Position of Parts in Seat

[LHD : w/o Seat ECU]



B10 Buckle SW LH
B11 Buckle SW RH

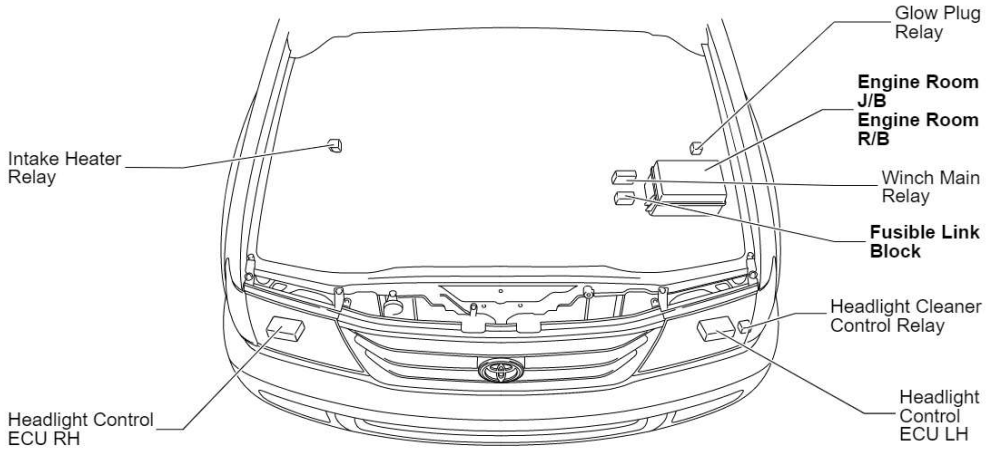
L 4 Lumbar Support Control SW (Driver's Seat)

P23 Power Seat Control SW (Driver's Seat)
P24 Power Seat Control SW (Front Passenger's Seat)
P27 Power Seat Motor (Driver's Seat Front Vertical Control)
P28 Power Seat Motor
(Driver's Seat Lumbar Support Control)
P29 Power Seat Motor (Driver's Seat Rear Vertical Control)
P30 Power Seat Motor (Driver's Seat Reclining Control)
P31 Power Seat Motor (Driver's Seat Slide Control)
P32 Power Seat Motor
(Front Passenger's Seat Front Vertical Control)
P33 Power Seat Motor
(Front Passenger's Seat Rear Vertical Control)
P34 Power Seat Motor
(Front Passenger's Seat Reclining Control)
P35 Power Seat Motor
(Front Passenger's Seat Slide Control)

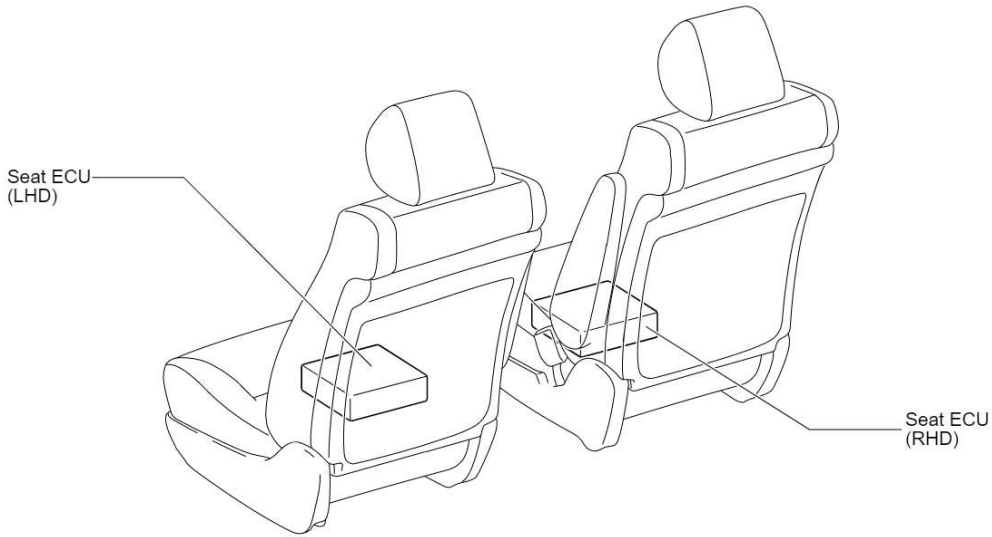
S17 Seat Belt Warning Occupant Detection Sensor
S18 Seat Heater (Driver's Seat)
S19 Seat Heater (Front Passenger's Seat)
S27 Seat Heater (Driver's Seat Cushion)
S28 Seat Heater (Front Passenger's Seat Cushion)
S29 Seat Position Sensor
S30 Side Airbag Squib LH
S31 Side Airbag Squib RH

D RELAY LOCATIONS

[Engine Compartment]



[Seat]

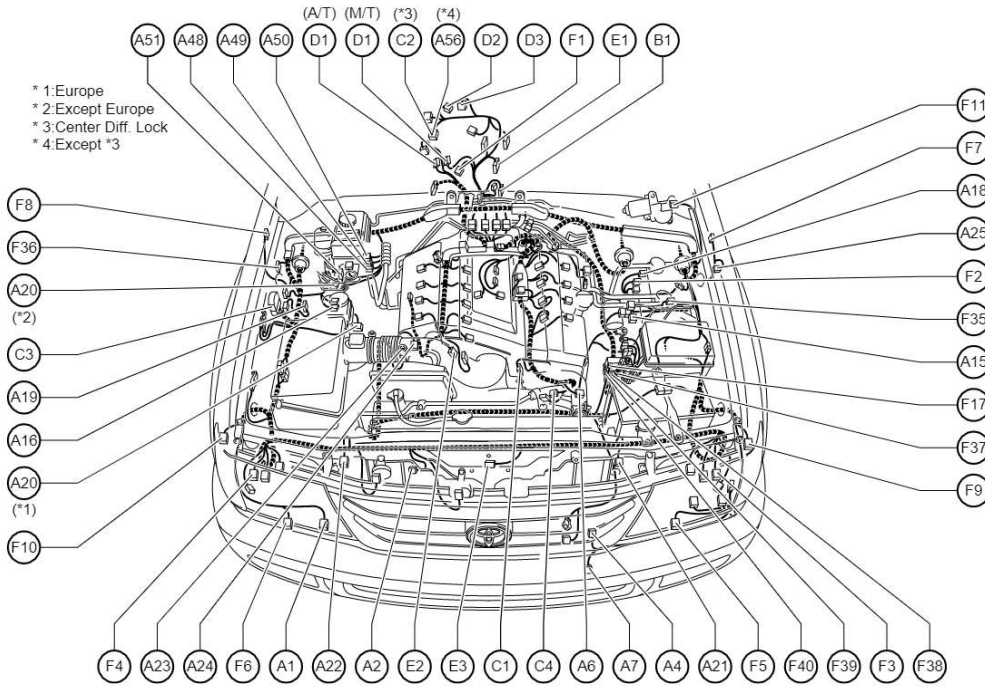


cardiagn.com

E ELECTRICAL WIRING ROUTING

Position of Parts in Engine Compartment

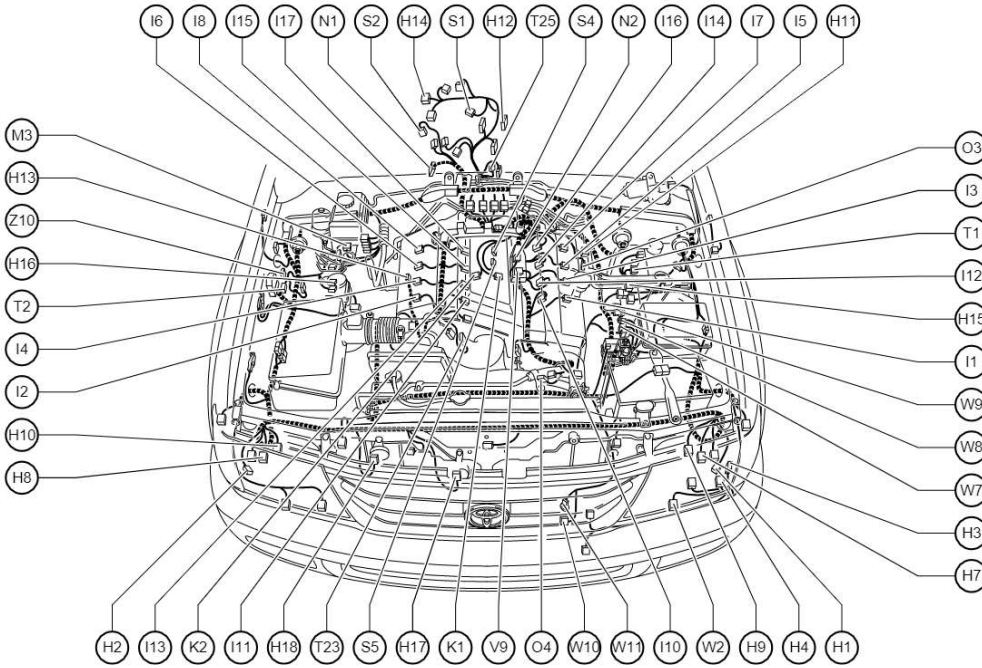
[RHD : 2UZ-FE]



- | | |
|---|--|
| A 1 A/C Ambient Temp. Sensor | D 1 Detection SW (Center Diff. Lock) |
| A 2 A/C Condenser Fan Motor | D 2 Detection SW (Transfer L Position) |
| A 4 Pressure SW | D 3 Detection SW (Transfer Neutral Position) |
| A 6 A/C Magnetic Clutch and Lock Sensor | E 1 ECT Solenoid |
| A 7 A/C Magnetic Valve | E 2 EFI Water Temp. Sensor |
| A 15 ABS Speed Sensor Front LH | E 3 Engine Hood Courtesy SW |
| A 16 ABS Speed Sensor Front RH | F 1 First Position SW |
| A 18 AHC Pump Motor | F 2 Fluid Pressure Sensor |
| A 19 Air Cleaner Warning Sensor | F 3 Front Clearance Light LH |
| A 20 Air Flow Meter | F 4 Front Clearance Light RH |
| A 21 Airbag Sensor Front LH | F 5 Front Fog Light LH |
| A 22 Airbag Sensor Front RH | F 6 Front Fog Light RH |
| A 23 Alternator | F 7 Front Side Turn Signal Light LH |
| A 24 Alternator | F 8 Front Side Turn Signal Light RH |
| A 25 Auto Antenna Motor | F 9 Front Turn Signal Light LH |
| A 48 ABS & BA & TRC & VSC Actuator | F 10 Front Turn Signal Light RH |
| A 49 ABS & BA & TRC & VSC Actuator | F 11 Front Wiper Motor |
| A 50 ABS & BA & TRC & VSC Actuator | F 17 Fusible Link Block |
| A 51 ABS & BA & TRC & VSC Actuator | F 35 Fuel Pump Resistor LH |
| A 56 ADD Control Motor | F 36 Fuel Pump Resistor RH |
| B 1 Back-Up Light SW | F 37 Fusible Link Block |
| C 1 Camshaft Position Sensor | F 38 Fusible Link Block |
| C 2 Center Diff. Lock Control Motor | F 39 Fusible Link Block |
| C 3 Check Connector | F 40 Fusible Link Block |
| C 4 Crankshaft Position Sensor | |

Position of Parts in Engine Compartment

[RHD : 2UZ-FE]



H 1 Headlight Beam Level Control Actuator LH
 H 2 Headlight Beam Level Control Actuator RH
 H 3 Headlight Cleaner Control Relay
 H 4 Headlight Cleaner Motor
 H 7 Headlight LH (High)
 H 8 Headlight RH (High)
 H 9 Headlight LH (Low)
 H 10 Headlight RH (Low)
 H 11 Heated Oxygen Sensor (Bank 1 Sensor 1)
 H 12 Heated Oxygen Sensor (Bank 1 Sensor 2)
 H 13 Heated Oxygen Sensor (Bank 2 Sensor 1)
 H 14 Heated Oxygen Sensor (Bank 2 Sensor 2)
 H 15 Height Control Sensor Front LH
 H 16 Height Control Sensor Front RH
 H 17 Horn LH
 H 18 Horn RH

I 1 Ignition Coil and Igniter No.1
 I 2 Ignition Coil and Igniter No.2
 I 3 Ignition Coil and Igniter No.3
 I 4 Ignition Coil and Igniter No.4
 I 5 Ignition Coil and Igniter No.5
 I 6 Ignition Coil and Igniter No.6
 I 7 Ignition Coil and Igniter No.7
 I 8 Ignition Coil and Igniter No.8
 I 9 Injection Pump
 I 10 Injector No.1
 I 11 Injector No.2
 I 12 Injector No.3
 I 13 Injector No.4
 I 14 Injector No.5
 I 15 Injector No.6
 I 16 Injector No.7
 I 17 Injector No.8

K 1 Knock Sensor 1
 K 2 Knock Sensor 2
 M 3 Master Cylinder Pressure Sensor
 N 1 A/T Indicator Light SW
 Neutral Start SW
 N 2 Noise Filter (Ignition)
 O 3 Oil Level Sensor
 O 4 Oil Pressure Sender
 S 1 Speed Sensor (Combination Meter)
 S 2 Speed Sensor (ECT)
 S 4 Starter
 S 5 Starter

T 1 Temp. Sensor (AHC)
 T 2 Theft Deterrent Horn
 T 23 Throttle Control Motor and Sensor
 T 25 Turbine Speed Sensor

V 9 VSV (EVAP)

W 2 Washer Motor
 W 7 Winch Main Relay
 W 8 Winch Main Relay
 W 9 Winch Main Relay
 W 10 Winch Motor and Magnetic SW
 W 11 Winch Motor and Magnetic SW

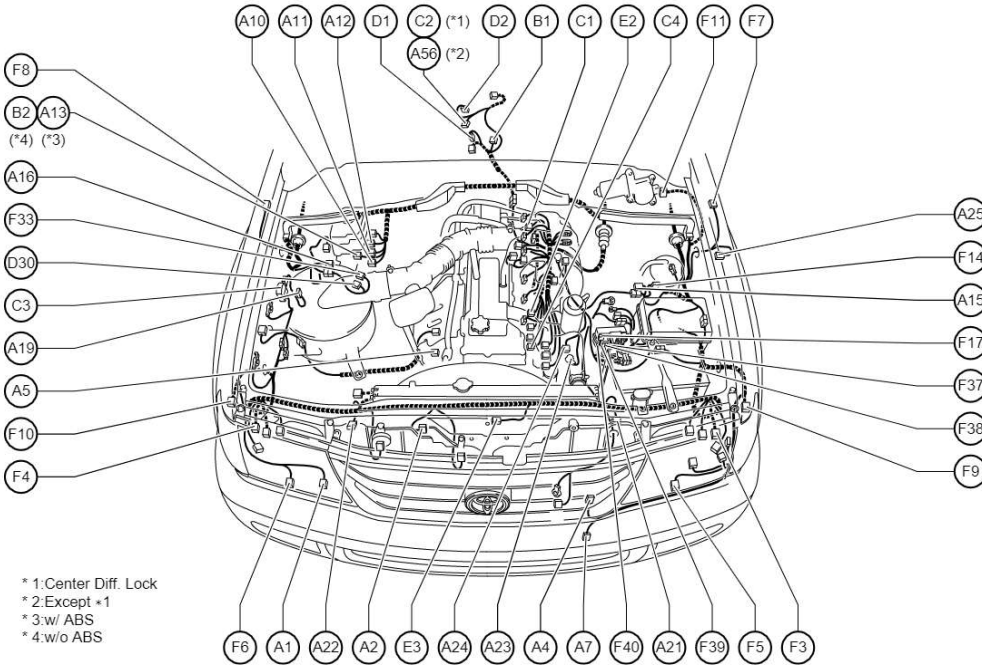
Z 10 Option Connector (Wireless Door Lock Buzzer)

cardiagn.com

E ELECTRICAL WIRING ROUTING

Position of Parts in Engine Compartment

[RHD : 1FZ-FE]

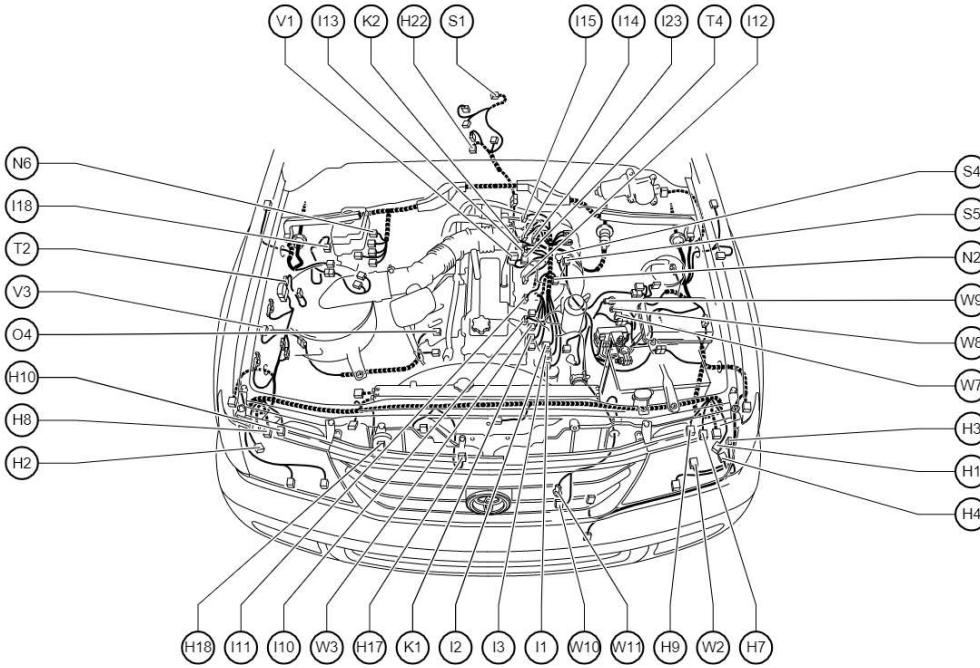


* 1: Center Diff. Lock
 * 2: Except *1
 * 3: w/ ABS
 * 4: w/o ABS

- | | |
|-------------------------------------|--|
| A 1 A/C Ambient Temp. Sensor | D 1 Detection SW (Center Diff. Lock) |
| A 2 A/C Condenser Fan Motor | D 2 Detection SW (Transfer L Position) |
| A 4 Pressure SW | D30 Detection SW (Front Diff. Lock) |
| A 5 A/C Magnetic Clutch | E 2 EFI Water Temp. Sensor |
| A 7 A/C Magnetic Valve | E 3 Engine Hood Courtesy SW |
| A10 ABS Actuator | F 3 Front Clearance Light LH |
| A11 ABS Actuator | F 4 Front Clearance Light RH |
| A12 ABS Actuator | F 5 Front Fog Light LH |
| A13 ABS Actuator | F 6 Front Fog Light RH |
| A15 ABS Speed Sensor Front LH | F 7 Front Side Turn Signal Light LH |
| A16 ABS Speed Sensor Front RH | F 8 Front Side Turn Signal Light RH |
| A19 Air Cleaner Warning Sensor | F 9 Front Turn Signal Light LH |
| A21 Airbag Sensor Front LH | F10 Front Turn Signal Light RH |
| A22 Airbag Sensor Front RH | F11 Front Wiper Motor |
| A23 Alternator | F14 Fuel Pump Resistor |
| A24 Alternator | F17 Fusible Link Block |
| A25 Auto Antenna Motor | F33 Front Diff. Lock Motor |
| A56 ADD Control Motor | F37 Fusible Link Block |
| B 1 Back-Up Light SW | F38 Fusible Link Block |
| B 2 Brake Fluid Level Warning SW | F39 Fusible Link Block |
| C 1 Camshaft Position Sensor | F40 Fusible Link Block |
| C 2 Center Diff. Lock Control Motor | |
| C 3 Check Connector | |
| C 4 Crankshaft Position Sensor | |

Position of Parts in Engine Compartment

[RHD : 1FZ-FE]



H 1 Headlight Beam Level Control Actuator LH
 H 2 Headlight Beam Level Control Actuator RH
 H 3 Headlight Cleaner Control Relay
 H 4 Headlight Cleaner Motor
 H 7 Headlight LH (High)
 H 8 Headlight RH (High)
 H 9 Headlight LH (Low)
 H10 Headlight RH (Low)
 H17 Horn LH
 H18 Horn RH
 H22 Heated Oxygen Sensor

K 1 Knock Sensor 1
 K 2 Knock Sensor 2
 N 2 Noise Filter (Ignition)
 N 6 Noise Filter (ABS)
 O 4 Oil Pressure Sender
 S 1 Speed Sensor (Combination Meter)
 S 4 Starter
 S 5 Starter

I 1 Ignition Coil and Igniter No.1
 I 2 Ignition Coil and Igniter No.2
 I 3 Ignition Coil and Igniter No.3
 I 10 Injector No.1
 I 11 Injector No.2
 I 12 Injector No.3
 I 13 Injector No.4
 I 14 Injector No.5
 I 15 Injector No.6
 I 18 Intake Air Temp. Sensor
 I 23 ISC Valve

T 2 Theft Deterrent Horn
 T 4 Throttle Position Sensor

V 1 Vacuum Sensor
 V 3 Variable Resistor

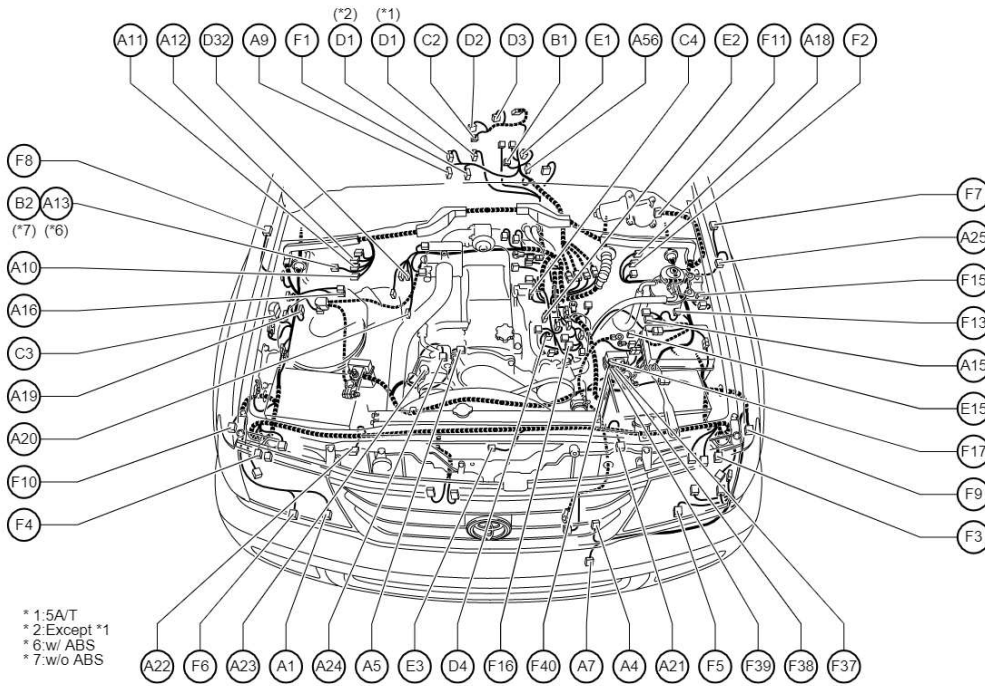
W 2 Washer Motor
 W 3 Water Temp. Sender
 W 7 Winch Main Relay
 W 8 Winch Main Relay
 W 9 Winch Main Relay
 W10 Winch Motor and Magnetic SW
 W11 Winch Motor and Magnetic SW

cardiagn.com

E ELECTRICAL WIRING ROUTING

Position of Parts in Engine Compartment

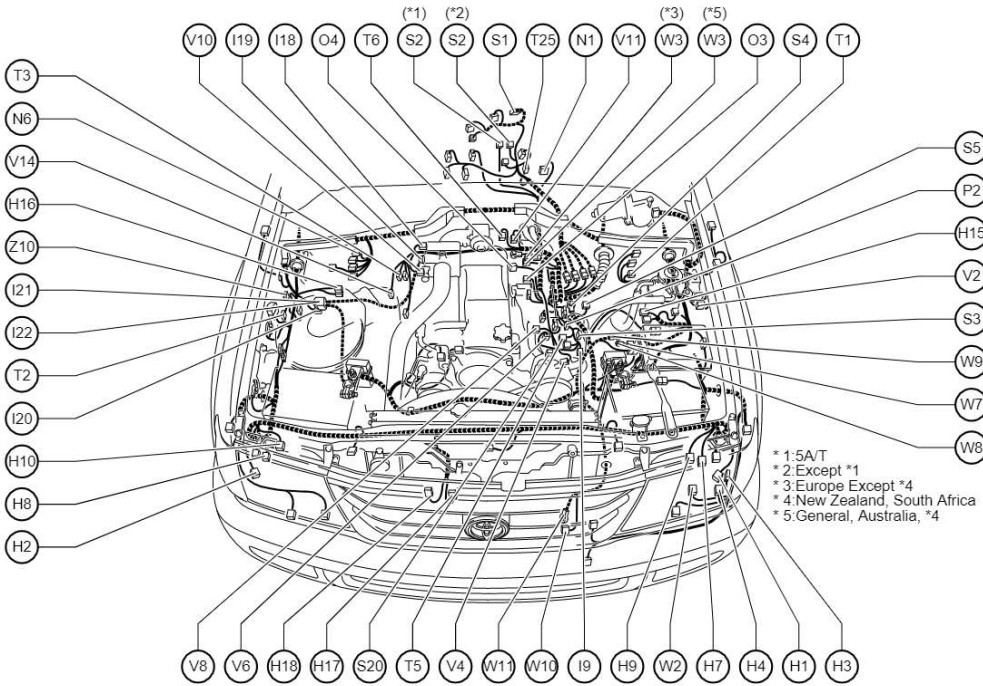
[RHD : 1HD-FTE]



- | | |
|-------------------------------------|--|
| A 1 A/C Ambient Temp. Sensor | D 1 Detection SW (Center Diff. Lock) |
| A 4 Pressure SW | D 2 Detection SW (Transfer L. Position) |
| A 5 A/C Magnetic Clutch | D 3 Detection SW (Transfer Neutral Position) |
| A 7 A/C Magnetic Valve | D 4 Diesel Engine Revolution Sensor |
| A 9 A/T Oil Temp. Sensor | D32 Diesel Throttle Position SW |
| A 10 ABS Actuator | E 1 ECT Solenoid |
| A 11 ABS Actuator | E 2 EFI Water Temp. Sensor |
| A 12 ABS Actuator | E 3 Engine Hood Courtesy SW |
| A 13 ABS Actuator | E 15 EDU |
| A 15 ABS Speed Sensor Front LH | F 1 First Position SW |
| A 16 ABS Speed Sensor Front RH | F 2 Fluid Pressure Sensor |
| A 18 AHC Pump Motor | F 3 Front Clearance Light LH |
| A 19 Air Cleaner Warning Sensor | F 4 Front Clearance Light RH |
| A 20 Air Flow Meter | F 5 Front Fog Light LH |
| A 21 Airbag Sensor Front LH | F 6 Front Fog Light RH |
| A 22 Airbag Sensor Front RH | F 7 Front Side Turn Signal Light LH |
| A 23 Alternator | F 8 Front Side Turn Signal Light RH |
| A 24 Alternator | F 9 Front Turn Signal Light LH |
| A 25 Auto Antenna Motor | F 10 Front Turn Signal Light RH |
| A 56 ADD Control Motor | F 11 Front Wiper Motor |
| B 1 Back-Up Light SW | F 13 Fuel Heater SW |
| B 2 Brake Fluid Level Warning SW | F 15 Fuel Sediment SW |
| C 2 Center Diff. Lock Control Motor | F 16 Fuel Temp. Sensor |
| C 3 Check Connector | F 17 Fusible Link Block |
| C 4 Crankshaft Position Sensor | F 37 Fusible Link Block |
| | F 38 Fusible Link Block |
| | F 39 Fusible Link Block |
| | F 40 Fusible Link Block |

Position of Parts in Engine Compartment

[RHD : 1HD-FTE]

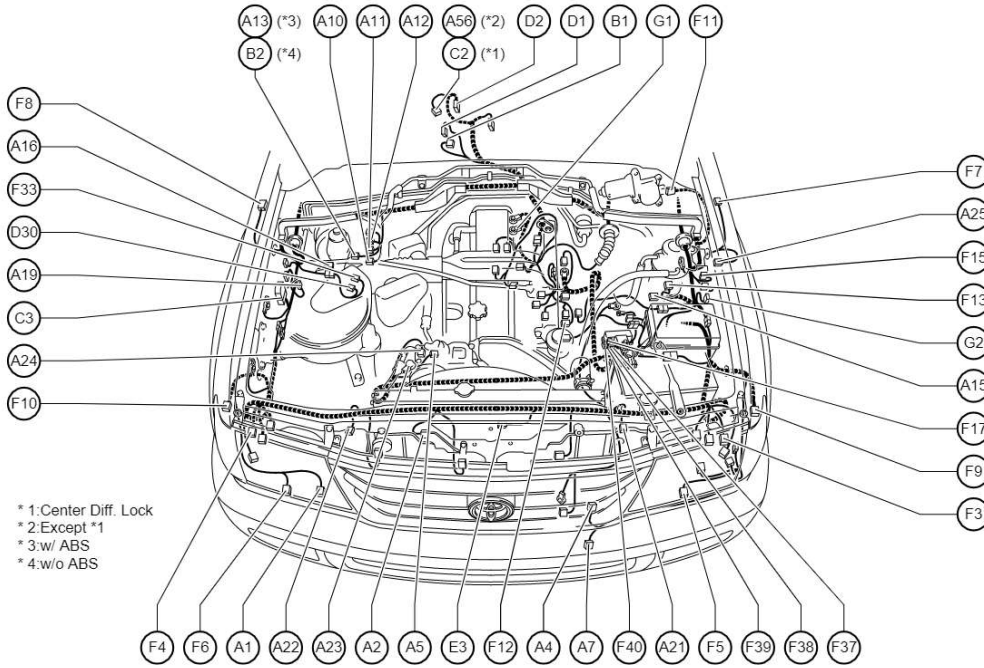


- | | |
|--|--|
| H 1 Headlight Beam Level Control Actuator LH | S 1 Speed Sensor (Combination Meter) |
| H 2 Headlight Beam Level Control Actuator RH | S 2 Speed Sensor (ECT) |
| H 3 Headlight Cleaner Control Relay | S 3 Spill Valve |
| H 4 Headlight Cleaner Motor | S 4 Starter |
| H 7 Headlight LH (High) | S 5 Starter |
| H 8 Headlight RH (High) | S20 Swirl Control Valve |
| H 9 Headlight LH (Low) | T 1 Temp. Sensor (AHC) |
| H10 Headlight RH (Low) | T 2 Theft Deterrent Horn |
| H15 Height Control Sensor Front LH | T 3 Throttle Control Motor |
| H16 Height Control Sensor Front RH | T 5 Timing Control Valve |
| H17 Horn LH | T 6 Turbo Pressure Sensor |
| H18 Horn RH | T25 Turbine Speed Sensor |
| I 9 Injection Pump | V 2 Vacuum SW |
| I 18 Intake Air Temp. Sensor | V 4 Viscous Heater Magnetic Clutch |
| I 19 Intake Heater | V 6 VRV (EGR) |
| I 20 Intake Heater Relay | V 8 VSV (EGR Cut) |
| I 21 Intake Heater Relay | V10 VSV (Fully Closed) |
| I 22 Intake Heater Relay | V11 VSV (Turbo Pressure Sensor) |
| N 1 A/T Indicator Light SW | V14 VRV (EGR No.2) |
| Neutral Start SW | W 2 Washer Motor |
| N 6 Noise Filter (ABS) | W 3 Water Temp. Sender |
| O 3 Oil Level Sensor | W 7 Winch Main Relay |
| O 4 Oil Pressure Sender | W 8 Winch Main Relay |
| P 2 Power Steering Oil Pressure SW | W 9 Winch Main Relay |
| | W10 Winch Motor and Magnetic SW |
| | W11 Winch Motor and Magnetic SW |
| | Z10 Option Connector (Wireless Door Lock Buzzer) |

E ELECTRICAL WIRING ROUTING

Position of Parts in Engine Compartment

[RHD : 1HZ]

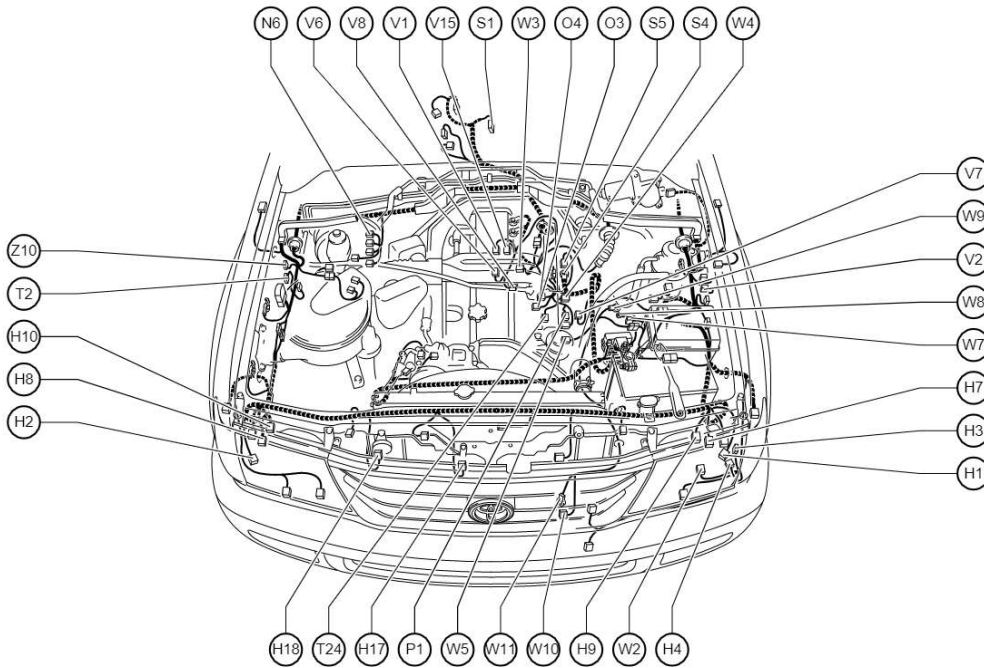


- * 1: Center Diff. Lock
- * 2: Except *1
- * 3: w/ ABS
- * 4: w/o ABS

- | | |
|-------------------------------------|---|
| A 1 A/C Ambient Temp. Sensor | D 1 Detection SW (Center Diff. Lock) |
| A 2 A/C Condenser Fan Motor | D 2 Detection SW (Transfer L. Position) |
| A 4 Pressure SW | D30 Detection SW (Front Diff. Lock) |
| A 5 A/C Magnetic Clutch | E 3 Engine Hood Courtesy SW |
| A 7 A/C Magnetic Valve | F 3 Front Clearance Light LH |
| A10 ABS Actuator | F 4 Front Clearance Light RH |
| A11 ABS Actuator | F 5 Front Fog Light LH |
| A12 ABS Actuator | F 6 Front Fog Light RH |
| A13 ABS Actuator | F 7 Front Side Turn Signal Light LH |
| A15 ABS Speed Sensor Front LH | F 8 Front Side Turn Signal Light RH |
| A16 ABS Speed Sensor Front RH | F 9 Front Turn Signal Light LH |
| A19 Air Cleaner Warning Sensor | F10 Front Turn Signal Light RH |
| A21 Airbag Sensor Front LH | F11 Front Wiper Motor |
| A22 Airbag Sensor Front RH | F12 Fuel Cut Valve Controller |
| A23 Alternator | F13 Fuel Heater SW |
| A24 Alternator | F15 Fuel Sediment SW |
| A25 Auto Antenna Motor | F17 Fusible Link Block |
| A56 ADD Control Motor | F33 Front Diff. Lock Motor |
| B 1 Back-Up Light SW | F37 Fusible Link Block |
| B 2 Brake Fluid Level Warning SW | F38 Fusible Link Block |
| C 2 Center Diff. Lock Control Motor | F39 Fusible Link Block |
| C 3 Check Connector | F40 Fusible Link Block |
| | G 1 Glow Plug |
| | G 2 Glow Plug Relay |

Position of Parts in Engine Compartment

[RHD : 1HZ]

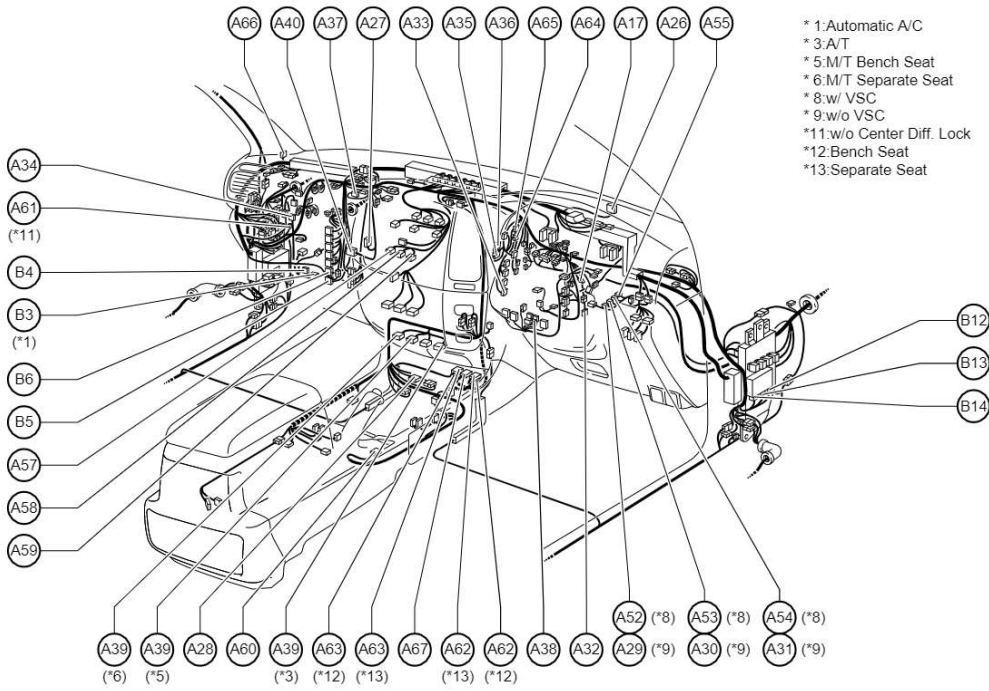


- | | |
|--|---|
| H 1 Headlight Beam Level Control Actuator LH | T 2 Theft Deterrent Horn |
| H 2 Headlight Beam Level Control Actuator RH | T24 Throttle Position Sensor and Timing Control Valve |
| H 3 Headlight Cleaner Control Relay | V 1 Vacuum Sensor |
| H 4 Headlight Cleaner Motor | V 2 Vacuum SW |
| H 7 Headlight LH (High) | V 6 VRV (EGR) |
| H 8 Headlight RH (High) | V 7 VSV (A/C Idle-UP) |
| H 9 Headlight LH (Low) | V 8 VSV (EGR Cut) |
| H10 Headlight RH (Low) | V15 VSV (BACS) |
| H17 Horn LH | W 2 Washer Motor |
| H18 Horn RH | W 3 Water Temp. Sender |
| N 6 Noise Filter (ABS) | W 4 Water Temp. Sensor (Glow Plug) |
| O 3 Oil Level Sensor | W 5 Water Temp. SW (A/C) |
| O 4 Oil Pressure Sender | W 7 Winch Main Relay |
| P 1 Pick-Up Sensor | W 8 Winch Main Relay |
| S 1 Speed Sensor (Combination Meter) | W 9 Winch Main Relay |
| S 4 Starter | W10 Winch Motor and Magnetic SW |
| S 5 Starter | W11 Winch Motor and Magnetic SW |
| | Z10 Option Connector (Wireless Door Lock Buzzer) |

E ELECTRICAL WIRING ROUTING

Position of Parts in Instrument Panel

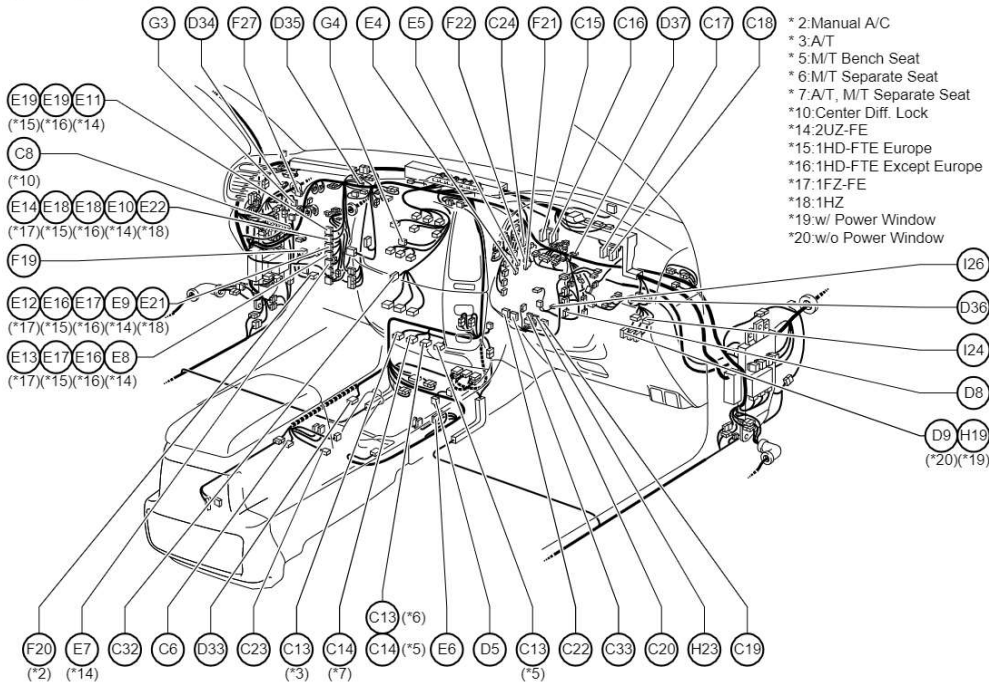
[RHD]



- | | |
|---|---|
| A 17 Accel Position Sensor | A 58 A/C Control Assembly |
| A 26 A/C Solar Sensor | A 59 A/C Control Assembly |
| A 27 A/C Thermistor | A 60 A/T Shift Lever Illumination
Shift Lock Control ECU |
| A 28 ABS Deceleration Sensor | A 61 ADD Control Relay |
| A 29 ABS ECU | A 62 Airbag Sensor Assembly |
| A 30 ABS ECU | A 63 Airbag Sensor Assembly |
| A 31 ABS ECU | A 64 Auto Wiper ECU
Short Connector |
| A 32 Accelerator Pedal SW | A 65 Auto Wiper ECU |
| A 33 AHC Main Relay | A 66 Automatic Light Control Sensor |
| A 34 Air Inlet Control Servo Motor | A 67 Airbag Sensor Assembly |
| A 35 Air Mix Control Servo Motor | |
| A 36 Air Vent Mode Control Servo Motor | B 3 Blower Motor Controller |
| A 37 Airbag Squib (Front Passenger Airbag Assembly) | B 4 Blower HI Relay |
| A 38 Airbag Squib (Steering Wheel Pad) | B 5 Blower LO Relay |
| A 39 Ashtray Illumination | B 6 Blower ME Relay |
| A 40 Auto Antenna Control Relay | B 12 Body ECU |
| A 52 ABS & BA & TRC & VSC ECU | B 13 Body ECU |
| A 53 ABS & BA & TRC & VSC ECU | B 14 Body ECU |
| A 54 ABS & BA & TRC & VSC ECU | |
| A 55 ABS & BA & TRC & VSC ECU | |
| A 57 A/C Control Assembly | |

Position of Parts in Instrument Panel

[RHD]

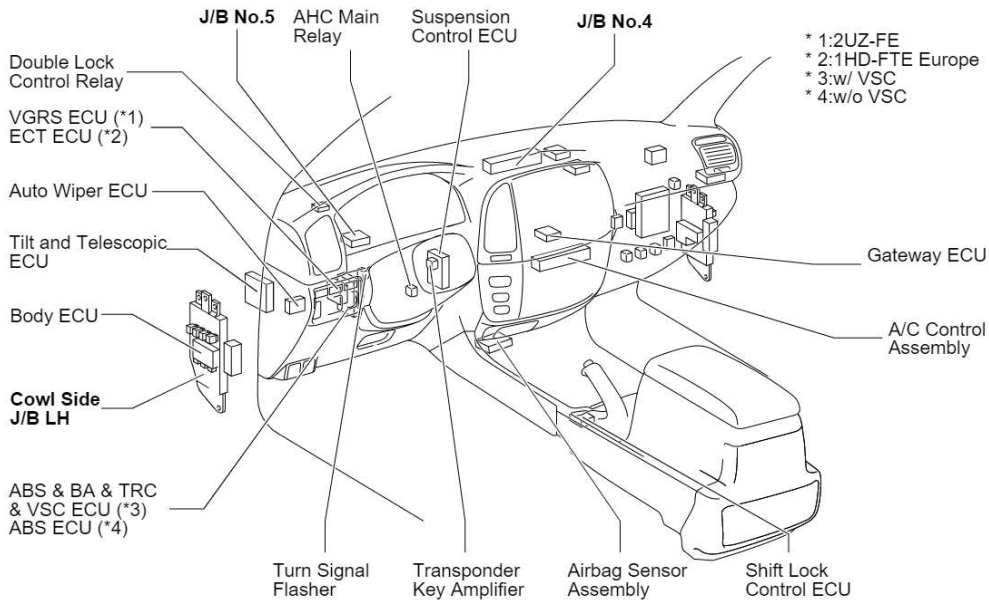


- * 2: Manual A/C
- * 3: A/T
- * 5: M/T Bench Seat
- * 6: M/T Separate Seat
- * 7: A/T, M/T Separate Seat
- * 10: Center Diff. Lock
- * 14: 2UZ-FE
- * 15: 1HD-FTE Europe
- * 16: 1HD-FTE Except Europe
- * 17: 1FZ-FE
- * 18: 1HZ
- * 19: w/ Power Window
- * 20: w/o Power Window

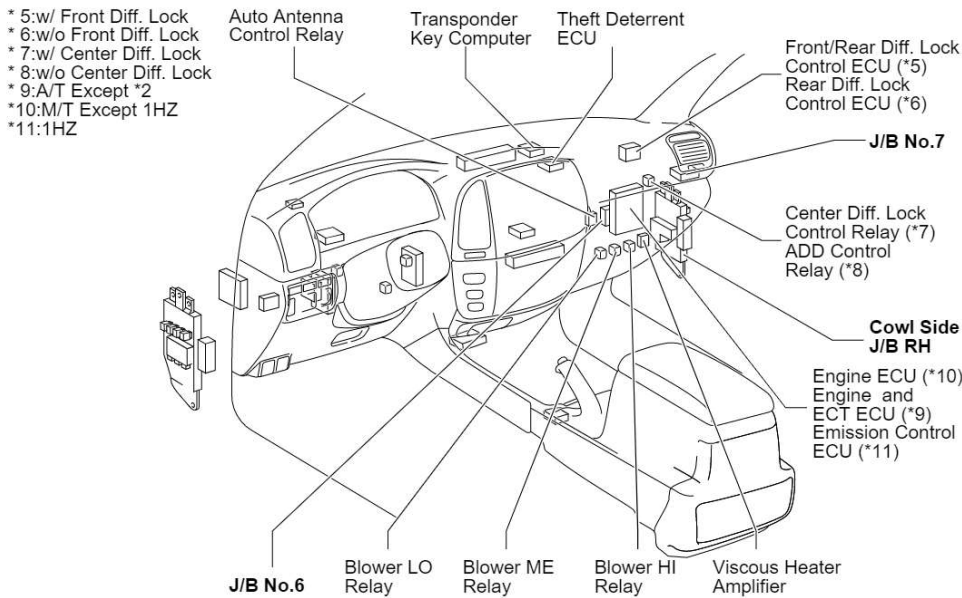
- C 6 CD Automatic Changer
- C 8 Center Diff. Lock Control Relay
- C 13 Cigarette Lighter
- C 14 Cigarette Lighter Illumination
- C 15 Combination Meter
- C 16 Combination Meter
- C 17 Combination Meter
- C 18 Combination Meter
- C 19 Combination SW
- C 20 Combination SW
- C 22 Combination SW
- C 23 Cooler Box
- C 24 Cruise Control Clutch SW
- C 32 Center Cluster Integration Panel
- C 33 Combination SW
- D 5 Damping Mode Select SW and Height Control SW
- D 8 DLC3
- D 9 Door Lock Control SW
- D 33 Deceleration Sensor
- D 34 Diode (Front Fog No.2)
- D 35 Diode (Viscous Heater1)
- D 36 Diode (Viscous Heater2)
- D 37 Double Lock Control Relay
- E 4 ECT ECU
- E 5 ECT ECU
- E 6 ECT Pattern Select SW
- E 7 Engine and ECT ECU
Engine ECU
- E 8 Engine and ECT ECU
Engine ECU
- E 9 Engine and ECT ECU
Engine ECU
- E 10 Engine and ECT ECU
Engine ECU

- E 11 Engine and ECT ECU
Engine ECU
- E 12 Engine and ECT ECU
Engine ECU
- E 13 Engine and ECT ECU
Engine ECU
- E 14 Engine and ECT ECU
Engine ECU
- E 16 Engine and ECT ECU
Engine ECU
- E 17 Engine and ECT ECU
Engine ECU
- E 18 Engine and ECT ECU
Engine ECU
- E 19 Engine and ECT ECU
Engine ECU
- E 21 Emission Control ECU
- E 22 Emission Control ECU
- F 19 Front Blower Motor
- F 20 Front Blower Resistor
- F 21 Front/Rear Diff. Lock Control SW
- F 22 Fuel Tank Changeover SW
- F 27 Front/Rear Diff. Lock Control ECU
- G 3 Glove Box Light
- G 4 Gateway ECU
- H 19 Headlight Beam Level Control SW
- H 23 Headlight Cleaner SW
- I 24 Idle-Up SW
- I 26 Ignition SW

**[Instrument Panel]
(LHD1)**



(LHD2)

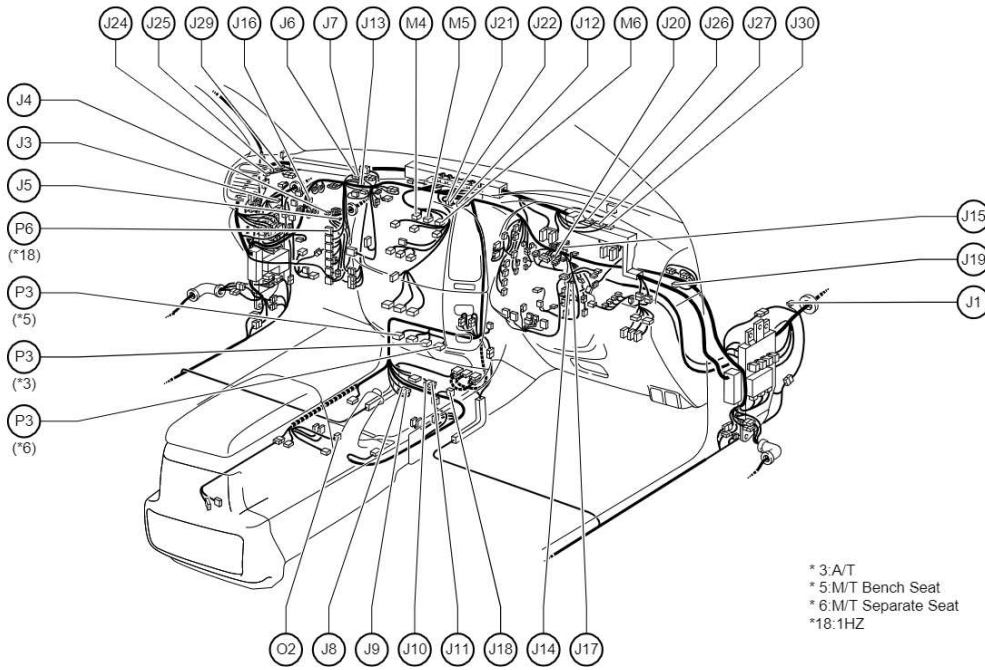


cardiagn.com

E ELECTRICAL WIRING ROUTING

Position of Parts in Instrument Panel

[RHD]



* 3:A/T
 * 5:M/T Bench Seat
 * 6:M/T Separate Seat
 *18:1HZ

- J 1 Junction Connector
- J 3 Junction Connector
- J 4 Junction Connector
- J 5 Junction Connector
- J 6 Junction Connector
- J 7 Junction Connector
- J 8 Junction Connector
- J 9 Junction Connector
- J 10 Junction Connector
- J 11 Junction Connector
- J 12 Junction Connector
- J 13 Junction Connector
- J 14 Junction Connector
- J 15 Junction Connector
- J 16 Junction Connector
- J 17 Junction Connector
- J 18 Junction Connector
- J 19 Junction Connector

- J 20 Junction Connector
- J 21 Junction Connector
- J 22 Junction Connector
- J 24 Junction Connector
- J 25 Junction Connector
- J 26 Junction Connector
- J 27 Junction Connector
- J 29 Junction Connector
- J 30 Junction Connector

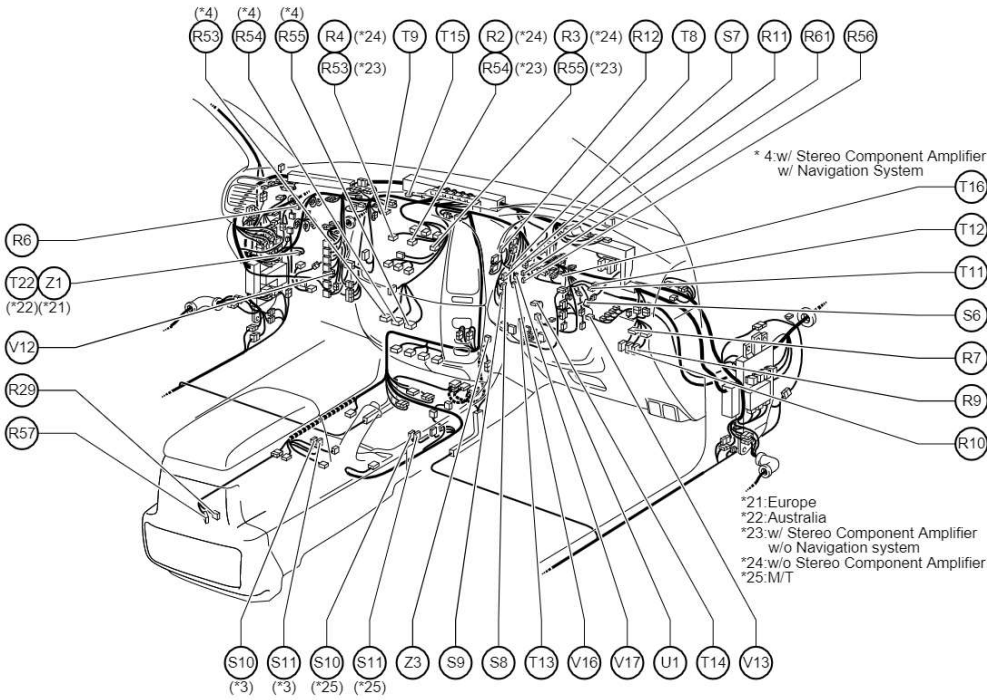
- M 4 Multi-Display
- M 5 Multi-Display
- M 6 Multi-Display

- O 2 O/D Main SW

- P 3 Power Outlet (Front)
- P 6 Pre-Heating Timer

Position of Parts in Instrument Panel

[RHD]



- R 2 Radio and Player
- R 3 Radio and Player
- R 4 Radio and Player
- R 6 Rear Diff. Lock Control ECU
- R 7 Rear Fog Light SW
- R 9 Remote Control Mirror SW
- R10 Remote Control Mirror SW
- R11 Rheostat
- R12 Room Temp. Sensor (Front)
- R29 Rear Heater Control SW
- R53 Radio and Player
- R54 Radio and Player
- R55 Radio and Player
- R56 Rear Diff. Lock Control SW
- R57 Rear Seat Audio Controller
- R61 Roll Sensing of Curtain Shield Airbags Cutoff SW
- S 6 Stop Light SW
- S 7 Suspension Control ECU
- S 8 Suspension Control ECU
- S 9 Suspension Control ECU
- S10 Seat Heater SW (Driver's Seat)
- S11 Seat Heater SW (Front Passenger's Seat)

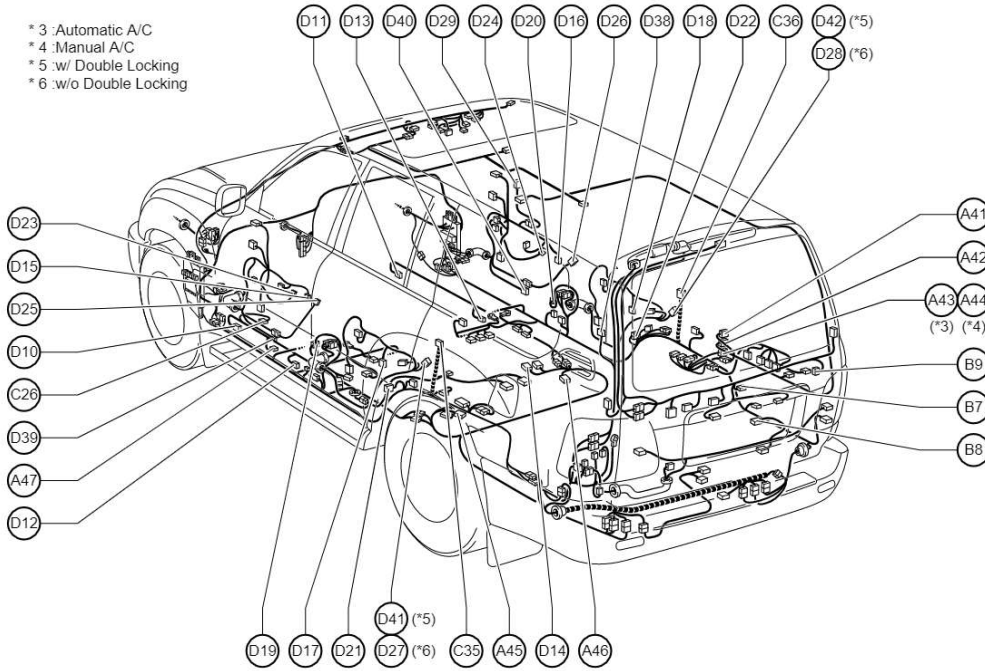
- T 8 Telescopic Motor
- T 9 Theft Deterrent ECU
- T 11 Tilt and Telescopic ECU
- T 12 Tilt and Telescopic ECU
- T 13 Tilt Motor
- T 14 Ignition Key Cylinder Light Transponder Key Amplifier
- T 15 Transponder Key Computer
- T 16 Turn Signal Flasher
- T22 TVSS ECU
- U 1 Unlock Warning SW
- V 12 Viscous Heater Amplifier
- V 13 VSC Warning Buzzer
- V 16 VGRS ECU
- V 17 VGRS ECU
- Z 1 Option Connector (Glass Breakage Sensor)
- Z 3 Option Connector (Radar Sensor)

E ELECTRICAL WIRING ROUTING

Position of Parts in Body

[RHD : Liftgate Type]

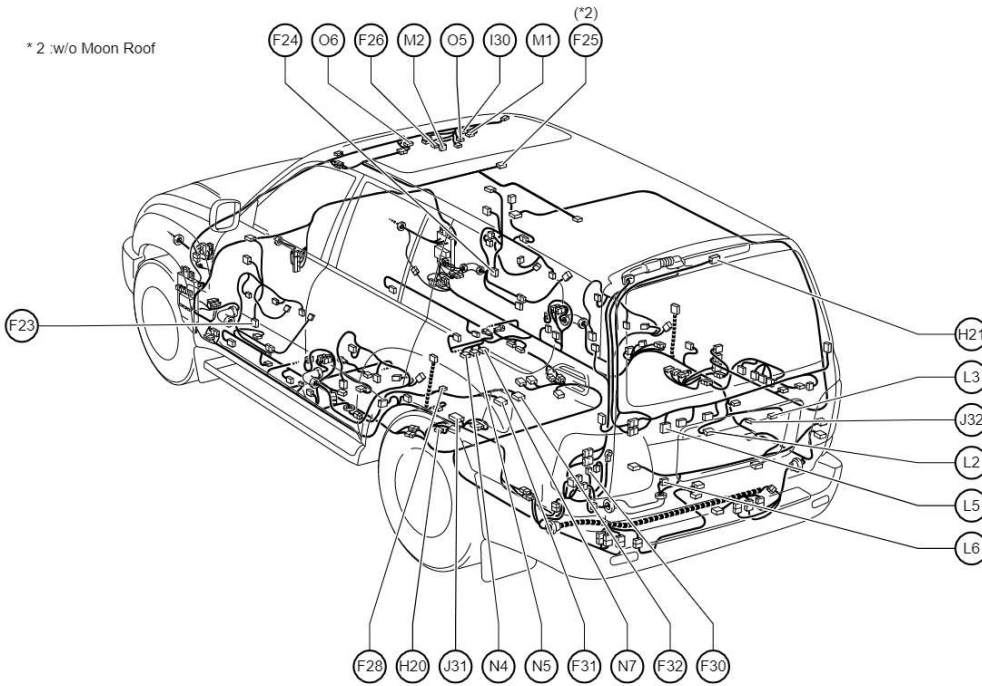
- * 3 :Automatic A/C
- * 4 :Manual A/C
- * 5 :w/ Double Locking
- * 6 :w/o Double Locking



- | | |
|---|------------------------------------|
| A41 A/C Amplifier | D22 Door Courtesy SW Rear RH |
| A42 A/C Amplifier | D23 Door Key Lock and Unlock SW LH |
| A43 A/C Amplifier | D24 Door Key Lock and Unlock SW RH |
| A44 A/C Amplifier | D25 Door Lock Motor Front LH |
| A45 ABS Speed Sensor Rear LH | Door Unlock Detection SW Front LH |
| A46 ABS Speed Sensor Rear RH | D26 Door Lock Motor Front RH |
| A47 Accumulator Solenoid | Door Unlock Detection SW Front RH |
| B 7 Back Door Courtesy SW | D27 Door Lock Motor Rear LH |
| B 8 Back Door Key Lock and Unlock SW | Door Unlock Detection SW Rear LH |
| B 9 Back Door Lock Motor and | D28 Door Lock Motor Rear RH |
| Back Door Unlock Detection SW | Door Unlock Detection SW Rear RH |
| C26 Control Valve Assembly | D29 Driving Position Memory SW |
| C35 Curtain Shield Airbag Squib LH | D38 Door Control Receiver |
| C36 Curtain Shield Airbag Squib RH | D39 Door Lock Motor Front LH |
| D10 Damping Force Control Actuator Front LH | Door Unlock Detection SW Front LH |
| D11 Damping Force Control Actuator Front RH | Double Lock Motor Front LH |
| D12 Damping Force Control Actuator Rear LH | Double Lock Position SW Front LH |
| D13 Damping Force Control Actuator Rear RH | D40 Door Lock Motor Front RH |
| D14 Detection SW (Rear Diff. Lock) | Door Unlock Detection SW Front RH |
| D15 Door Courtesy Light Front LH | Double Lock Motor Front RH |
| D16 Door Courtesy Light Front RH | Double Lock Position SW Front RH |
| D17 Door Courtesy Light Rear LH | D41 Door Lock Motor Rear LH |
| D18 Door Courtesy Light Rear RH | Door Unlock Detection SW Rear LH |
| D19 Door Courtesy SW Front LH | Double Lock Motor Rear LH |
| D20 Door Courtesy SW Front RH | Double Lock Position SW Rear LH |
| D21 Door Courtesy SW Rear LH | D42 Door Lock Motor Rear RH |
| | Door Unlock Detection SW Rear RH |
| | Double Lock Motor Rear RH |
| | Double Lock Position SW Rear RH |

Position of Parts in Body

[RHD : Liftgate Type]

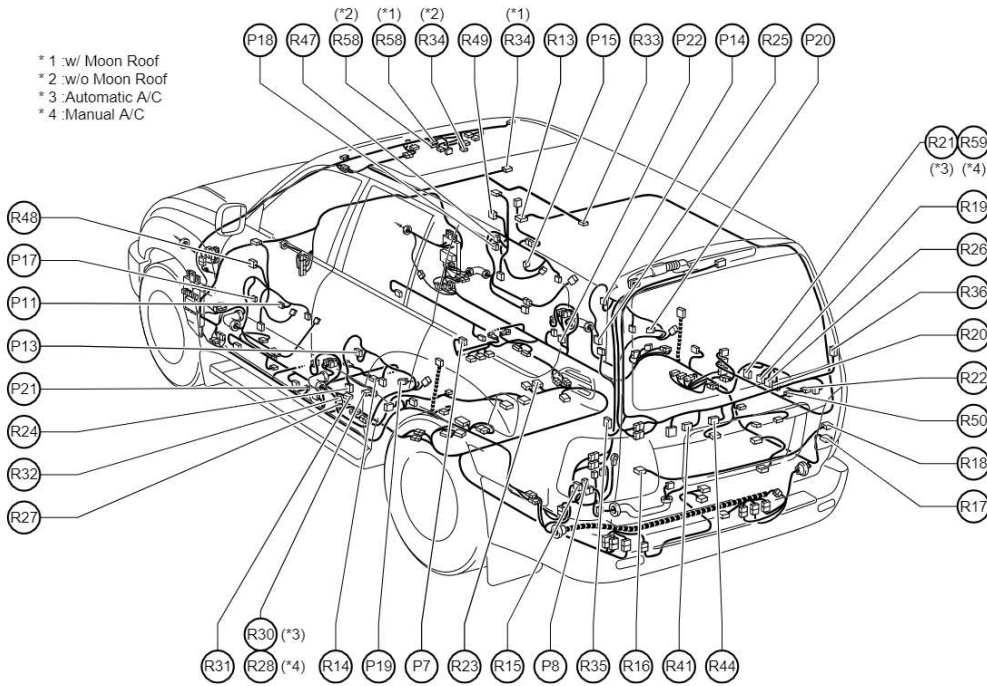


F 23 Front Door Speaker LH	L 2 License Plate Light LH
F 24 Front Door Speaker RH	L 3 License Plate Light RH
F 25 Front Interior Light	L 5 License Plate Light No.1
F 26 Front Personal Light	L 6 License Plate Light No.2
F 28 Fuel Pump	M 1 Moon Roof Control ECU
Fuel Sender	M 2 Moon Roof Control SW
F 30 Fuel Pump Select Relay	N 4 Navigation ECU
F 31 Fuel Solenoid Valve 1	N 5 Navigation ECU
F 32 Fuel Solenoid Valve 2	N 7 Navigation ECU
H 20 Height Control Sensor Rear	O 5 Overhead J/B
H 21 High Mounted Stop Light	O 6 Overhead J/B
I 30 Inner Mirror	
J 31 Junction Connector	
J 32 Junction Connector	

E ELECTRICAL WIRING ROUTING

Position of Parts in Body

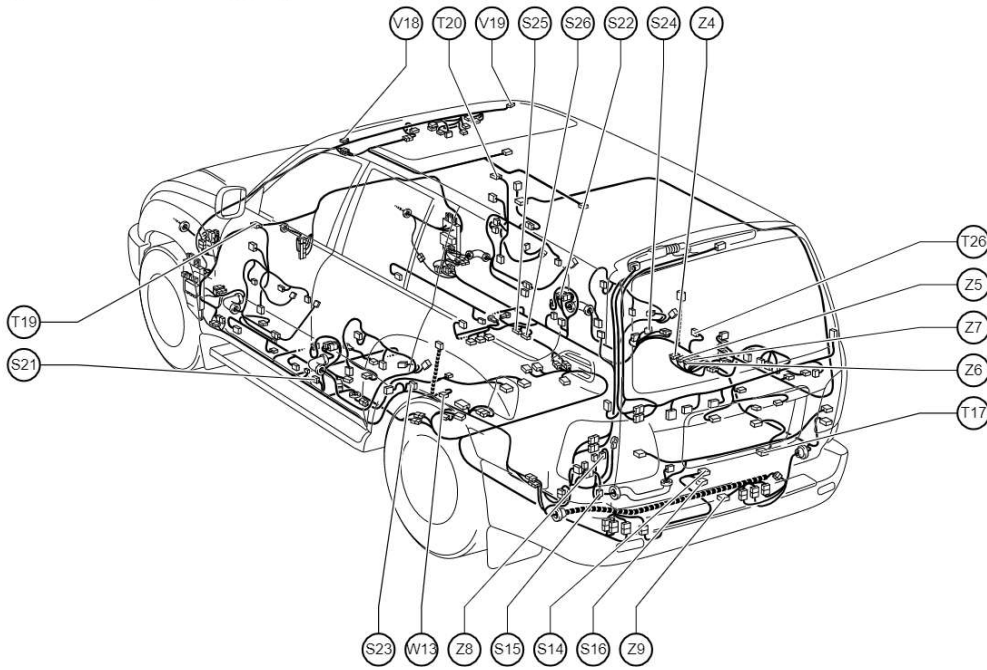
[RHD : Liftgate Type]



- | | |
|--|----------------------------------|
| P 7 Parking Brake SW | R22 Rear Cooler Relay |
| P 8 Power Outlet (Luggage Compartment) | R23 Rear Diff. Lock Motor |
| P11 Power Window Control SW Front LH | R24 Rear Door Speaker LH |
| P13 Power Window Control SW Rear LH | R25 Rear Door Speaker RH |
| P14 Power Window Control SW Rear RH | R26 Rear Evaporator Temp. Sensor |
| P15 Power Window Master SW | R27 Rear Heater Blower Motor |
| P17 Power Window Motor Front LH | R28 Rear Heater Blower Resistor |
| P18 Power Window Motor Front RH | R30 Rear Heater Power Transistor |
| P19 Power Window Motor Rear LH | R31 Rear Heater Relay |
| P20 Power Window Motor Rear RH | R32 Rear Inlet Air Temp. Sensor |
| P21 Pretensioner LH | R33 Rear Interior Light |
| P22 Pretensioner RH | R34 Rear Personal Light |
| R13 Rear A/C Control SW | R35 Rear Window Defogger |
| R14 Rear Air Mix Control Servo Motor | R36 Rear Window Defogger |
| R15 Rear Combination Light LH | R41 Rear Wiper Motor |
| R16 Rear Combination Light LH | R44 Rear Wiper Relay |
| R17 Rear Combination Light RH | R47 Remote Control Mirror ECU |
| R18 Rear Combination Light RH | R48 Remote Control Mirror LH |
| R19 Rear Cooler Blower Motor | R49 Remote Control Mirror RH |
| R20 Rear Cooler Magnetic Valve | R50 Room Temp. Sensor (Rear) |
| R21 Rear Cooler Power Transistor | R58 Rain Sensor |
| | R59 Rear Cooler Blower Resistor |

Position of Parts in Body

[RHD : Liftgate Type]



S14 Sub Fuel Pump
 S15 Sub Fuel Pump Forcing Driving Relay
 S16 Sub Fuel Sender
 S21 Side Airbag Sensor Front LH
 S22 Side Airbag Sensor Front RH
 S23 Side Airbag Sensor Rear LH
 S24 Side Airbag Sensor Rear RH
 S25 Stereo Component Amplifier
 S26 Stereo Component Amplifier

T17 Tire Carrier Courtesy SW
 T19 Tweeter LH
 T20 Tweeter RH
 T26 Theft Deterrent Siren

V18 Vanity Light LH
 V19 Vanity Light RH

W13 Woofer (Speaker)

Z 4 Option Connector (Celular Mobile Telephone)
 Z 5 Option Connector (Celular Mobile Telephone)
 Z 6 Option Connector (Celular Mobile Telephone)
 Z 7 Option Connector (Celular Mobile Telephone)
 Z 8 Option Connector (Microphone)
 Z 9 Option Connector (Trailer Towing)

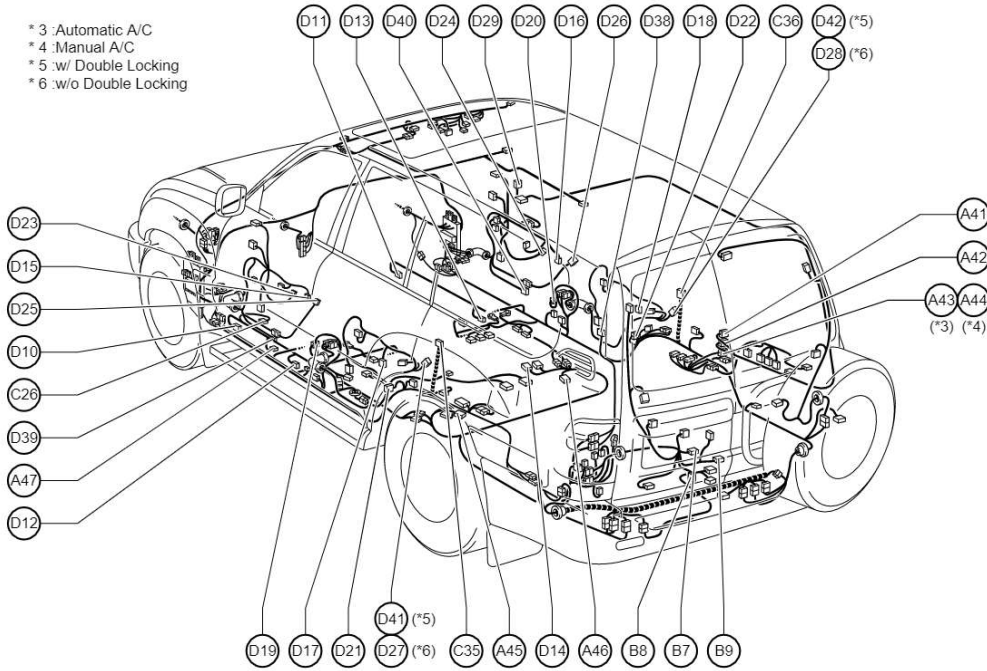
cardiagn.com

E ELECTRICAL WIRING ROUTING

Position of Parts in Body

[RHD : Swing Type]

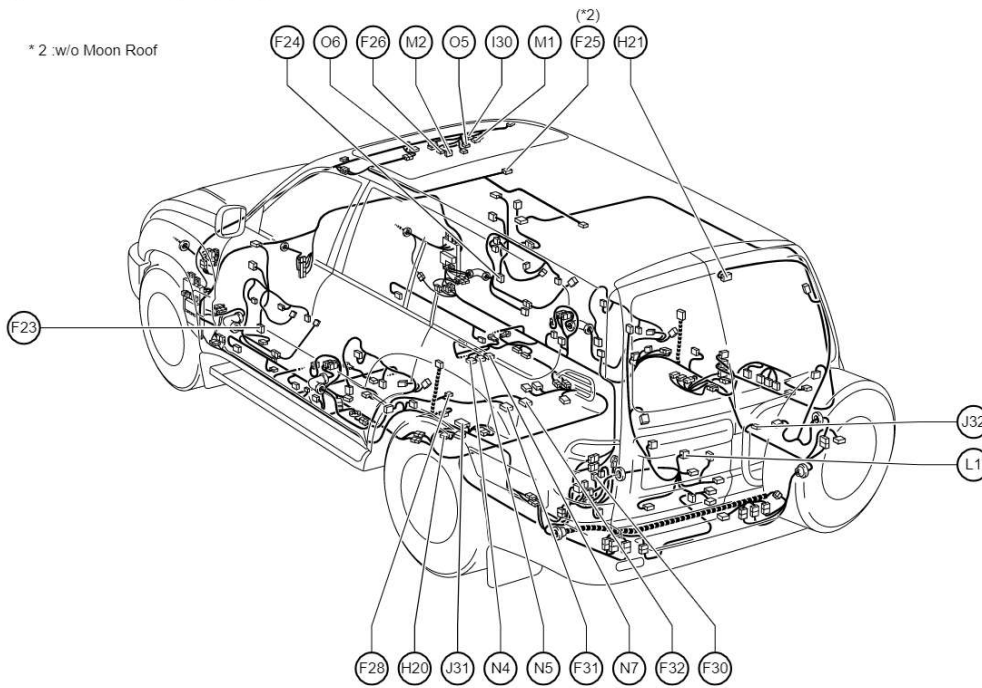
- * 3 :Automatic A/C
- * 4 :Manual A/C
- * 5 :w/ Double Locking
- * 6 :w/o Double Locking



- | | |
|---|------------------------------------|
| A41 A/C Amplifier | D22 Door Courtesy SW Rear RH |
| A42 A/C Amplifier | D23 Door Key Lock and Unlock SW LH |
| A43 A/C Amplifier | D24 Door Key Lock and Unlock SW RH |
| A44 A/C Amplifier | D25 Door Lock Motor Front LH |
| A45 ABS Speed Sensor Rear LH | Door Unlock Detection SW Front LH |
| A46 ABS Speed Sensor Rear RH | D26 Door Lock Motor Front RH |
| A47 Accumulator Solenoid | Door Unlock Detection SW Front RH |
| B 7 Back Door Courtesy SW | D27 Door Lock Motor Rear LH |
| B 8 Back Door Key Lock and Unlock SW | Door Unlock Detection SW Rear LH |
| B 9 Back Door Lock Motor and | D28 Door Lock Motor Rear RH |
| Back Door Unlock Detection SW | Door Unlock Detection SW Rear RH |
| C26 Control Valve Assembly | D29 Driving Position Memory SW |
| C35 Curtain Shield Airbag Squib LH | D38 Door Control Receiver |
| C36 Curtain Shield Airbag Squib RH | D39 Door Lock Motor Front LH |
| D10 Damping Force Control Actuator Front LH | Door Unlock Detection SW Front LH |
| D11 Damping Force Control Actuator Front RH | Double Lock Motor Front LH |
| D12 Damping Force Control Actuator Rear LH | Double Lock Position SW Front LH |
| D13 Damping Force Control Actuator Rear RH | D40 Door Lock Motor Front RH |
| D14 Detection SW (Rear Diff. Lock) | Door Unlock Detection SW Front RH |
| D15 Door Courtesy Light Front LH | Double Lock Motor Front RH |
| D16 Door Courtesy Light Front RH | Double Lock Position SW Front RH |
| D17 Door Courtesy Light Rear LH | D41 Door Lock Motor Rear LH |
| D18 Door Courtesy Light Rear RH | Door Unlock Detection SW Rear LH |
| D19 Door Courtesy SW Front LH | Double Lock Motor Rear LH |
| D20 Door Courtesy SW Front RH | Double Lock Position SW Rear LH |
| D21 Door Courtesy SW Rear LH | D42 Door Lock Motor Rear RH |
| | Door Unlock Detection SW Rear RH |
| | Double Lock Motor Rear RH |
| | Double Lock Position SW Rear RH |

Position of Parts in Body

[RHD : Swing Type]



F 23 Front Door Speaker LH
 F 24 Front Door Speaker RH
 F 25 Front Interior Light
 F 26 Front Personal Light
 F 28 Fuel Pump
 Fuel Sender
 F 30 Fuel Pump Select Relay
 F 31 Fuel Solenoid Valve 1
 F 32 Fuel Solenoid Valve 2

H20 Height Control Sensor Rear
 H21 High Mounted Stop Light

I 30 Inner Mirror

J 31 Junction Connector
 J 32 Junction Connector

L 1 License Plate Light

M 1 Moon Roof Control ECU
 M 2 Moon Roof Control SW

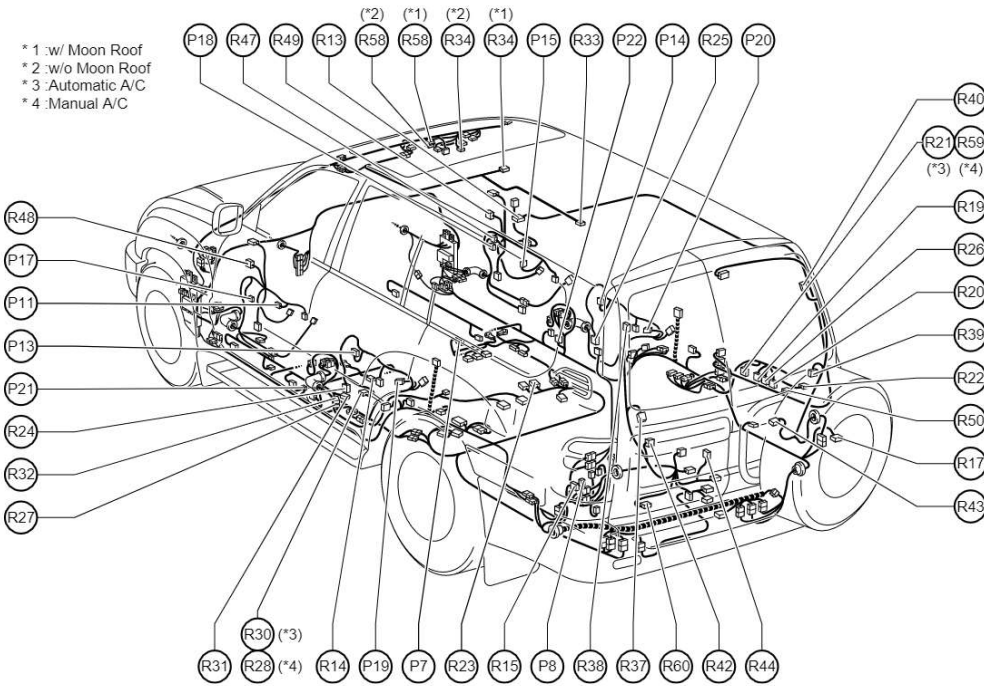
N 4 Navigation ECU
 N 5 Navigation ECU
 N 7 Navigation ECU

O 5 Overhead J/B
 O 6 Overhead J/B

E ELECTRICAL WIRING ROUTING

Position of Parts in Body

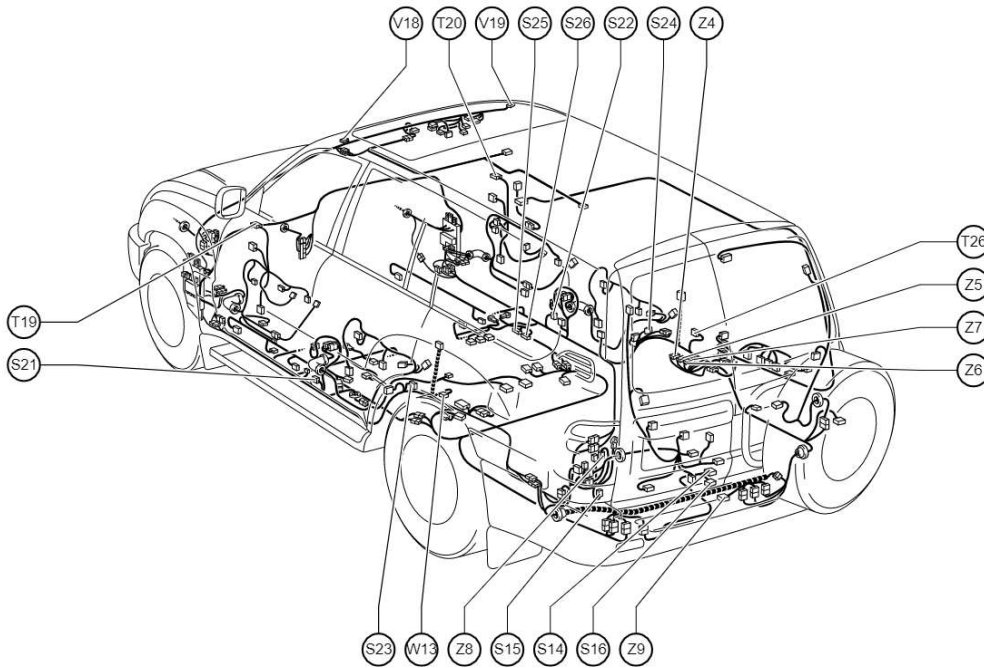
[RHD : Swing Type]



- | | |
|--|----------------------------------|
| P 7 Parking Brake SW | R25 Rear Door Speaker RH |
| P 8 Power Outlet (Luggage Compartment) | R26 Rear Evaporator Temp. Sensor |
| P11 Power Window Control SW Front LH | R27 Rear Heater Blower Motor |
| P13 Power Window Control SW Rear LH | R28 Rear Heater Blower Resistor |
| P14 Power Window Control SW Rear RH | R30 Rear Heater Power Transistor |
| P15 Power Window Master SW | R31 Rear Heater Relay |
| P17 Power Window Motor Front LH | R32 Rear Inlet Air Temp. Sensor |
| P18 Power Window Motor Front RH | R33 Rear Interior Light |
| P19 Power Window Motor Rear LH | R34 Rear Personal Light |
| P20 Power Window Motor Rear RH | R37 Rear Window Defogger LH |
| P21 Pretensioner LH | R38 Rear Window Defogger LH |
| P22 Pretensioner RH | R39 Rear Window Defogger RH |
| R13 Rear A/C Control SW | R40 Rear Window Defogger RH |
| R14 Rear Air Mix Control Servo Motor | R42 Rear Wiper Motor LH |
| R15 Rear Combination Light LH | R43 Rear Wiper Motor RH |
| R17 Rear Combination Light RH | R44 Rear Wiper Relay |
| R19 Rear Cooler Blower Motor | R47 Remote Control Mirror ECU |
| R20 Rear Cooler Magnetic Valve | R48 Remote Control Mirror LH |
| R21 Rear Cooler Power Transistor | R49 Remote Control Mirror RH |
| R22 Rear Cooler Relay | R50 Room Temp. Sensor (Rear) |
| R23 Rear Diff. Lock Motor | R58 Rain Sensor |
| R24 Rear Door Speaker LH | R59 Rear Cooler Blower Resistor |
| | R60 Rear Fog Light |

Position of Parts in Body

[RHD : Swing Type]



S14 Sub Fuel Pump
 S15 Sub Fuel Pump Forcing Driving Relay
 S16 Sub Fuel Sender
 S21 Side Airbag Sensor Front LH
 S22 Side Airbag Sensor Front RH
 S23 Side Airbag Sensor Rear LH
 S24 Side Airbag Sensor Rear RH
 S25 Stereo Component Amplifier
 S26 Stereo Component Amplifier

T19 Tweeter LH
 T20 Tweeter RH
 T26 Theft Deterrent Siren

V18 Vanity Light LH
 V19 Vanity Light RH

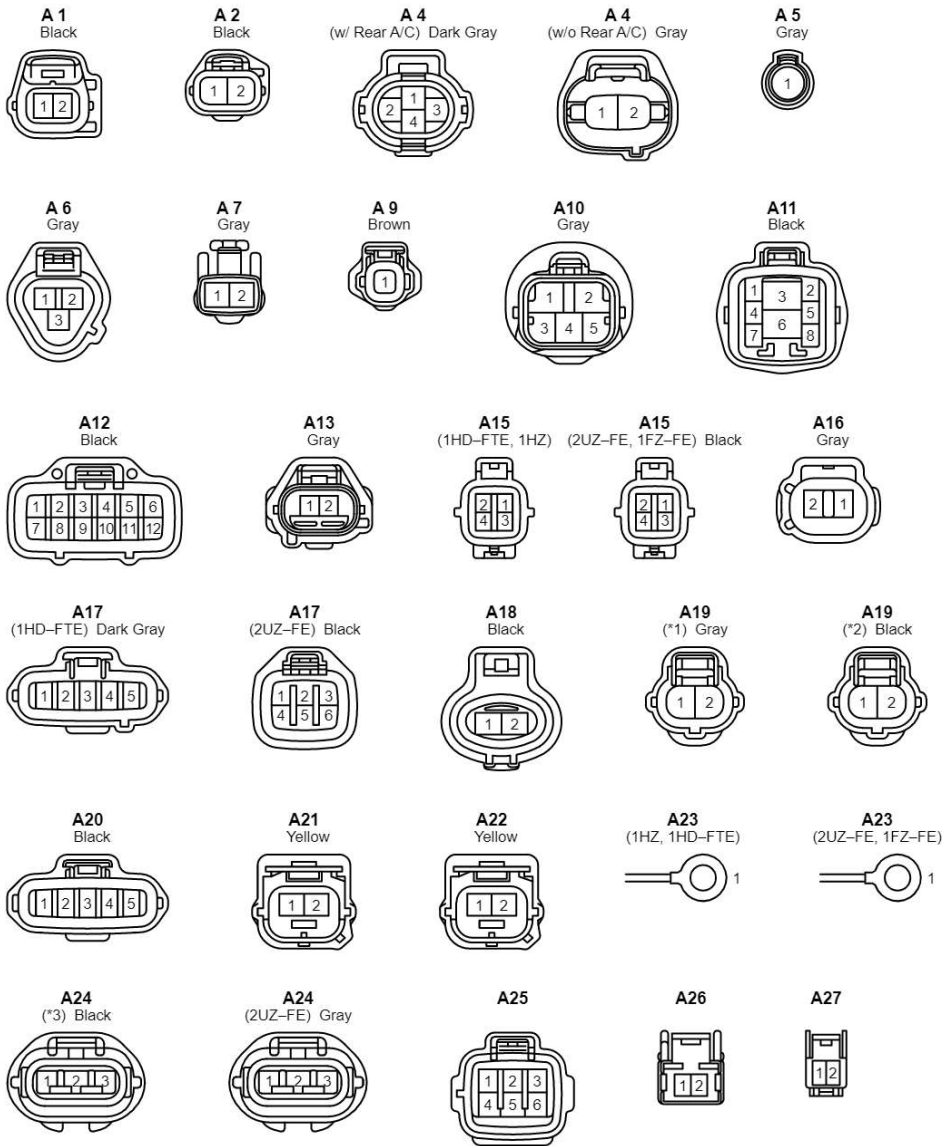
W13 Woofer (Speaker)

Z 4 Option Connector (Celular Mobile Telephone)
 Z 5 Option Connector (Celular Mobile Telephone)
 Z 6 Option Connector (Celular Mobile Telephone)
 Z 7 Option Connector (Celular Mobile Telephone)
 Z 8 Option Connector (Microphone)
 Z 9 Option Connector (Trailer Towing)

cardiagn.com

F CONNECTOR LIST

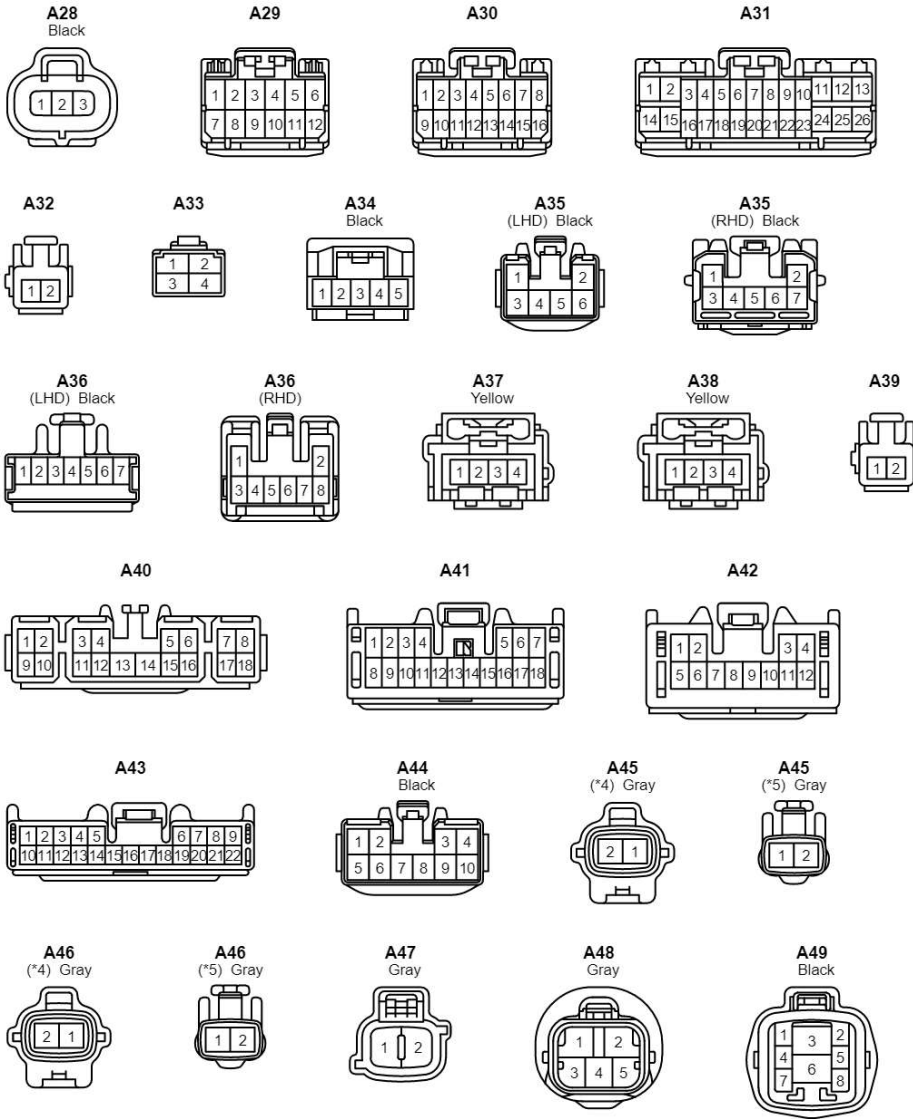
*1 : 1HZ LHD, 1HD-FTE
 *2 : 2UZ-FE, 1FZ-FE RHD
 *3 : 1HD-FTE, 1HZ, 1FZ-FE



cardiagn.com

*4 : Independent Suspension

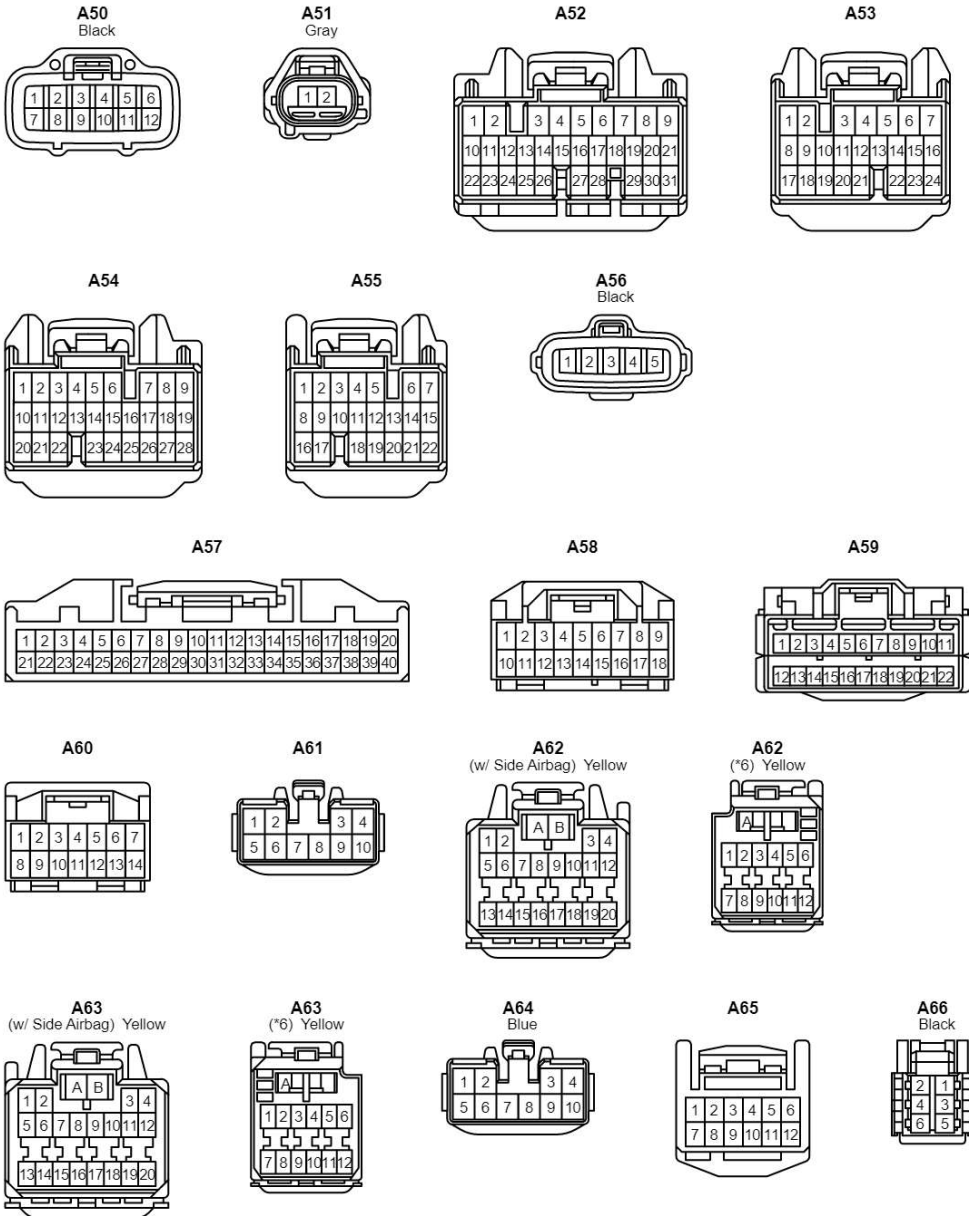
*5 : Rigid Axle Suspension



cardiagn.com

F CONNECTOR LIST

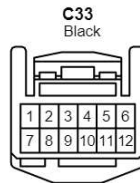
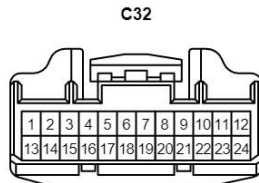
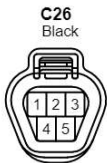
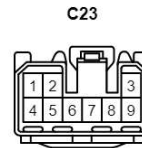
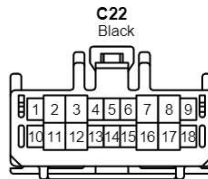
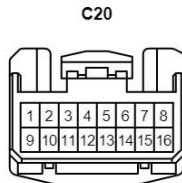
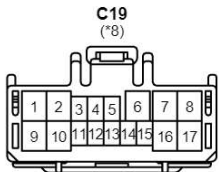
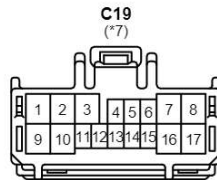
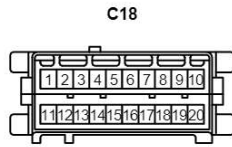
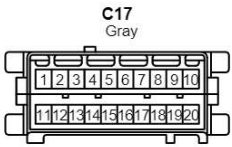
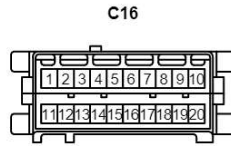
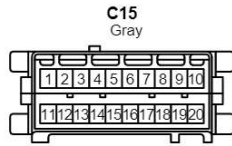
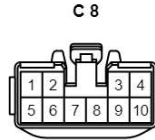
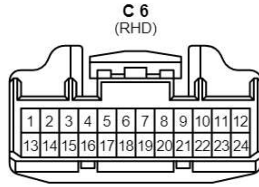
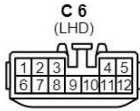
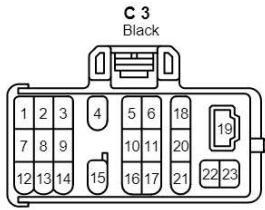
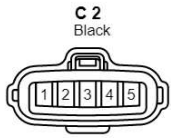
*6 : w/o Side Airbag



cardiagn.com

F CONNECTOR LIST

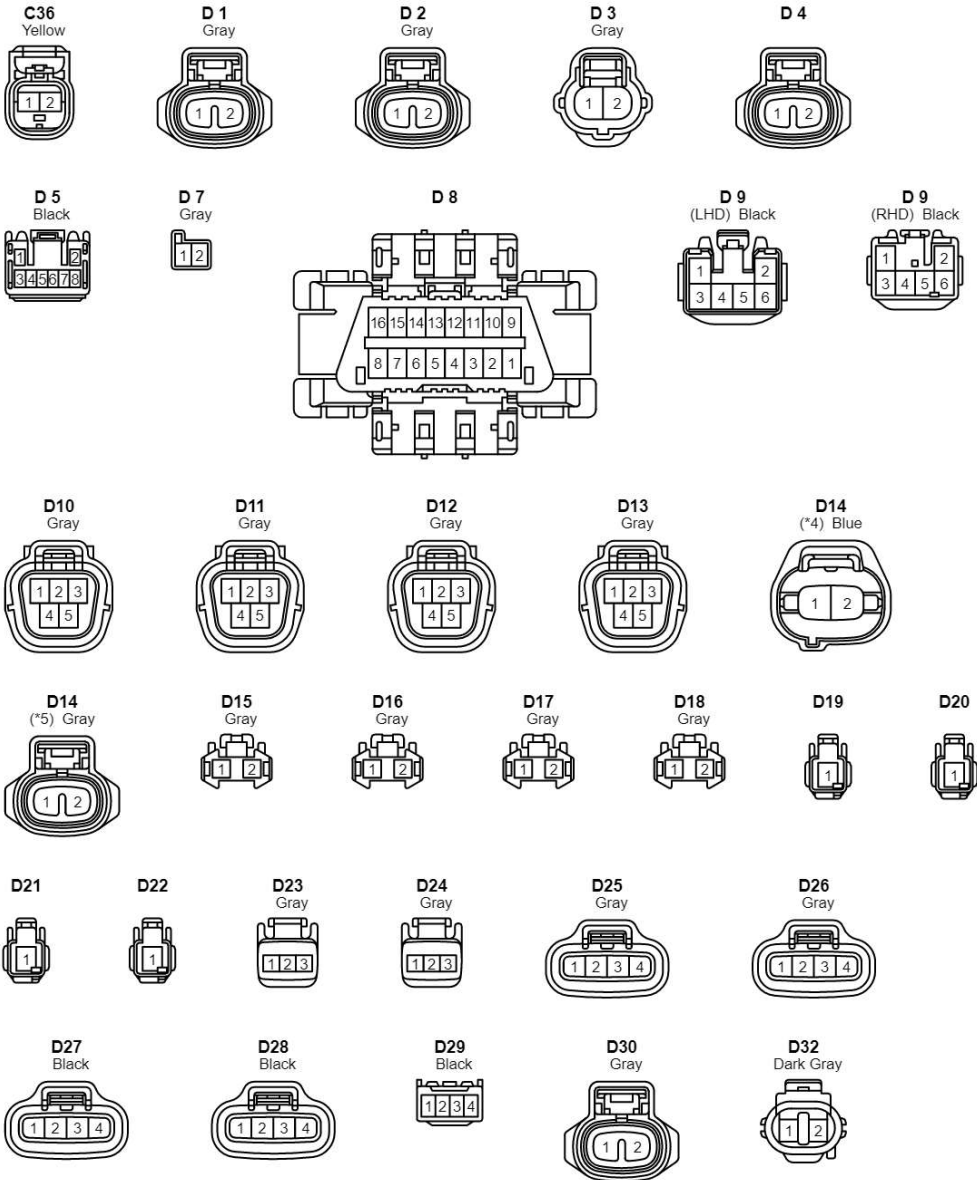
*7 : LHD, RHD Europe
 *8 : RHD Except Europe



cardiagn.com

*4 : Independent Suspension

*5 : Rigid Axle Suspension

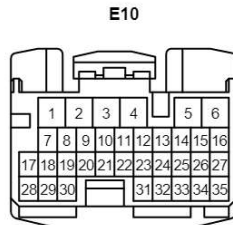
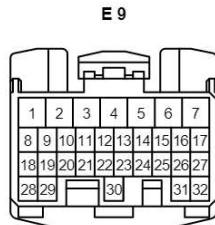
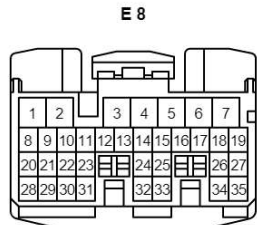
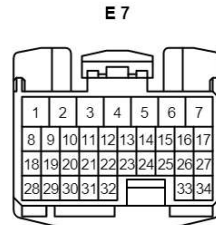
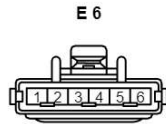
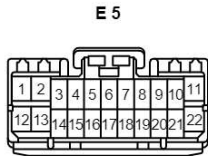
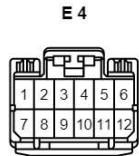
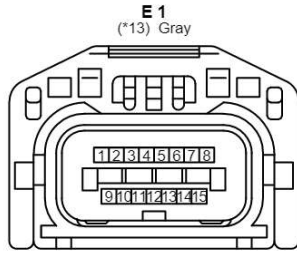
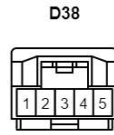
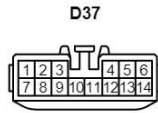
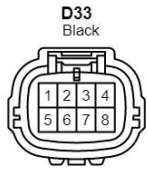


cardiagn.com

F CONNECTOR LIST

*13 : 2UZ-FE, 1HD-FTE Except Europe

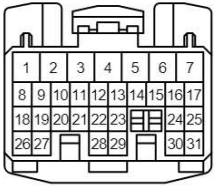
*14 : 1FZ-FE, 1HD-FTE



cardiagn.com

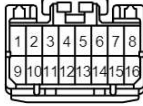
*15: 1HD-FTE Except Europe

E11



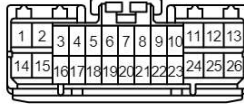
E12

Dark Gray



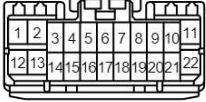
E13

Dark Gray



E14

Dark Gray



E15

Black



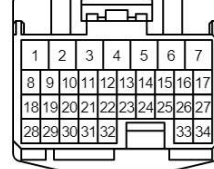
E16

(1HD-FTE Europe)



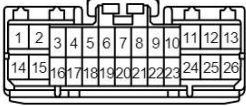
E16

(*15)



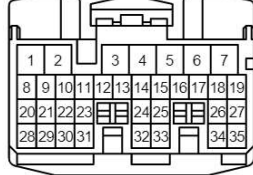
E17

(1HD-FTE Europe) Dark Gray



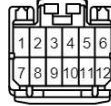
E17

(*15)



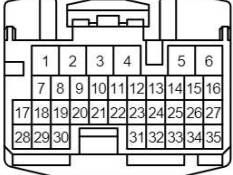
E18

(1HD-FTE Europe)



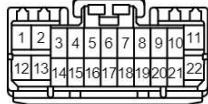
E18

(*15)



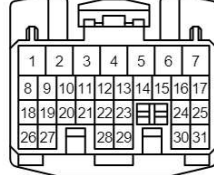
E19

(1HD-FTE Europe)



E19

(*15)

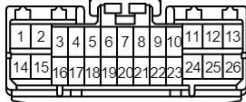


E20

Gray

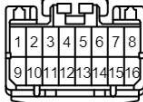


E21



E22

Dark Gray



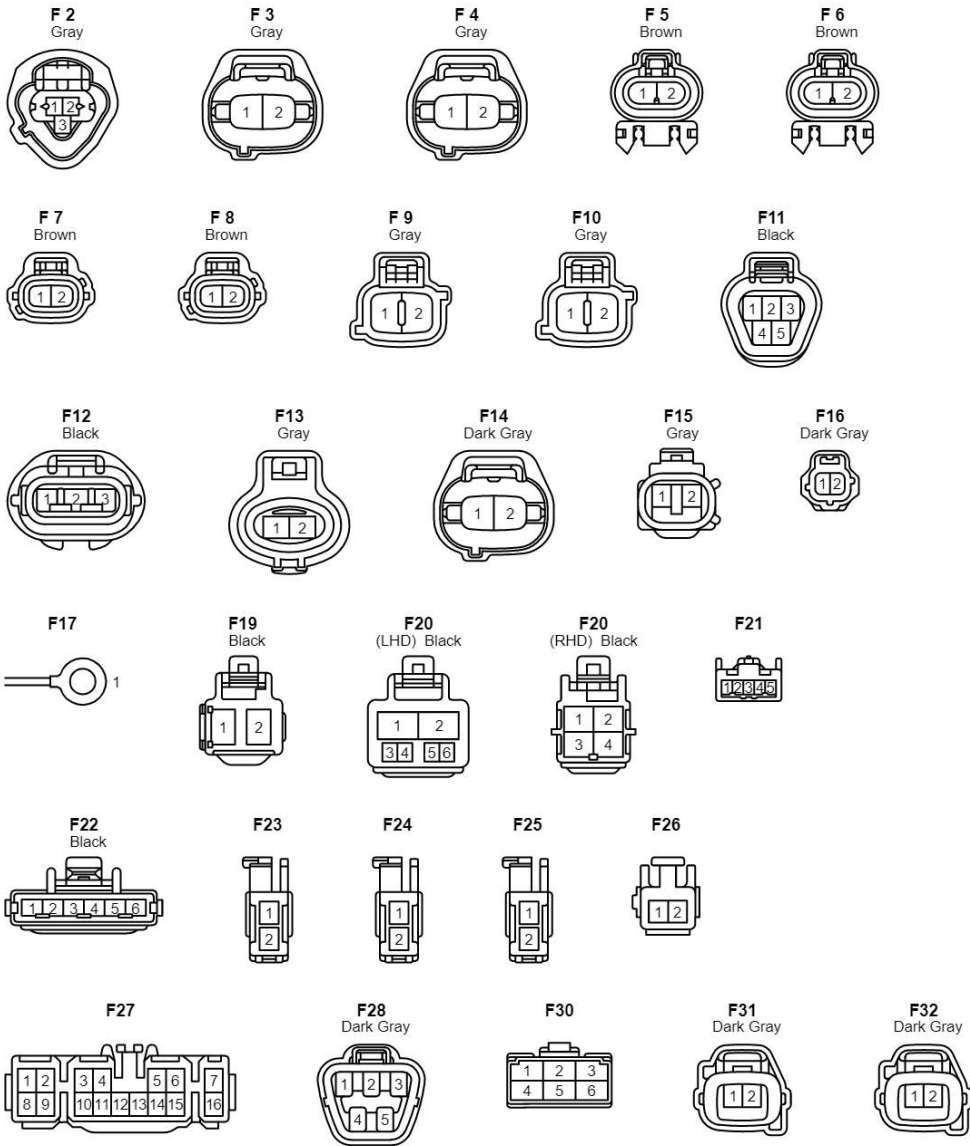
F 1

Gray

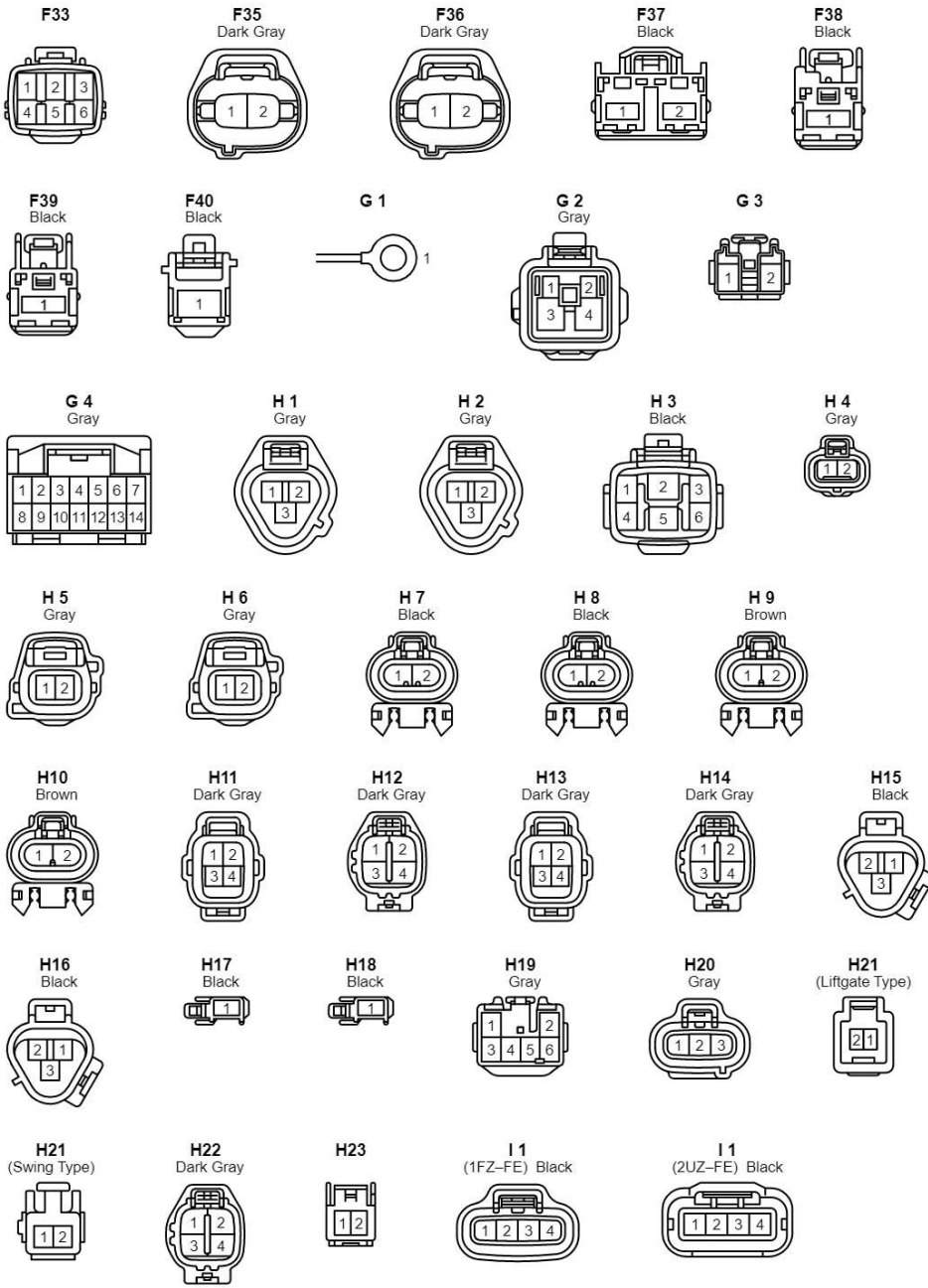


cardiagn.com

F CONNECTOR LIST

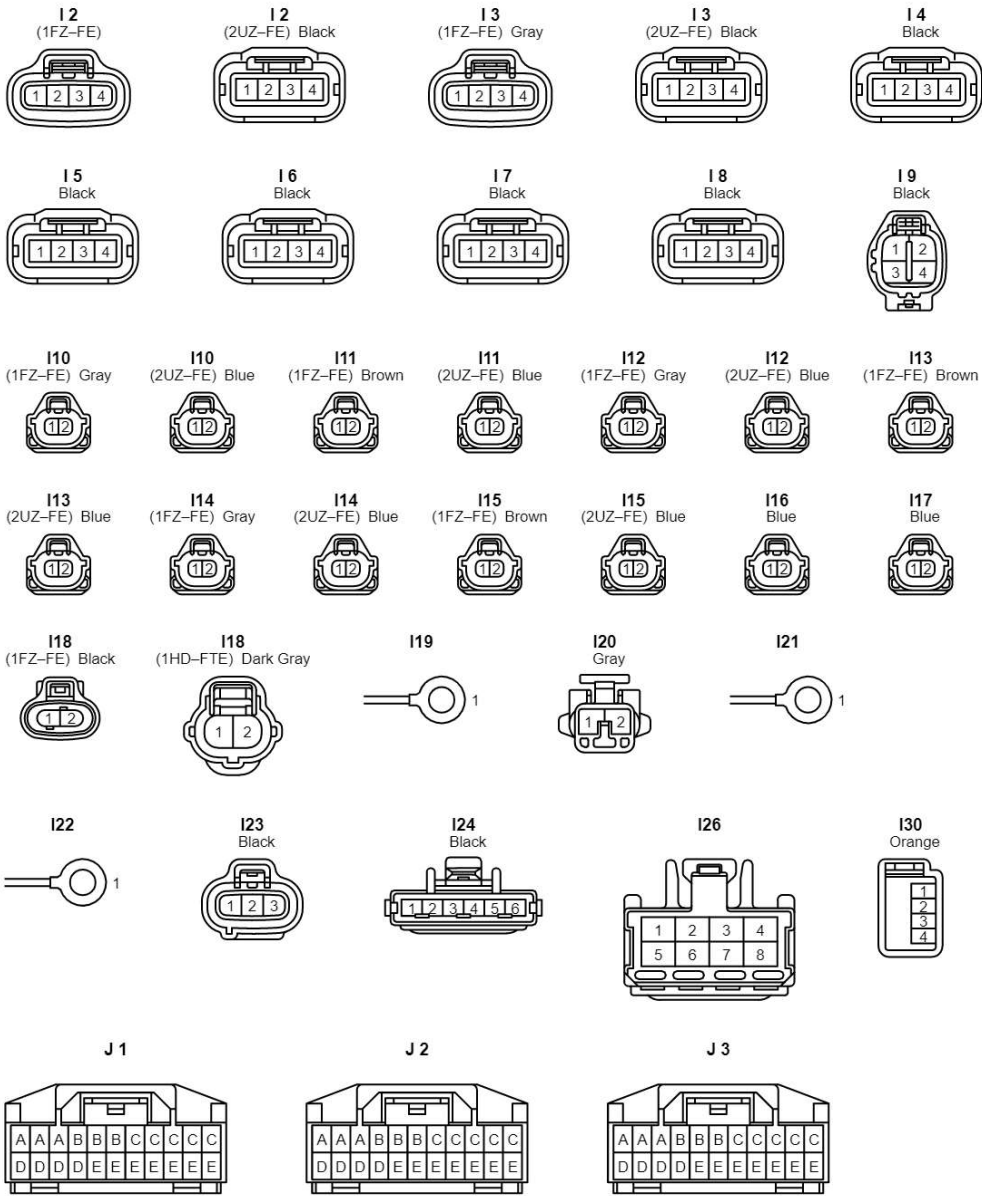


cardiagn.com

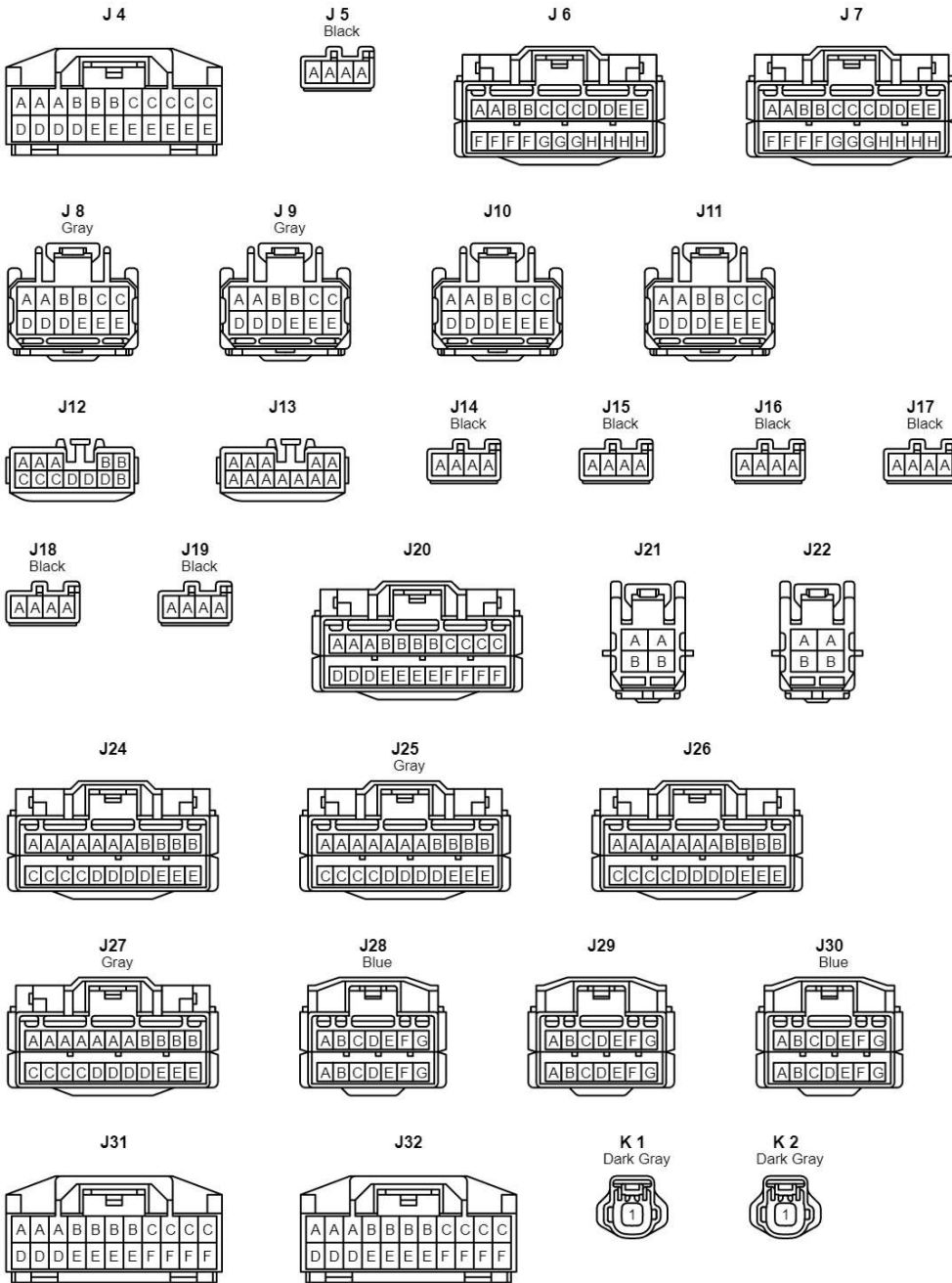


cardiagn.com

F CONNECTOR LIST



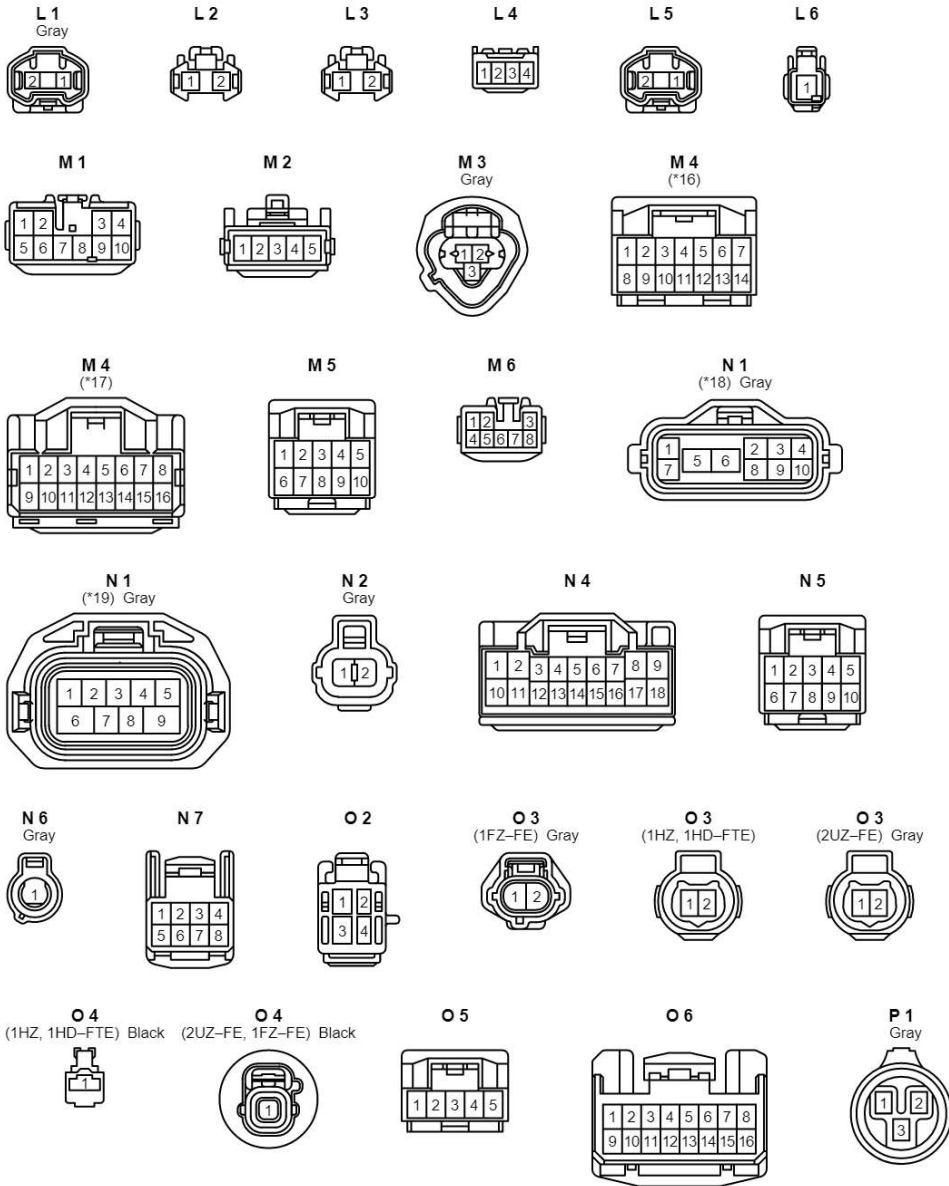
cardiagn.com



cardiagn.com

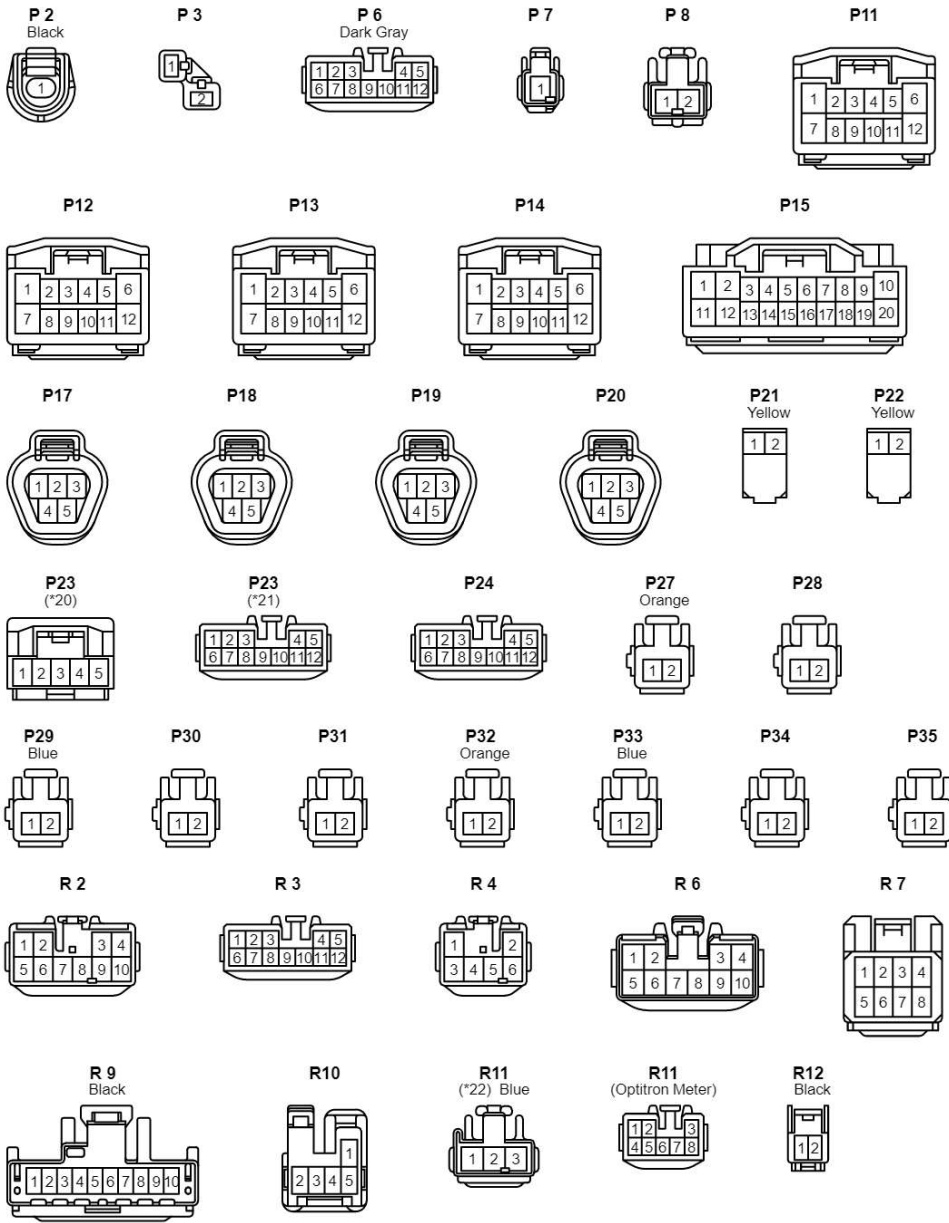
F CONNECTOR LIST

*16 : w/ Navigation System
 *17 : w/o Navigation System
 *18 : 1HD-FTE 4AT, 1FZ-FE LHD
 *19 : 2UZ-FE, 1HD-FTE 5A/T



cardiagn.com

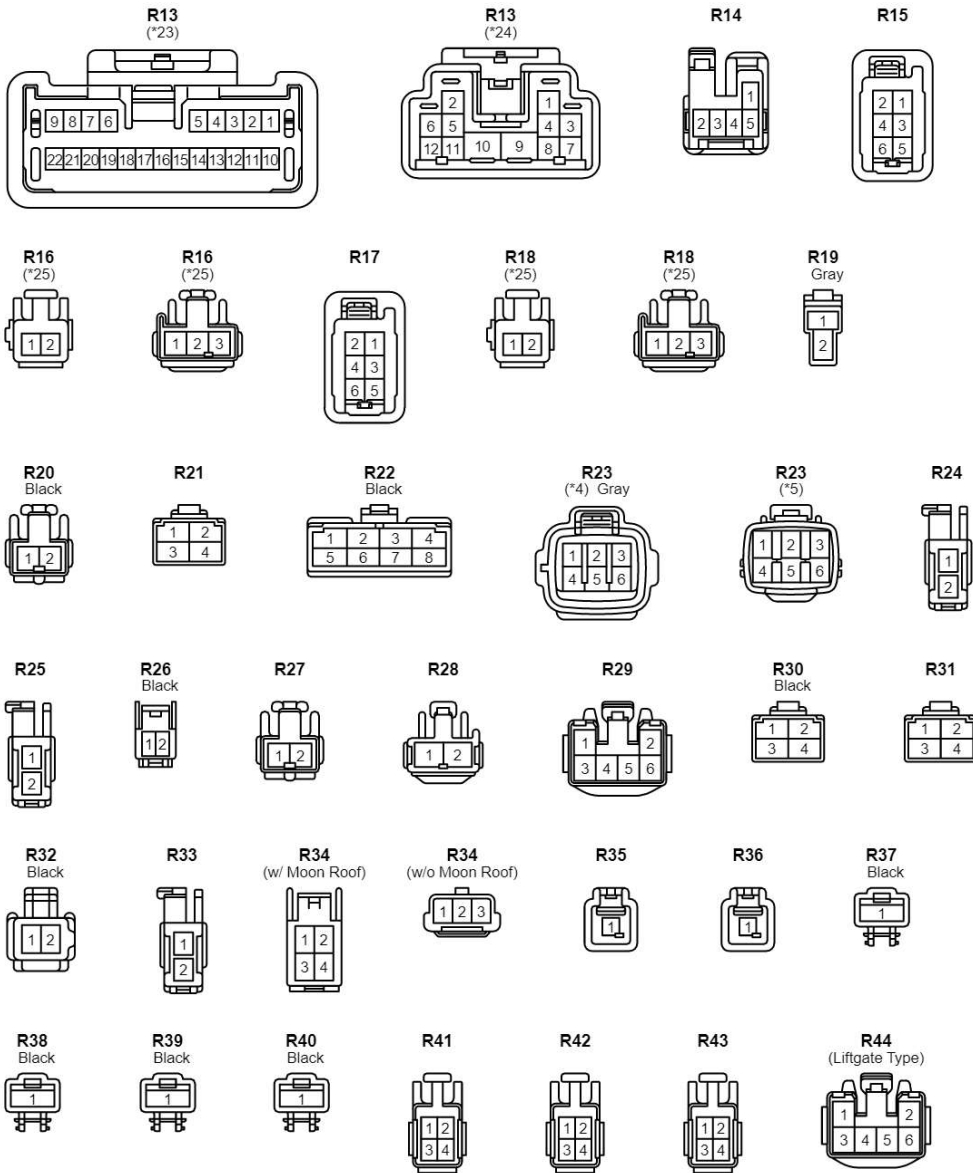
*20 : w/ Driving Position Memory
 *21 : w/o Driving Position Memory
 *22 : Except Optitron Meter



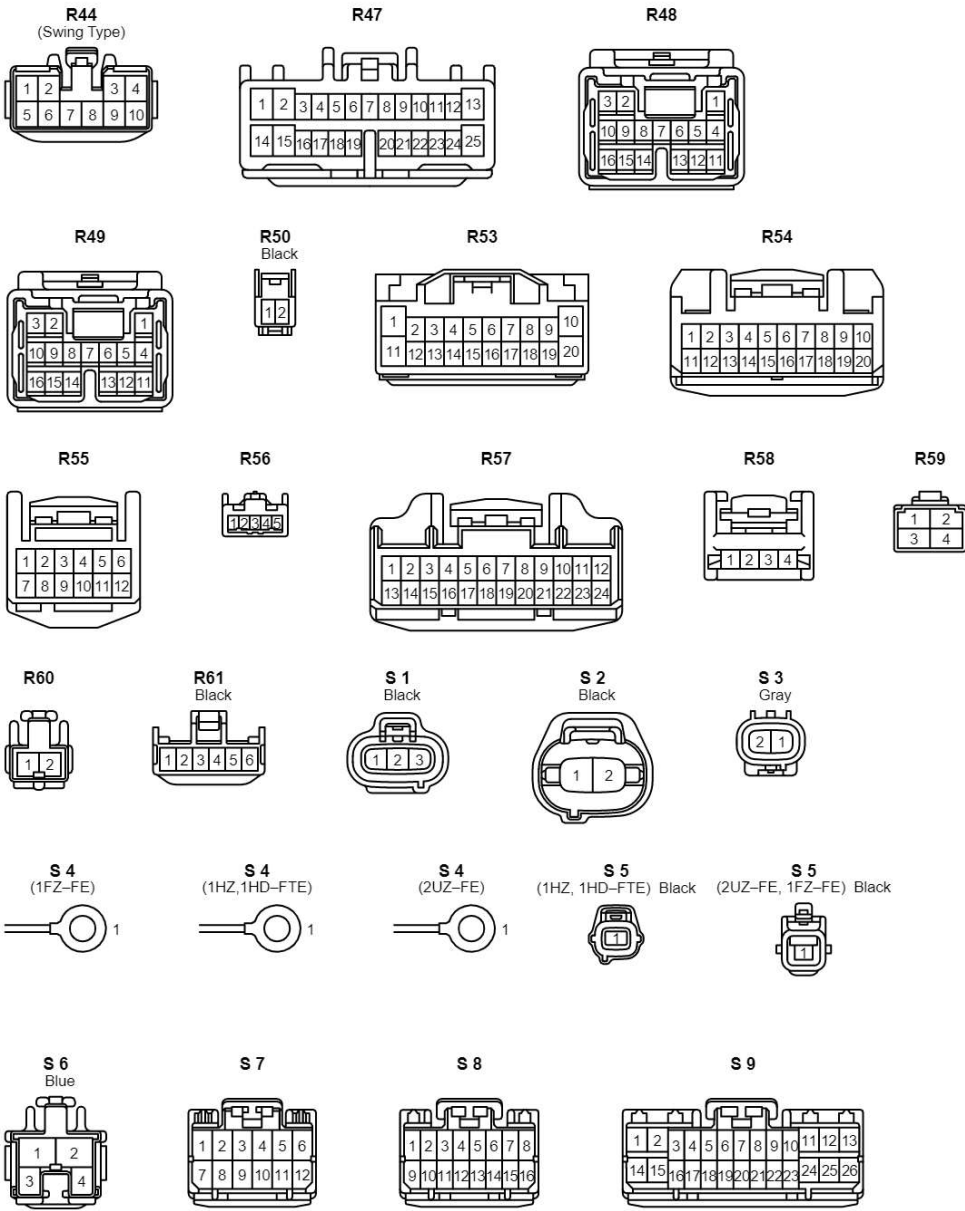
cardiagn.com

F CONNECTOR LIST

*4 : Independent Suspension
 *5 : Rigid Axle Suspension
 *23 : Rear Automatic A/C
 *24 : Rear Manual A/C
 *25 : w/ Rear Fog Light

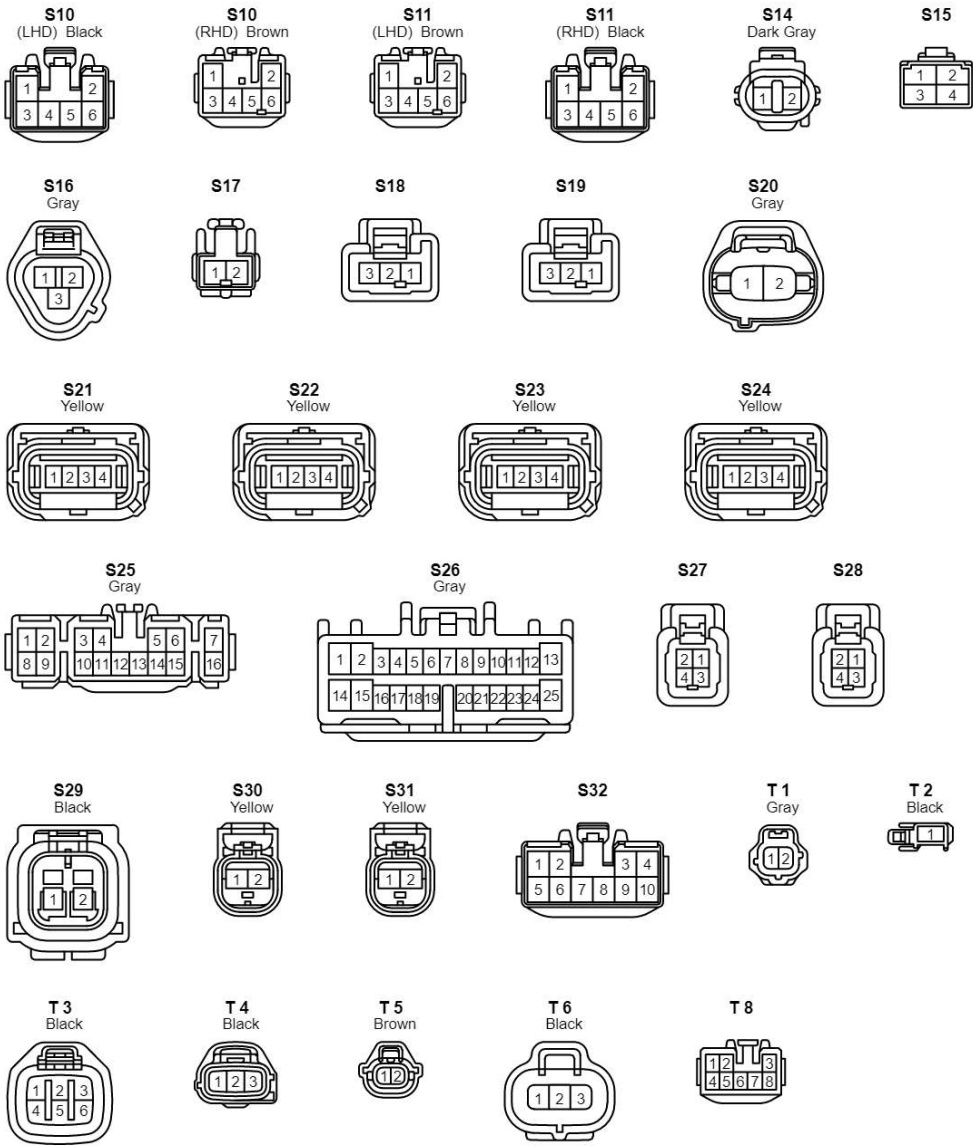


cardiagn.com



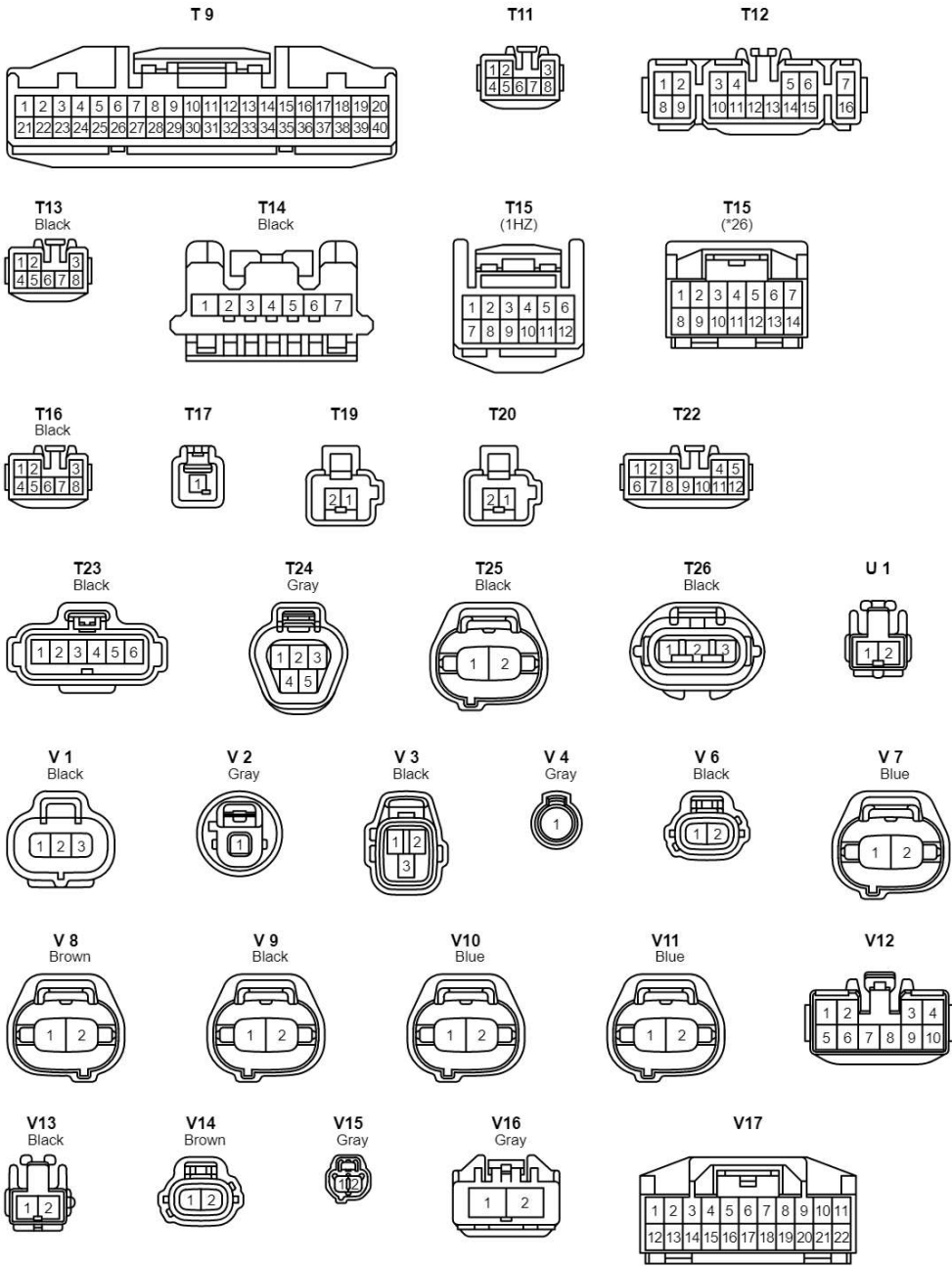
cardiagn.com

F CONNECTOR LIST



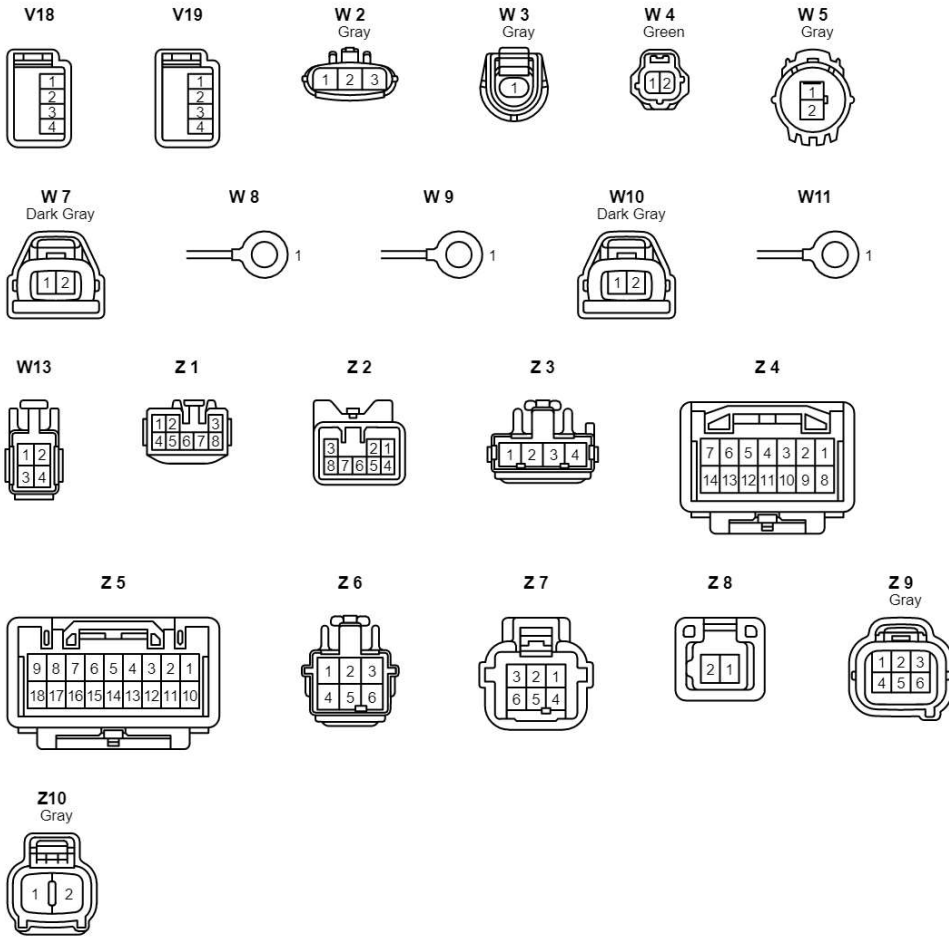
cardiagn.com

*26 : 2UZ-FE, 1FZ-FE, 1HD-FTE



cardiagn.com

F CONNECTOR LIST



cardiagn.com

cardiagn.com

G PART NUMBER OF CONNECTORS

Code	Part Name	Part Number	Code	Part Name	Part Number
A 1	A/C Ambient Temp. Sensor	90980-11070	A45	ABS Speed Sensor Rear LH (Independent Suspension)	90980-11073
A 2	A/C Condenser Fan Motor	90980-11237		ABS Speed Sensor Rear LH (Rigid Axle Suspension)	90980-11075
A 4	Pressure SW (w/ Rear A/C)	90980-10943	A46	ABS Speed Sensor Rear RH (Independent Suspension)	90980-11073
	Pressure SW (w/o Rear A/C)	90980-11149		ABS Speed Sensor Rear RH (Rigid Axle Suspension)	90980-11075
A 5	A/C Magnetic Clutch	90980-11271	A47	Accumulator Solenoid	90980-11019
A 6	A/C Magnetic Clutch and Lock Sensor	90980-11016	A48	ABS & BA & TRC & VSC Actuator	90980-11413
A 7	A/C Magnetic Valve	90980-11075	A49	ABS & BA & TRC & VSC Actuator	90980-10895
A 9	A/T Oil Temp. Sensor	90980-11243	A50	ABS & BA & TRC & VSC Actuator	90980-11151
A10	ABS Actuator	90980-11413	A51	ABS & BA & TRC & VSC Actuator	90980-11009
A11	ABS Actuator	90980-10895	A52	ABS & BA & TRC & VSC ECU	90980-11935
A12	ABS Actuator	90980-11151	A53	ABS & BA & TRC & VSC ECU	90980-11476
A13	ABS Actuator	90980-11009	A54	ABS & BA & TRC & VSC ECU	90980-11637
A15	ABS Speed Sensor Front LH	90980-10941	A55	ABS & BA & TRC & VSC ECU	90980-11638
A16	ABS Speed Sensor Front RH	90980-11002	A56	ADD Control Motor	90980-11024
A17	Accel Position Sensor (1HD-FTE)	90980-11232	A57	A/C Control Assembly	90980-12170
	Accel Position Sensor (2UZ-FE)	90980-11144	A58	A/C Control Assembly	90980-11913
A18	AHC Pump Motor	90980-10928	A59	A/C Control Assembly	90980-11927
A19	Air Cleaner Warning Sensor	90980-11025	A60	A/T Shift Lever Illumination	90980-11911
A20	Air Flow Meter	90980-11317		Shift Lock Control ECU	
A21	Airbag Sensor Front LH	90980-11856	A61	ADD Control Relay	90980-10801
A22	Airbag Sensor Front RH		A62	Airbag Sensor Assembly (w/ Side Airbag)	82824-50150
A23	Alternator (1HZ, 1HD-FTE)	90980-09213		Airbag Sensor Assembly (w/o Side Airbag)	90980-11871
	Alternator (2UZ-FE, 1FZ-FE)	90980-09212	A63	Airbag Sensor Assembly (w/ Side Airbag)	82824-50160
A24	Alternator	90980-11349		Airbag Sensor Assembly (w/o Side Airbag)	90980-11873
A25	Auto Antenna Motor	90980-11194	A64	Auto Wiper ECU	90980-10801
A26	A/C Solar Sensor	90980-11919		Short Connector	
A27	A/C Thermistor	90980-11918	A65	Auto Wiper ECU	90980-12183
A28	ABS Deceleration Sensor	90980-10845	A66	Automatic Light Control Sensor	90980-12056
A29	ABS ECU	90980-11424	A67	Airbag Sensor Assembly	90980-11872
A30	ABS ECU	90980-11391	B 1	Back-Up Light SW (Except 1HZ)	90980-11051
A31	ABS ECU	90980-11390		Back-Up Light SW (1HZ)	90980-11250
A32	Accelerator Pedal SW	90980-10825	B 2	Brake Fluid Level Warning SW	90980-11207
A33	AHC Main Relay	90980-10171	B 3	Blower Motor Controller (LHD, RHD Europe)	90980-10910
A34	Air Inlet Control Servo Motor	90980-11909		Blower Motor Controller (RHD Except Europe)	90980-11667
A35	Air Mix Control Servo Motor (LHD)	90980-10797	B 4	Blower HI Relay	90980-10713
	Air Mix Control Servo Motor (RHD)	90980-11529		B 5	Blower LO Relay
A36	Air Vent Mode Control Servo Motor (LHD)	90980-11165	B 6		Blower ME Relay
	Air Vent Mode Control Servo Motor (RHD)	90980-11321	B 7	Back Door Courtesy SW (Liftgate Type)	90980-10039
A37	Airbag Squib (Front Passenger Airbag Assembly)	90980-12160		Back Door Courtesy SW (Swing Type)	90980-11367
A38	Airbag Squib (Steering Wheel Pad)		B 8	Back Door Key Lock and Unlock SW (Liftgate Type)	90980-11490
A39	Ashtray Illumination	90980-10825		Back Door Key Lock and Unlock SW (Swing Type)	90980-11169
A40	Auto Antenna Control Relay	90980-10819			
A41	A/C Amplifier	90980-11497			
A42	A/C Amplifier	90980-11475			
A43	A/C Amplifier	90980-11502			
A44	A/C Amplifier	90980-10801			

Note: Not all of the above part numbers of the connector are established for the supply.

Code	Part Name	Part Number	Code	Part Name	Part Number
B 9	Back Door Lock Motor and Back Door Unlock Detection SW	90980-11150	D10	Damping Force Control Actuator Front LH	90980-11960
B10	Buckle SW LH	90980-11169	D11	Damping Force Control Actuator Front RH	
B11	Buckle SW RH		D12	Damping Force Control Actuator Rear LH	
B12	Body ECU	90980-12151	D13	Damping Force Control Actuator Rear RH	
B13	Body ECU	90980-12149	D14	Detection SW (Rear Diff. Lock) (Independent Suspension)	90980-11156
B14	Body ECU	90980-12150		Detection SW (Rear Diff. Lock) (Rigid Axle Suspension)	90980-11250
B15	Buckle SW LH	90980-11599	D15	Door Courtesy Light Front LH	90980-11148
	Seat Position Sensor				
B16	Buckle SW RH		D16	Door Courtesy Light Front RH	
	Seat Position Sensor		D17	Door Courtesy Light Rear LH	
C 1	Camshaft Position Sensor	90980-10947	D18	Door Courtesy Light Rear RH	90980-10871
C 2	Center Diff. Lock Control Motor	90980-11024	D19	Door Courtesy SW Front LH	
C 3	Check Connector	90980-11195	D20	Door Courtesy SW Front RH	
C 4	Crankshaft Position Sensor (1FZ-FE)	90980-11016	D21	Door Courtesy SW Rear LH	
	Crankshaft Position Sensor (1HD-FTE)		D22	Door Courtesy SW Rear RH	
	Crankshaft Position Sensor (2UZ-FE)		D23	Door Key Lock and Unlock SW LH	
C 6	CD Automatic Changer (LHD)	90980-10803	D24	Door Key Lock and Unlock SW RH	90980-11170
	CD Automatic Changer (RHD)	90980-12200	D25	Door Lock Motor Front LH	90980-11150
C 8	Center Diff. Lock Control Relay	90980-10801		Door Unlock Detection SW Front LH	
C13	Cigarette Lighter	90980-10760	D26	Door Lock Motor Front RH	
C14	Cigarette Lighter Illumination	90980-11148		Door Unlock Detection SW Front RH	
C15	Combination Meter	82824-60060	D27	Door Lock Motor Rear LH	
C16	Combination Meter	82824-60050		Door Unlock Detection SW Rear LH	
C17	Combination Meter	82824-60060	D28	Door Lock Motor Rear RH	
C18	Combination Meter	82824-60050		Door Unlock Detection SW Rear RH	
C19	Combination SW (LHD, RHD Europe)	90980-11672	D29	Driving Position Memory SW	90980-10601
	Combination SW (RHD Except Europe)	90980-11671	D30	Detection SW (Front Diff. Lock)	90980-11250
C20	Combination SW	90980-12155	D32	Diesel Throttle Position SW	90980-11038
C22	Combination SW	90980-11594	D33	Deceleration Sensor	90980-12080
C23	Cooler Box	90980-11535	D34	Diode (Front Fog No.2)	90980-10637
C24	Cruise Control Clutch SW	90980-10906	D35	Diode (Viscous Heater1)	
C26	Control Valve Assembly	90980-11599	D36	Diode (Viscous Heater2)	
C32	Center Cluster Integration Panel	90980-12200	D37	Double Lock Control Relay	
C33	Combination SW	90980-12183	D38	Door Control Receiver	90980-11909
C35	Curtain Shield Airbag Squib LH	90980-11864	D39	Door Lock Motor Front LH	90980-10890
C36	Curtain Shield Airbag Squib RH				
D 1	Detection SW (Center Diff. Lock)	90980-11250		Door Unlock Detection SW Front LH	
D 2	Detection SW (Transfer L Position)			Double Lock Motor Front LH	
D 3	Detection SW (Transfer Neutral Position)	90980-11025	Double Lock Position SW Front LH	D40	
D 4	Diesel Engine Revolution Sensor	90980-11250	Door Lock Motor Front RH		
D 5	Damping Mode Select SW and Height Control SW	90980-11533	Door Unlock Detection SW Front RH		
D 7	Diode (Front Fog No.1)	90980-10637	Double Lock Motor Front RH		
D 8	DLC3	90980-11665	Double Lock Motor Front RH	D41	
D 9	Door Lock Control SW (LHD)	90980-10797	Double Lock Position SW Front RH		
	Door Lock Control SW (RHD)	90980-10996	Door Lock Motor Rear LH	90980-10891	
			Door Unlock Detection SW Rear LH		
			Double Lock Motor Rear LH		
			Double Lock Position SW Rear LH		

G PART NUMBER OF CONNECTORS

Code	Part Name	Part Number	Code	Part Name	Part Number
D42	Door Lock Motor Rear RH	90980-10891	E19	Engine and ECT ECU (1HD-FTE Europe)	90980-11392
	Door Unlock Detection SW Rear RH			Engine and ECT ECU (1HD-FTE Except Europe)	90980-12142
	Double Lock Motor Rear RH			Engine ECU (1HD-FTE Europe)	90980-11392
	Double Lock Position SW Rear RH			Engine ECU (1HD-FTE Except Europe)	90980-12142
E1	ECT Solenoid (1FZ-FE)	90980-10854	E20	Engine and ECT ECU	90980-11129
	ECT Solenoid (1HD-FTE Europe)	90980-10891		Engine ECU	
	ECT Solenoid (2UZ-FE, 1HD-FTE Except Europe)	90980-12293	E21	Emission Control ECU	90980-11390
E2	EFI Water Temp. Sensor (1FZ-FE, 1HD-FTE)	90980-10737	E22	Emission Control ECU	90980-11391
	EFI Water Temp. Sensor (2UZ-FE)	90980-10736	F1	First Striction SW	90980-10923
E3	Engine Hood Courtesy SW	90980-11003	F2	Fluid Pressure Sensor	90980-11451
E4	ECT ECU	90980-11424	F3	Front Clearance Light LH	90980-11156
E5	ECT ECU	90980-11392	F4	Front Clearance Light RH	
E6	ECT Pattern Select SW	90980-10933	F5	Front Fog Light LH	90980-11660
			F6	Front Fog Light RH	
E7	Engine and ECT ECU	90980-12144	F7	Front Side Turn Signal Light LH	90980-11162
	Engine ECU		F8	Front Side Turn Signal Light RH	
E8	Engine and ECT ECU	90980-12145	F9	Front Turn Signal Light LH	90980-11019
	Engine ECU		F10	Front Turn Signal Light RH	
E9	Engine and ECT ECU	90980-12143	F11	Front Wiper Motor	90980-11599
	Engine ECU		F12	Fuel Cut Valve Controller	90980-11349
E10	Engine and ECT ECU	90980-12146	F13	Fuel Heater SW	90980-10928
	Engine ECU		F14	Fuel Pump Resistor	90980-11156
E11	Engine and ECT ECU	90980-12142	F15	Fuel Sediment SW	90980-11003
	Engine ECU		F16	Fuel Temp. Sensor	90980-10737
E12	Engine and ECT ECU	90980-11391	F17	Fusible Link Block	82675-60050
	Engine ECU		F19	Front Blower Motor	90980-10903
E13	Engine and ECT ECU	90980-11390	F20	Front Blower Resistor (LHD)	90980-10910
	Engine ECU			Front Blower Resistor (RHD)	90980-11136
E14	Engine and ECT ECU	90980-11392	F21	Front/Rear Diff. Lock Control SW	90980-10631
	Engine ECU		F22	Fuel Tank Changeover SW	90980-10933
E15	EDU	90980-11024	F23	Front Door Speaker LH	90980-10935
E16	Engine and ECT ECU (1HD-FTE Europe)	90980-11391	F24	Front Door Speaker RH	
	Engine and ECT ECU (1HD-FTE Except Europe)	90980-12144	F25	Front Interior Light	
	Engine ECU (1HD-FTE Europe)	90980-11391	F26	Front Personal Light	90980-10825
	Engine ECU (1HD-FTE Except Europe)	90980-12144	F27	Front/Rear Diff. Lock Control ECU	90980-10848
E17	Engine and ECT ECU (1HD-FTE Europe)	90980-11390	F28	Fuel Pump	90980-11077
	Engine and ECT ECU (1HD-FTE Except Europe)	90980-12145		Fuel Sender	
	Engine ECU (1HD-FTE Europe)	90980-11390	F30	Fuel Pump Select Relay	90980-10173
	Engine ECU (1HD-FTE Except Europe)	90980-12145	F31	Fuel Solenoid Valve 1	90980-10901
E18	Engine and ECT ECU (1HD-FTE Europe)	90980-11408	F32	Fuel Solenoid Valve 2	
	Engine and ECT ECU (1HD-FTE Except Europe)	90980-12146	F33	Front Diff. Lock Motor	90980-11290
	Engine ECU (1HD-FTE Europe)	90980-11408	F35	Fuel Pump Resistor LH	90980-11156
	Engine ECU (1HD-FTE Except Europe)	90980-12146	F36	Fuel Pump Resistor RH	
			F37	Fusible Link Block	90980-11996

Note: Not all of the above part numbers of the connector are established for the supply.

Code	Part Name	Part Number	Code	Part Name	Part Number	
F38	Fusible Link Block	90980-11881	I13	Injector No.4	90980-11153	
F39	Fusible Link Block	90980-11775	I14	Injector No.5		
F40	Fusible Link Block	90980-10995	I15	Injector No.6		
G 1	Glow Plug	99141-13004	I16	Injector No.7		
G 2	Glow Plug Relay	90980-11569	I17	Injector No.8		
G 3	Glove Box Light	90980-11098	I18	Intake Air Temp. Sensor (1FZ-FE)		90980-11163
G 4	Gateway ECU	90980-11911		Intake Air Temp. Sensor (1HD-FTE)		90980-11025
H 1	Headlight Beam Level Control Actuator LH	90980-11016	I19	Intake Heater		99141-14006
H 2	Headlight Beam Level Control Actuator RH		I20	Intake Heater Relay	90980-11248	
H 3	Headlight Cleaner Control Relay	90980-10939	I21	Intake Heater Relay	99141-14006	
H 4	Headlight Cleaner Motor	90980-11410	I22	Intake Heater Relay		
H 5	Headlight Control ECU LH	90980-11255	I23	ISC Valve	90980-11145	
H 6	Headlight Control ECU RH		I24	Idle-Up SW	90980-10933	
H 7	Headlight LH (High)	90980-11659	I26	Ignition SW	90980-11615	
H 8	Headlight RH (High)		I30	Inner Mirror	90980-11186	
H 9	Headlight LH (Low)	90980-11660	J 1	Junction Connector	90980-11915	
H10	Headlight RH (Low)		J 2	Junction Connector		
H11	Heated Oxygen Sensor (Bank 1 Sensor 1)	90980-10869	J 3	Junction Connector		
H12	Heated Oxygen Sensor (Bank 1 Sensor 2)	90980-11028	J 4	Junction Connector		
H13	Heated Oxygen Sensor (Bank 2 Sensor 1)	90980-10869	J 5	Junction Connector	90980-11398	
H14	Heated Oxygen Sensor (Bank 2 Sensor 2)	90980-11028	J 6	Junction Connector	90980-11927	
H15	Height Control Sensor Front LH	90980-11015	J 7	Junction Connector		
H16	Height Control Sensor Front RH		J 8	Junction Connector		
H17	Horn LH	90980-10619	J 9	Junction Connector	90980-11661	
H18	Horn RH		J10	Junction Connector		
H19	Headlight Beam Level Control SW	90980-10996	J11	Junction Connector	90980-10803	
H20	Height Control Sensor Rear	90980-11143	J12	Junction Connector		
H21	High Mounted Stop Light (Liftgate Type)	90980-11211	J13	Junction Connector		
	High Mounted Stop Light (Swing Type)	90980-10825	J14	Junction Connector		
H22	Heated Oxygen Sensor	90980-11028	J15	Junction Connector	90980-11398	
H23	Headlight Cleaner SW	90980-12063	J16	Junction Connector		
I 1	Ignition Coil and Igniter No.1 (1FZ-FE)	90980-11150	J17	Junction Connector		
	Ignition Coil and Igniter No.1 (2UZ-FE)	90980-11885	J18	Junction Connector		
I 2	Ignition Coil and Igniter No.2 (1FZ-FE)	90980-11150	J19	Junction Connector		90980-11927
	Ignition Coil and Igniter No.2 (2UZ-FE)	90980-11885	J20	Junction Connector		
I 3	Ignition Coil and Igniter No.3 (1FZ-FE)	90980-11150	J21	Junction Connector		90980-11742
	Ignition Coil and Igniter No.3 (2UZ-FE)	90980-11885	J22	Junction Connector		
I 4	Ignition Coil and Igniter No.4	90980-11885	J24	Junction Connector	90980-11927	
I 5	Ignition Coil and Igniter No.5		J25	Junction Connector		
I 6	Ignition Coil and Igniter No.6		J26	Junction Connector		
I 7	Ignition Coil and Igniter No.7		J27	Junction Connector		
I 8	Ignition Coil and Igniter No.8		J28	Junction Connector		
I 9	Injection Pump		90980-11028	J29	Junction Connector	90980-11925
I10	Injector No.1		J30	Junction Connector		
I11	Injector No.2		90980-11153	J31	Junction Connector	90980-11915
I12	Injector No.3	J32		Junction Connector		

G PART NUMBER OF CONNECTORS

Code	Part Name	Part Number	Code	Part Name	Part Number	
K 1	Knock Sensor 1	90980-11166	P17	Power Window Motor Front LH	90980-11599	
K 2	Knock Sensor 2		P18	Power Window Motor Front RH		
L 1	License Plate Light	90980-11159	P19	Power Window Motor Rear LH		
L 2	License Plate Light LH	90980-11148	P20	Power Window Motor Rear RH		
L 3	License Plate Light RH		P21	Pretensioner LH	90980-11862	
L 4	Lumbar Support Control SW (Driver's Seat)	90980-10601	P22	Pretensioner RH		
L 5	License Plate Light No.1	90980-11159	P23	Power Seat Control SW (Driver's Seat) (w/ Driving Position Memory)	90980-11909	
L 6	License Plate Light No.2	90980-10871		Power Seat Control SW (Driver's Seat) (w/o Driving Position Memory)	90980-10803	
M 1	Moon Roof Control ECU	90980-10997	P24	Power Seat Control SW (Front Passenger's Seat)	90980-10803	
M 2	Moon Roof Control SW	90980-10789				
M 3	Master Cylinder Pressure Sensor	90980-11451	P27	Power Seat Motor (Driver's Seat Front Vertical Control)	90980-10825	
M 4	Multi-Display (w/ Navigation System)	90980-11911		Power Seat Motor (Driver's Seat Lumbar Support Control)		
	Multi-Display (w/o Navigation System)	90980-12094	P28	Power Seat Motor (Driver's Seat Reclining Control)		
M 5	Multi-Display	90980-11923		P29		Power Seat Motor (Driver's Seat Reclining Control)
M 6	Multi-Display	90980-10799	P30			Power Seat Motor (Driver's Seat Reclining Control)
N 1	A/T Indicator Light SW (1HD-FTE 4AT, 1FZ-FE LHD)	90980-11332		P31		Power Seat Motor (Driver's Seat Slide Control)
	A/T Indicator Light SW (2UZ-FE, 1HD-FTE 5A/T)	90980-11784	P32			Power Seat Motor (Front Passenger's Seat Front Vertical Control)
	Neutral Start SW (1HD-FTE 4AT, 1FZ-FE LHD)	90980-11332		P33		Power Seat Motor (Front Passenger's Seat Rear Vertical Control)
	Neutral Start SW (2UZ-FE, 1HD-FTE 5A/T)	90980-11784	P34			Power Seat Motor (Front Passenger's Seat Reclining Control)
N 2	Noise Filter (Ignition)	90980-10843		P35		Power Seat Motor (Front Passenger's Seat Slide Control)
N 4	Navigation ECU	90980-11973	R 2		Radio and Player	90980-10997
N 5	Navigation ECU	90980-11923	R 3	Radio and Player	90980-10803	
N 6	Noise Filter (ABS)	90980-10983	R 4	Radio and Player	90980-10996	
N 7	Navigation ECU	90980-12221	R 6	Rear Diff. Lock Control ECU	90980-10801	
O 2	O/D Main SW	90980-11606	R 7	Rear Fog Light SW	90980-12113	
O 3	Oil Level Sensor (1FZ-FE)	90980-11235	R 9	Remote Control Mirror SW	90980-11657	
	Oil Level Sensor (1HZ, 1HD-FTE)	90980-10532	R 10	Remote Control Mirror SW	90980-11319	
	Oil Level Sensor (2UZ-FE)		R 11	Rheostat (Except Optitron Meter)	90980-10908	
O 4	Oil Pressure Sender (1HZ, 1HD-FTE)	90980-10703	R 11	Rheostat (Optitron Meter)	90980-10799	
	Oil Pressure Sender (2UZ-FE, 1FZ-FE)	90980-11363	R 12	Room Temp. Sensor (Front)	90980-11918	
O 5	Overhead J/B	90980-11909	R 13	Rear A/C Control SW (Rear Automatic A/C)	90980-11503	
O 6	Overhead J/B	90980-12155		Rear A/C Control SW (Rear Manual A/C)	90980-10878	
P 1	Pick-Up Sensor	90980-11157	R 14	Rear Air Mix Control Servo Motor	90980-11319	
P 2	Power Steering Oil Pressure SW	90980-11428	R 15	Rear Combination Light LH	90980-11587	
P 3	Power Outlet (Front)	90980-10760	R 16	Rear Combination Light LH (w/ Rear Fog Light)	90980-10825	
P 6	Pre-Heating Timer	90980-10803		Rear Combination Light LH (w/ Rear Fog Light)	90980-10908	
P 7	Parking Brake SW	90980-10871		R 17	Rear Combination Light RH	90980-11587
P 8	Power Outlet (Luggage Compartment)	90980-10860				
P 11	Power Window Control SW Front LH	90980-11947				
P 12	Power Window Control SW Front RH					
P 13	Power Window Control SW Rear LH					
P 14	Power Window Control SW Rear RH					
P 15	Power Window Master SW	90980-12166				

Note: Not all of the above part numbers of the connector are established for the supply.

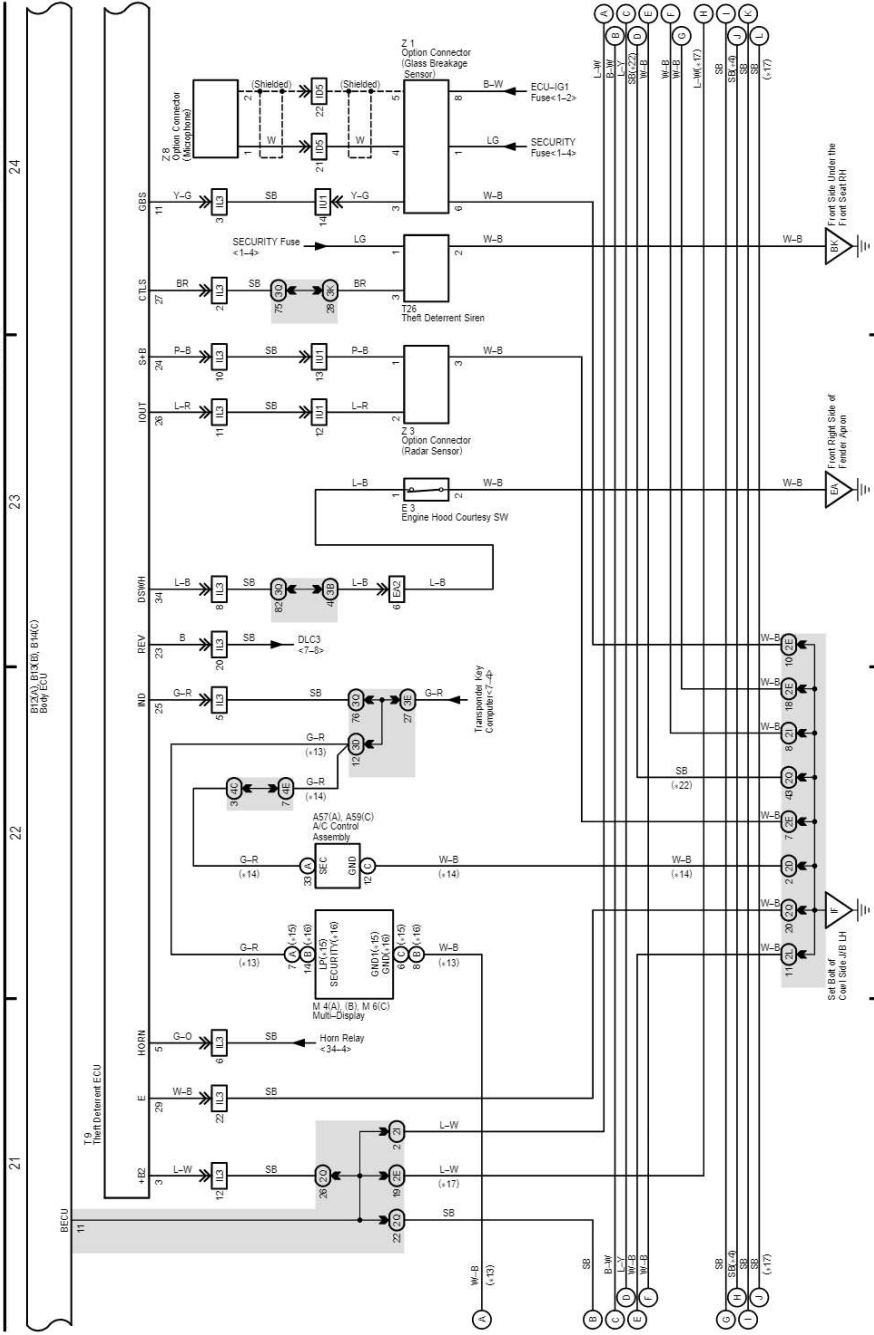
Code	Part Name	Part Number	Code	Part Name	Part Number
R18	Rear Combination Light RH (w/ Rear Fog Light)	90980-10825	R61	Roll Sensing of Curtain Shield Airbags Cutoff SW	90980-10957
	Rear Combination Light RH (w/ Rear Fog Light)	90980-10908	S 1	Speed Sensor (Combination Meter)	90980-11143
R19	Rear Cooler Blower Motor	90980-10214	S 2	Speed Sensor (ECT)	90980-11156
R20	Rear Cooler Magnetic Valve	90980-10860	S 3	Spill Valve	90980-11155
R21	Rear Cooler Power Transistor	90980-10171	S 4	Starter (1FZ-FE)	90980-09506
R22	Rear Cooler Relay	90980-10175		Starter (1HZ,1HD-FTE)	90980-09508
				Starter (2UZ-FE)	90980-09585
R23	Rear Diff. Lock Motor (Independent Suspension)	90980-11194	S 5	Starter (1HZ, 1HD-FTE)	90980-11184
	Rear Diff. Lock Motor (Rigid Axle Suspension)	90980-11290		Starter (2UZ-FE, 1FZ-FE)	90980-11400
R24	Rear Door Speaker LH	90980-10935	S 6	Stop Light SW	90980-11118
R25	Rear Door Speaker RH		S 7	Suspension Control ECU	90980-11424
R26	Rear Evaporator Temp. Sensor	90980-11918	S 8	Suspension Control ECU	90980-11391
R27	Rear Heater Blower Motor	90980-10860	S 9	Suspension Control ECU	90980-11390
R28	Rear Heater Blower Resistor	90980-10916	S10	Seat Heater SW (Driver's Seat) (LHD)	90980-10797
R29	Rear Heater Control SW	90980-10797		Seat Heater SW (Driver's Seat) (RHD)	90980-10996
R30	Rear Heater Power Transistor	90980-10171	S11	Seat Heater SW (Front Passenger's Seat) (LHD)	90980-10996
R31	Rear Heater Relay			Seat Heater SW (Front Passenger's Seat) (RHD)	90980-10797
R32	Rear Inlet Air Temp. Sensor	90980-11369	S14	Sub Fuel Pump	90980-11038
R34	Rear Interior Light	90980-10935	S15	Sub Fuel Pump Forcing Driving Relay	90980-10171
	Rear Personal Light (w/ Moon Roof)	90980-12211	S16	Sub Fuel Sender	90980-11016
R35	Rear Personal Light (w/o Moon Roof)	90980-10365	S17	Seat Belt Warning Occupant Detection Sensor	90980-10860
	Rear Window Defogger	90980-11097		S18	Seat Heater (Driver's Seat)
R36	Rear Window Defogger		S19	Seat Heater (Front Passenger's Seat)	
R37	Rear Window Defogger LH	90980-10792	S20	Swirl Control Valve	90980-11156
R38	Rear Window Defogger LH		S21	Side Airbag Sensor Front LH	90980-12225
R39	Rear Window Defogger RH		S22	Side Airbag Sensor Front RH	
R40	Rear Window Defogger RH		S23	Side Airbag Sensor Rear LH	
R41	Rear Wiper Motor	90980-10795	S24	Side Airbag Sensor Rear RH	
R42	Rear Wiper Motor LH		S25	Stereo Component Amplifier	90980-10848
R43	Rear Wiper Motor RH		S26	Stereo Component Amplifier	90980-11877
R44	Rear Wiper Relay (Liftgate Type)	90980-10797	S27	Seat Heater (Driver's Seat Cushion)	90980-10794
	Rear Wiper Relay (Swing Type)	90980-10801	S28	Seat Heater (Front Passenger's Seat Cushion)	
R47	Remote Control Mirror ECU	90980-11877	S29	Seat Position Sensor	90980-12195
R48	Remote Control Mirror LH	90980-11573	S30	Side Airbag Squib LH	90980-11864
R49	Remote Control Mirror RH		S31	Side Airbag Squib RH	
R50	Room Temp. Sensor (Rear)	90980-11918	S32	Seat ECU	90980-10801
R53	Radio and Player	90980-12038	T 1	Temp. Sensor (AHC)	90980-10737
R54	Radio and Player	90980-12259	T 2	Theft Deterrent Horn	90980-10619
R55	Radio and Player	90980-12183	T 3	Throttle Control Motor	90980-11144
R56	Rear Diff. Lock Control SW	90980-10631	T 4	Throttle Position Sensor	90980-11261
R57	Rear Seat Audio Controller	90980-12200	T 5	Timing Control Valve	90980-11285
R58	Rain Sensor	90980-12263	T 6	Turbo Pressure Sensor	90980-10845
R59	Rear Cooler Blower Resistor	90980-10171			
R60	Rear Fog Light	90980-10860			

G PART NUMBER OF CONNECTORS

Code	Part Name	Part Number	Code	Part Name	Part Number
T 8	Telescopic Motor	90980-10799	W11	Winch Motor and Magnetic SW	90980-09552
T 9	Theft Deterrent ECU	90980-12169	W13	Woofers (Speaker)	90980-10795
T11	Tilt and Telescopic ECU	90980-10799	Z 1	Option Connector (Glass Breakage Sensor)	90980-10799
T12	Tilt and Telescopic ECU	90980-10848	Z 2	Option Connector (Hand Set)	90980-10798
T13	Tilt Motor	90980-10799	Z 3	Option Connector (Radar Sensor)	90980-11013
T14	Ignition Key Cylinder Light	90980-12092	Z 4	Option Connector (Celular Mobile Telephone)	90980-11910
	Transponder Key Amplifier				
T15	Transponder Key Computer (1HZ)	90980-12183	Z 5	Option Connector (Celular Mobile Telephone)	90980-11912
	Transponder Key Computer (2UZ-FE, 1FZ-FE, 1HD-FTE)	90980-11911			
T16	Turn Signal Flasher	90980-10799	Z 6	Option Connector (Celular Mobile Telephone)	90980-11001
T17	Tire Carrier Courtesy SW	90980-10870			
T19	Tweeter LH	90980-11300	Z 7	Option Connector (Celular Mobile Telephone)	90980-10998
T20	Tweeter RH				
T22	TVSS ECU	90980-10803	Z 8	Option Connector (Microphone)	90980-11368
T23	Throttle Control Motor and Sensor	90980-11858	Z 9	Option Connector (Trailer Towing)	90980-10988
T24	Throttle Position Sensor and Timing Control Valve	90980-11599	Z10	Option Connector (Wireless Door Lock Buzzer)	90980-11051
T25	Turbine Speed Sensor	90980-11156			
T26	Theft Deterrent Siren	90980-11349			
U 1	Unlock Warning SW	90980-10860			
V 1	Vacuum Sensor	90980-10845			
V 2	Vacuum SW	90980-11252			
V 3	Variable Resistor	90980-10902			
V 4	Viscous Heater Magnetic Clutch	90980-11271			
V 6	VRV (EGR)	90980-11162			
V 7	VSV (A/C Idle-UP)	90980-11156			
V 8	VSV (EGR Cut)	90980-11149			
V 9	VSV (EVAP)	90980-11156			
V10	VSV (Fully Closed)				
V11	VSV (Turbo Pressure Sensor)				
V12	Viscous Heater Amplifier	90980-10801			
V13	VSC Warning Buzzer	90980-10906			
V14	VRV (EGR No.2)	90980-11162			
V15	VSV (BACS)	90980-10572			
V16	VGRS ECU	90980-12120			
V17	VGRS ECU	90980-11915			
V18	Vanity Light LH	90980-11186			
V19	Vanity Light RH				
W 2	Washer Motor	90980-11294			
W 3	Water Temp. Sender	90980-11428			
W 4	Water Temp. Sensor (Glow Plug)	90980-10737			
W 5	Water Temp. SW (A/C)	90980-10184			
W 7	Winch Main Relay	90980-10887			
W 8	Winch Main Relay	-			
W 9	Winch Main Relay				
W10	Winch Motor and Magnetic SW		90980-10887		

Note: Not all of the above part numbers of the connector are established for the supply.

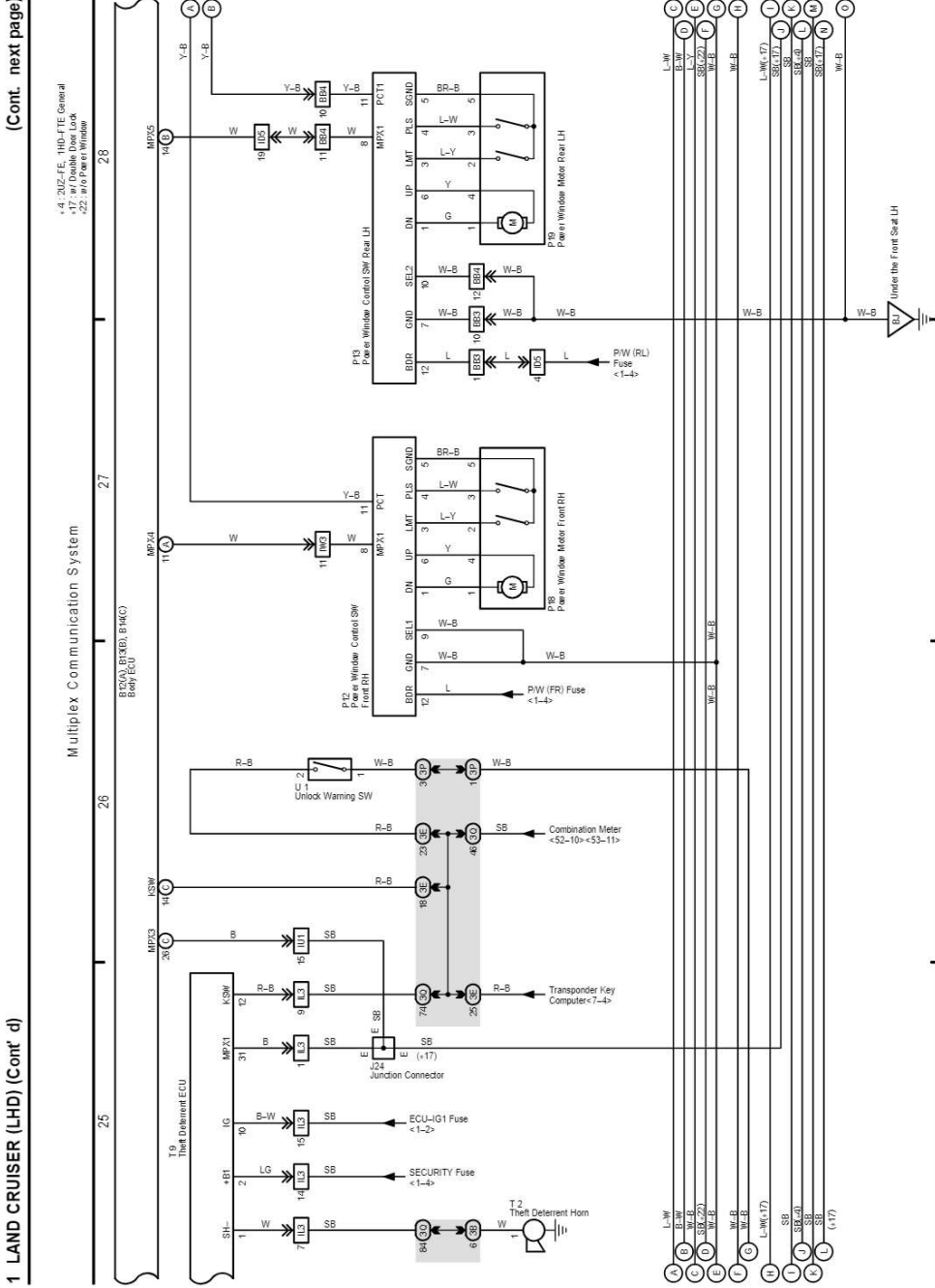
Multiplex Communication System



LAND CRUISER Station Wagon (EWD512E)

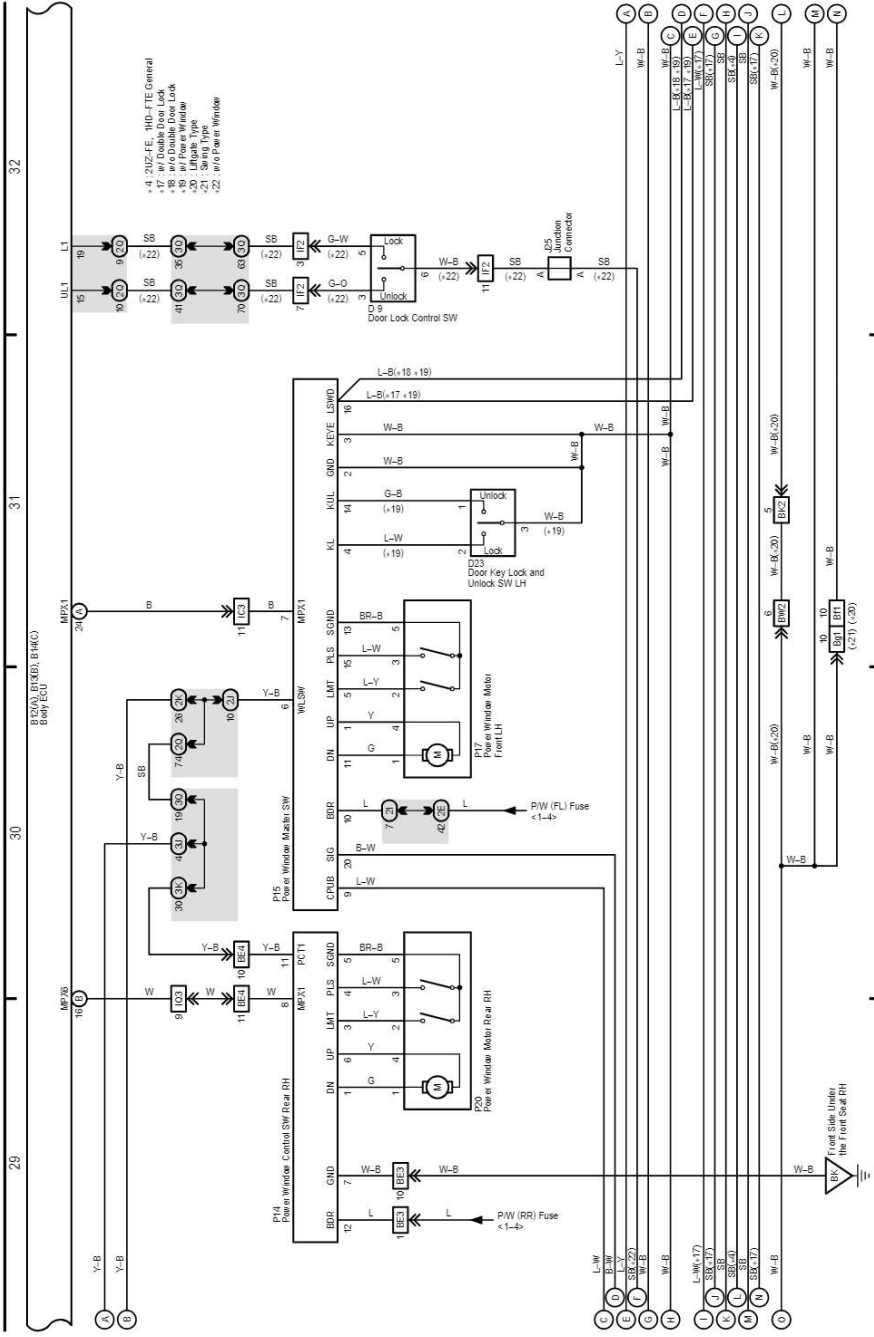
cardiagn.com

H OVERALL ELECTRICAL WIRING DIAGRAM



cardiagn.com

Multiplex Communication System

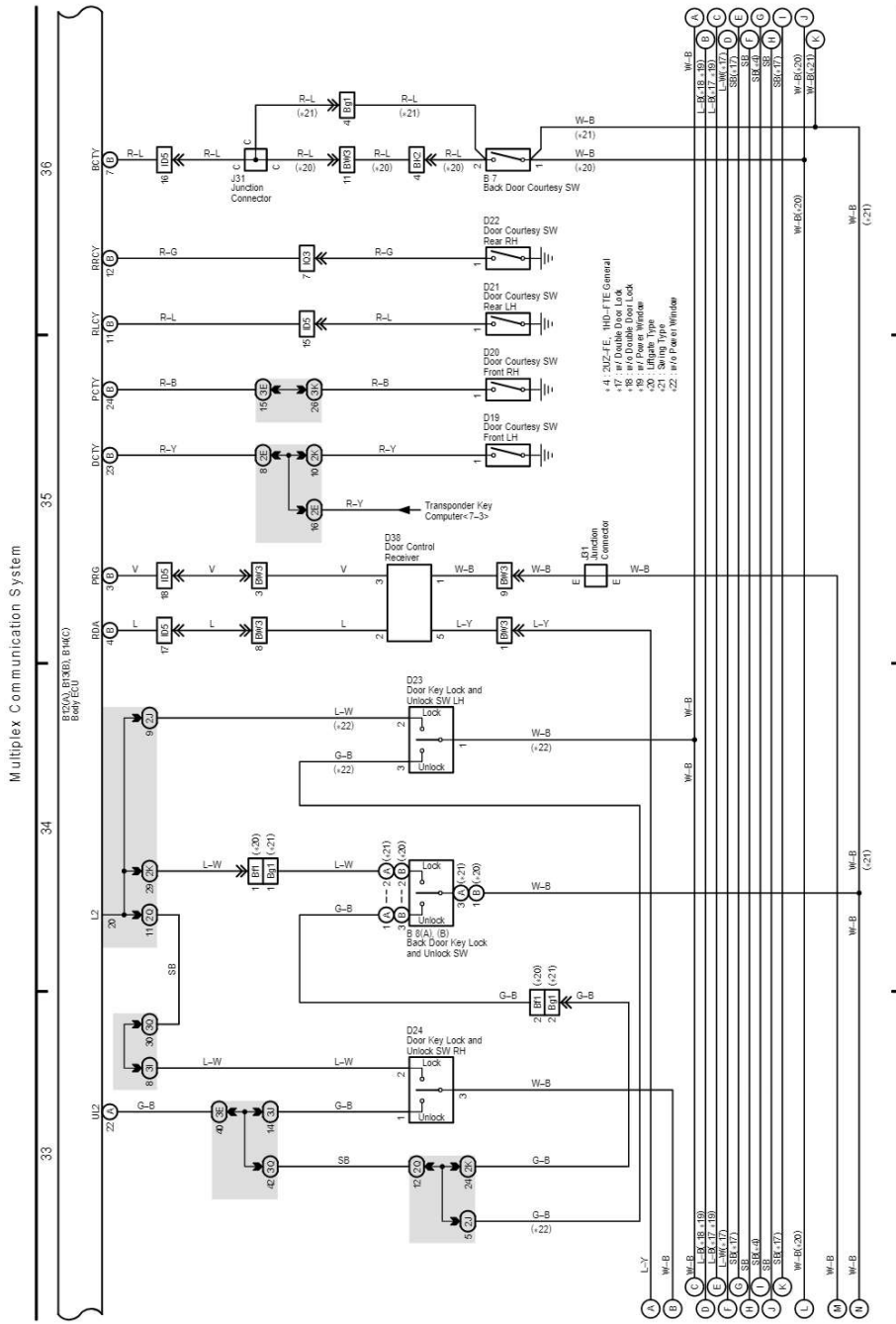


LAND CRUISER Station Wagon (EWD512E)

H OVERALL ELECTRICAL WIRING DIAGRAM

(Cont. next page)

1 LAND CRUISER (LHD) (Cont'd)



cardiagn.com

H OVERALL ELECTRICAL WIRING DIAGRAM

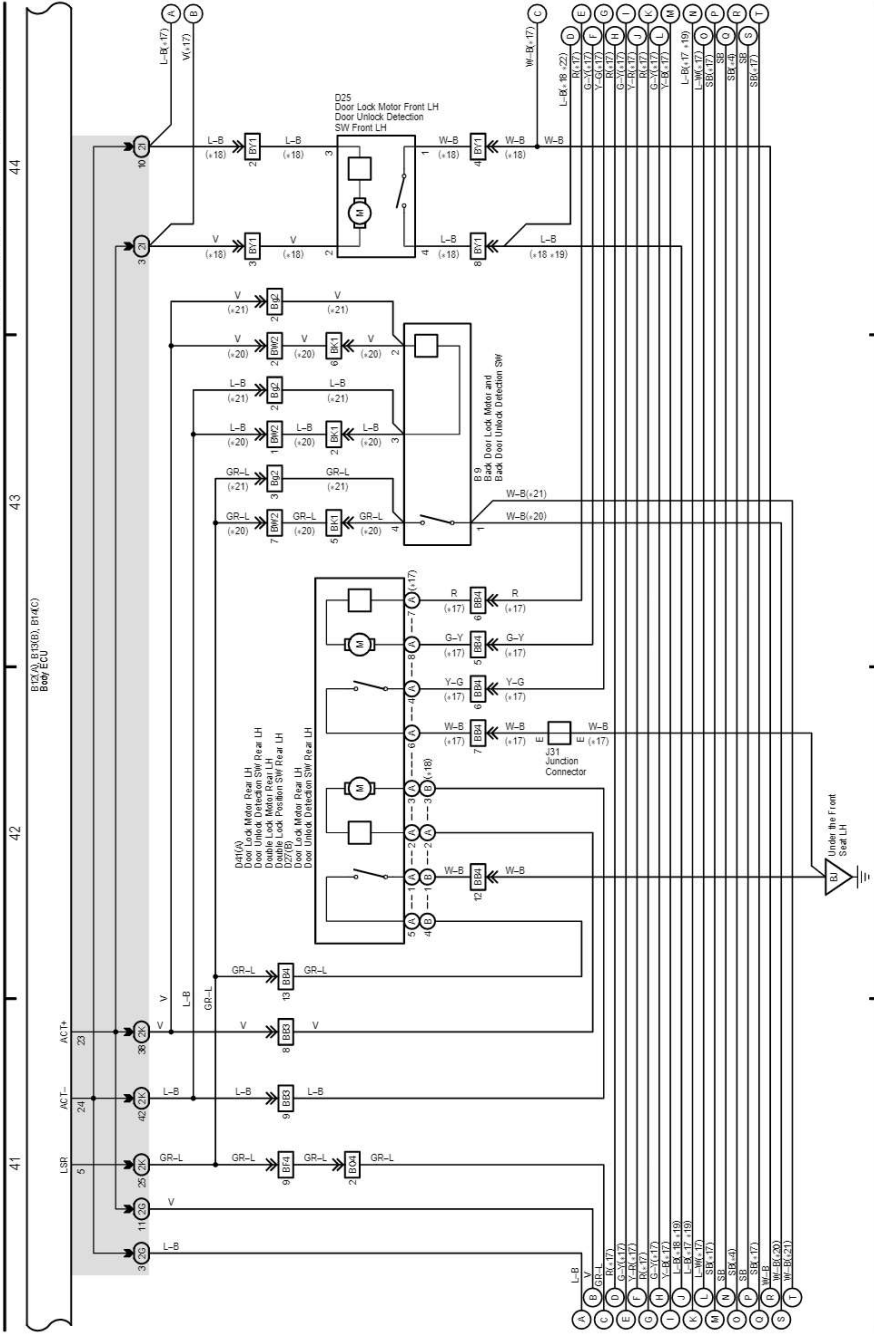
1 LAND CRUISER (LHD) (Cont'd)

(Cont. next page)

- *19: w/ Power Windows
- *20: Luggage Type
- *21: Single Type
- *22: w/ Power Mirror

- *4: 2UZ-FE, 1HD-FT General
- *17: w/ Double Door Lock
- *18: w/ Double Door Lock

Multiplex Communication System



cardiagn.com

- *4. 20JZ-FE, 10D-TFE General
- *18. #16 Double Door Lock
- *19. #17 Power Window
- *22. #18 Power Window

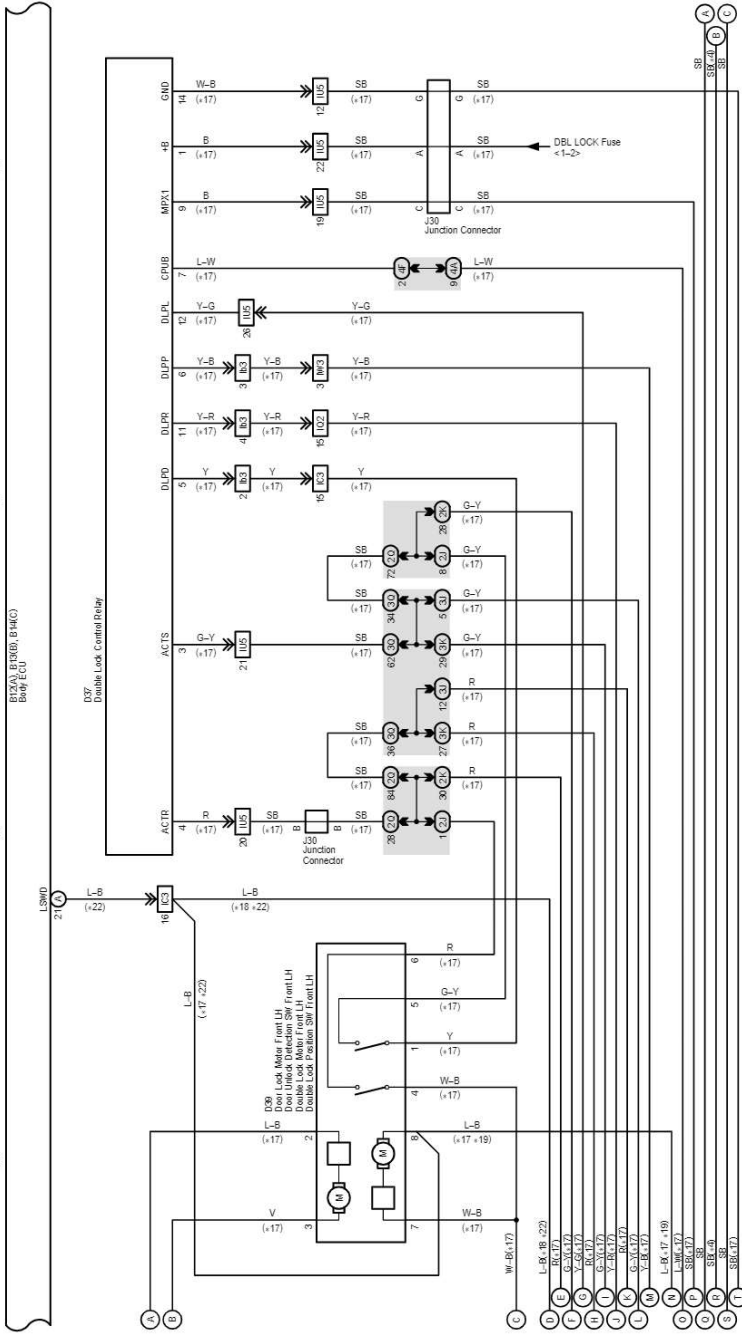
Multiplex Communication System

45

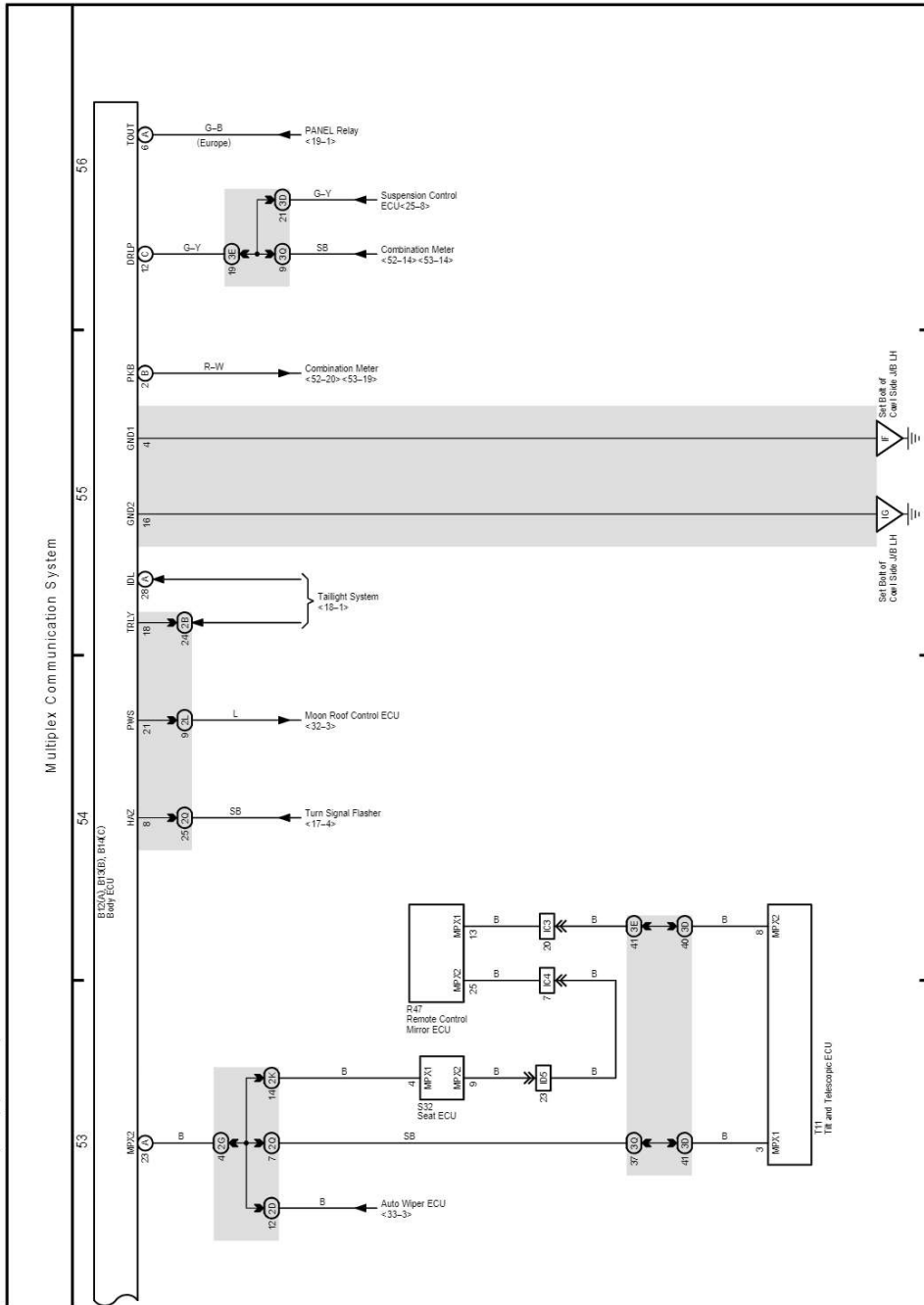
46

47

48

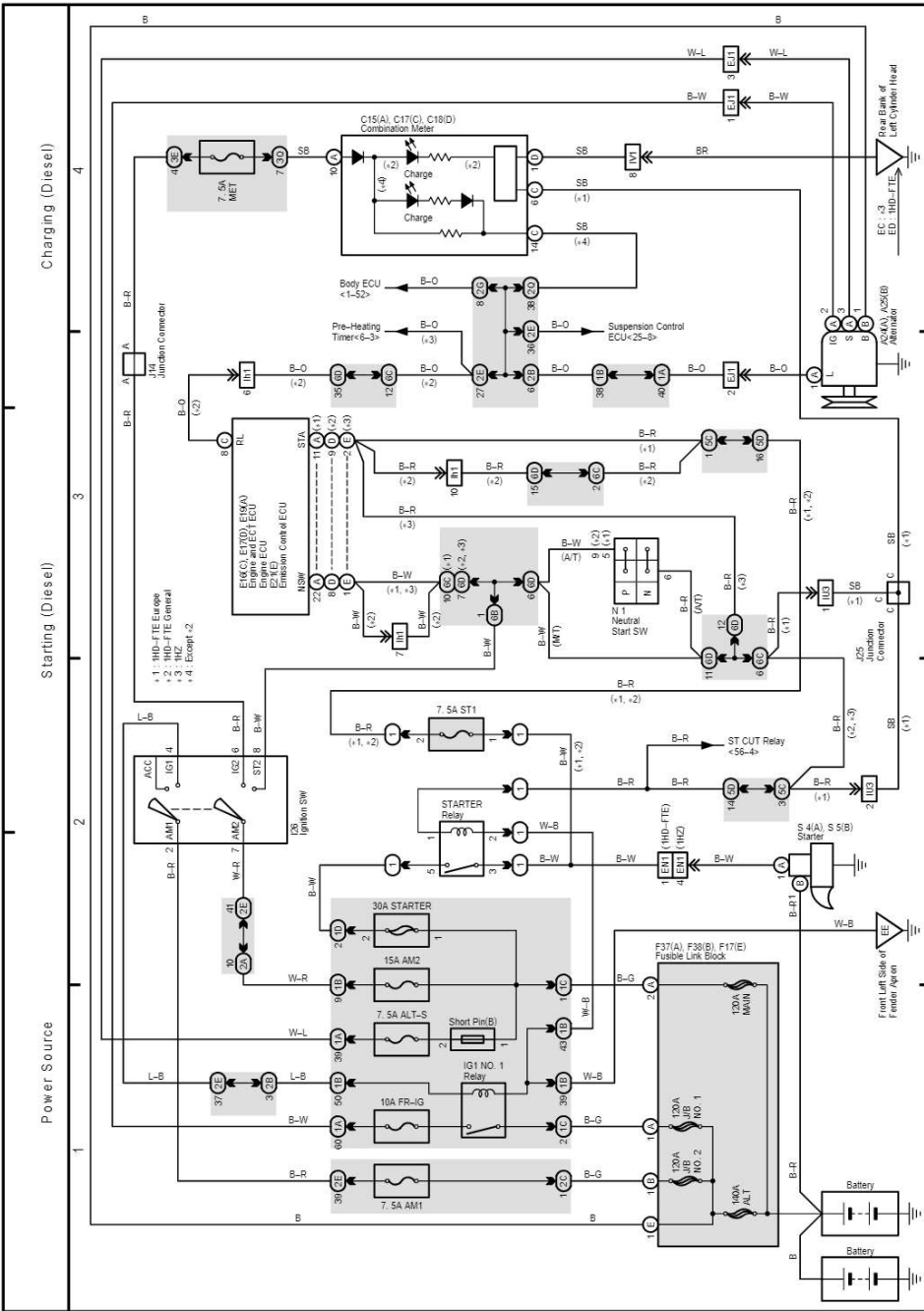


cardiagn.com



cardiagn.com

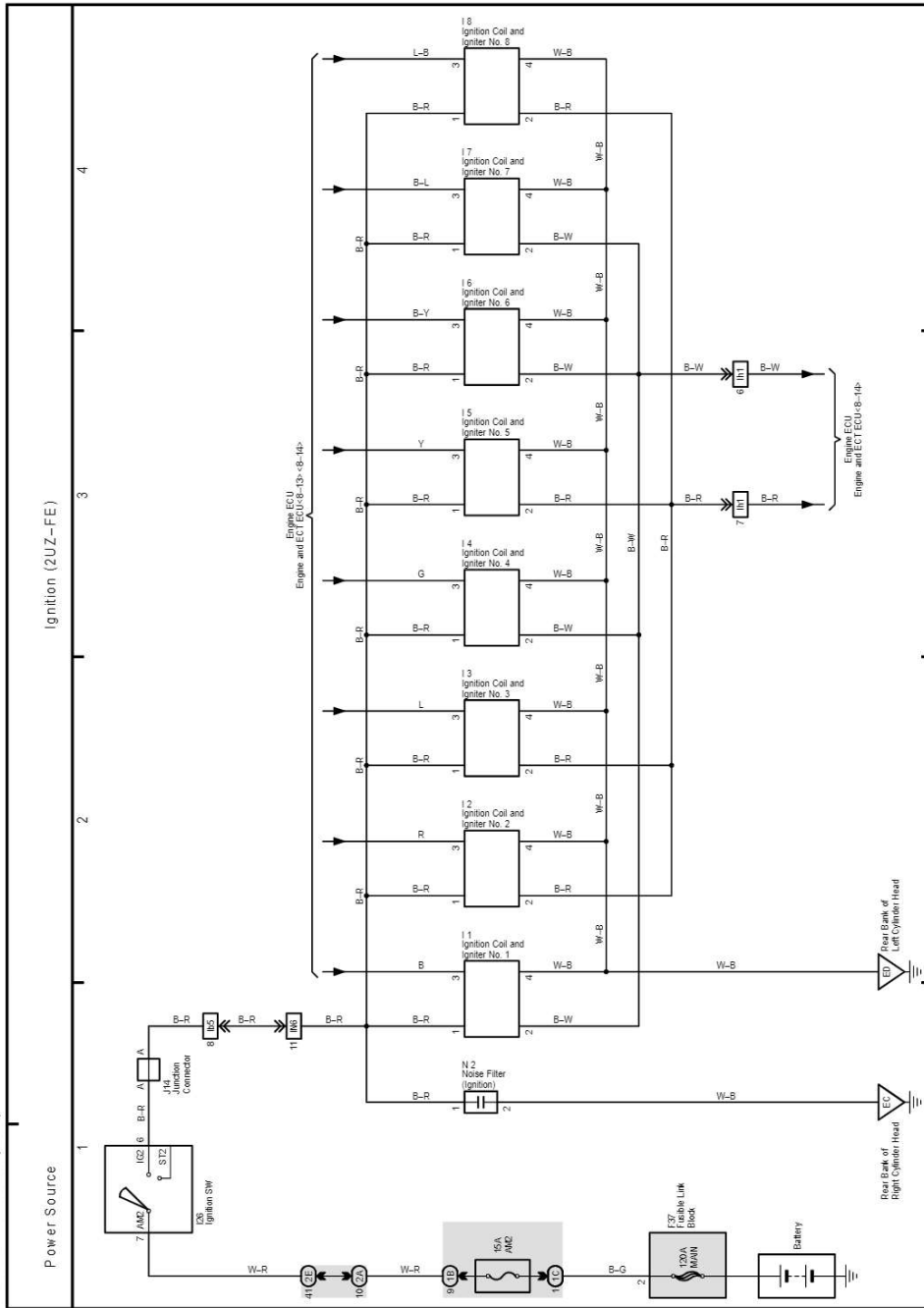
LAND CRUISER Station Wagon (EWD512E)



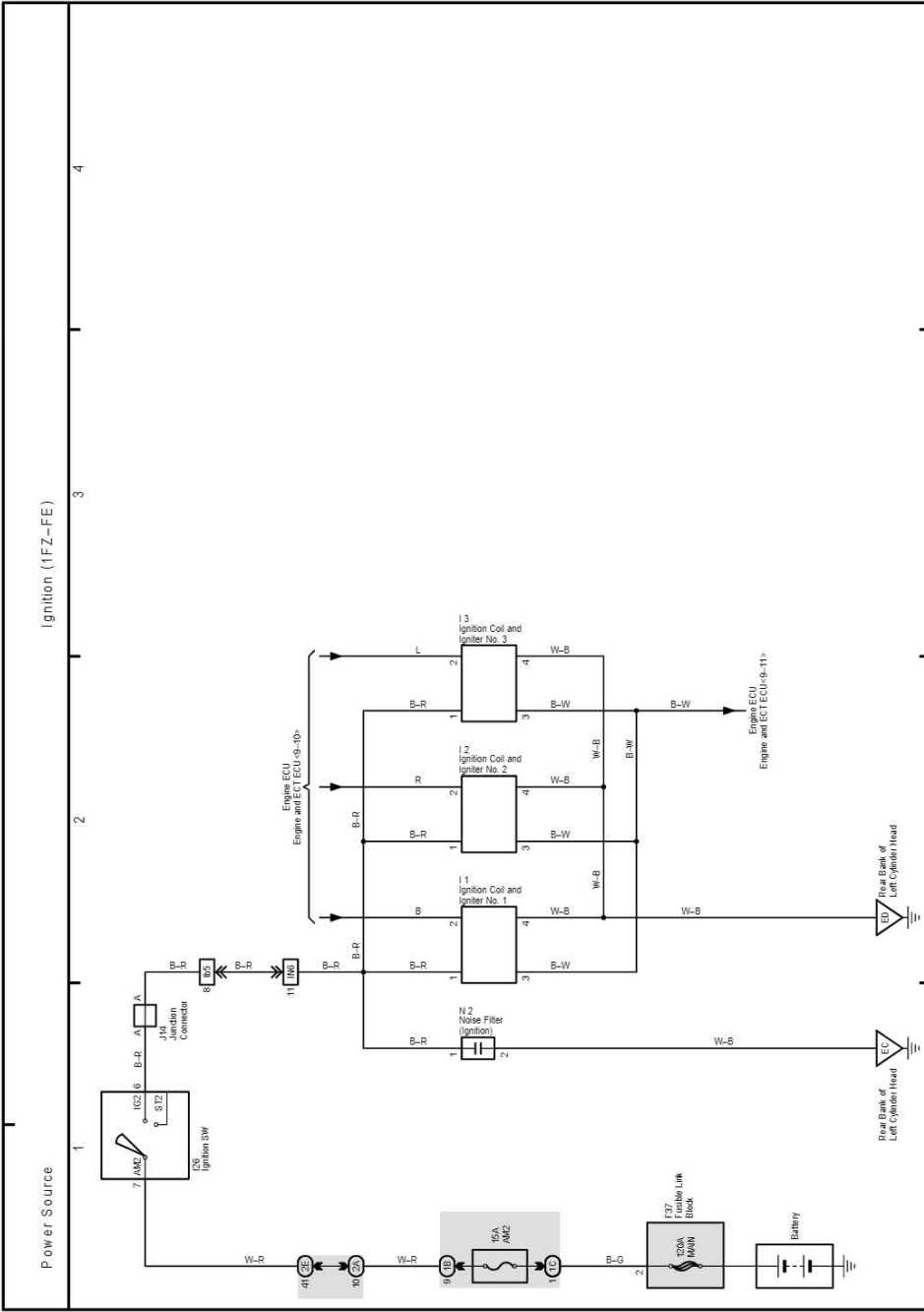
LAND CRUISER Station Wagon (EWD512E)

H OVERALL ELECTRICAL WIRING DIAGRAM

4 LAND CRUISER (LHD)



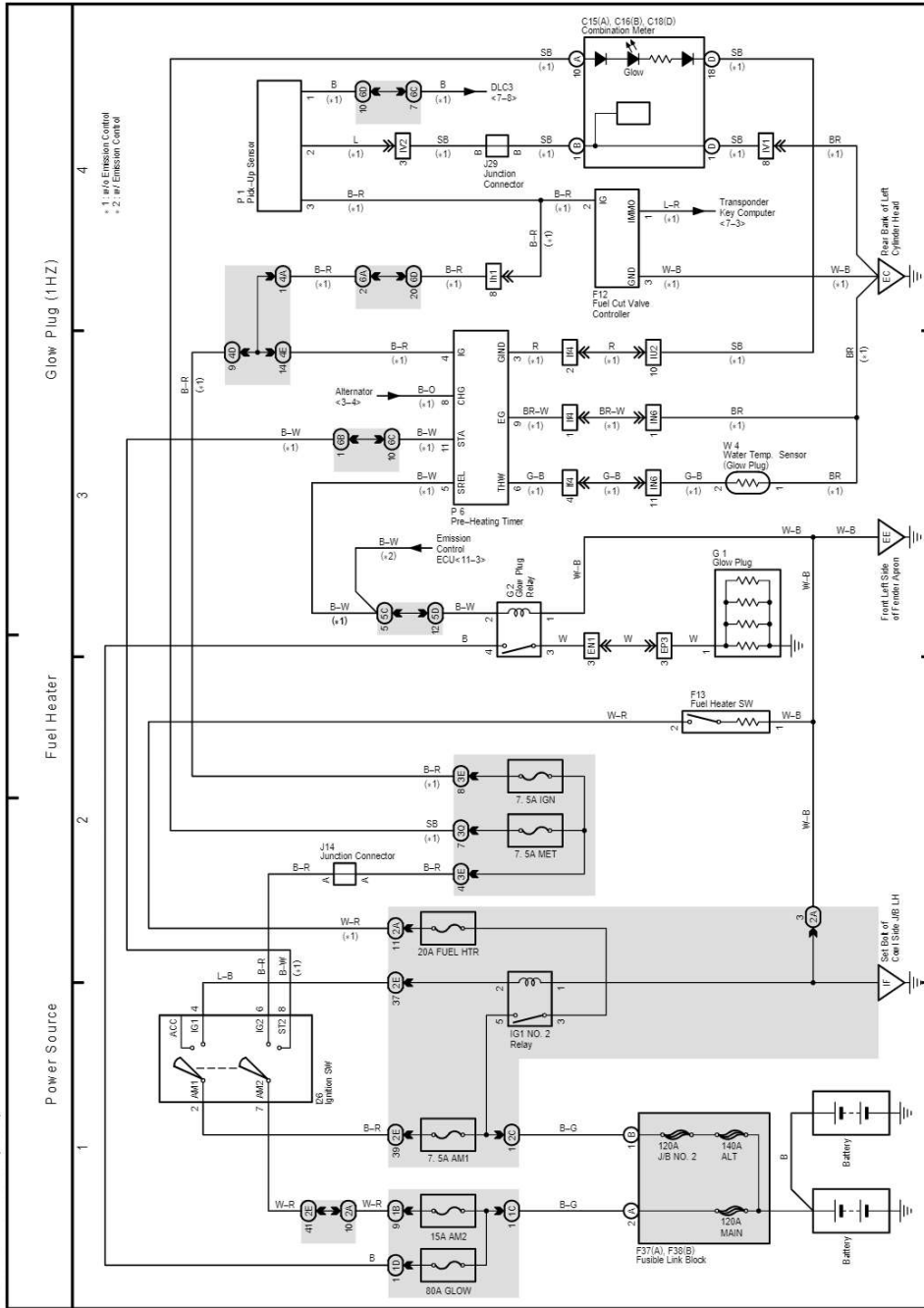
cardiagn.com



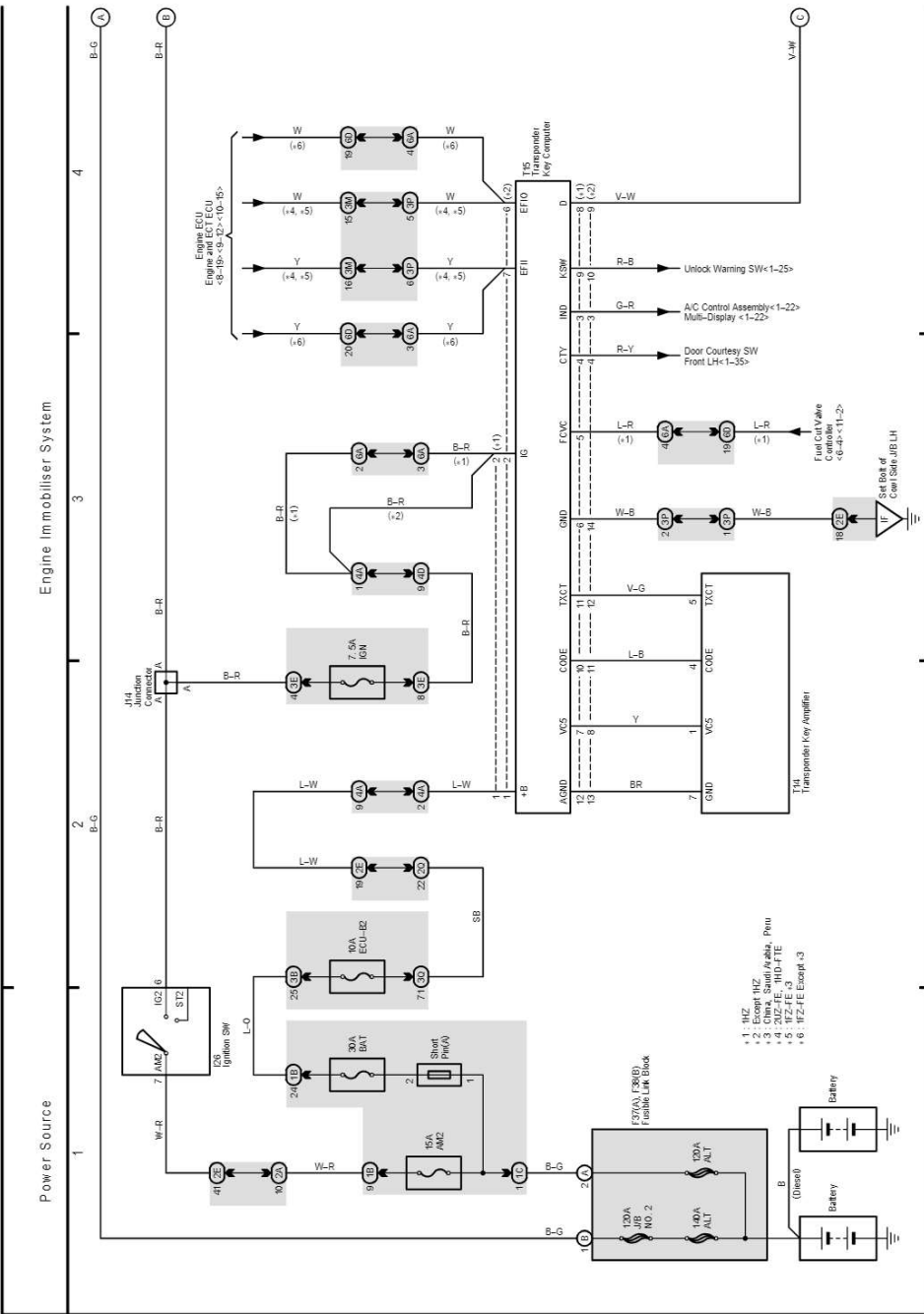
cardiagn.com

H OVERALL ELECTRICAL WIRING DIAGRAM

6 LAND CRUISER (LHD)



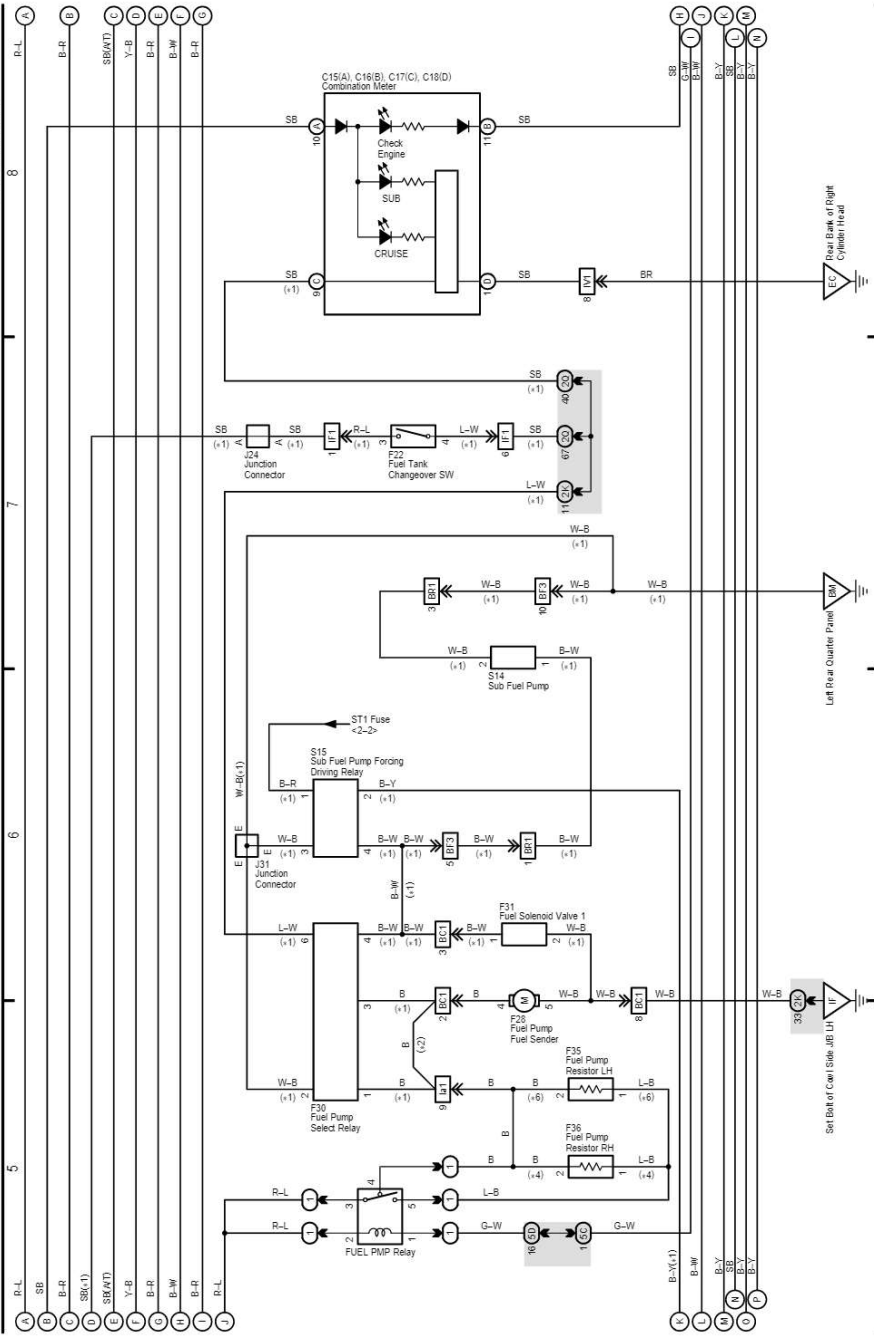
cardiagn.com



cardiagn.com

- 1 - 1st Sub Tank
- 2 - 2nd Sub Tank
- 3 - 3rd Sub Tank
- 4 - Europe, Saudi Arabia, Peru
- 5 - Saudi Arabia, Peru
- 6 - Middle East Except U.S.

Engine Control and Fuel Tank Changeover (2UZ-FE)

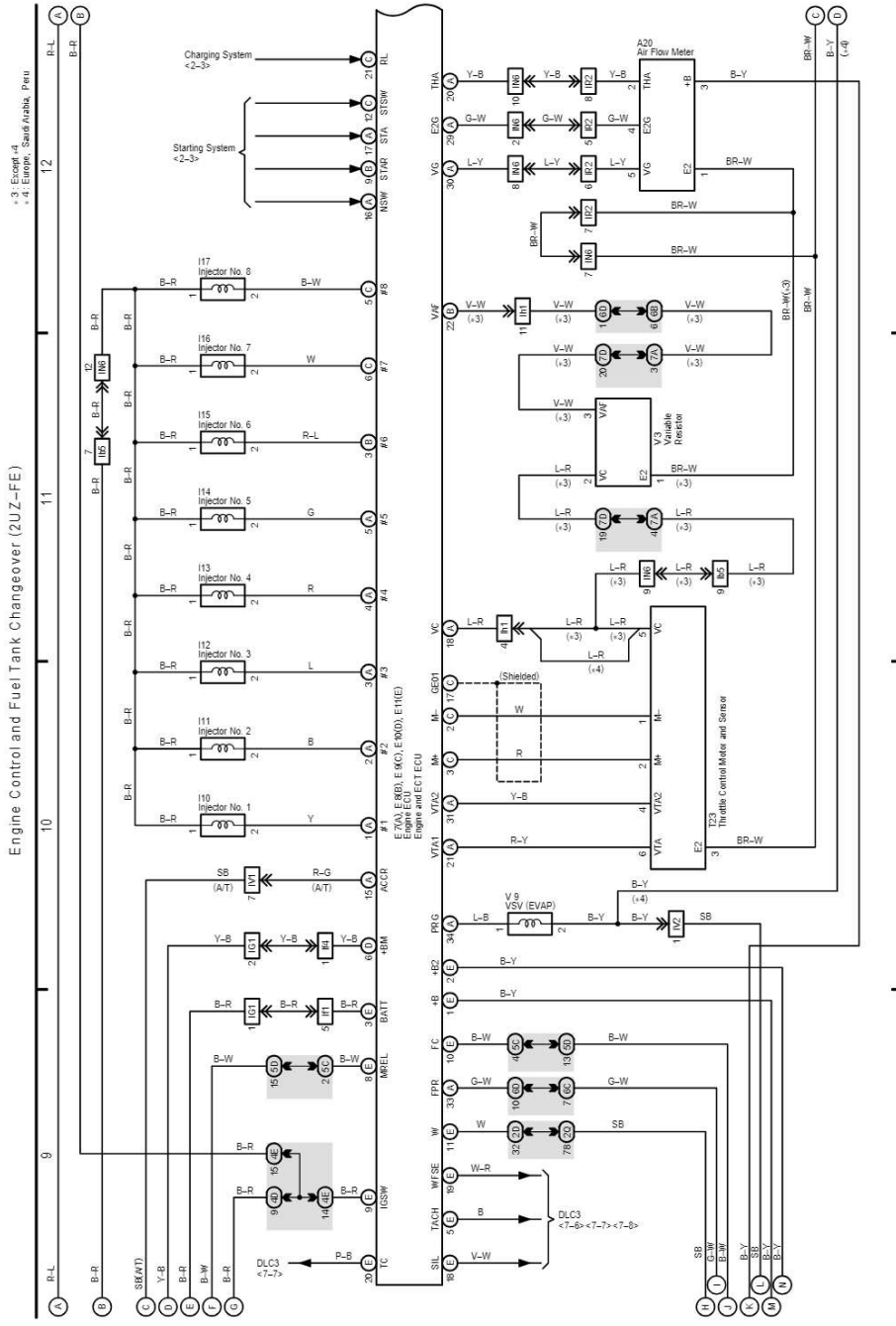


LAND CRUISER Station Wagon (EWD512E)

cardiagn.com

(Cont. next page)

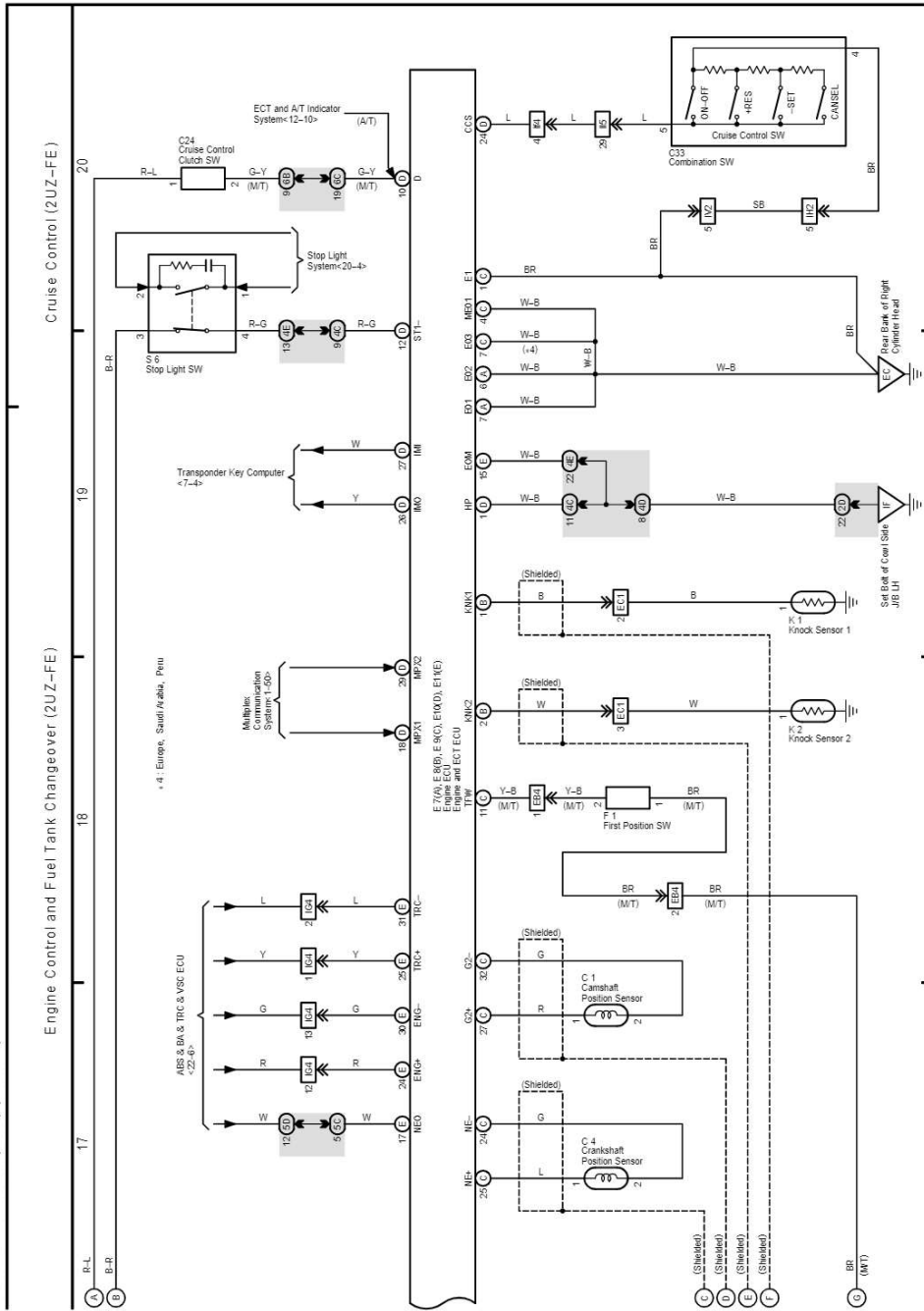
8 LAND CRUISER (LHD) (Cont' d)



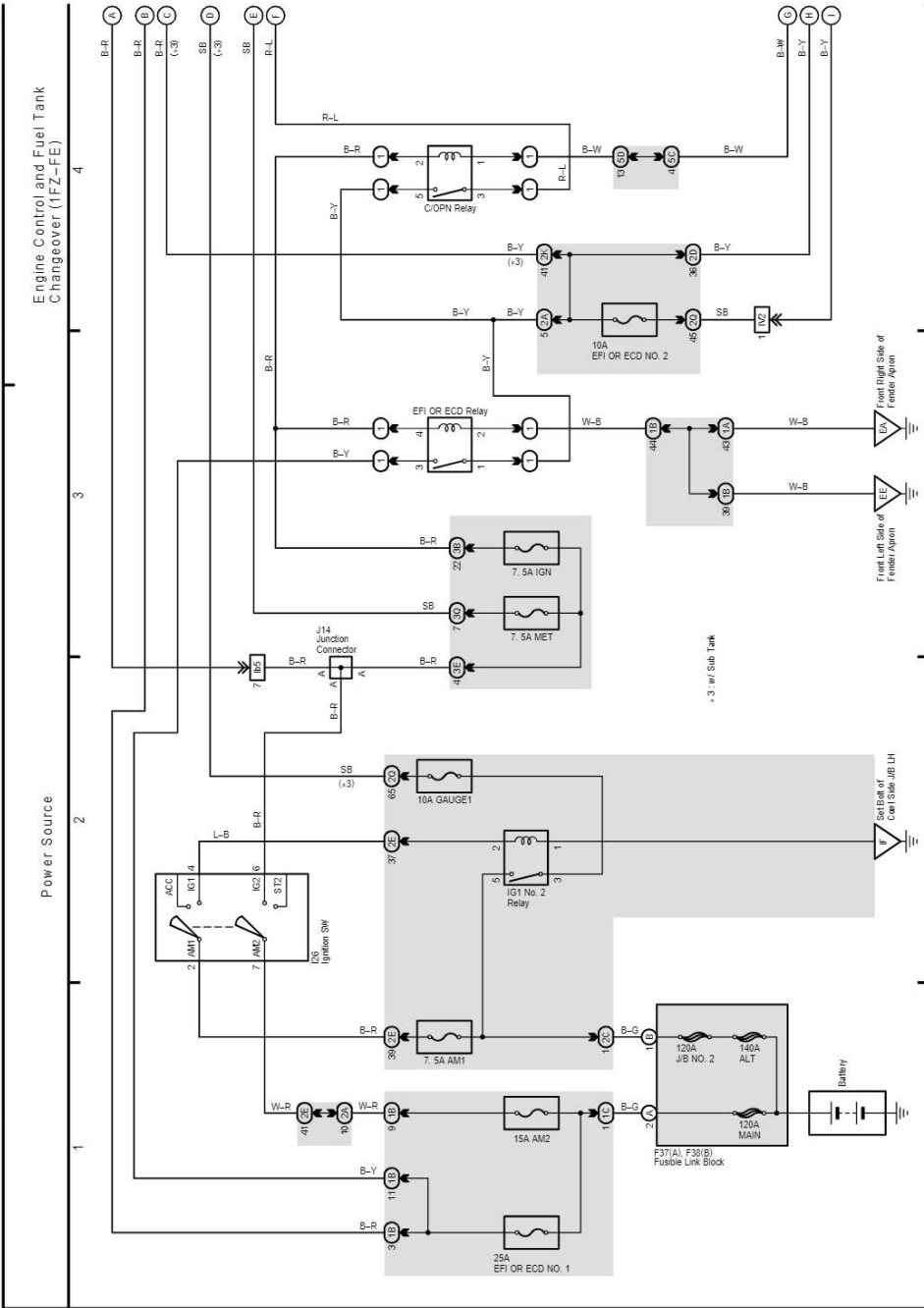
cardiagn.com

H OVERALL ELECTRICAL WIRING DIAGRAM

8 LAND CRUISER (LHD) (Cont' d)



cardiagn.com



cardiagn.com

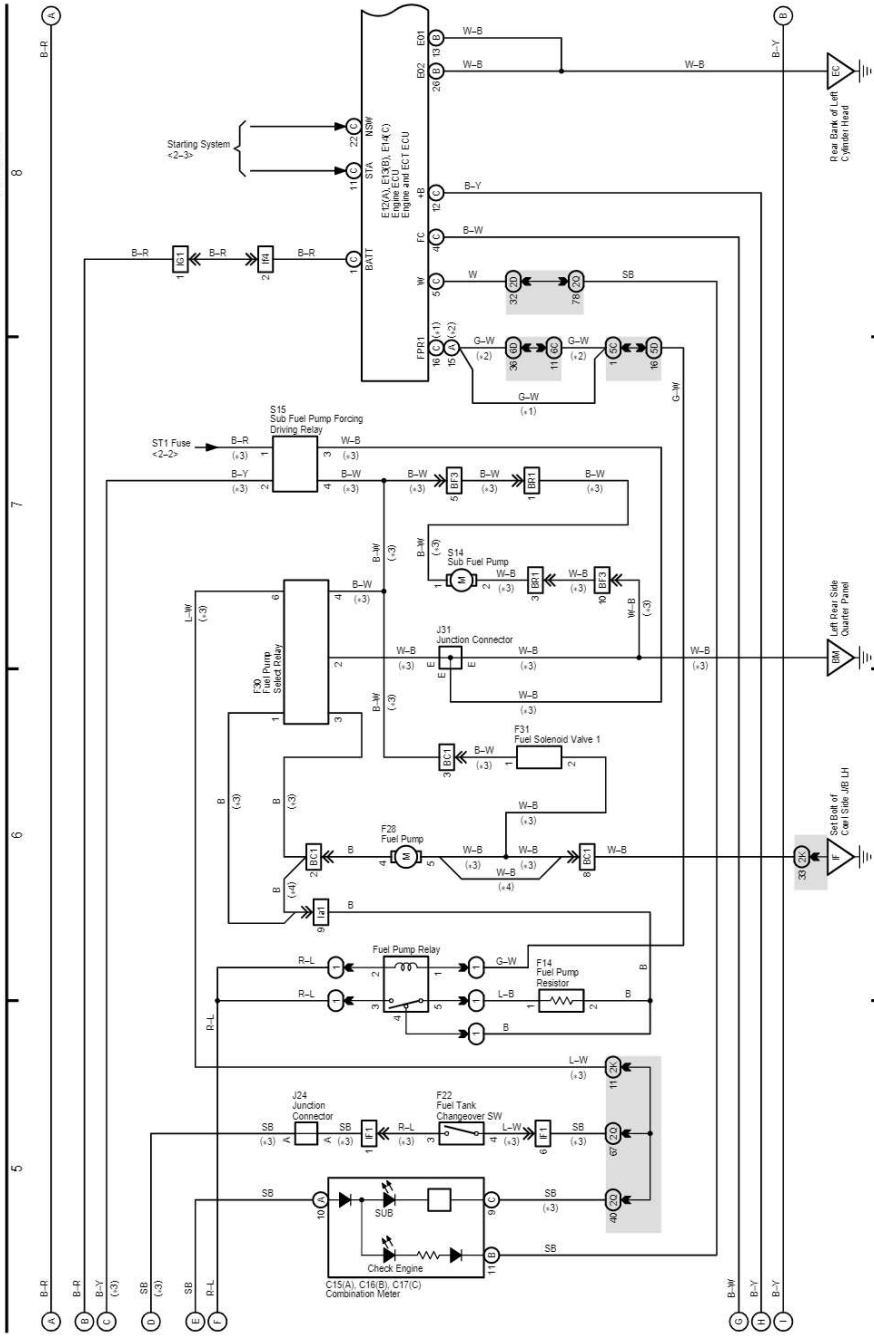
H OVERALL ELECTRICAL WIRING DIAGRAM

(Cont. next page)

9 LAND CRUISER (LHD) (Cont' d)

- *1 China, Saudi Arabia, Peru
- *2 Europe *
- *3 w/ Sub Tank
- *4 w/o Sub Tank

Engine Control and Fuel Tank Changeover (1FZ-FE)

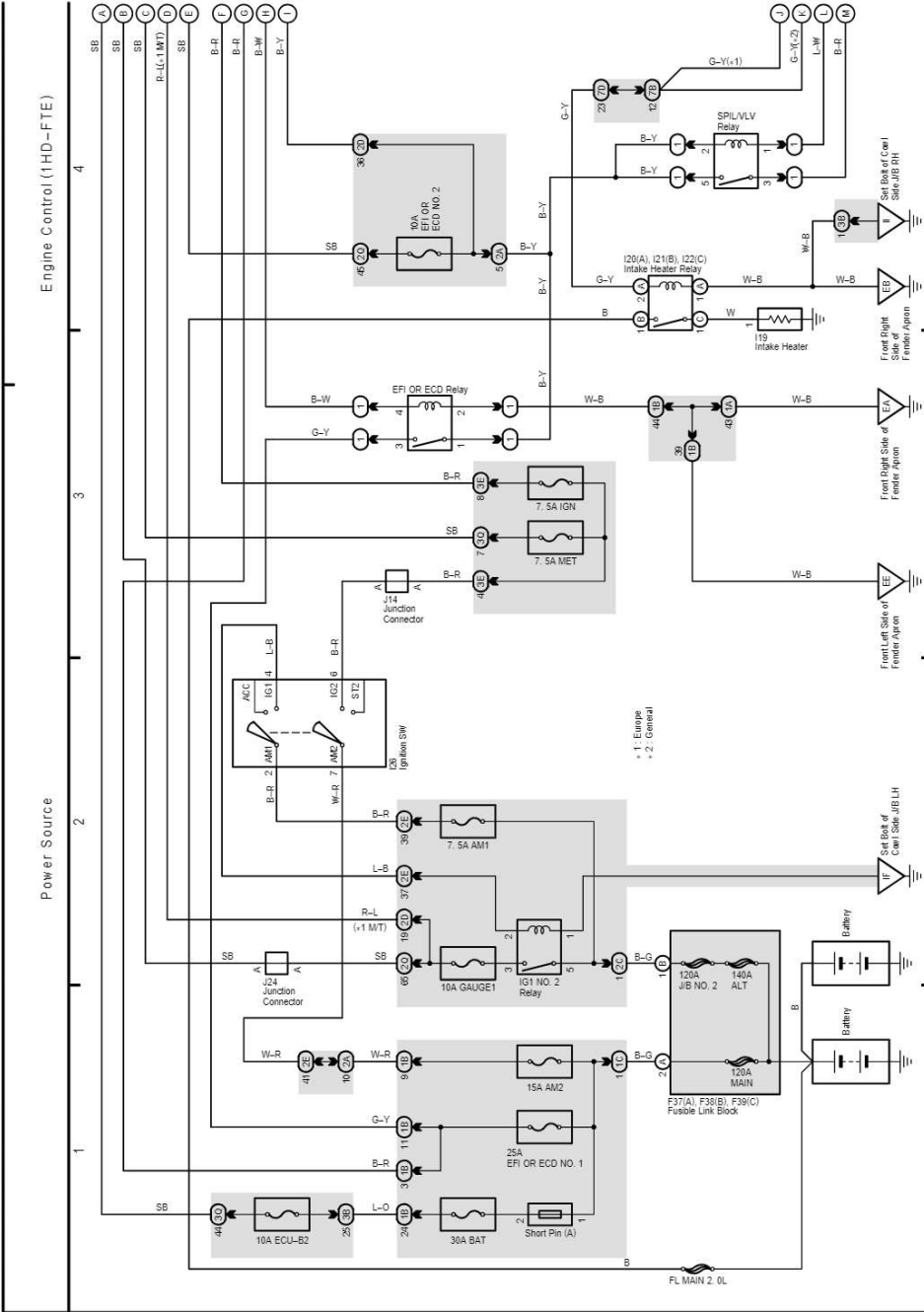


cardiagn.com

H OVERALL ELECTRICAL WIRING DIAGRAM

10 LAND CRUISER (LHD)

(Cont. next page)

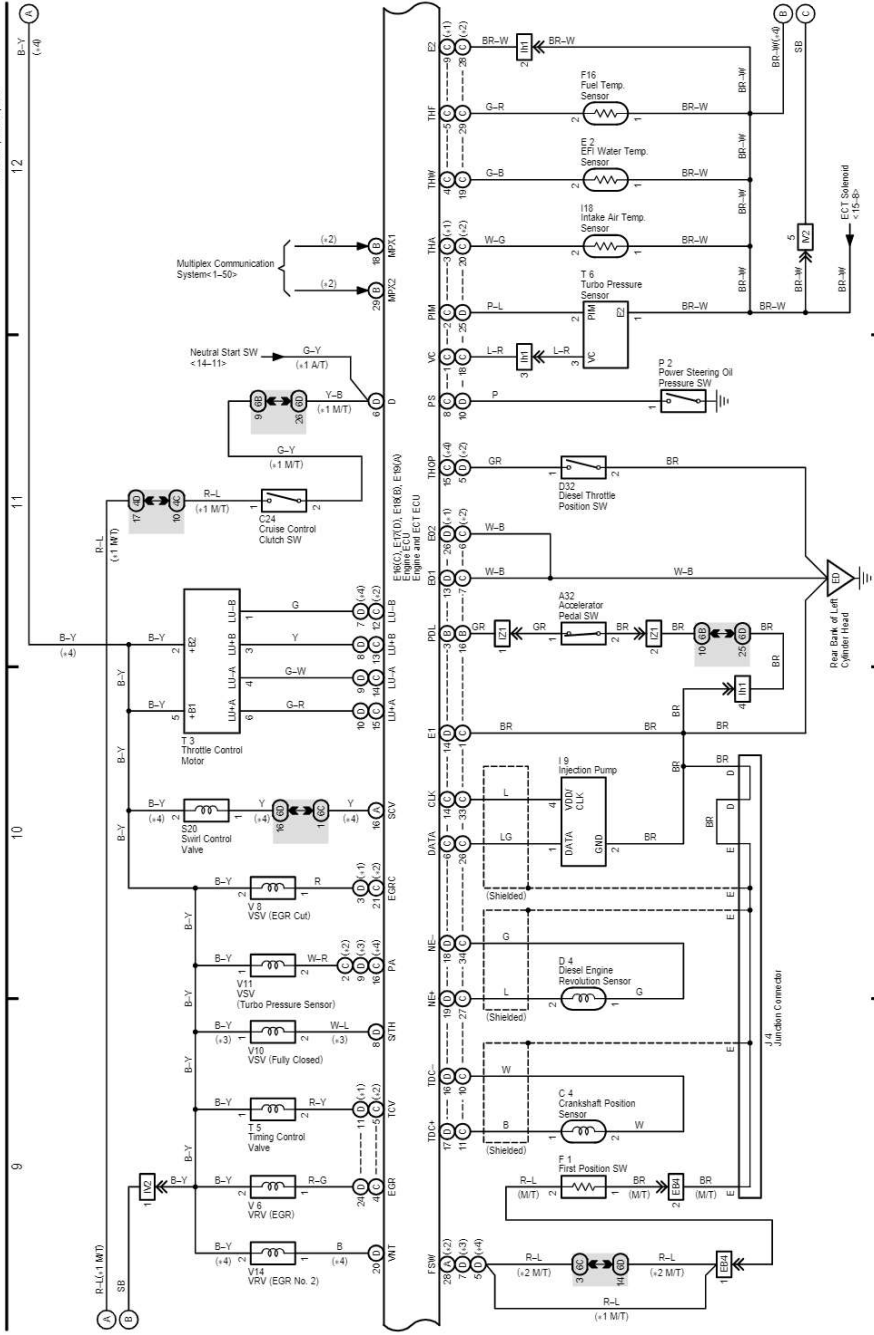


cardiagn.com

H OVERALL ELECTRICAL WIRING DIAGRAM

10 LAND CRUISER (LHD) (Cont' d) (Cont. next page)

- *1: Europe
- *2: General
- *3: Argentina, Russian
- *4: Europe Except U.S.



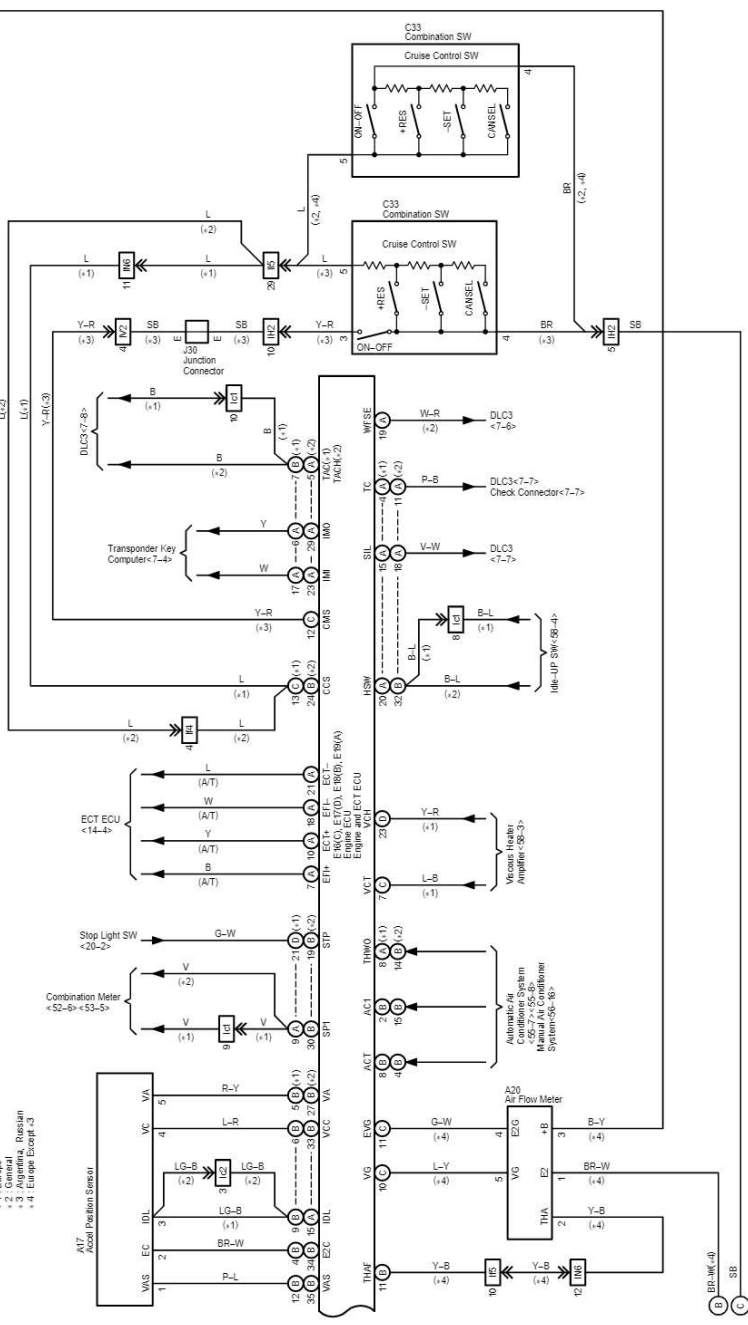
13

14

15

16

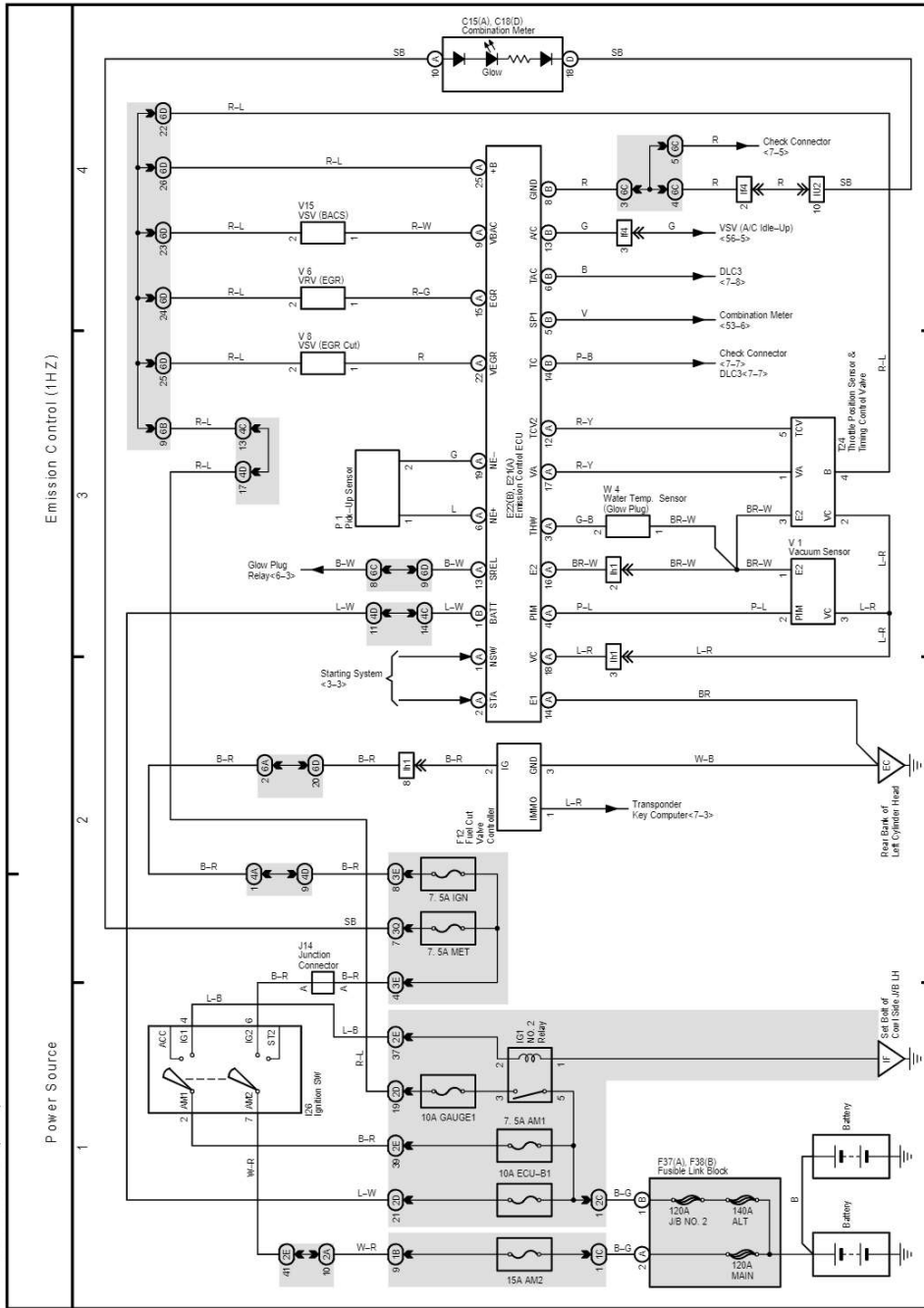
- * 1 Europe
- * 2 Argentina, Brazil
- * 3 Argentina, Replian
- * 4 Europe Except 3



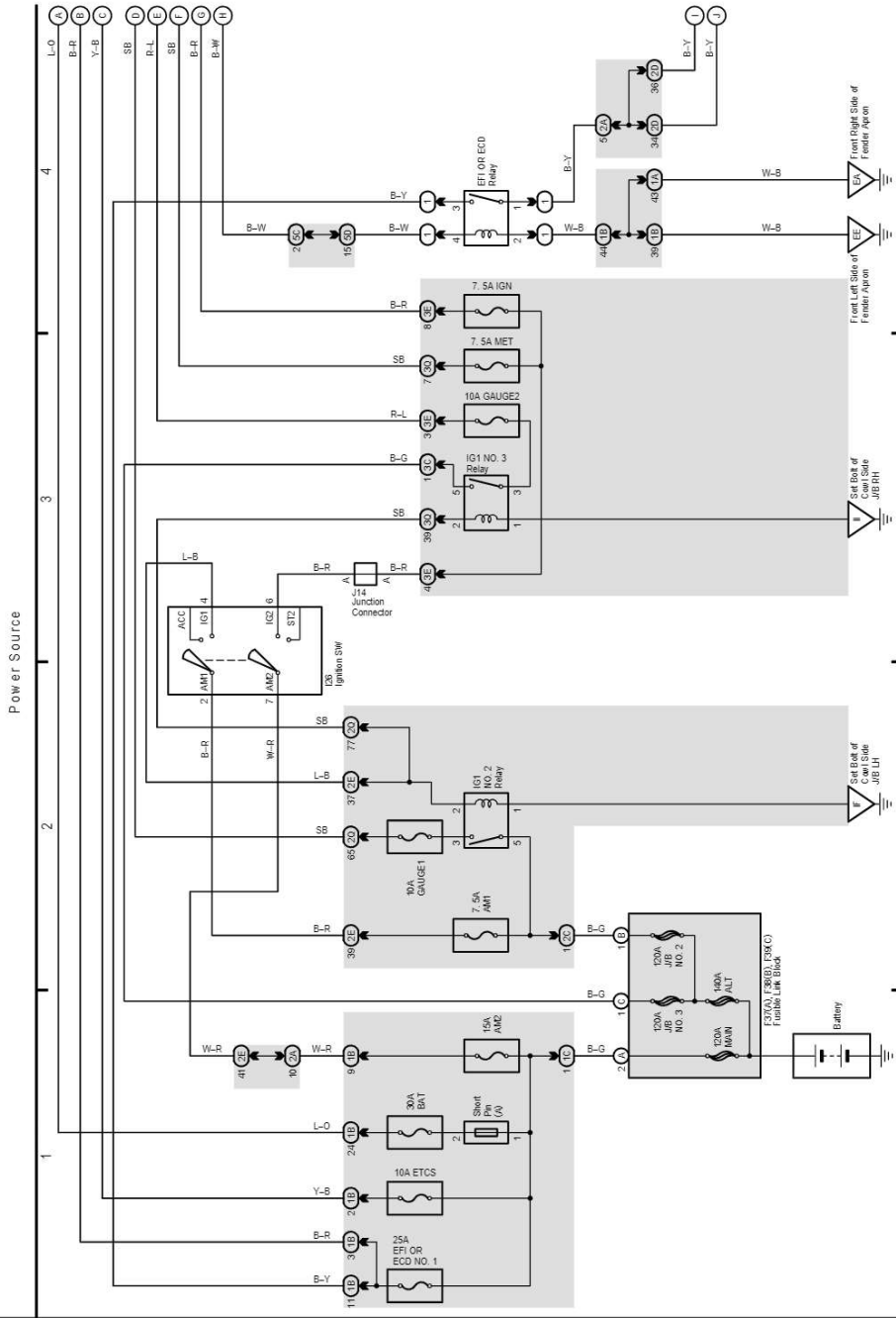
cardiagn.com

H OVERALL ELECTRICAL WIRING DIAGRAM

11 LAND CRUISER (LHD)

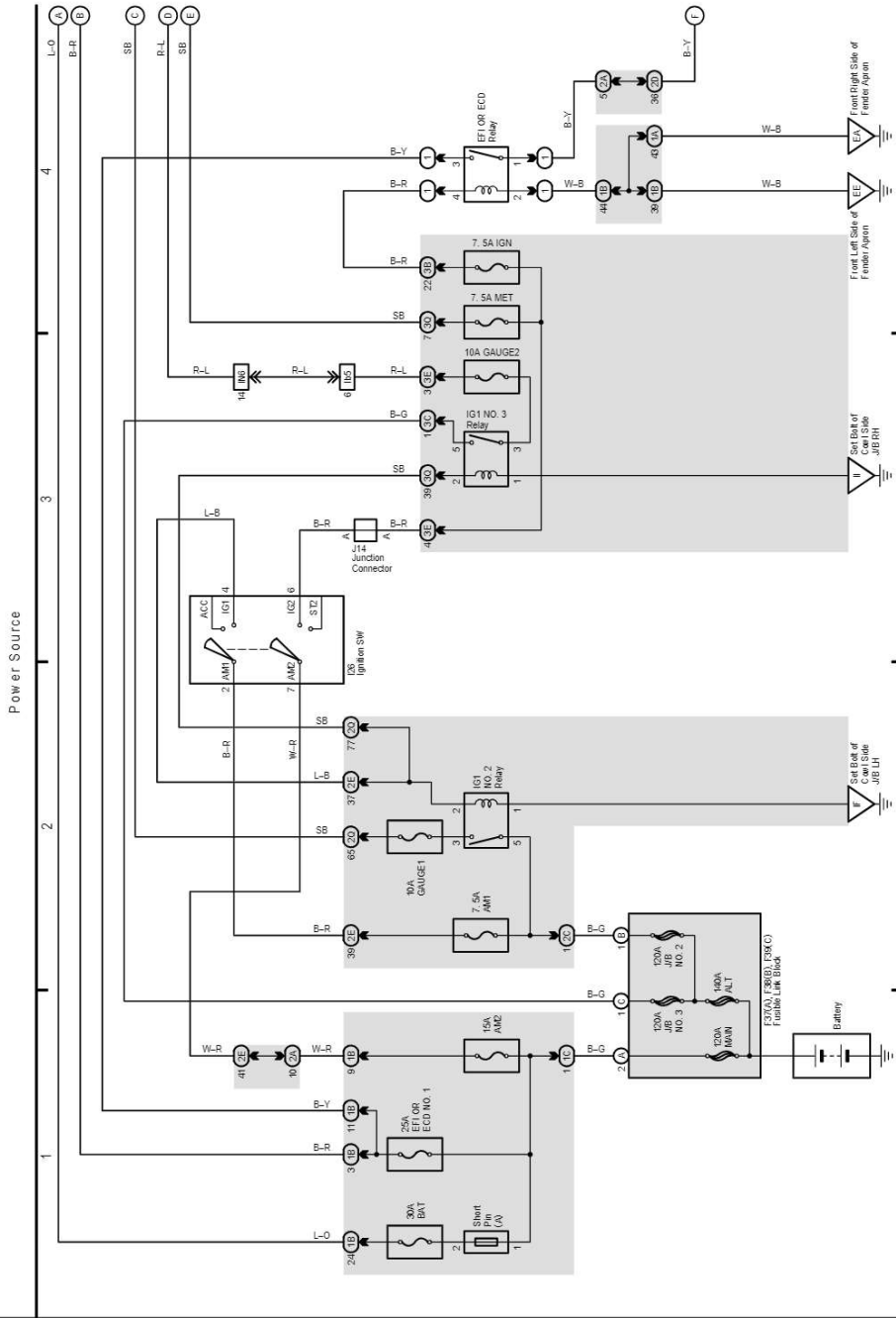


cardiagn.com



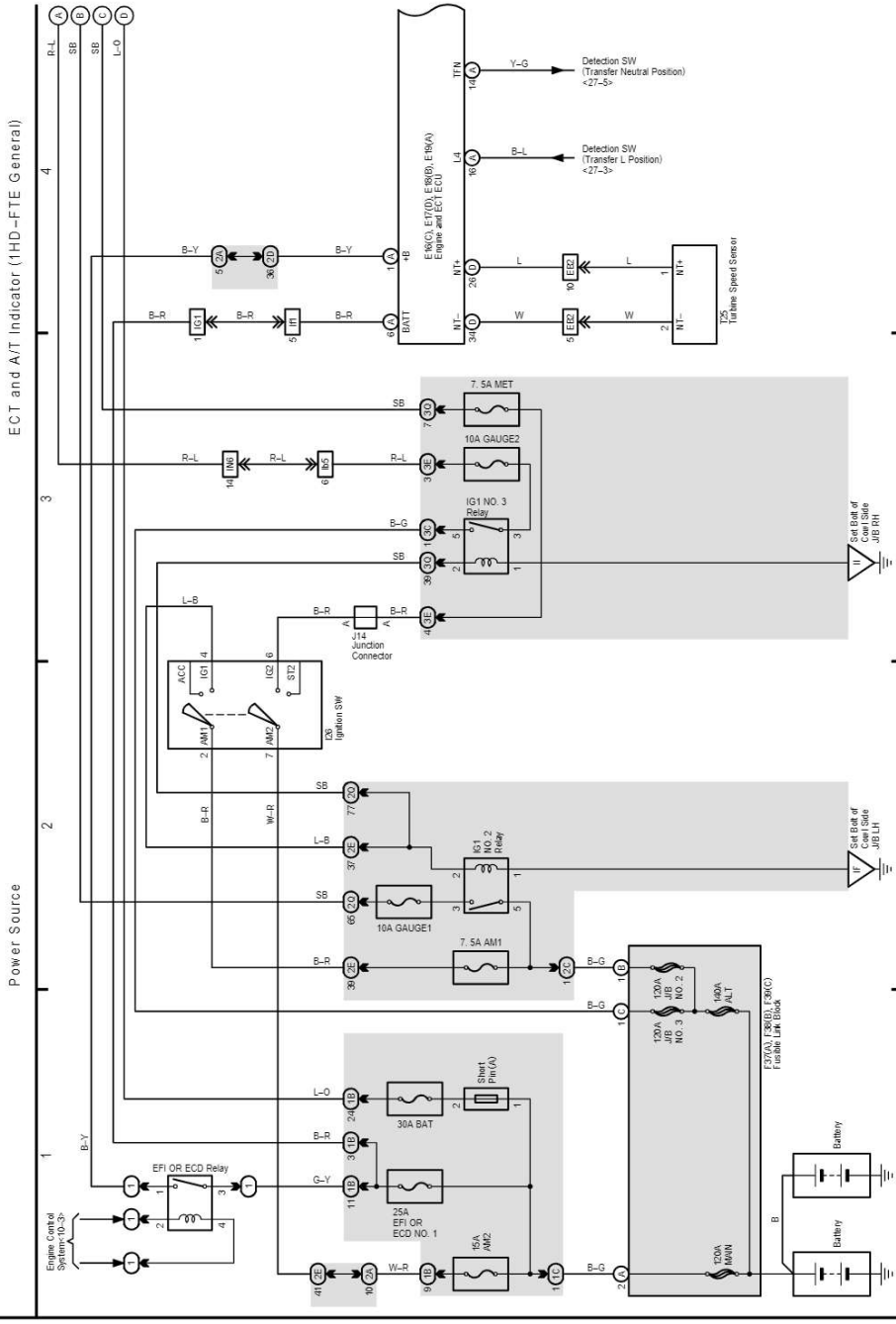
LAND CRUISER Station Wagon (EWD512E)

cardiagn.com



LAND CRUISER Station Wagon (EWD512E)

cardiagn.com

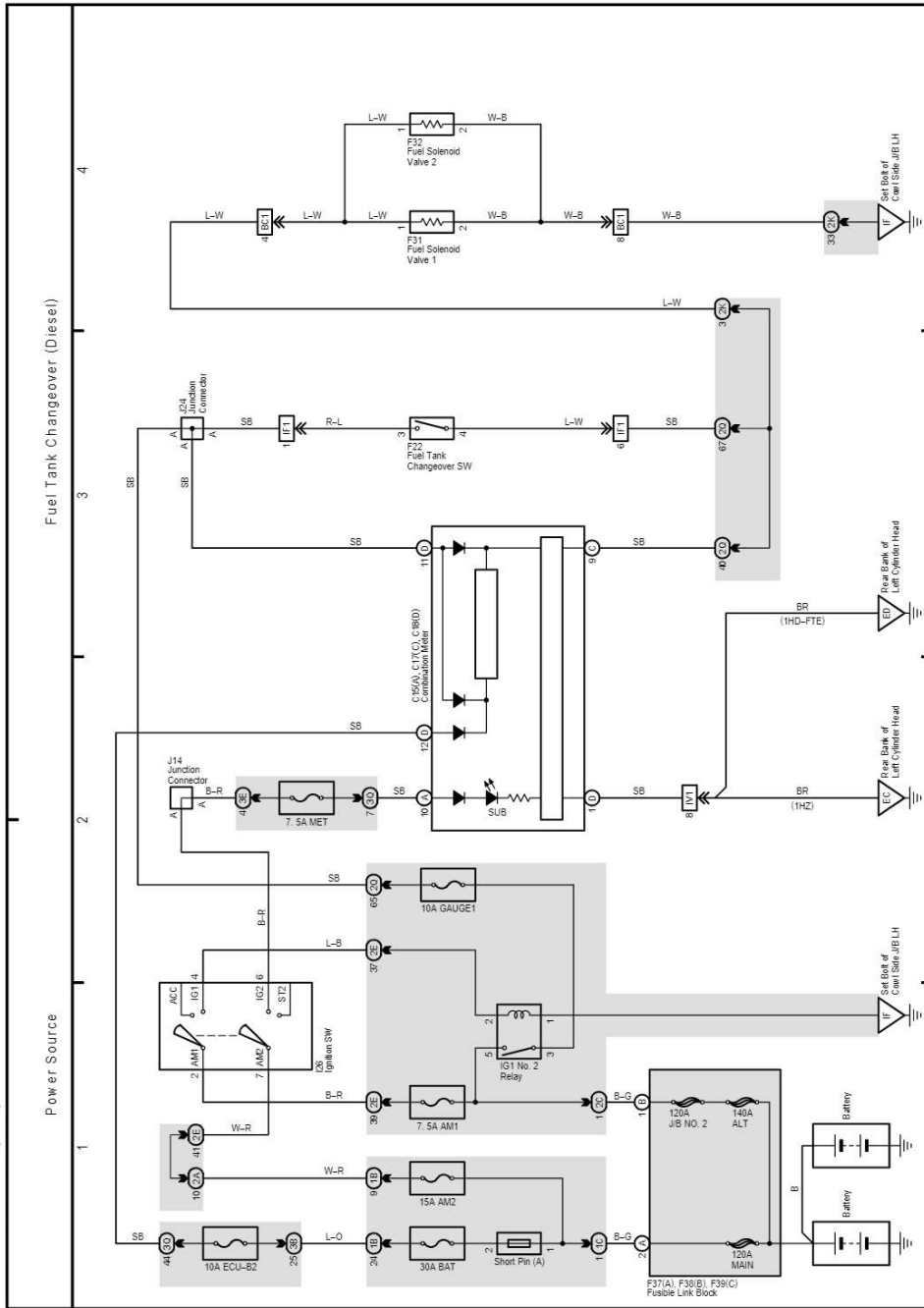


cardiagn.com

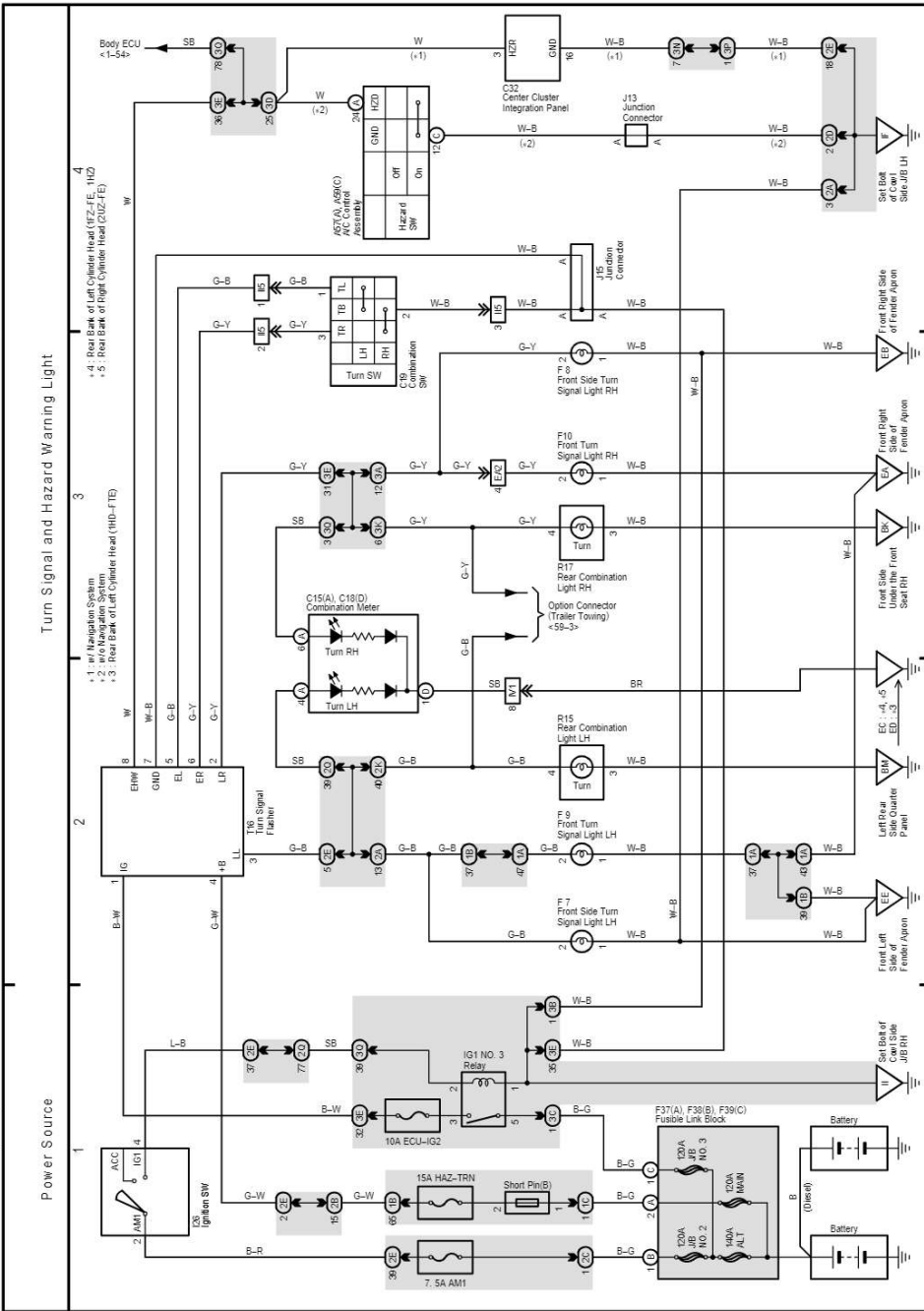
LAND CRUISER Station Wagon (EWD512E)

H OVERALL ELECTRICAL WIRING DIAGRAM

16 LAND CRUISER (LHD)



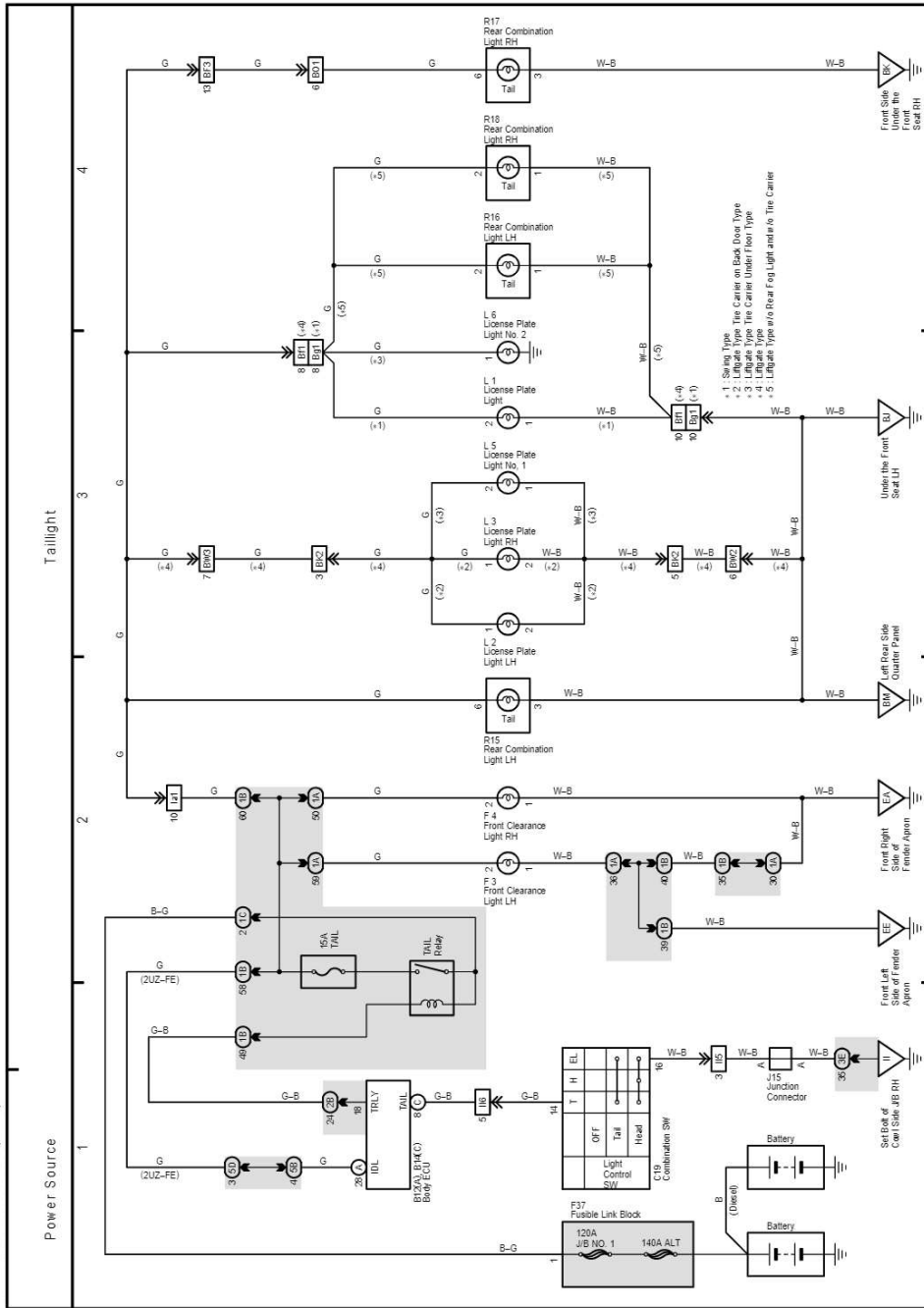
cardiagn.com



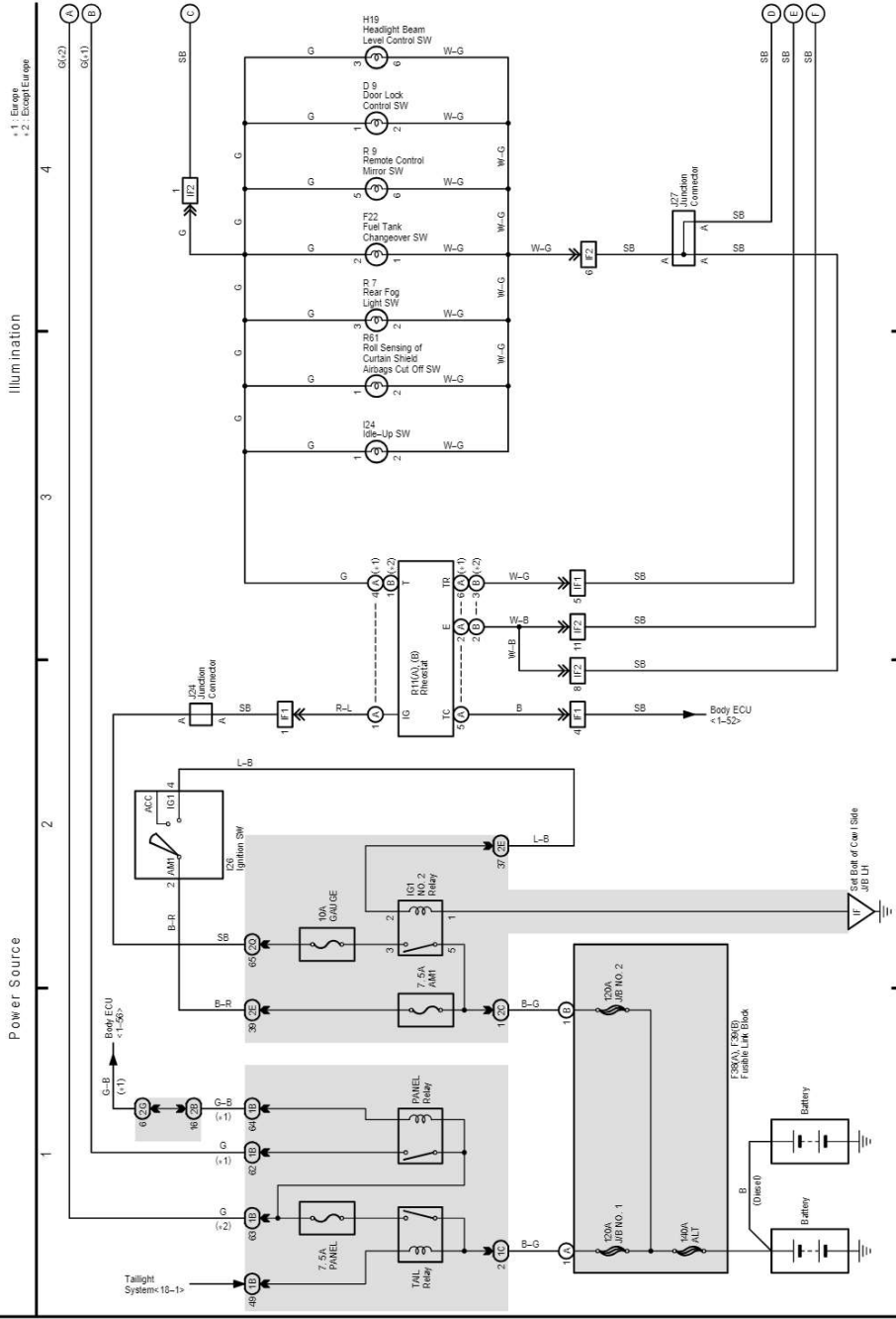
cardiagn.com

H OVERALL ELECTRICAL WIRING DIAGRAM

18 LAND CRUISER (LHD)



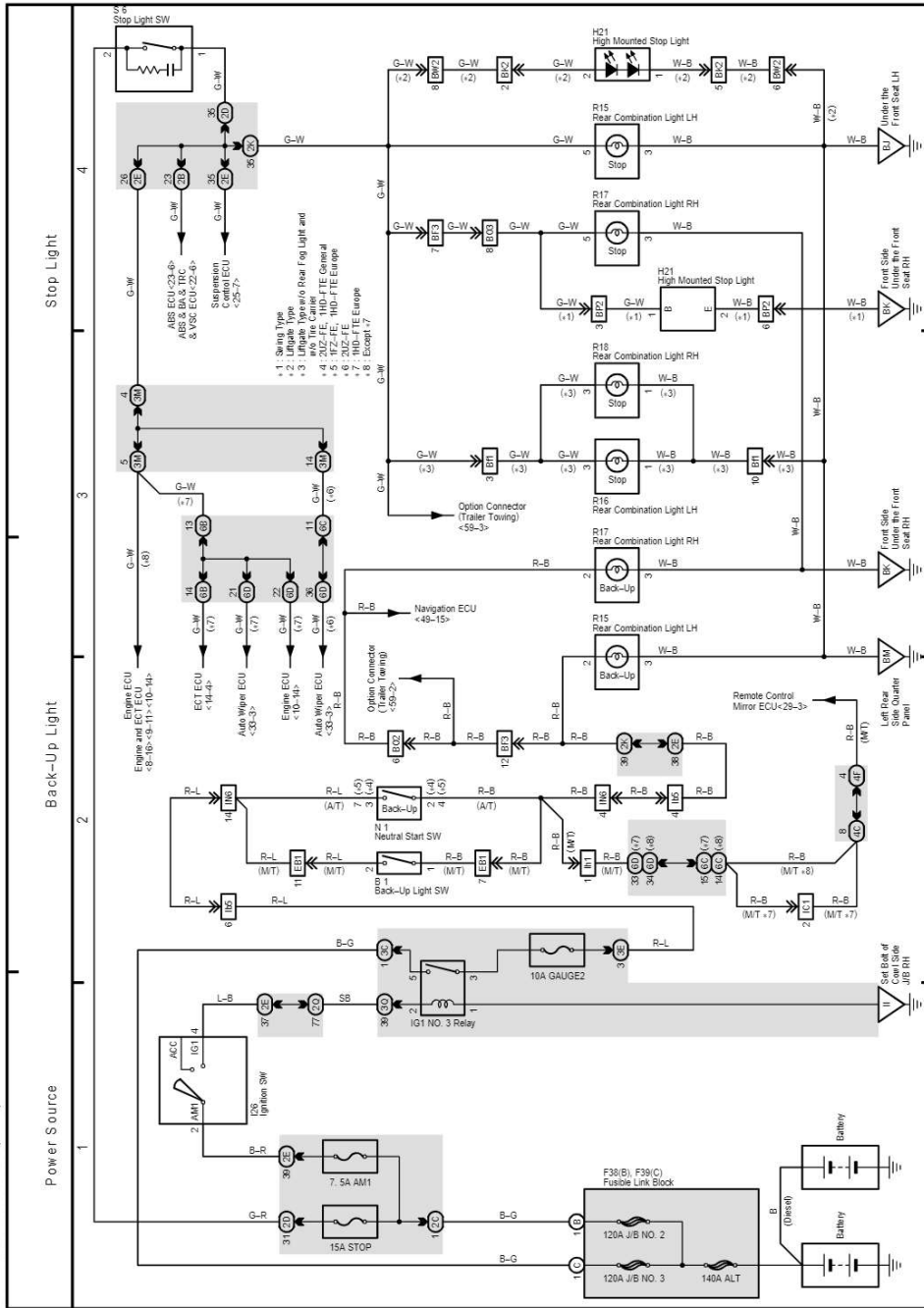
cardiagn.com



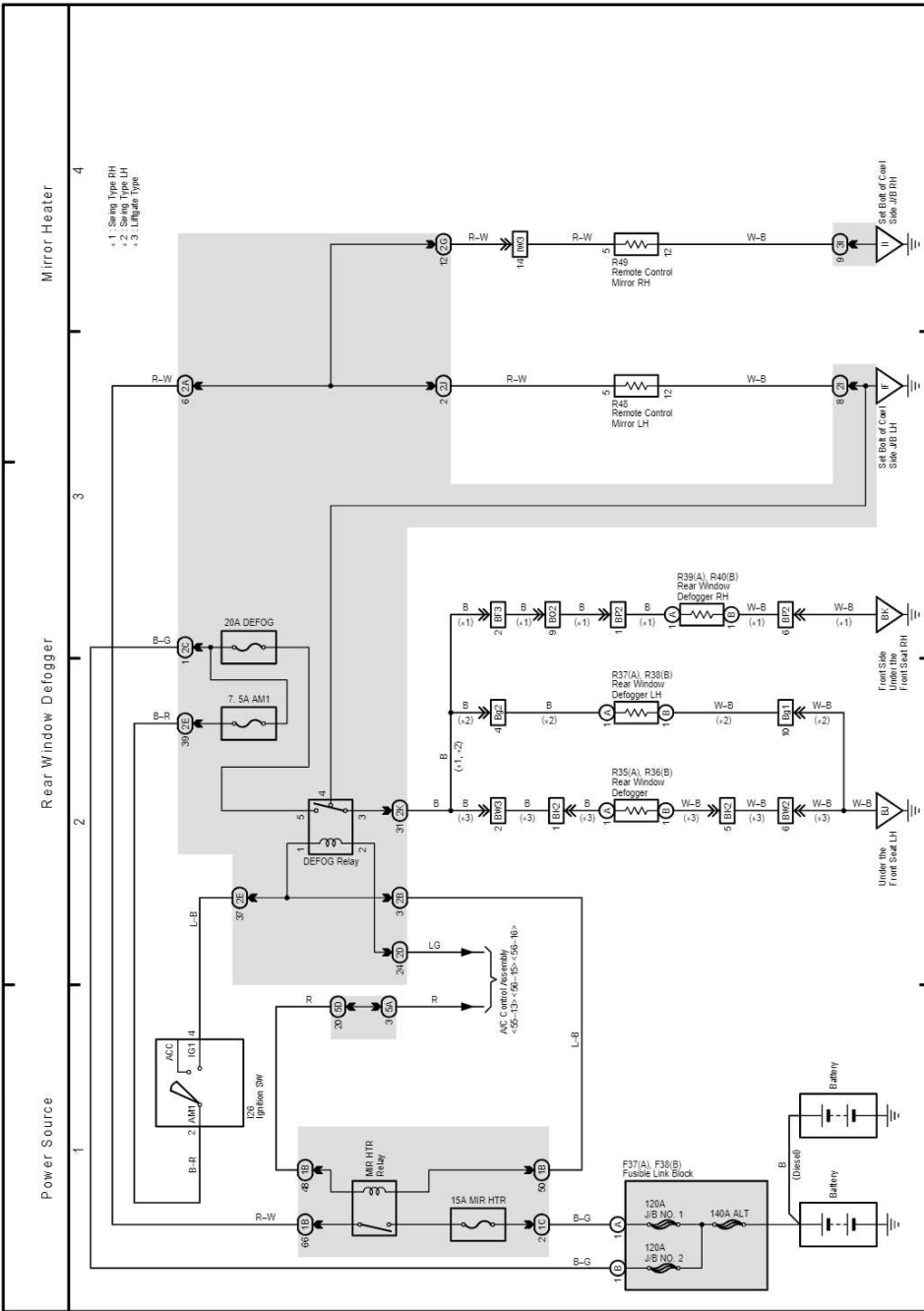
cardiagn.com

H OVERALL ELECTRICAL WIRING DIAGRAM

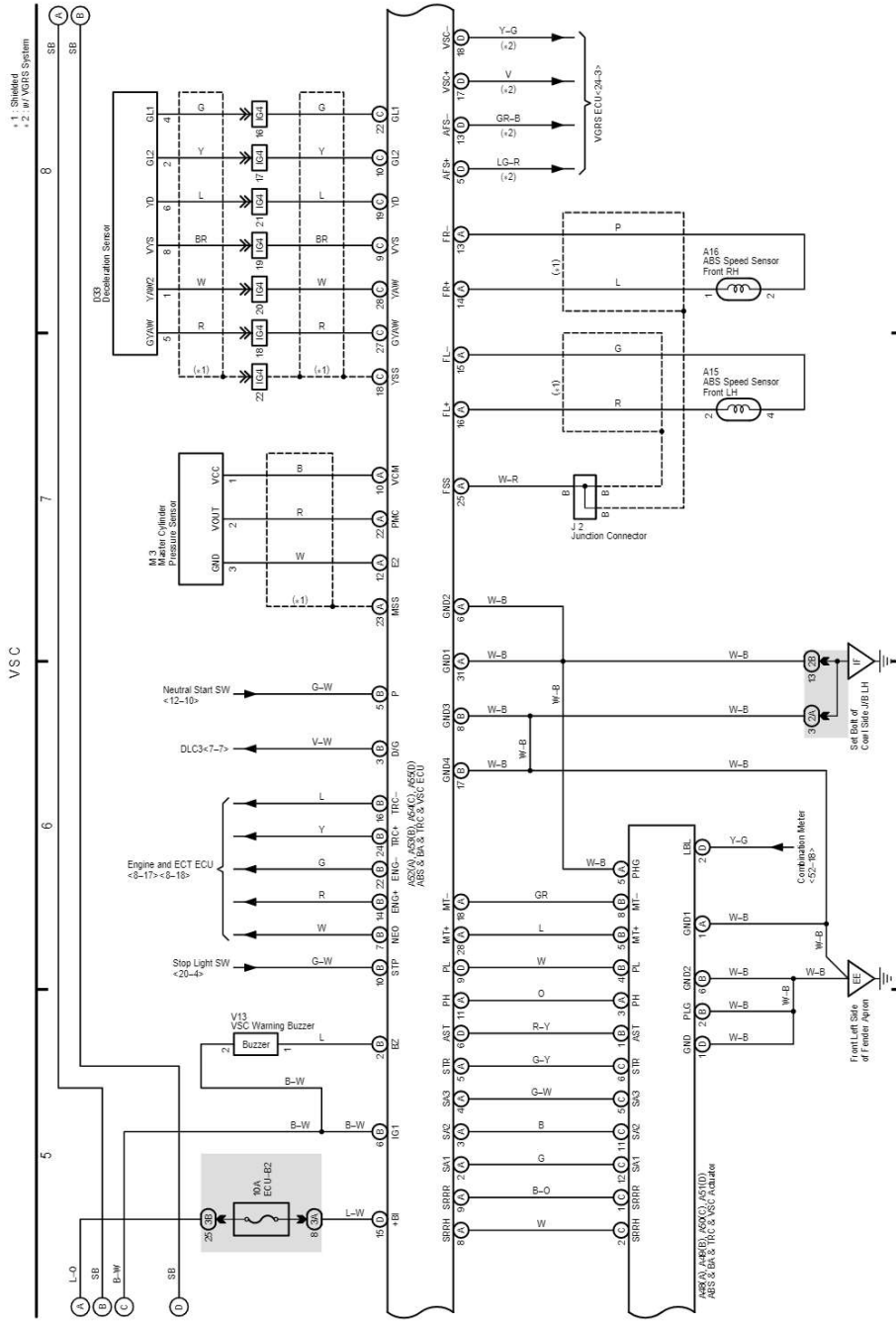
20 LAND CRUISER (LHD)



cardiagn.com



cardiagn.com

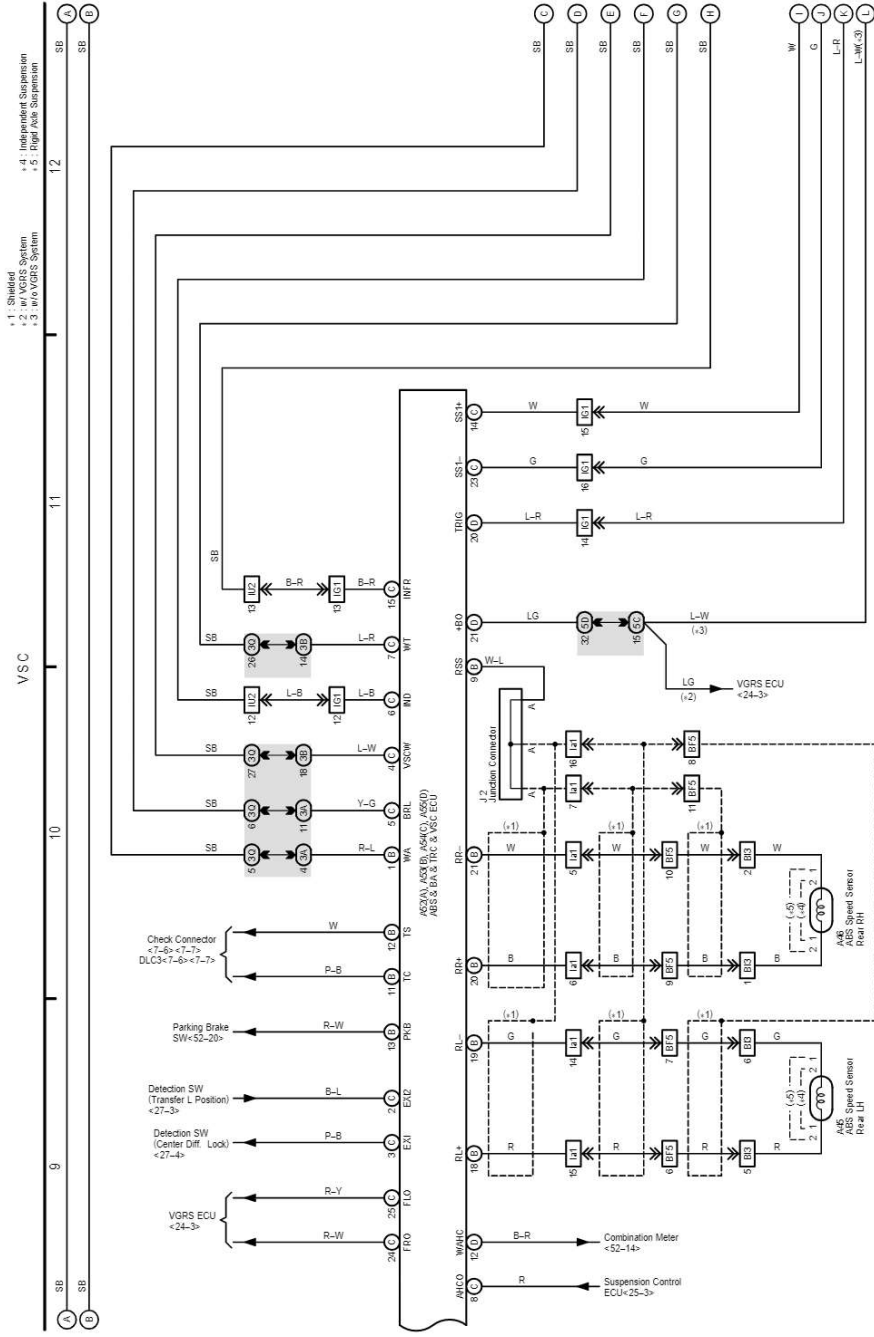


LAND CRUISER Station Wagon (EWD512E)

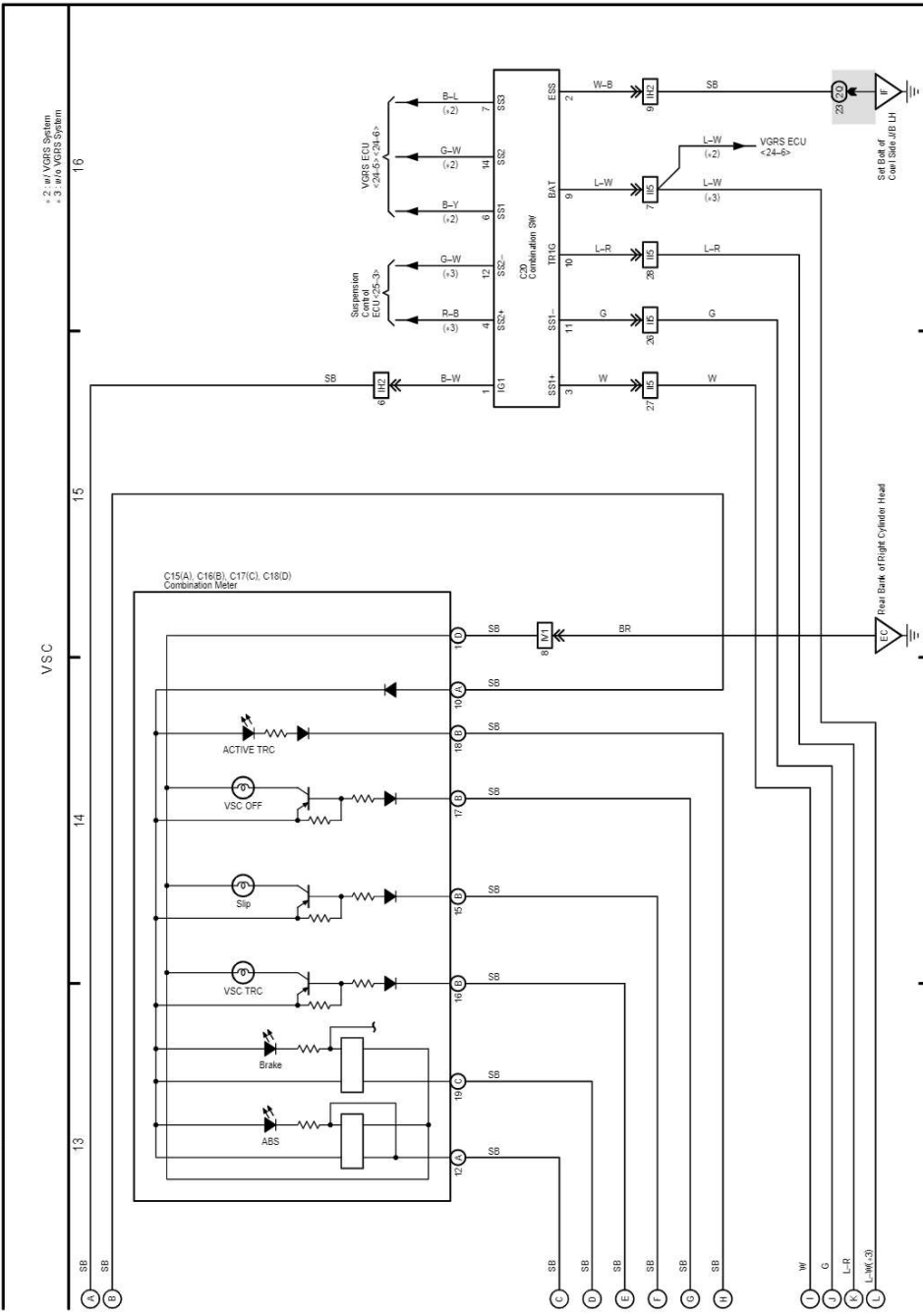
H OVERALL ELECTRICAL WIRING DIAGRAM

22 LAND CRUISER (LHD) (Cont' d)

(Cont. next page)



cardiagn.com

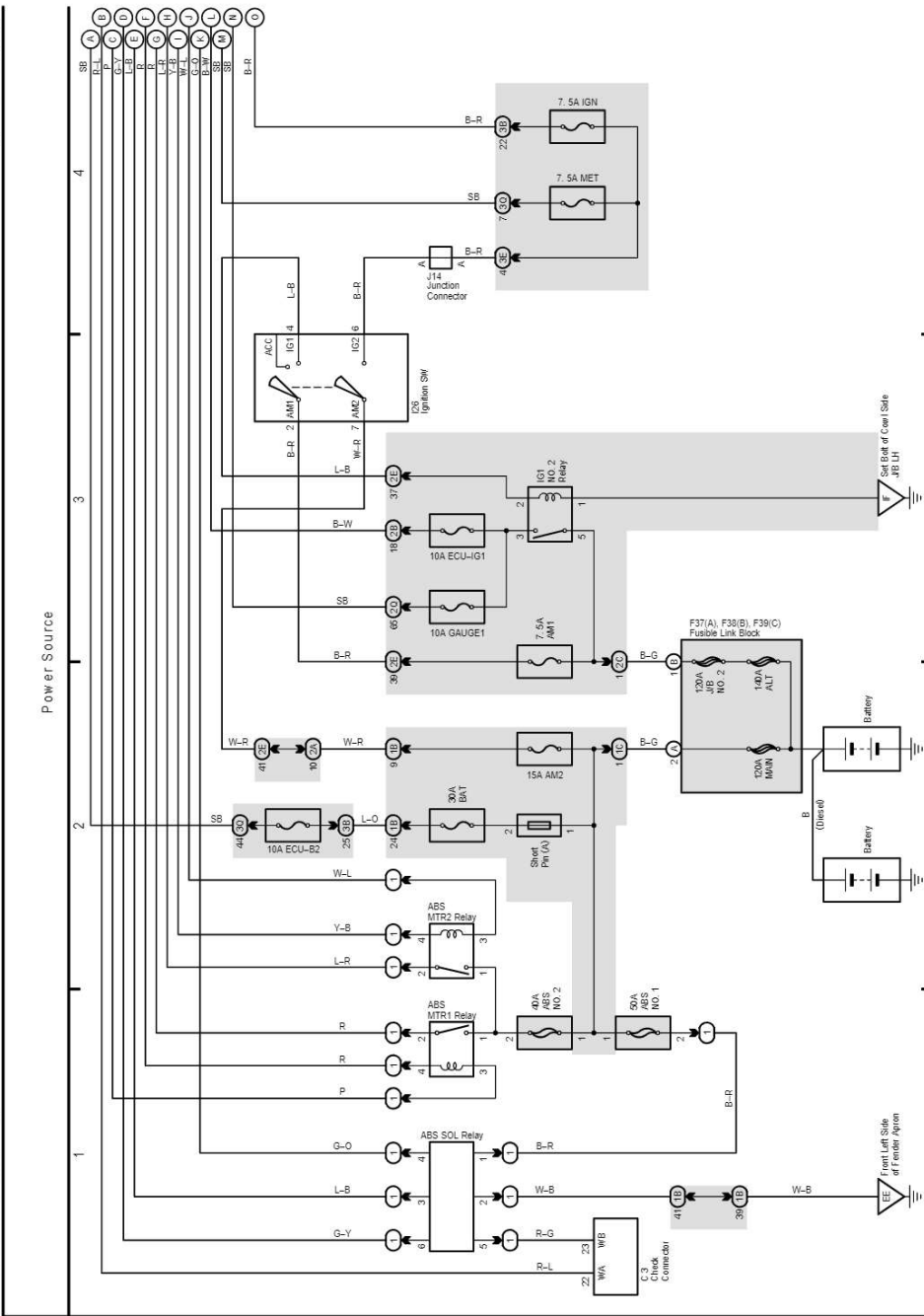


LAND CRUISER Station Wagon (EWD512E)

H OVERALL ELECTRICAL WIRING DIAGRAM

23 LAND CRUISER (LHD)

(Cont. next page)

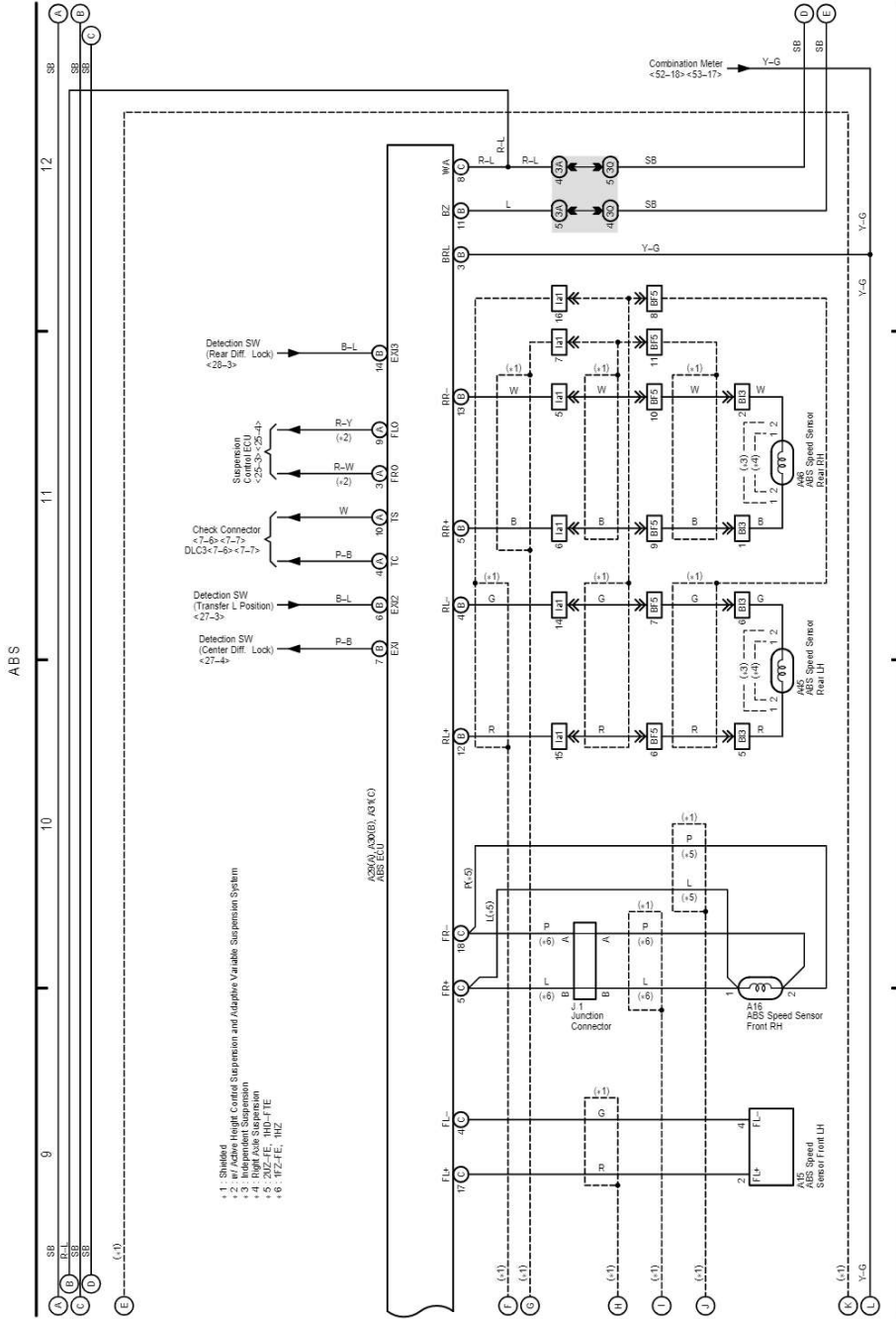


cardiagn.com

H OVERALL ELECTRICAL WIRING DIAGRAM

23 LAND CRUISER (LHD) (Cont' d)

(Cont. next page)



cardiagn.com

23 LAND CRUISER (LHD) (Cont' d)

ABS

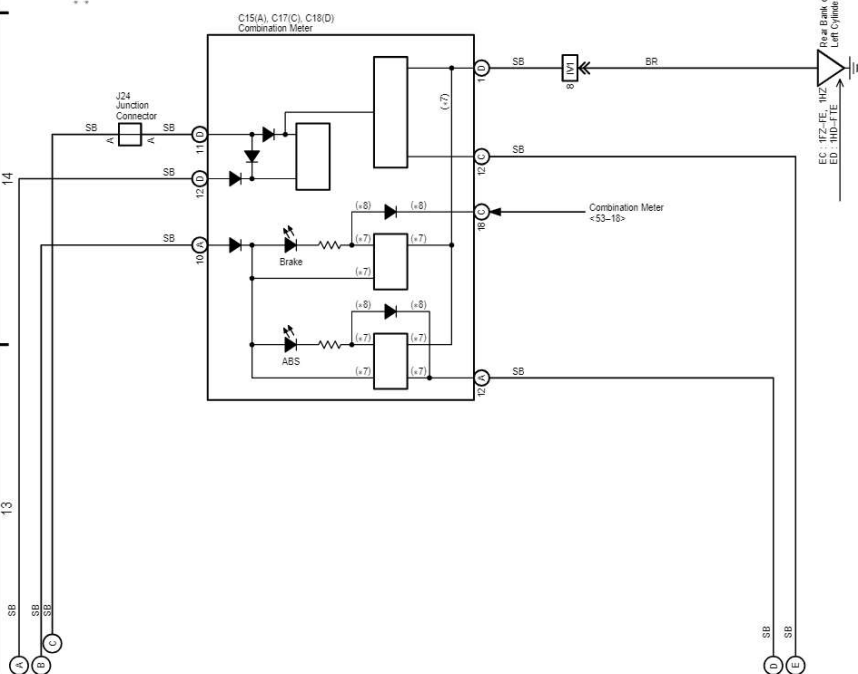
16

15

14

13

*7: 2UZ-FE, 1HD-FTE General
*8: Except *

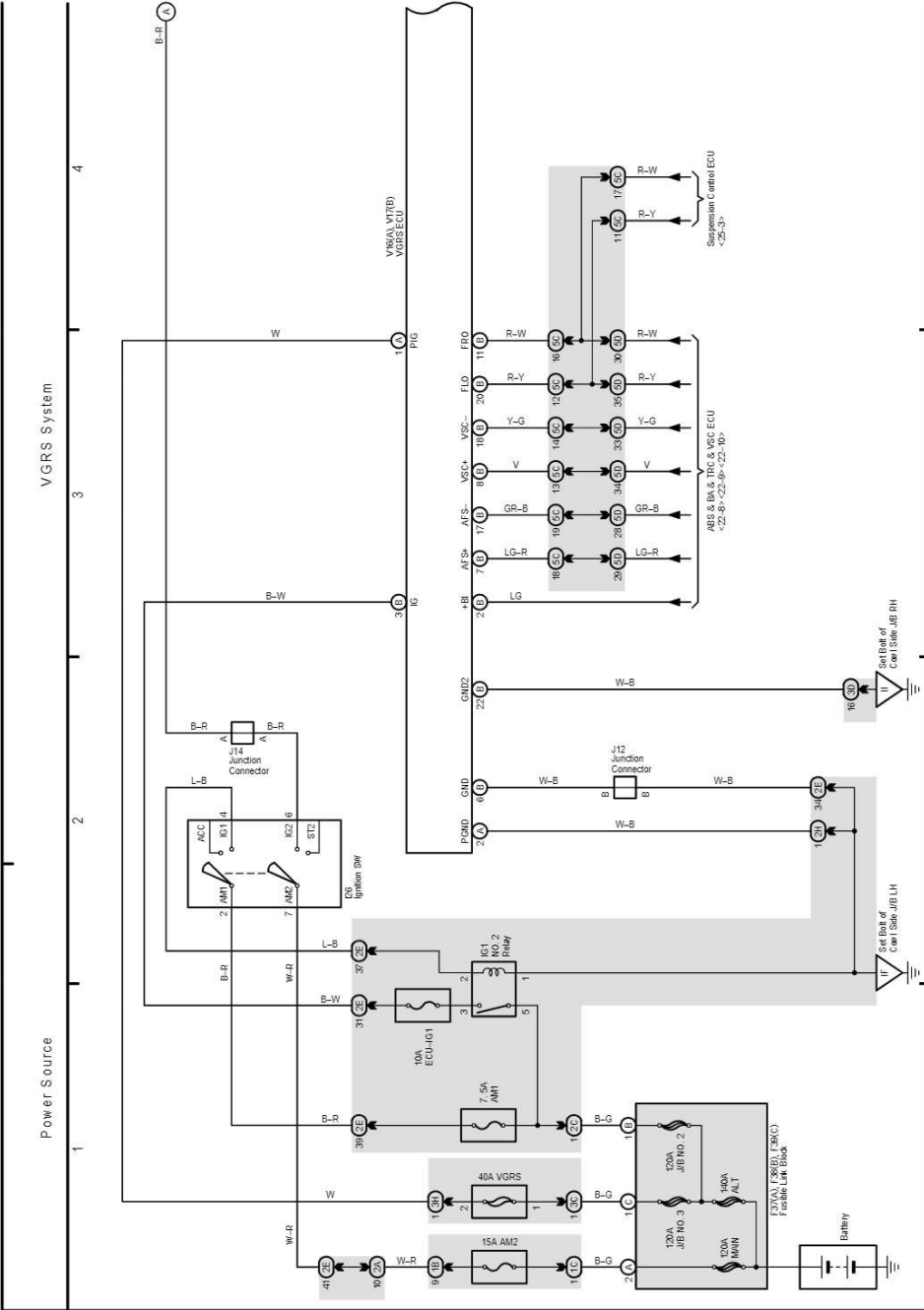


cardiagn.com

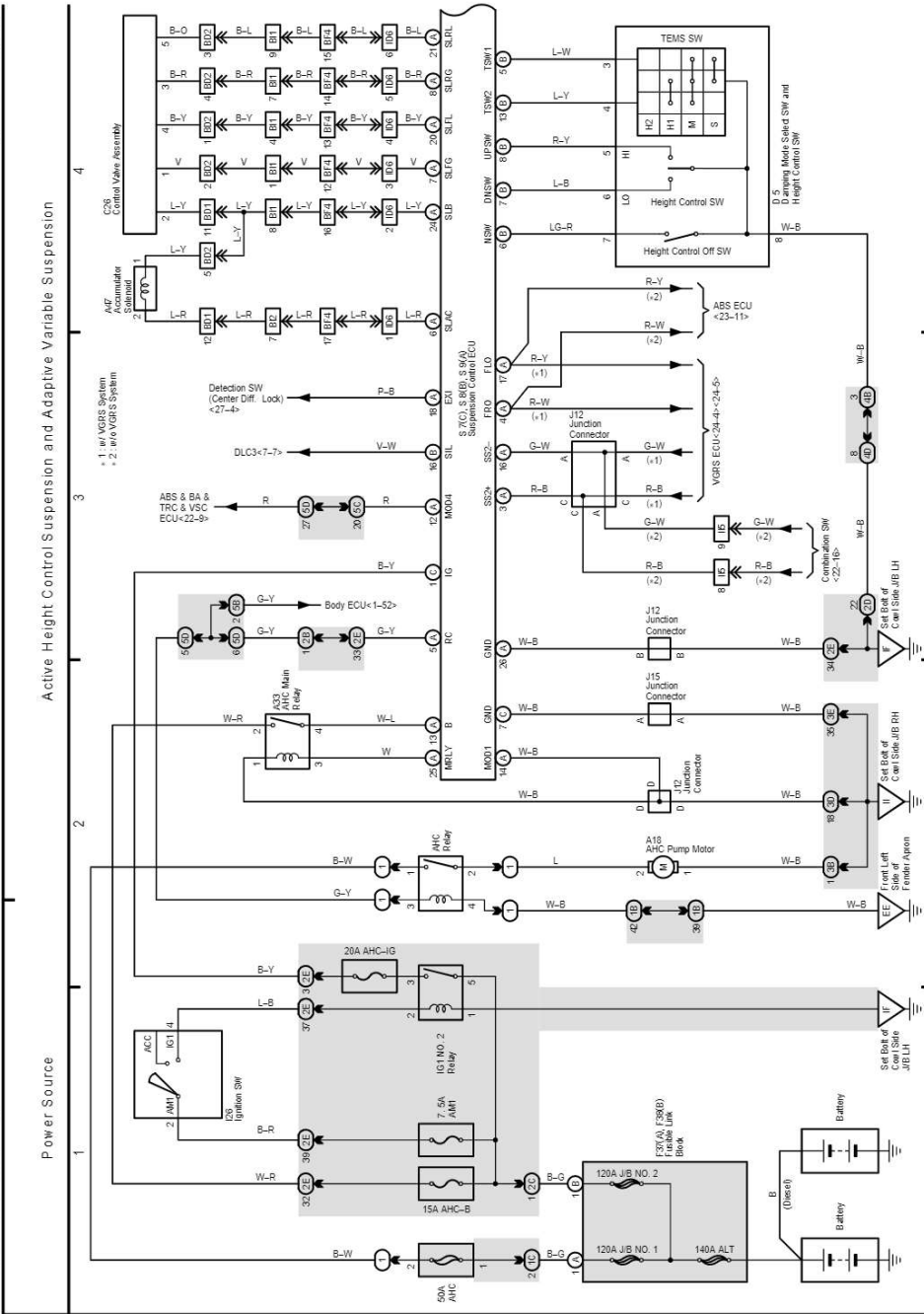
H OVERALL ELECTRICAL WIRING DIAGRAM

(Cont. next page)

24 LAND CRUISER (LHD)



cardiagn.com



cardiagn.com

SRS

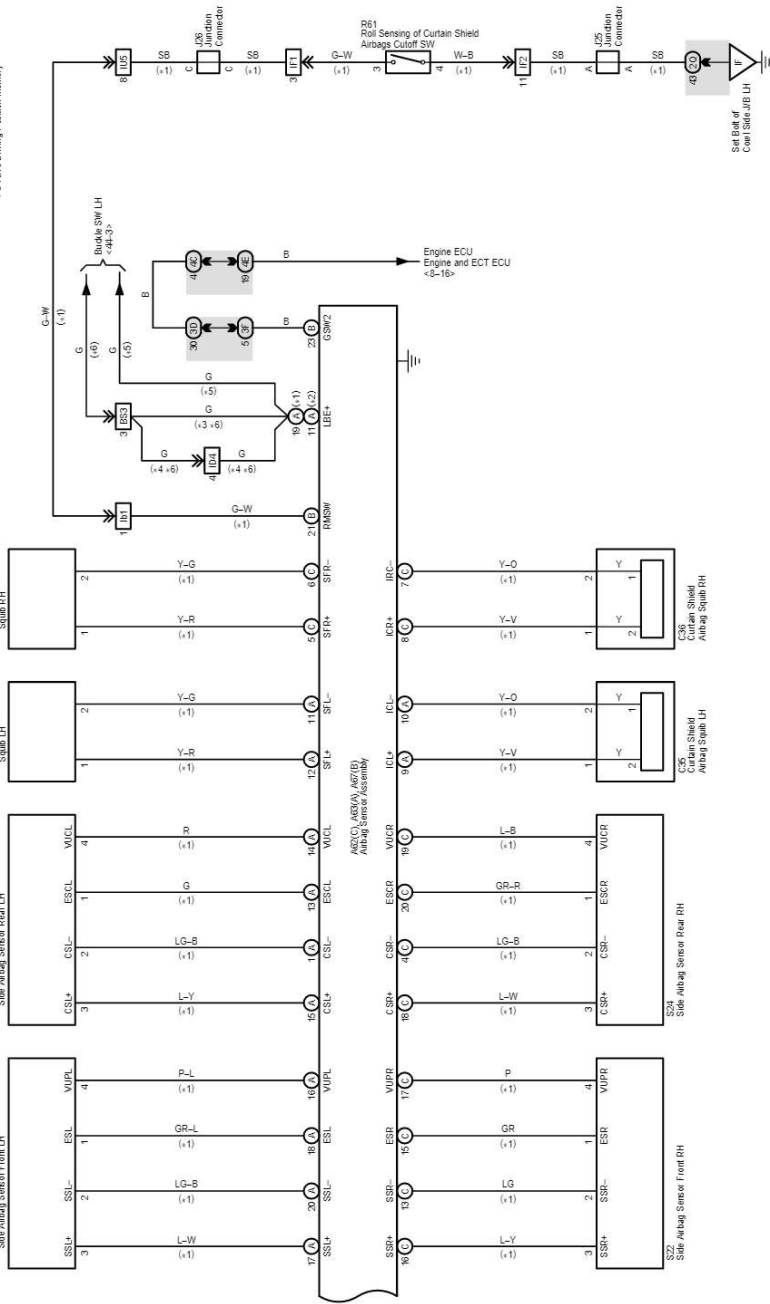
5

6

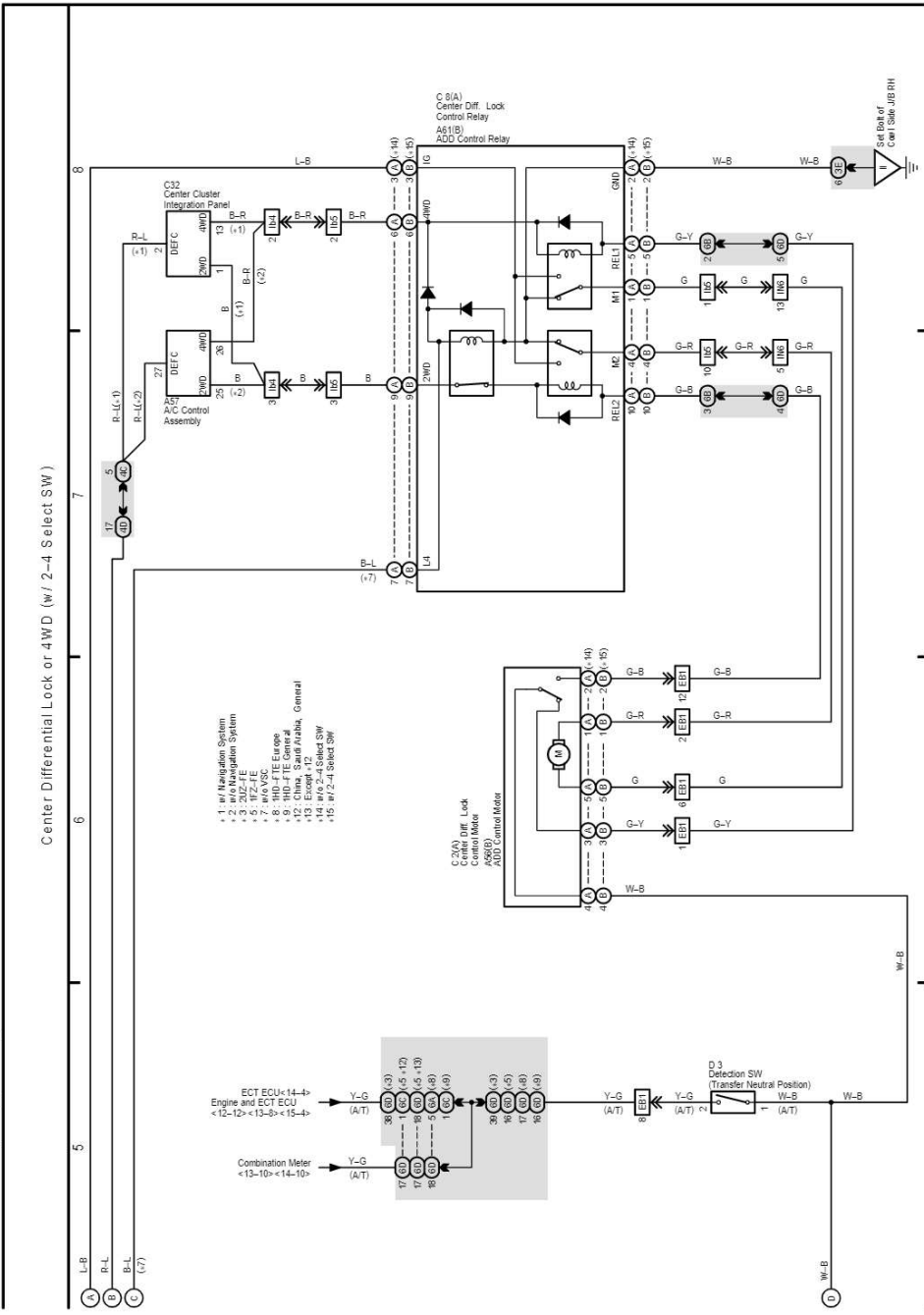
7

8

- *1: n/v Side Airbag
- *2: n/v Side Airbag
- *3: Separate Seat
- *4: n/v Driving Position Memory
- *5: n/v Driving Position Memory
- *6: n/v Dining Position Memory



cardiagn.com



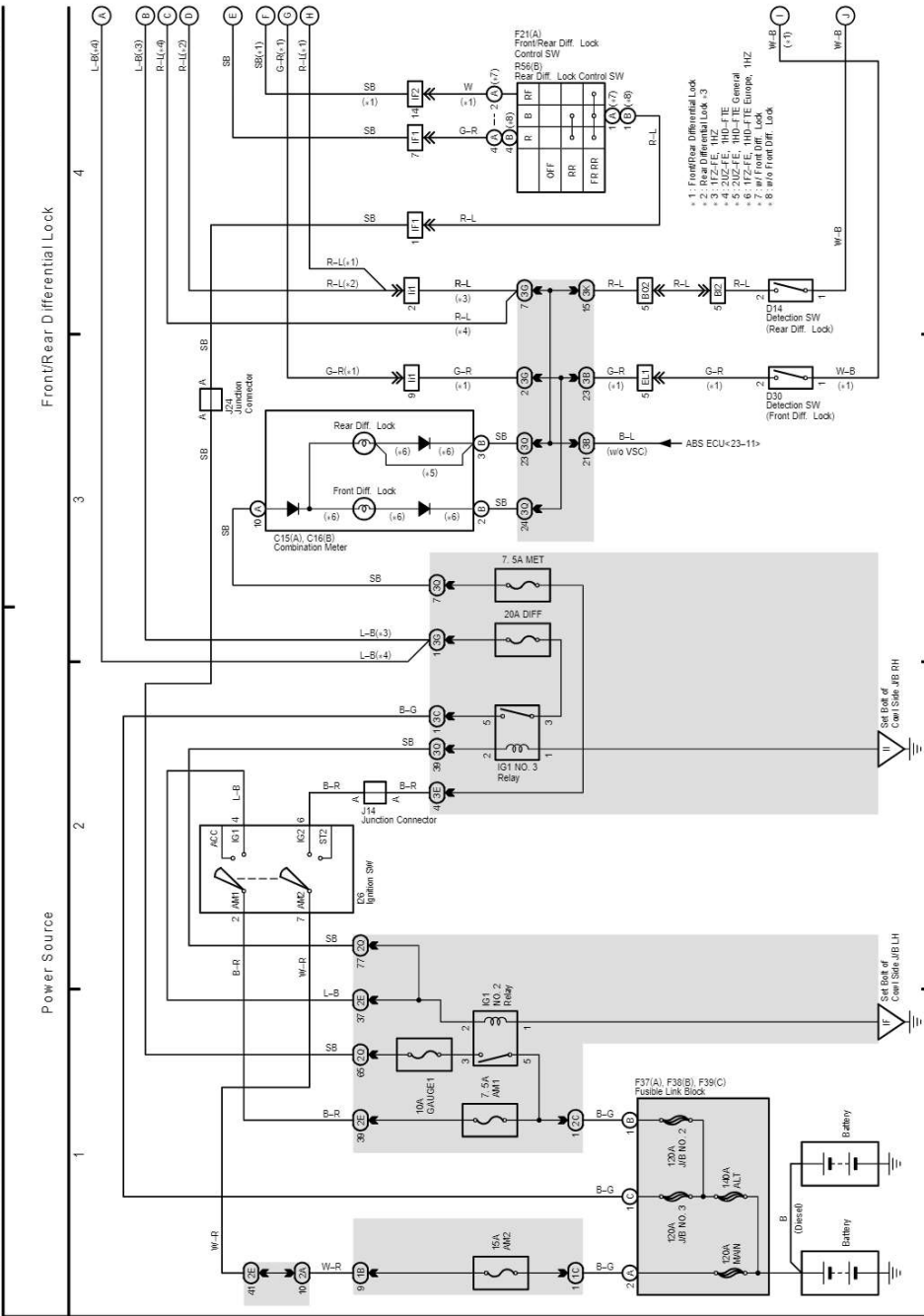
cardiagn.com

LAND CRUISER Station Wagon (EWD512E)

H OVERALL ELECTRICAL WIRING DIAGRAM

28 LAND CRUISER (LHD)

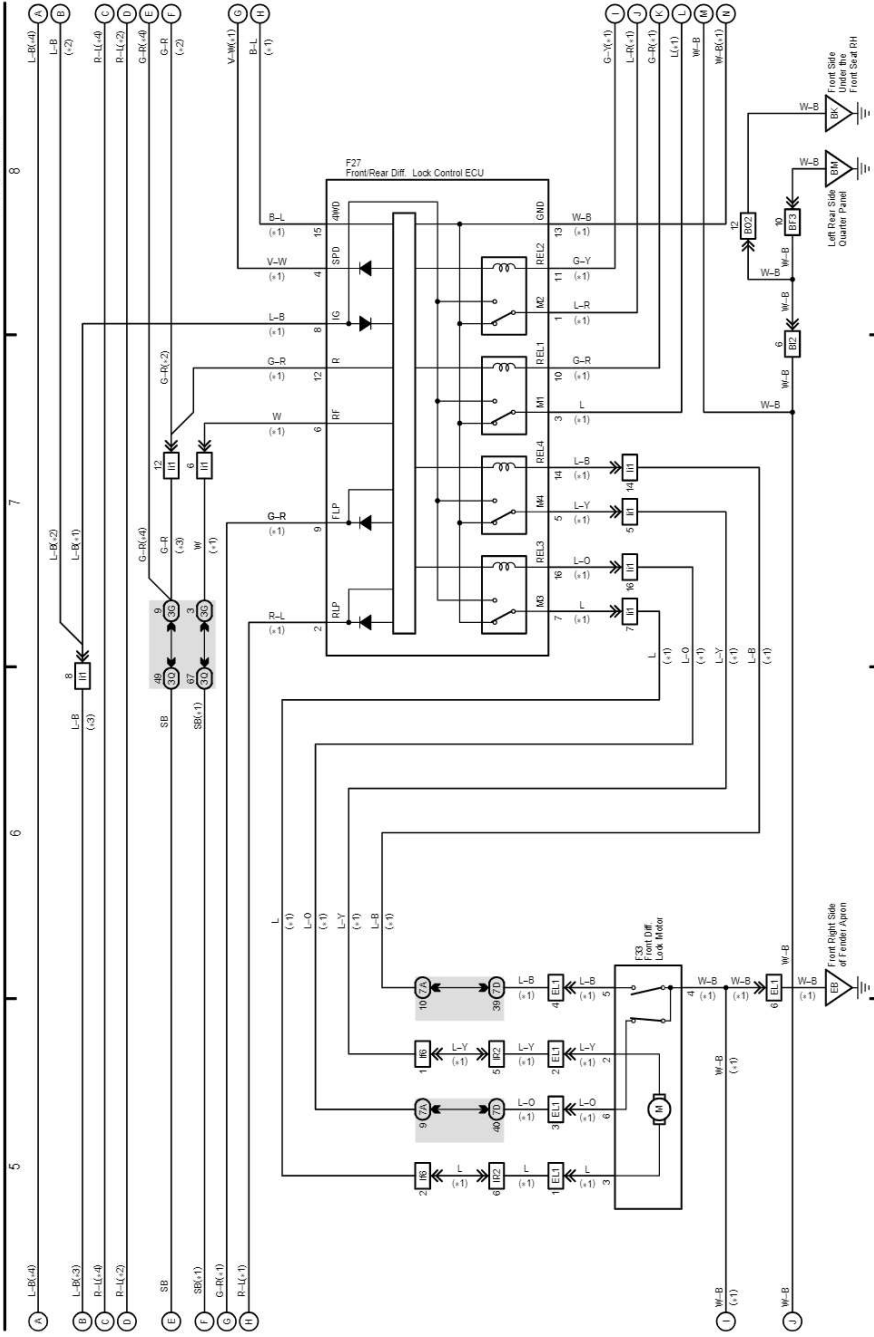
(Cont. next page)



cardiagn.com

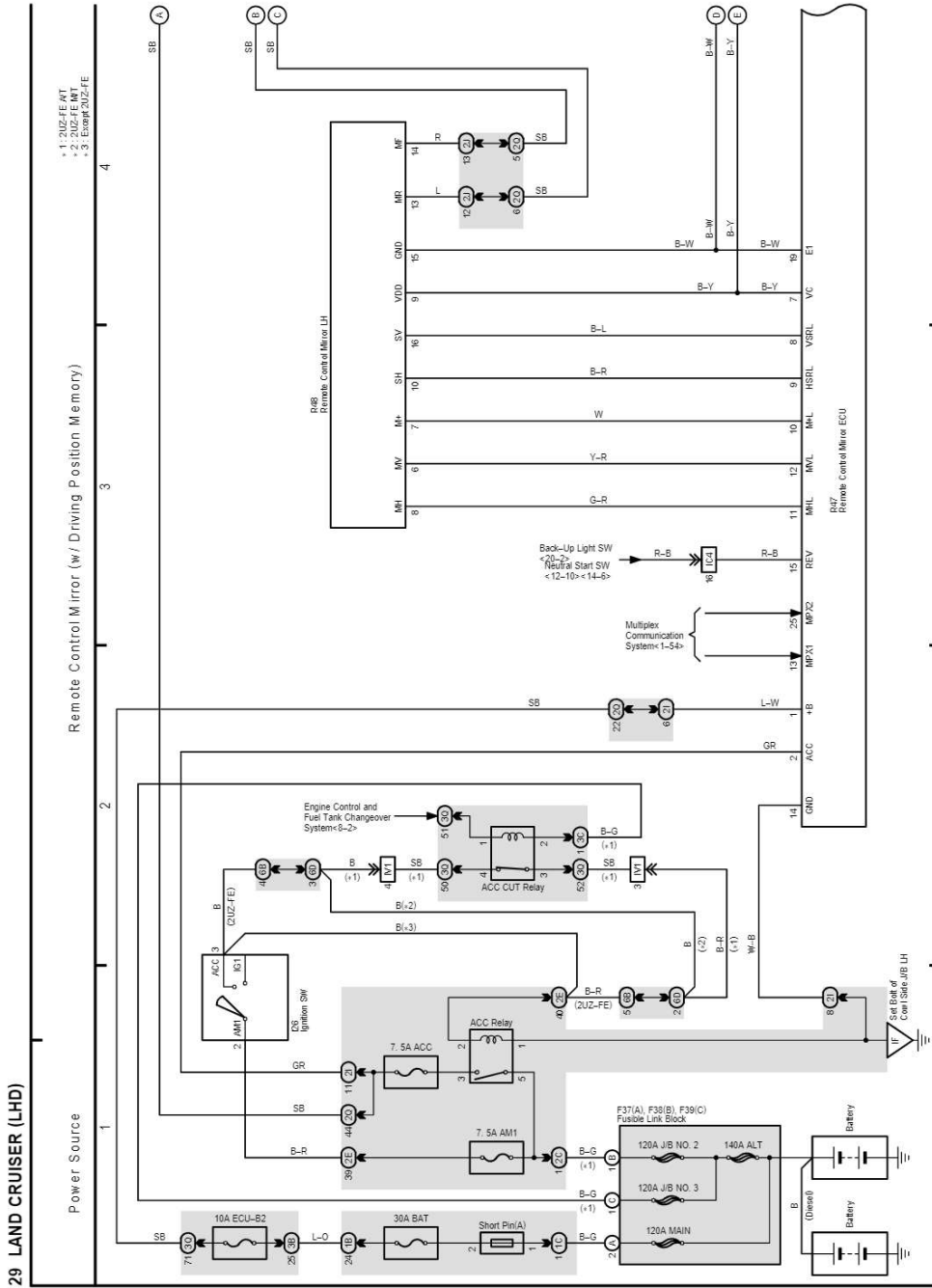
* 1: Front/Rear Differential Lock
* 2: Rear Differential Lock
* 3: IZ-FE, 1H2
* 4: 2007-FC, 1H0-7FE

Front/Rear Differential Lock



cardiagn.com

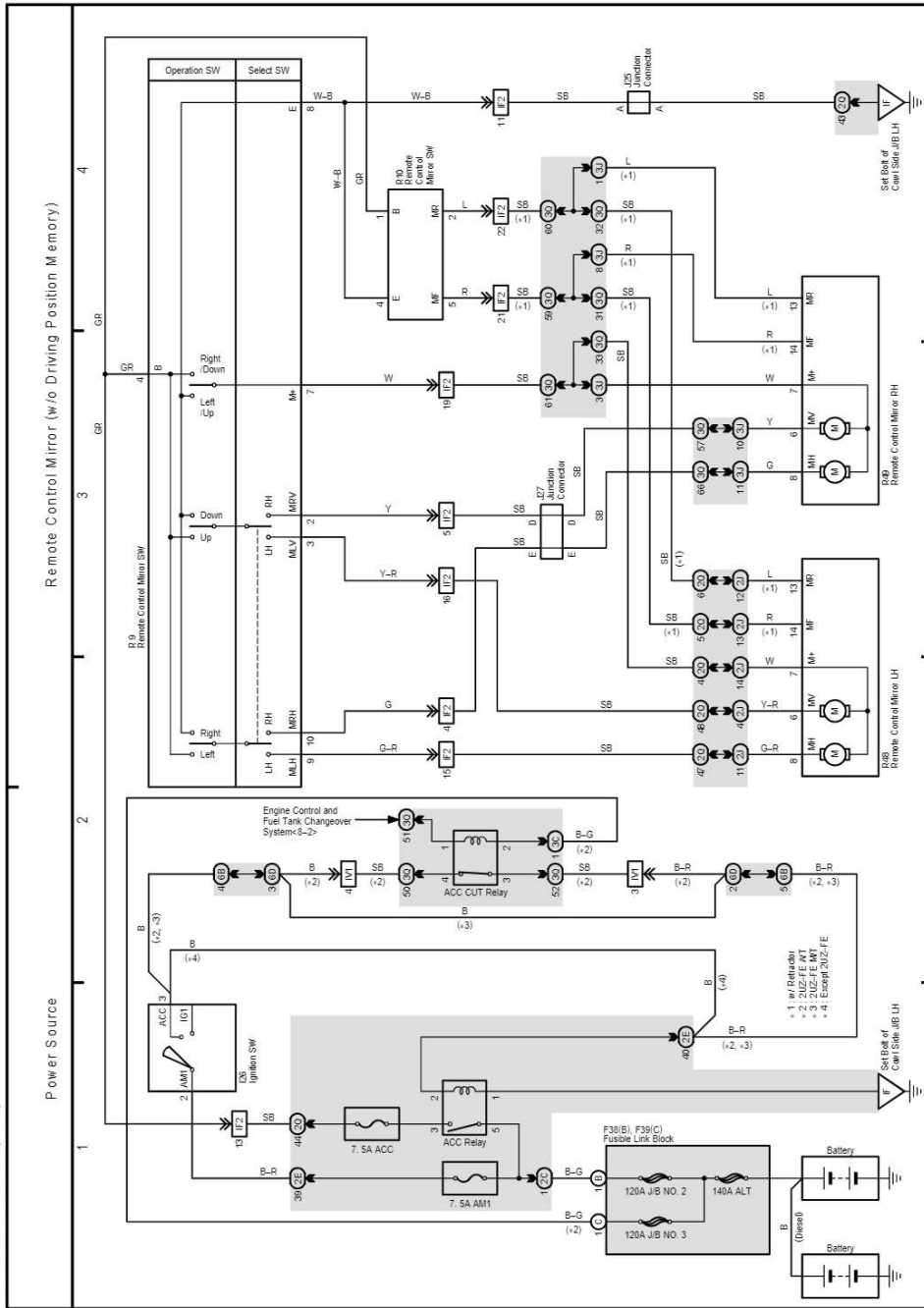
H OVERALL ELECTRICAL WIRING DIAGRAM



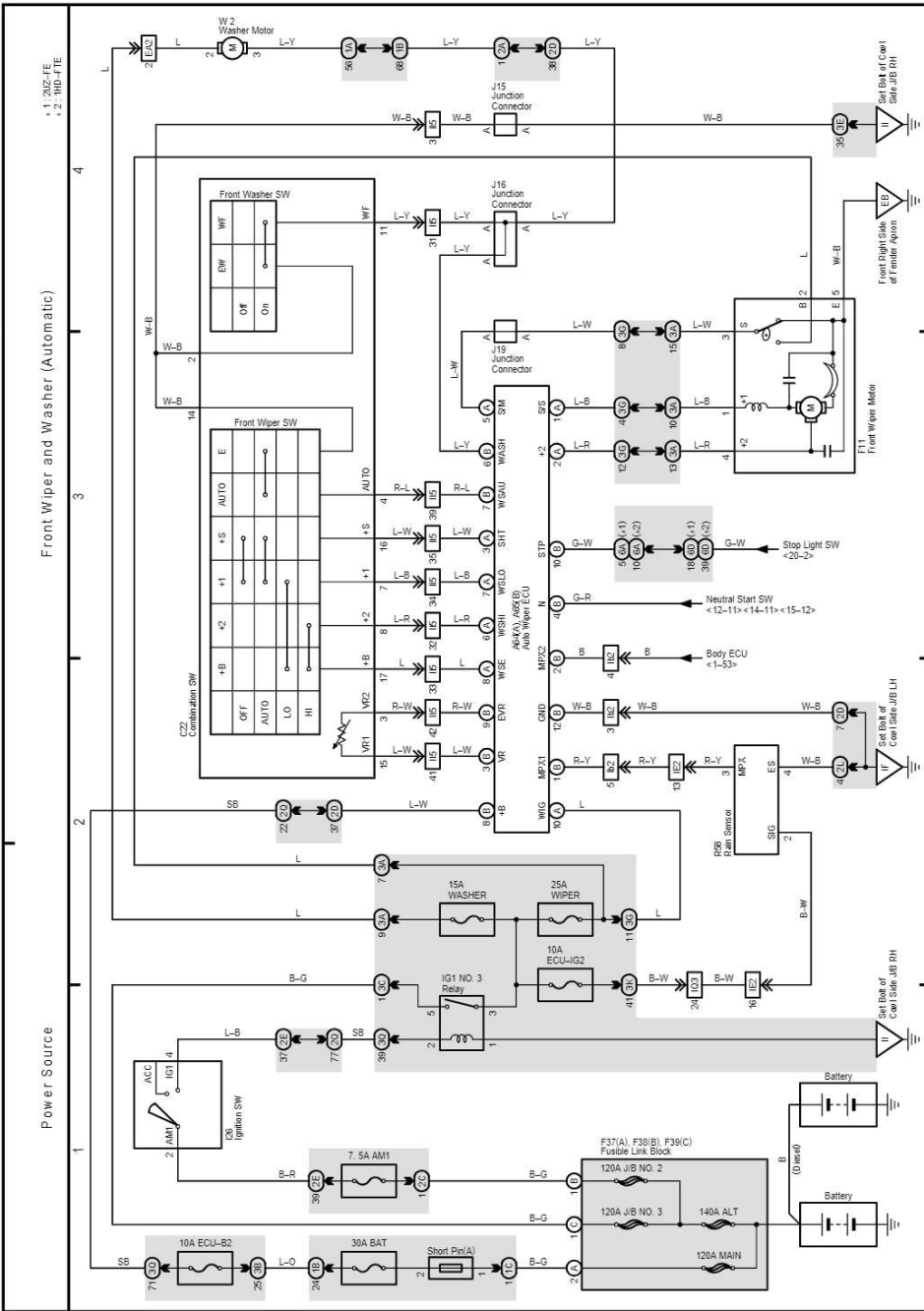
cardiagn.com

H OVERALL ELECTRICAL WIRING DIAGRAM

30 LAND CRUISER (LHD)

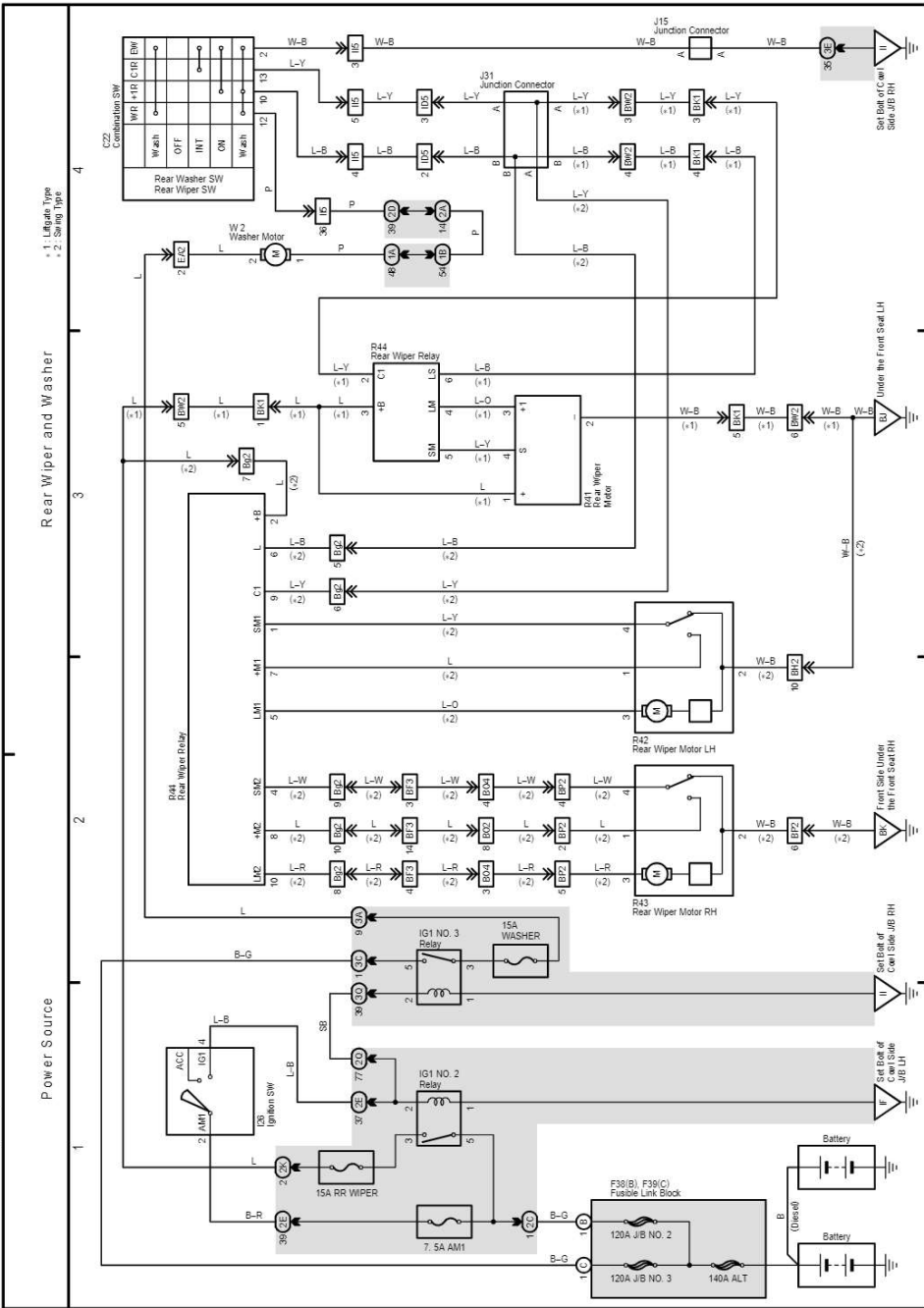


cardiagn.com



LAND CRUISER Station Wagon (EWD512E)

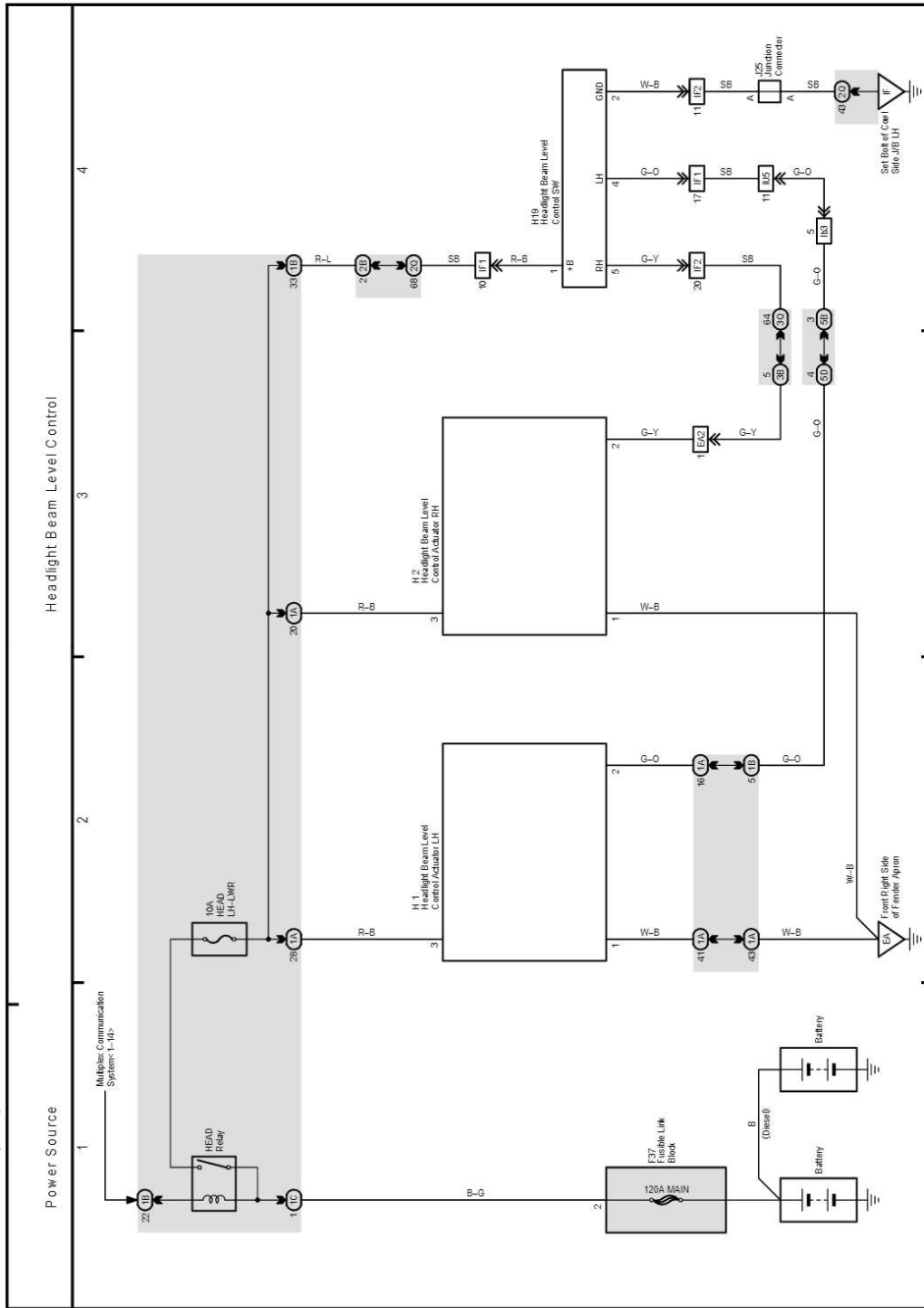
cardiagn.com



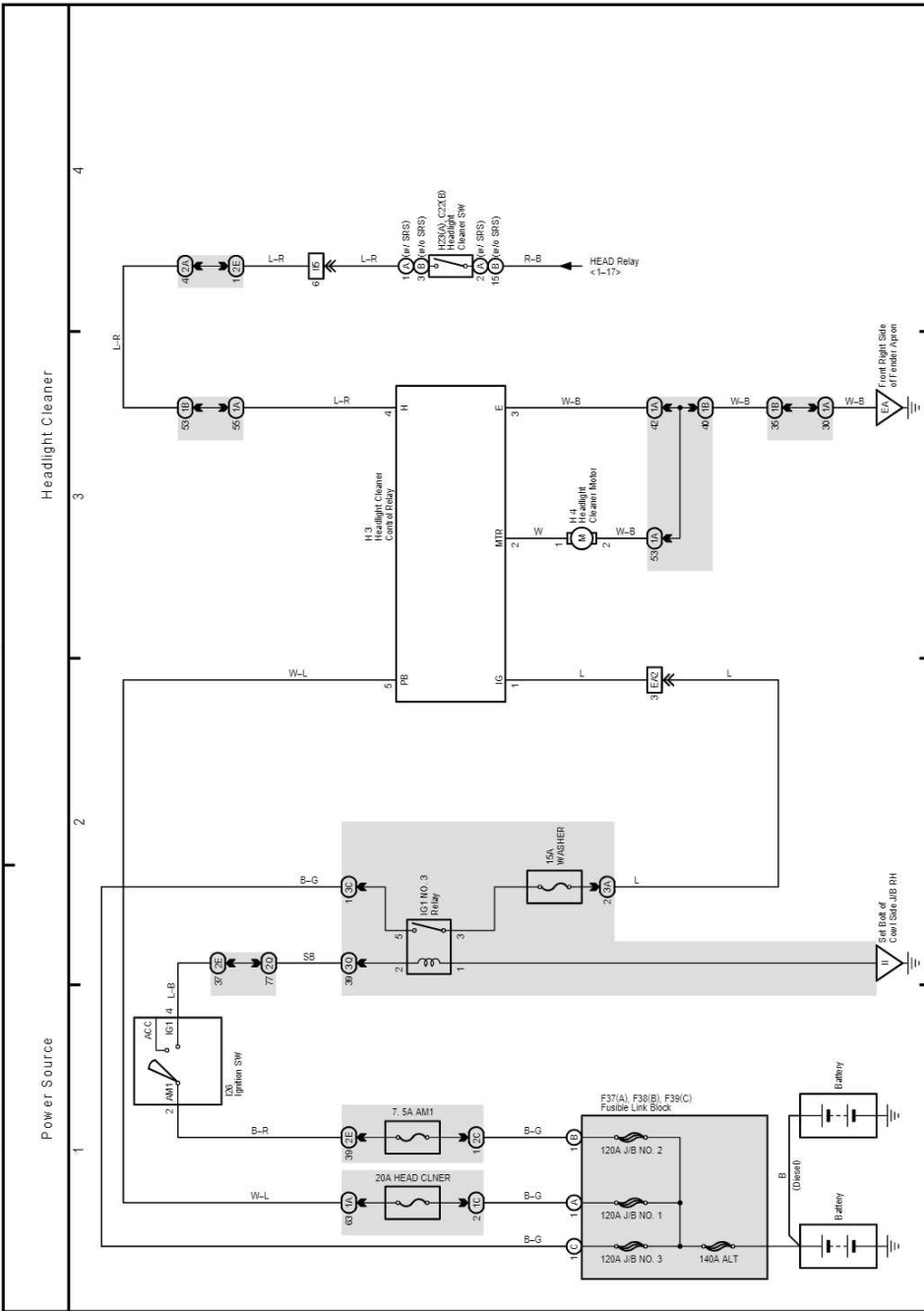
LAND CRUISER Station Wagon (EWD512E)

H OVERALL ELECTRICAL WIRING DIAGRAM

36 LAND CRUISER (LHD)



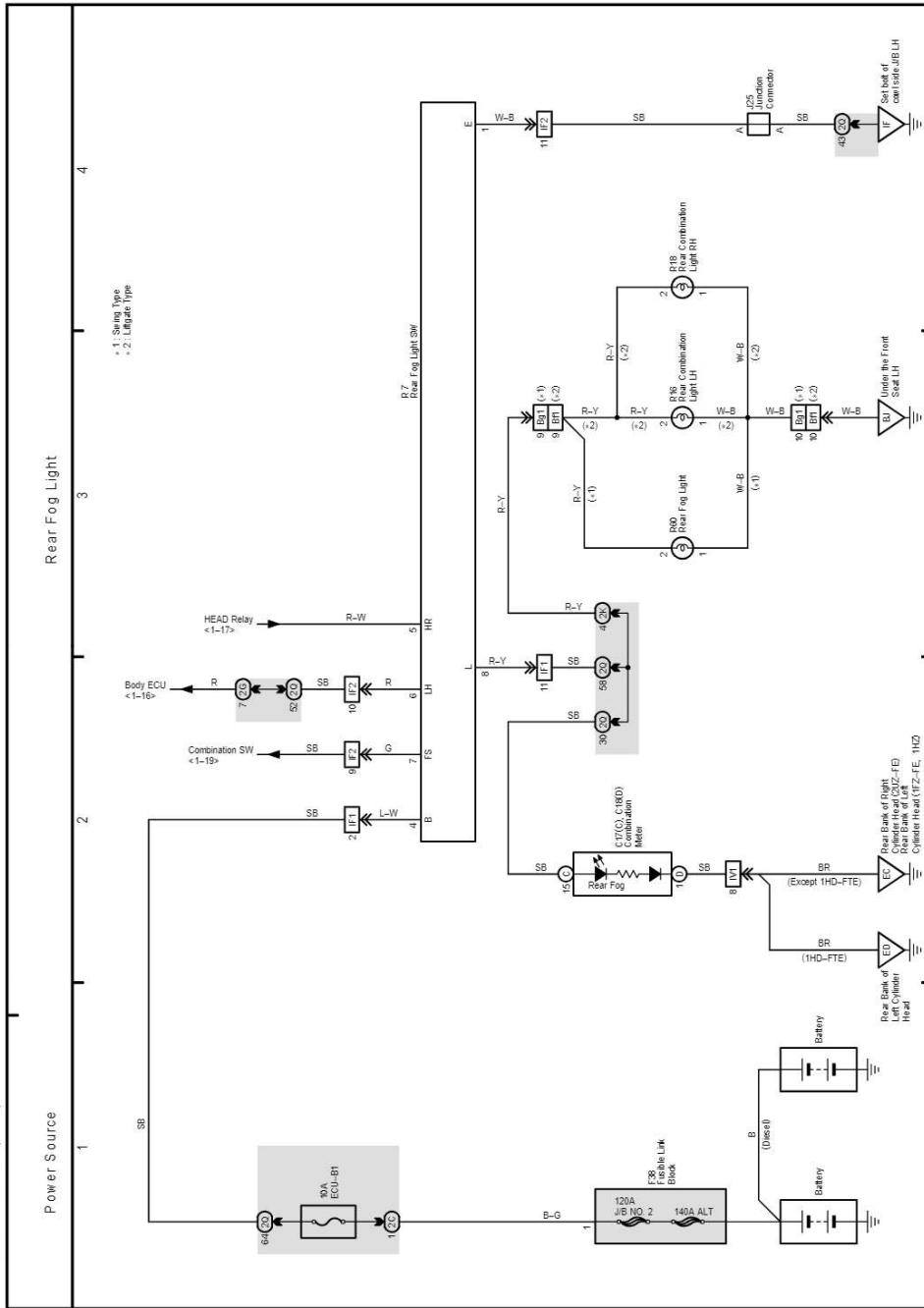
cardiagn.com



cardiagn.com

H OVERALL ELECTRICAL WIRING DIAGRAM

38 LAND CRUISER (LHD)

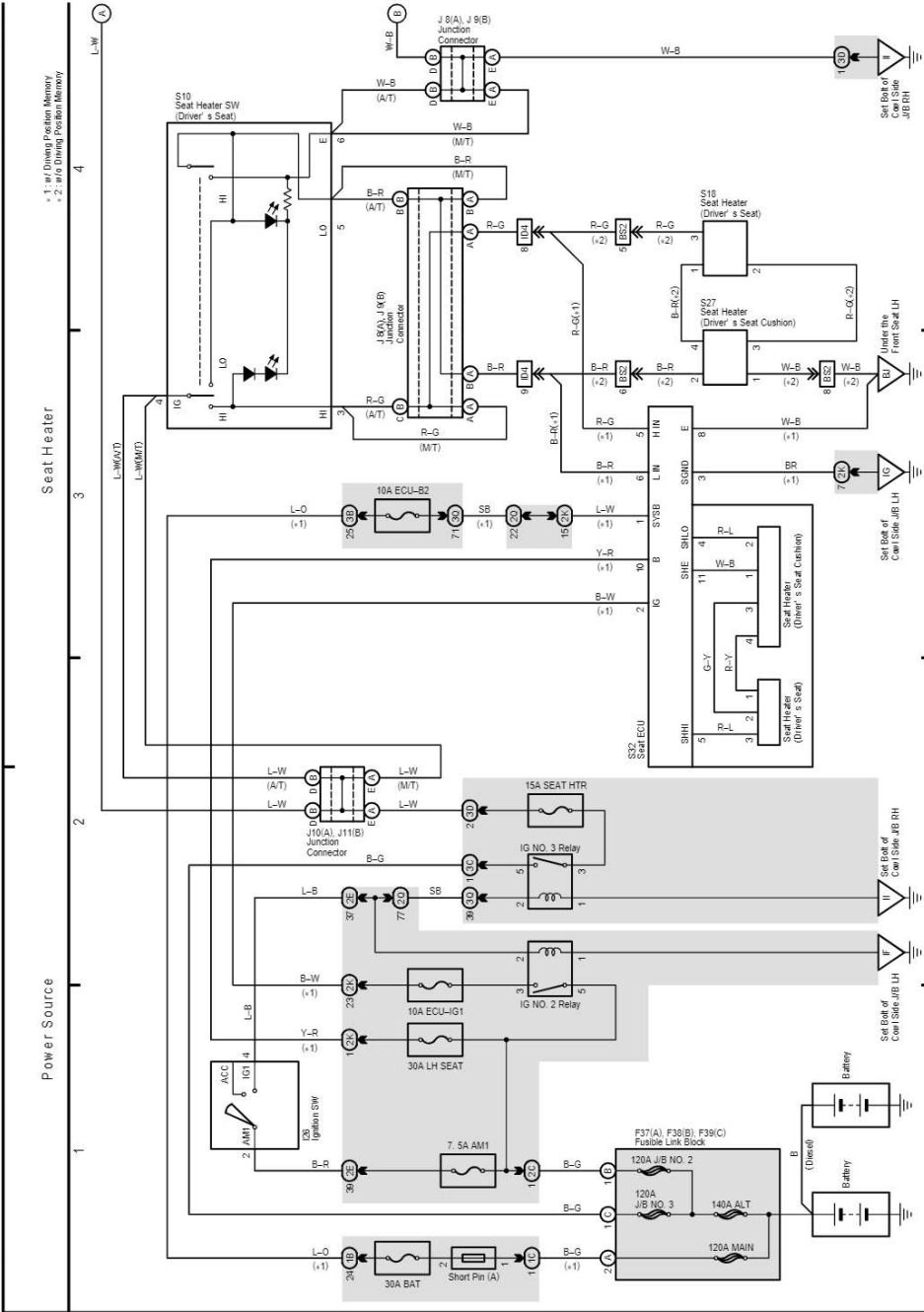


cardiagn.com

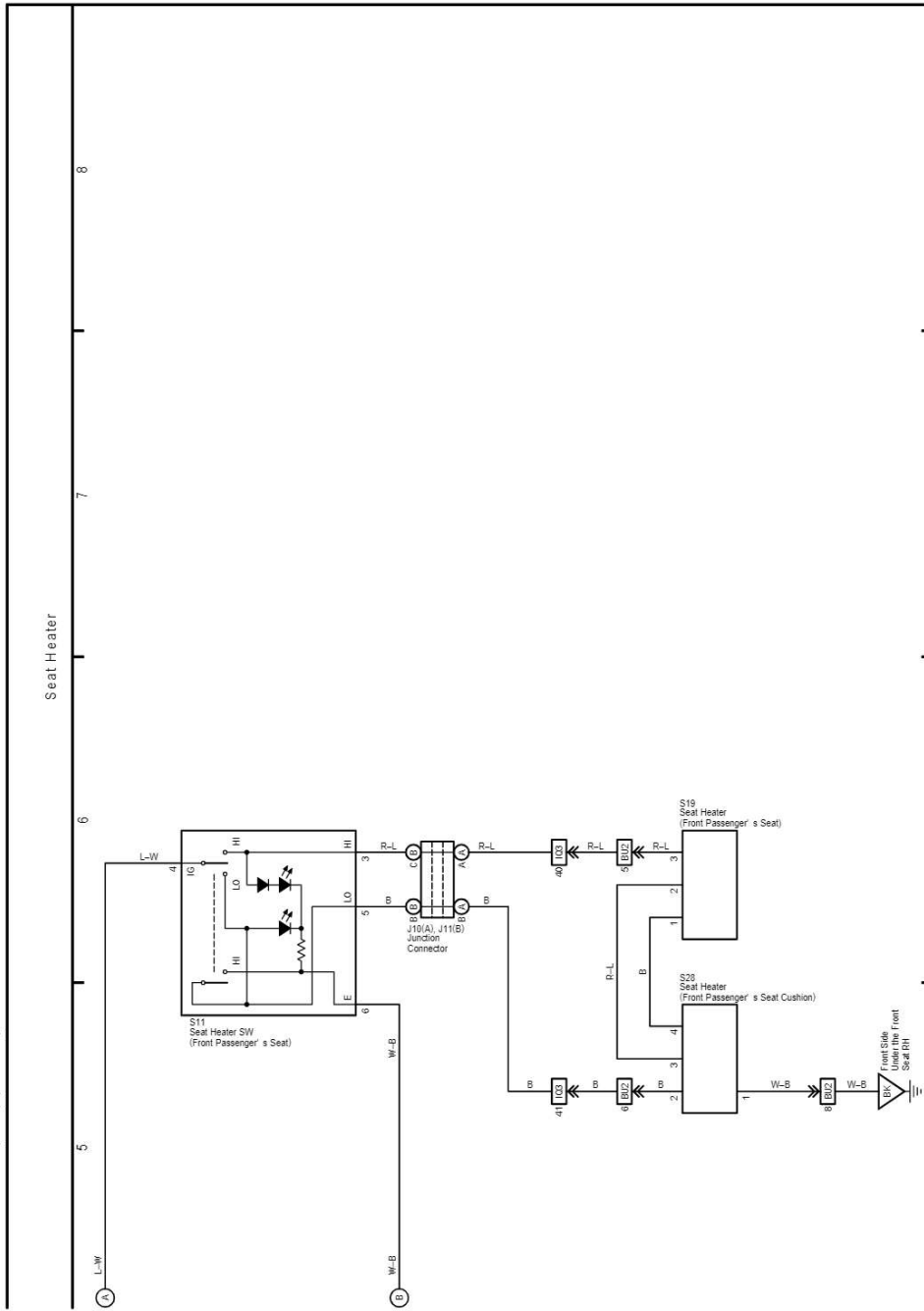
H OVERALL ELECTRICAL WIRING DIAGRAM

40 LAND CRUISER (LHD)

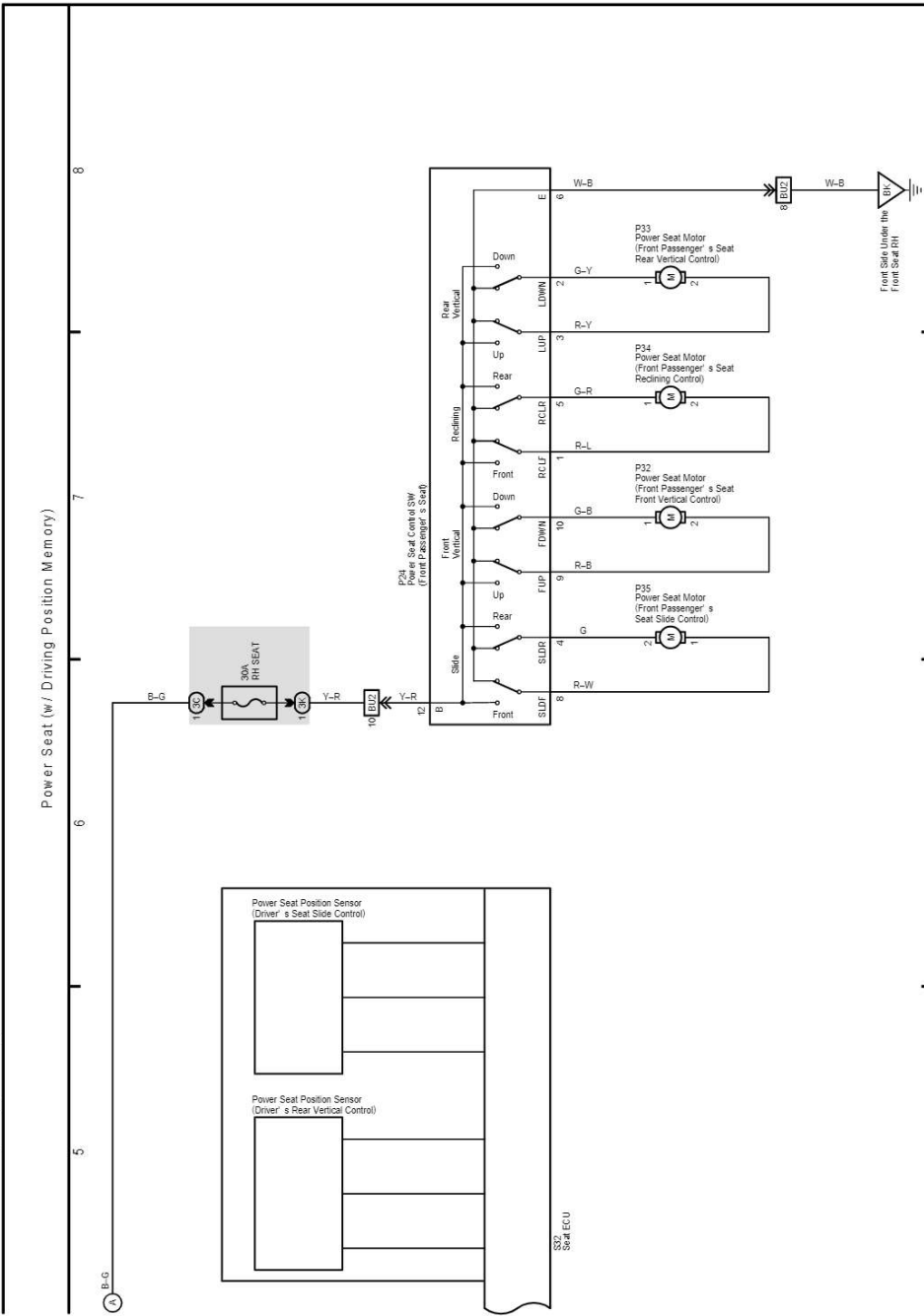
(Cont. next page)



cardiagn.com

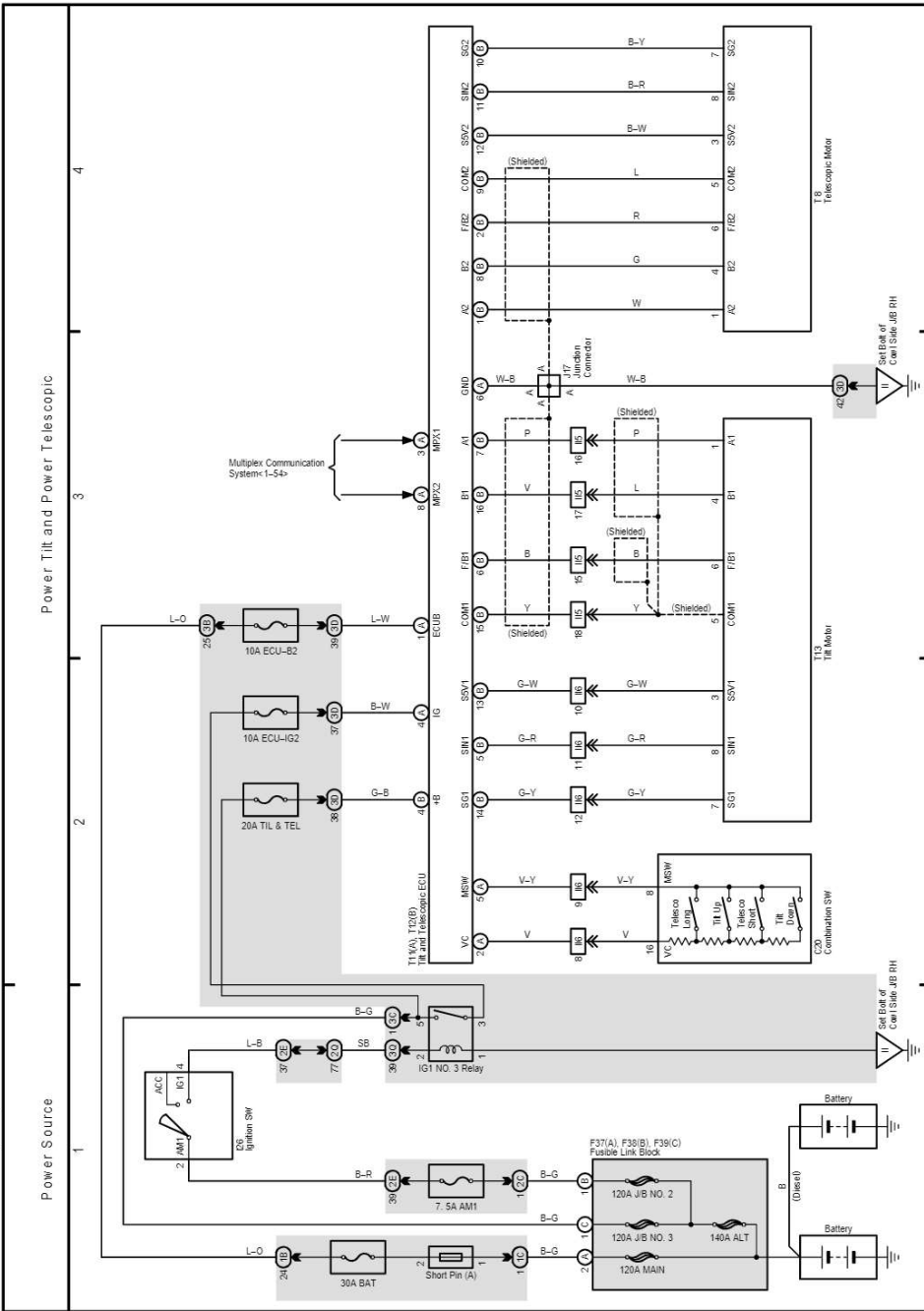


cardiagn.com



cardiagn.com

LAND CRUISER Station Wagon (EWD512E)

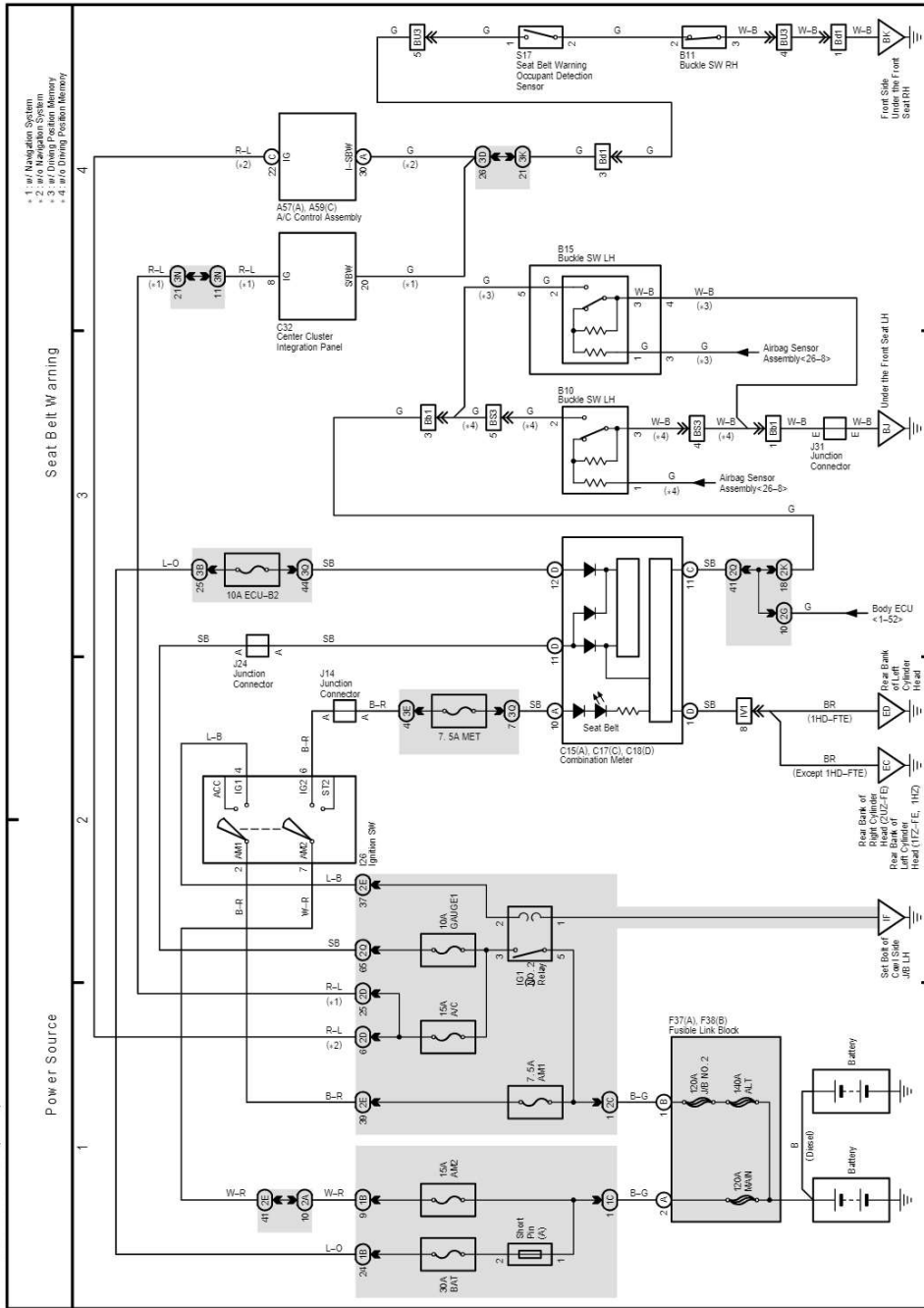


cardiagn.com

LAND CRUISER Station Wagon (EWD512E)

H OVERALL ELECTRICAL WIRING DIAGRAM

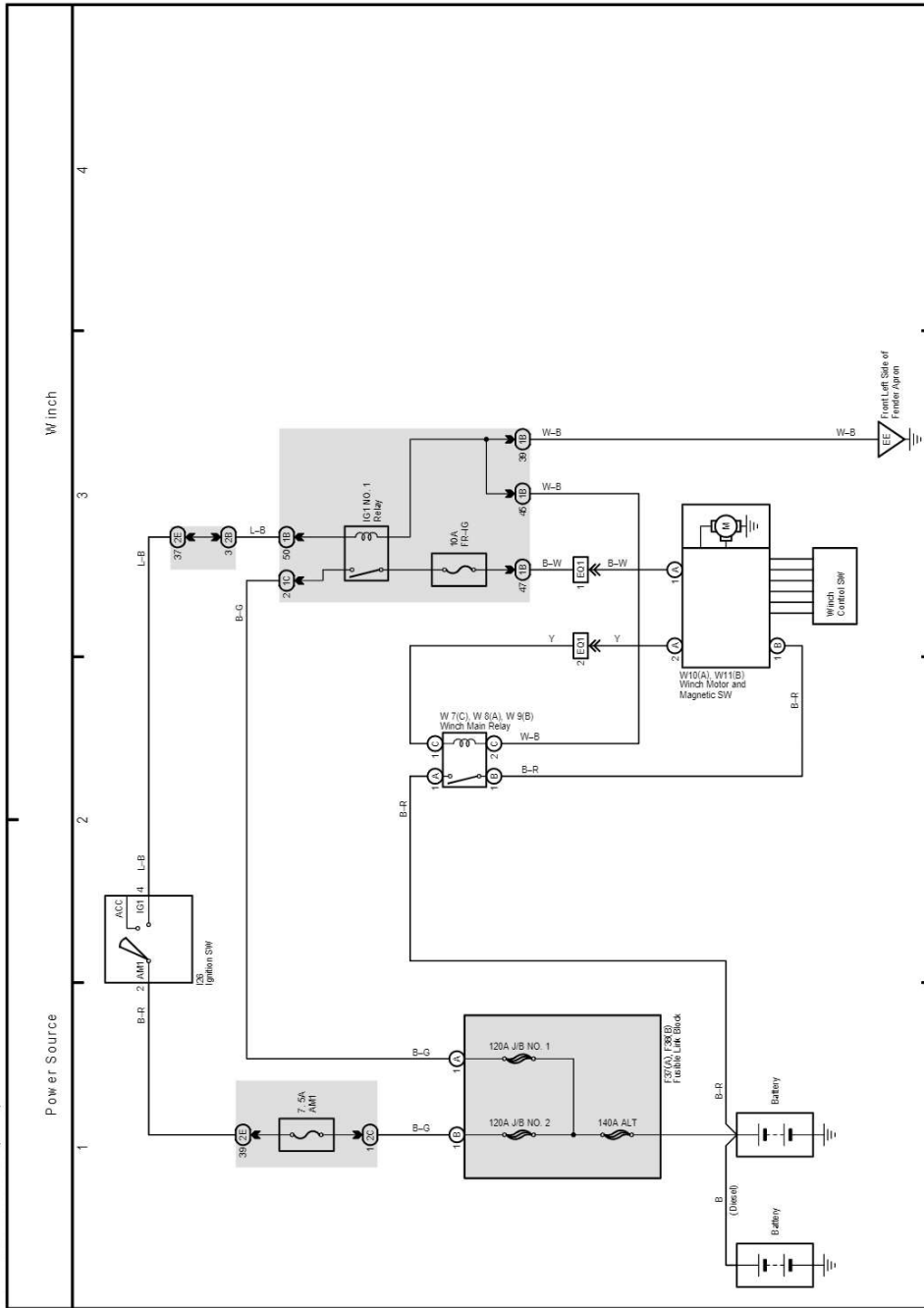
44 LAND CRUISER (LHD)



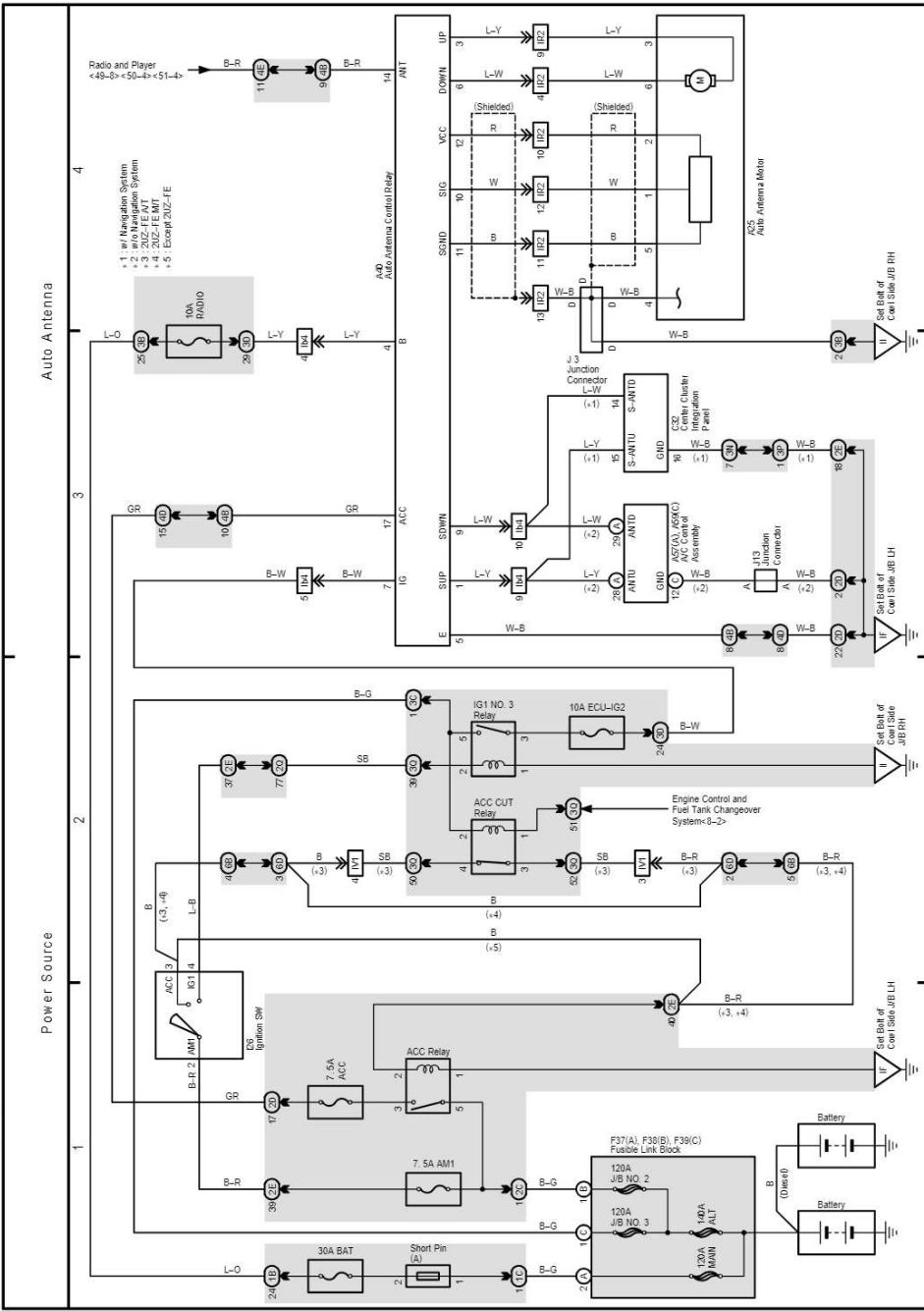
cardiagn.com

H OVERALL ELECTRICAL WIRING DIAGRAM

46 LAND CRUISER (LHD)



cardiagn.com

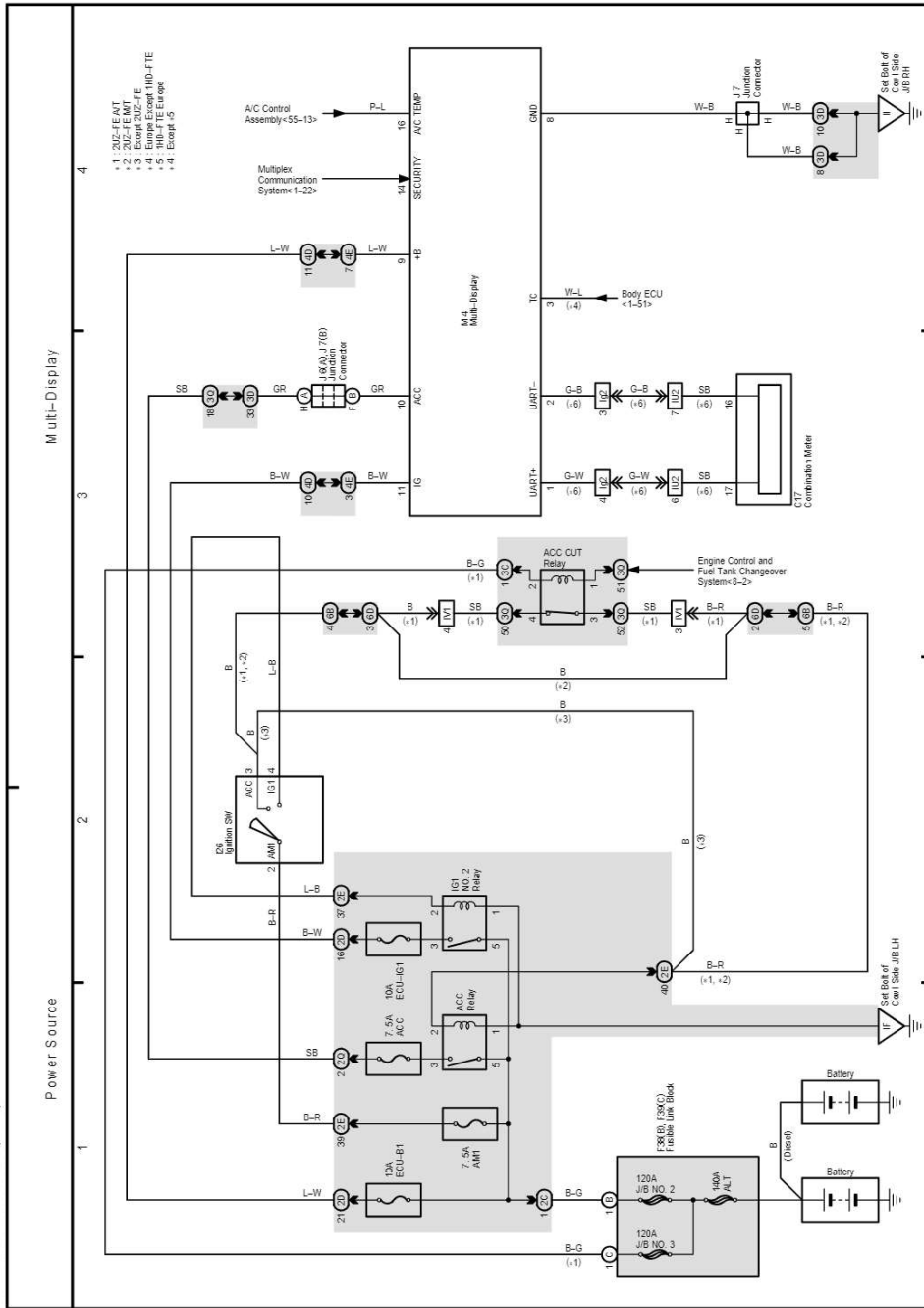


LAND CRUISER Station Wagon (EWD512E)

cardiagn.com

H OVERALL ELECTRICAL WIRING DIAGRAM

48 LAND CRUISER (LHD)



cardiagn.com

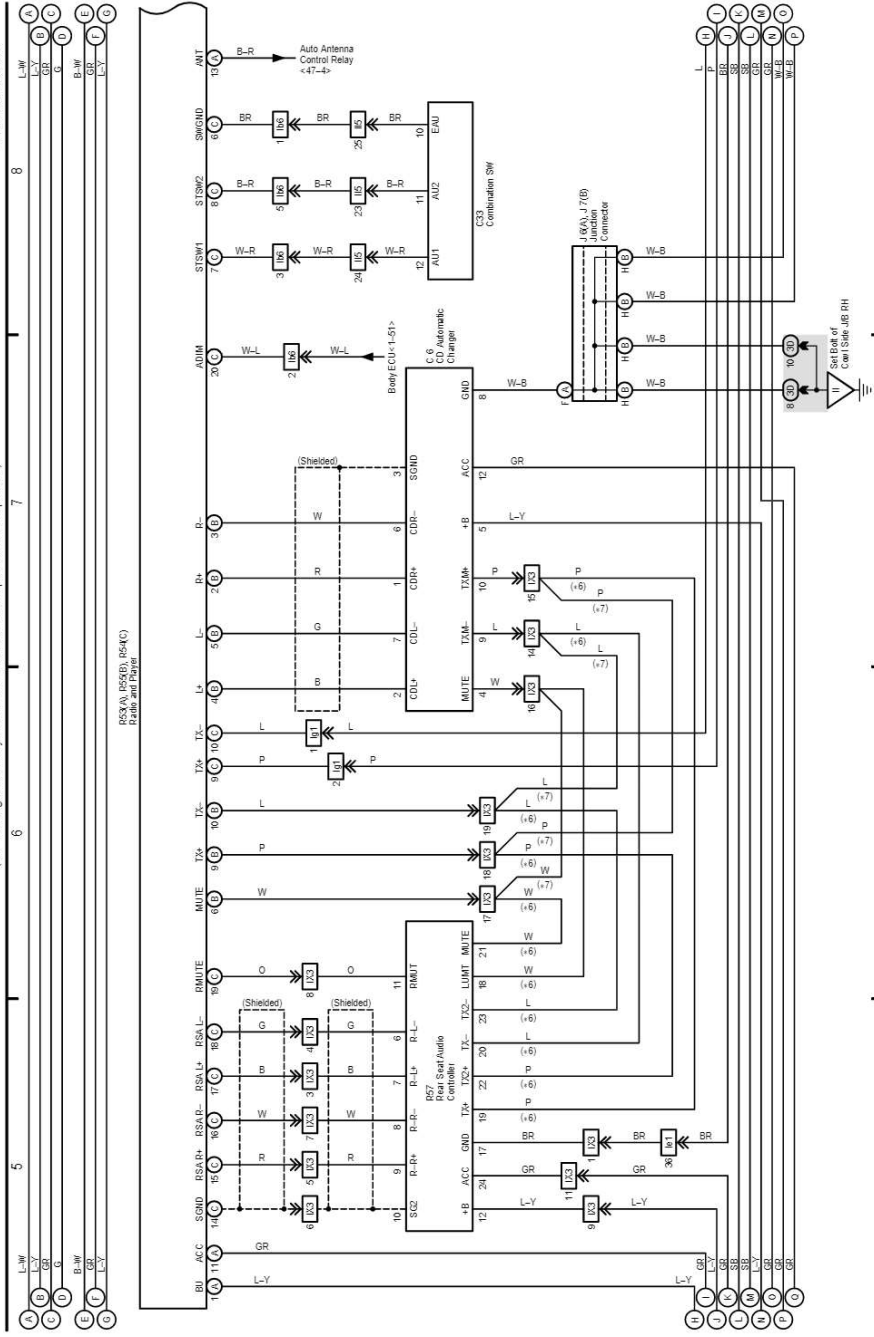
H OVERALL ELECTRICAL WIRING DIAGRAM

49 LAND CRUISER (LHD) (Cont' d)

(Cont. next page)

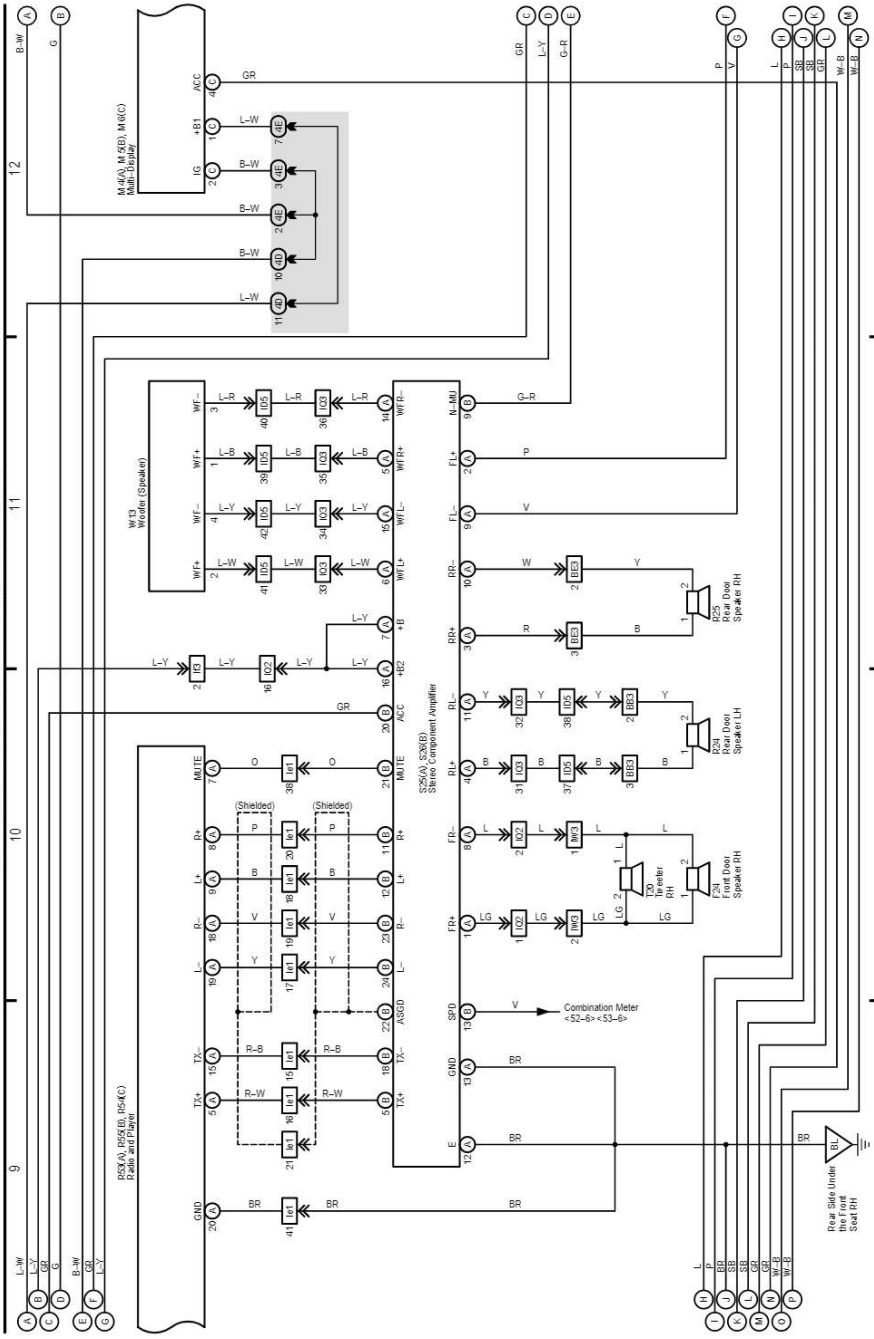
Navigation System, Radio and Player
(w/ Navigation System w/ Stereo Component Amplifier)

* 6 w/ Rear Seat Audio
* 7 w/ Rear Seat Audio



cardiagn.com

Navigation System, Radio and Player
(w/ Navigation System w/ Stereo Component Amplifier)



cardiagn.com

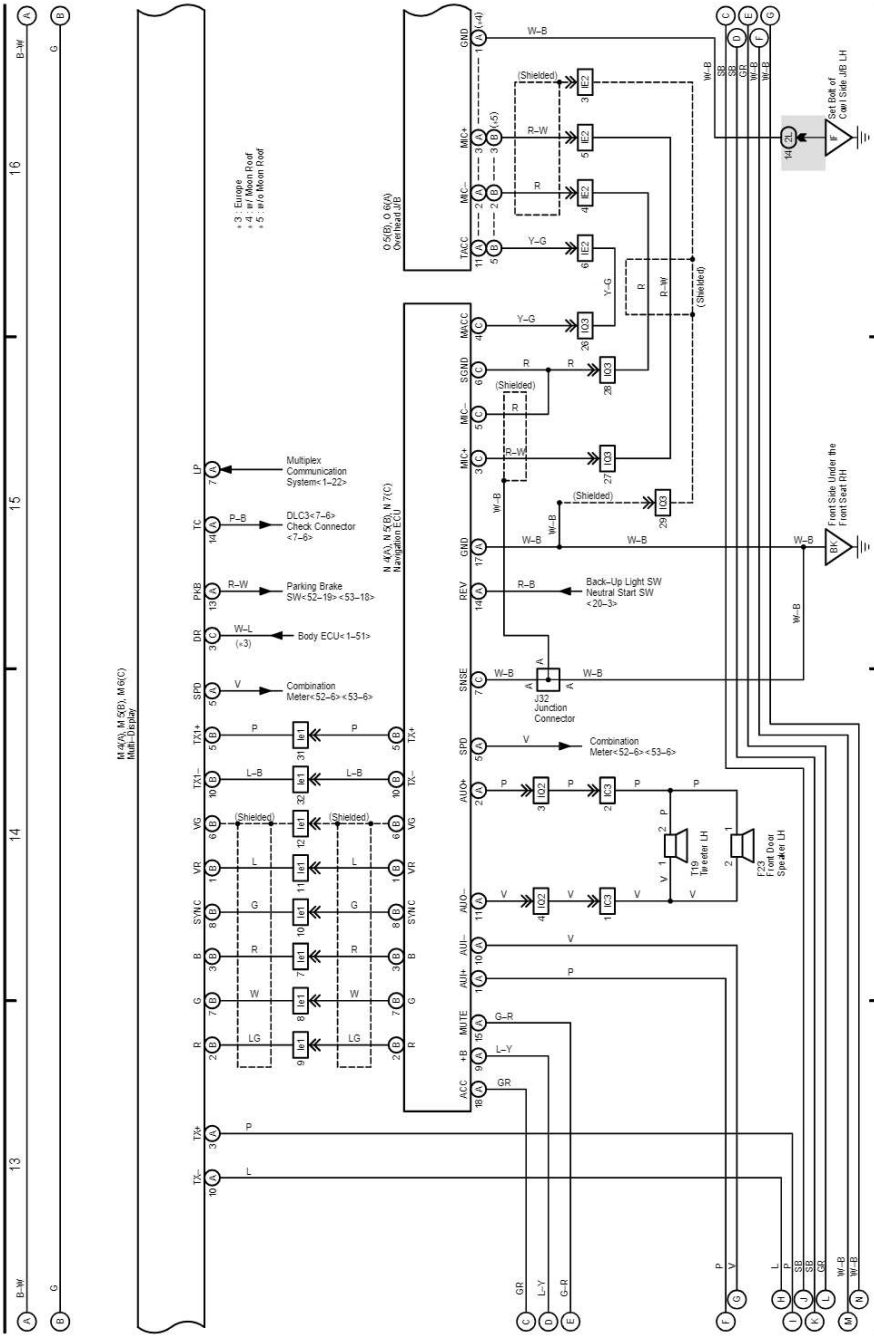
LAND CRUISER Station Wagon (EWD512E)

H OVERALL ELECTRICAL WIRING DIAGRAM

(Cont. next page)

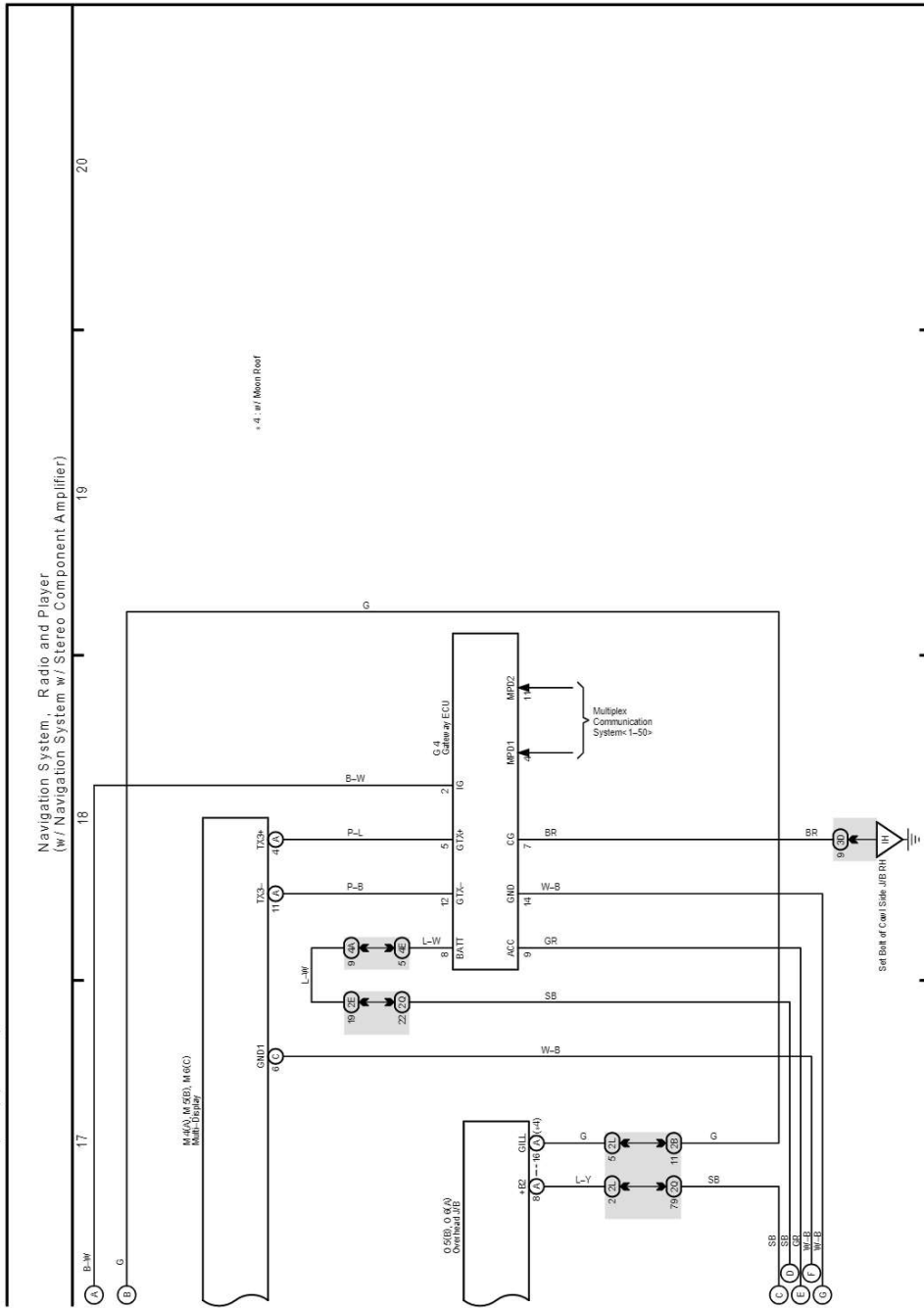
49 LAND CRUISER (LHD) (Cont' d)

Navigation System, Radio and Player (w/ Navigation System w/ Stereo Component Amplifier)



cardiagn.com

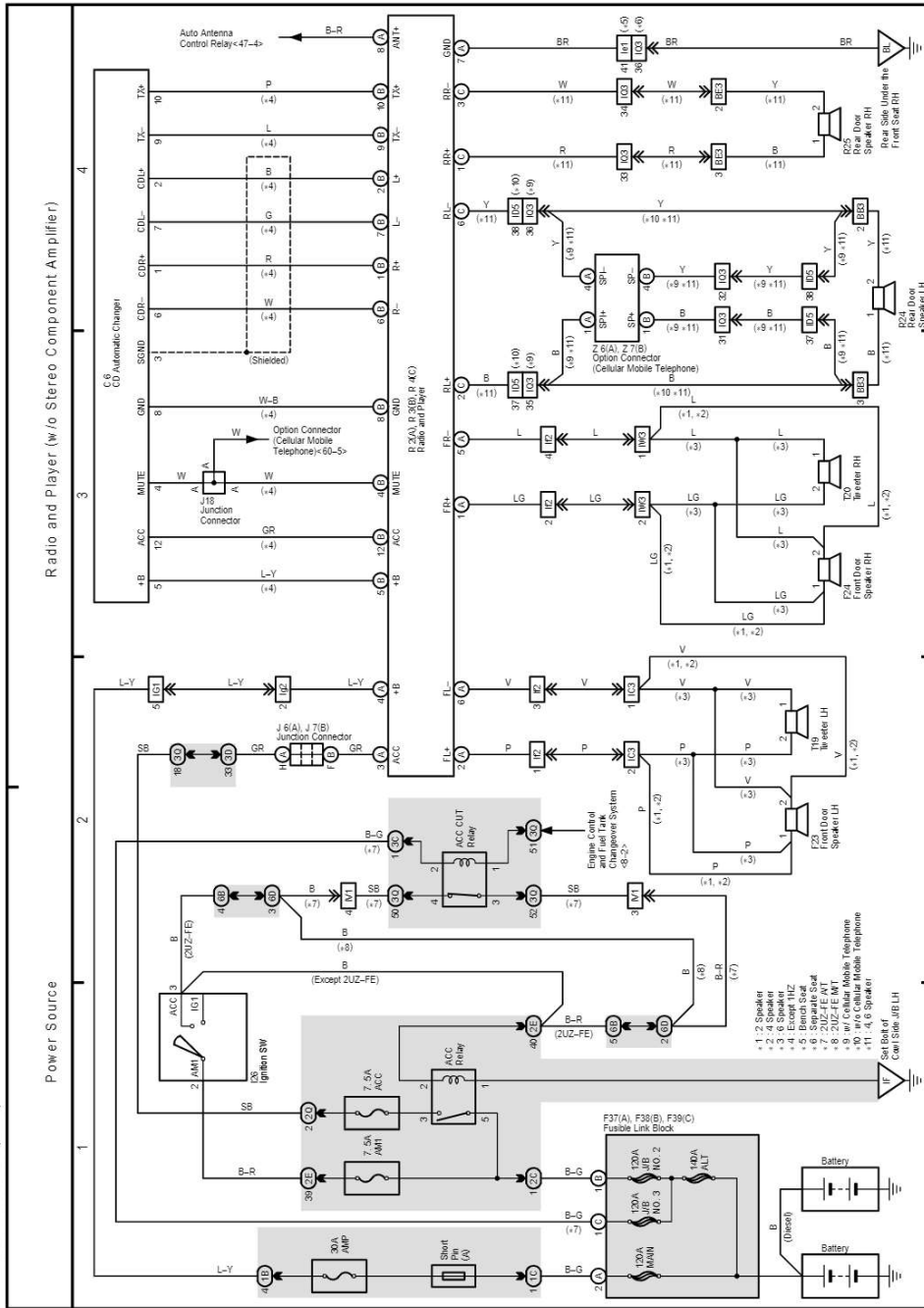
49 LAND CRUISER (LHD) (Cont'd)



LAND CRUISER Station Wagon (EWD512E)

H OVERALL ELECTRICAL WIRING DIAGRAM

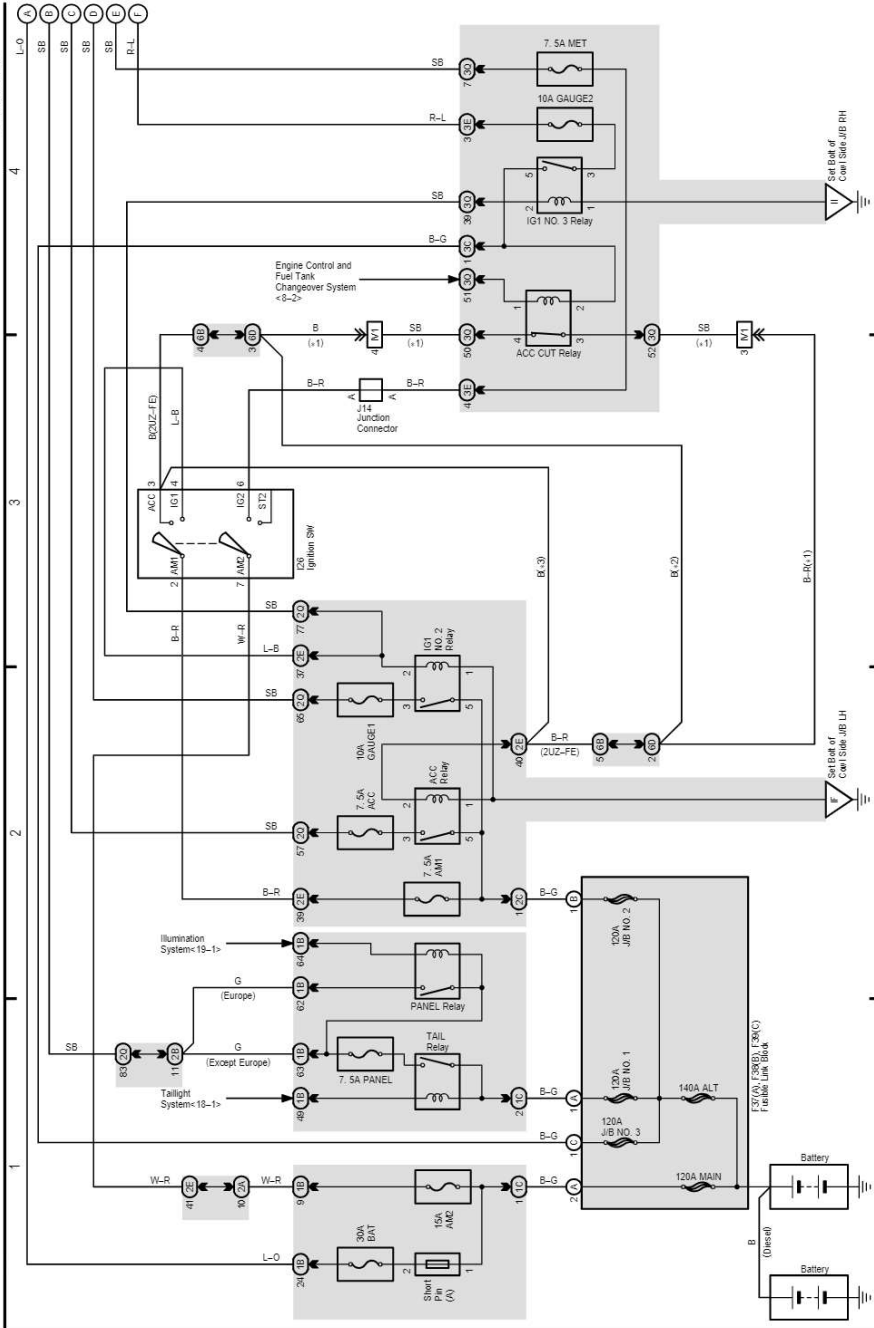
51 LAND CRUISER (LHD)



cardiagn.com

*1: 20ZFE INT
*2: 20ZFE INT
*3: Exempt 20ZFE

Power Source



cardiagn.com

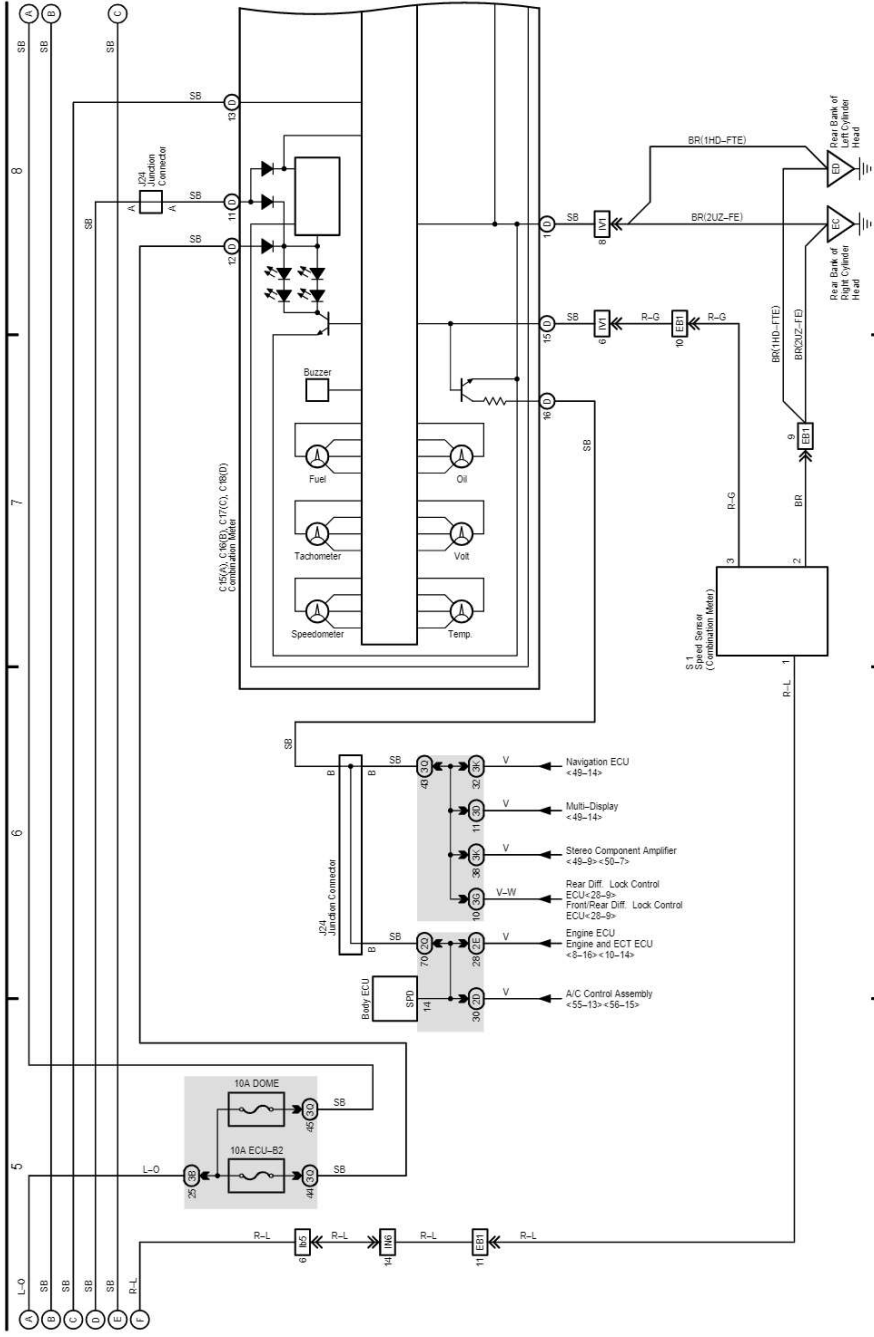
LAND CRUISER Station Wagon (EWD512E)

H OVERALL ELECTRICAL WIRING DIAGRAM

52 LAND CRUISER (LHD) (Cont' d)

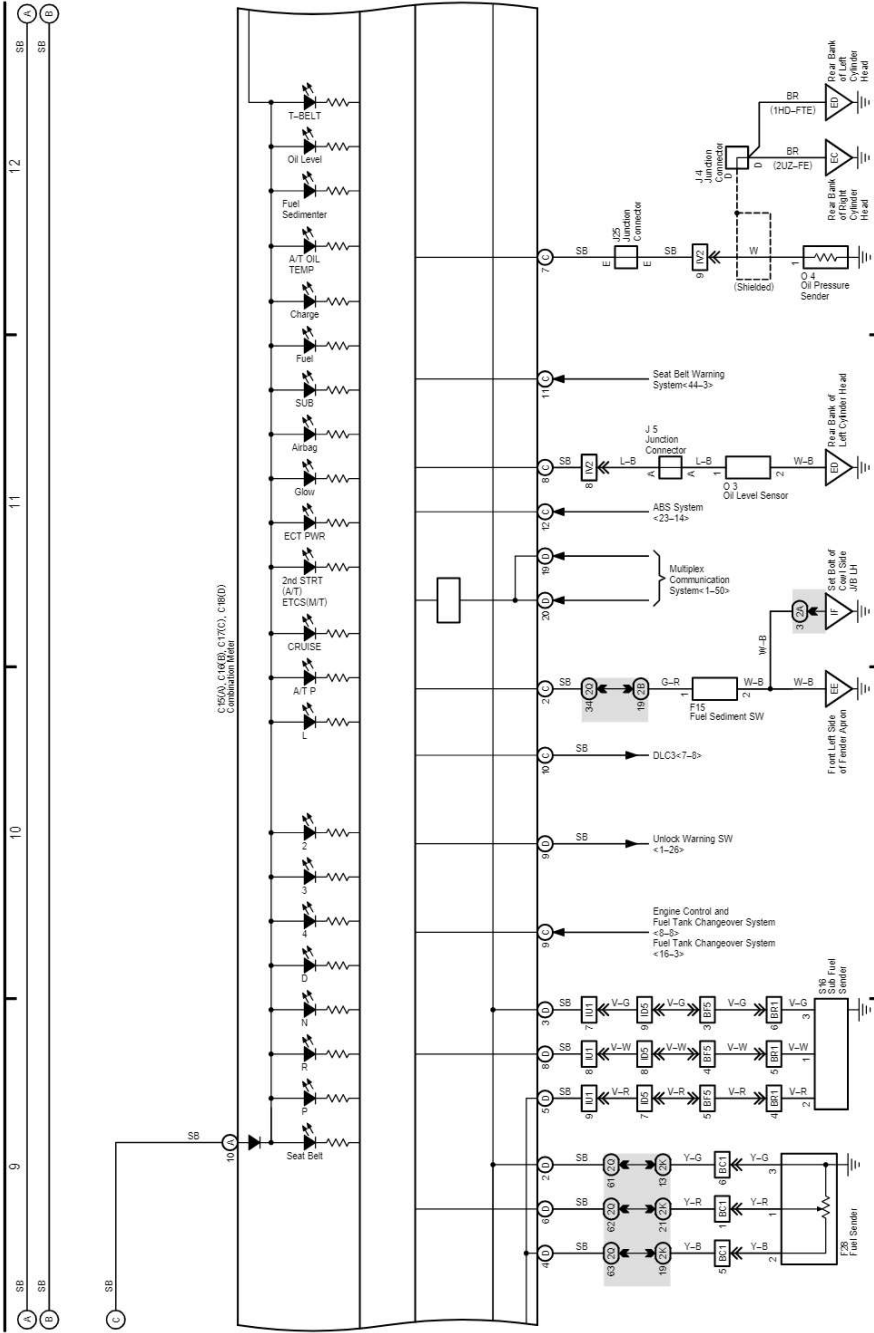
(Cont. next page)

Combination Meter (2UZ-FE, 1HD-FTE General)



cardiagn.com

Combination Meter (2UZ-FE, 1HD-FTE General)

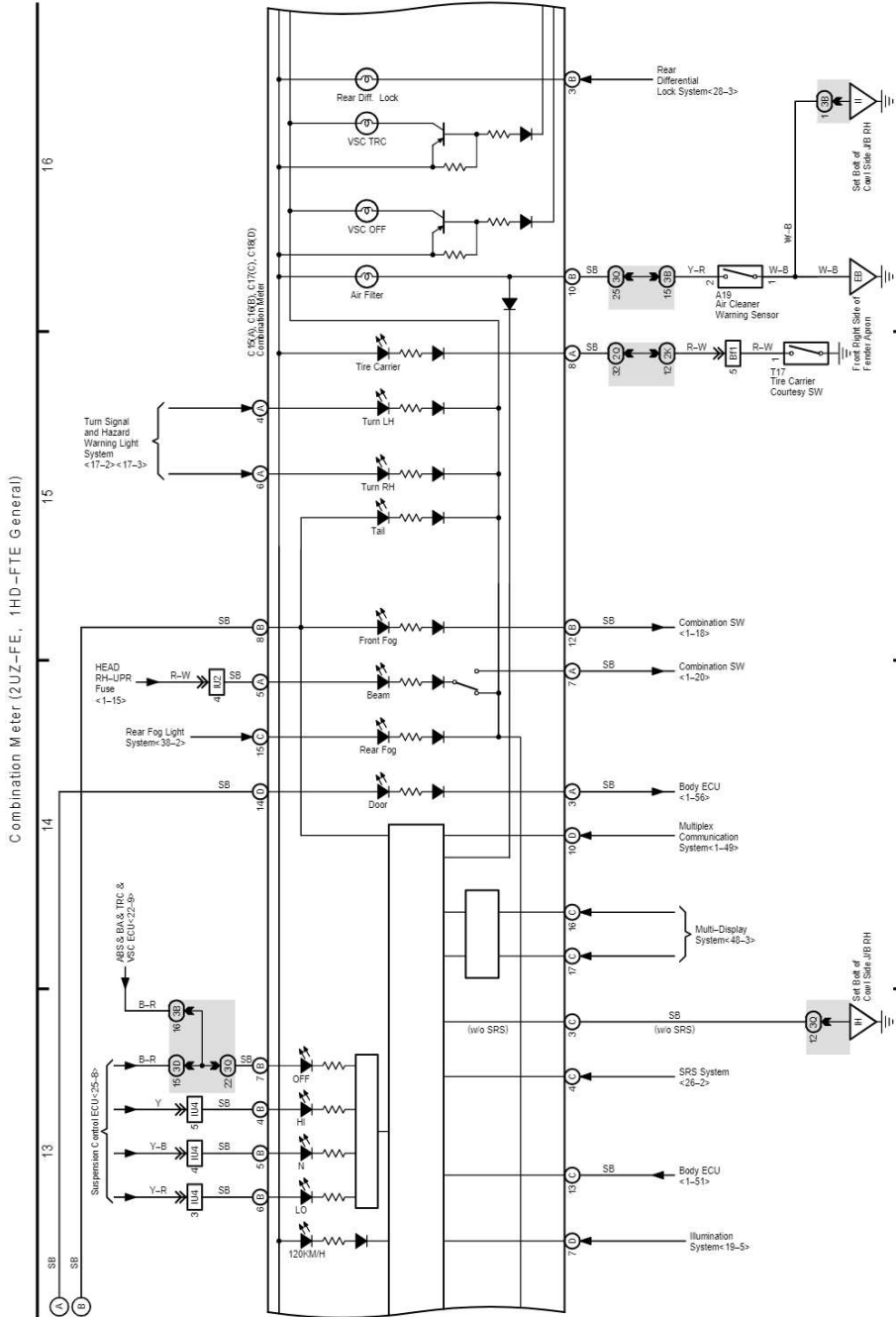


LAND CRUISER Station Wagon (EWD512E)

H OVERALL ELECTRICAL WIRING DIAGRAM

52 LAND CRUISER (LHD) (Cont'd)

(Cont. next page)



Combination Meter (2UZ-FE, 1HD-FTE General)

4. 4WD/VSC
5. 4WD/VSC
6. 4WD/VSC
7. Direct
8. 4WD/VSC

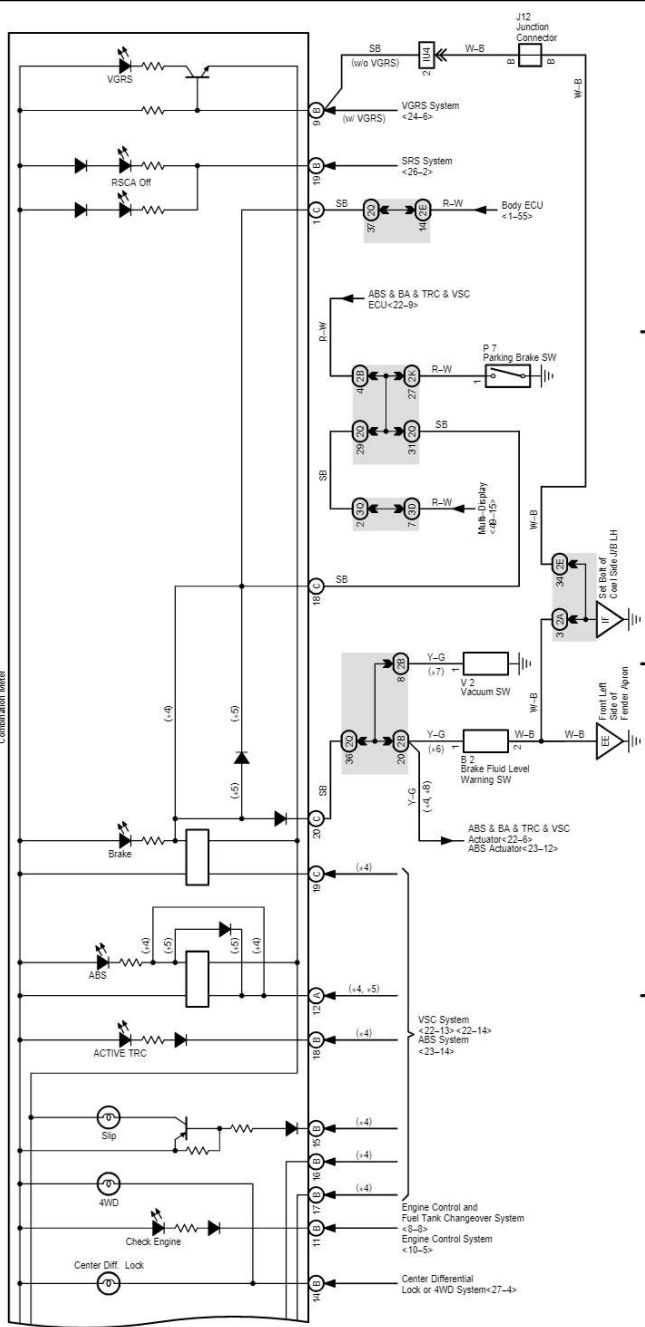
20

19

18

17

CR56A, CR16B, CR17C, CR18D
Combination Meter

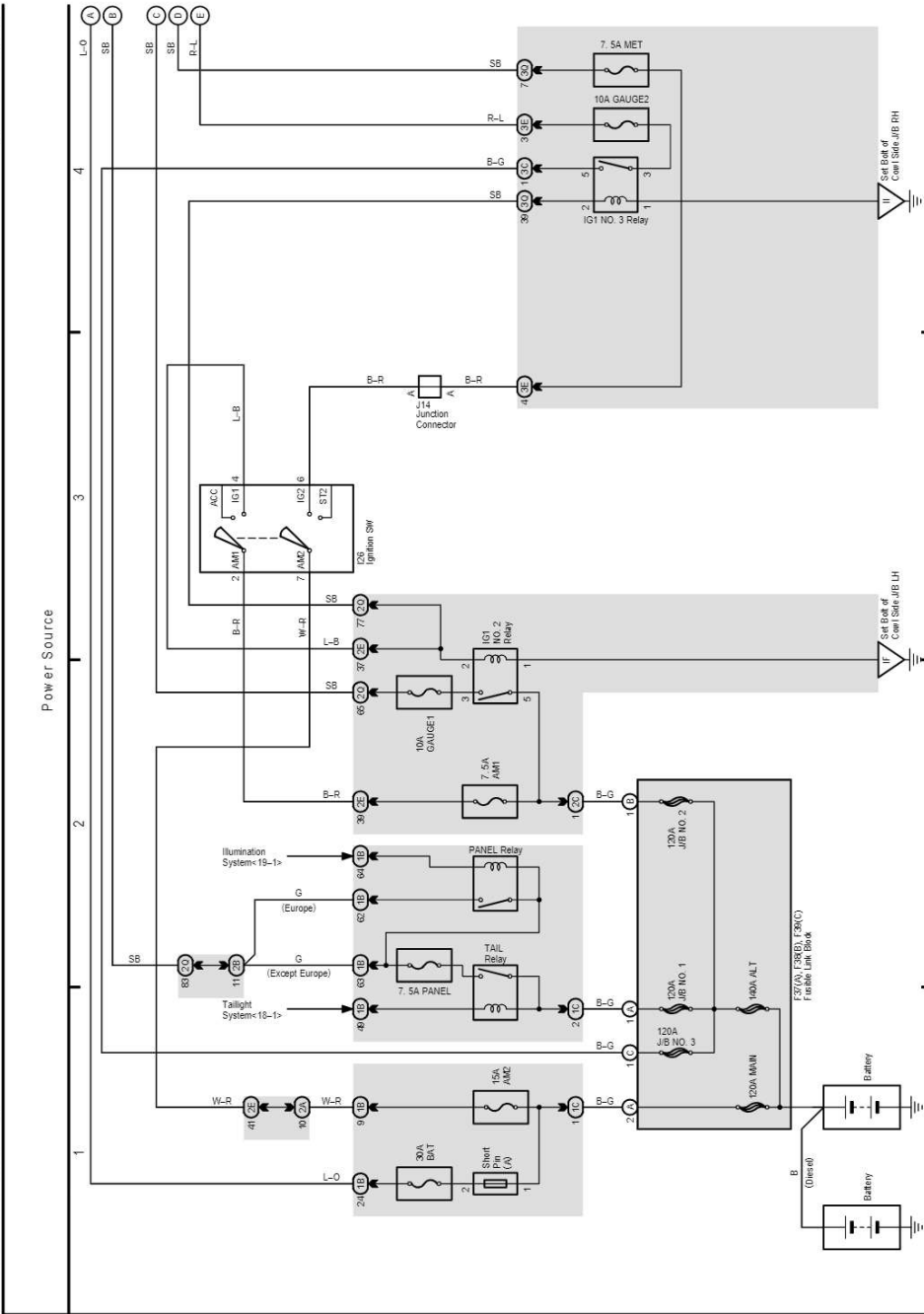


cardiagn.com

H OVERALL ELECTRICAL WIRING DIAGRAM

53 LAND CRUISER (LHD)

(Cont. next page)

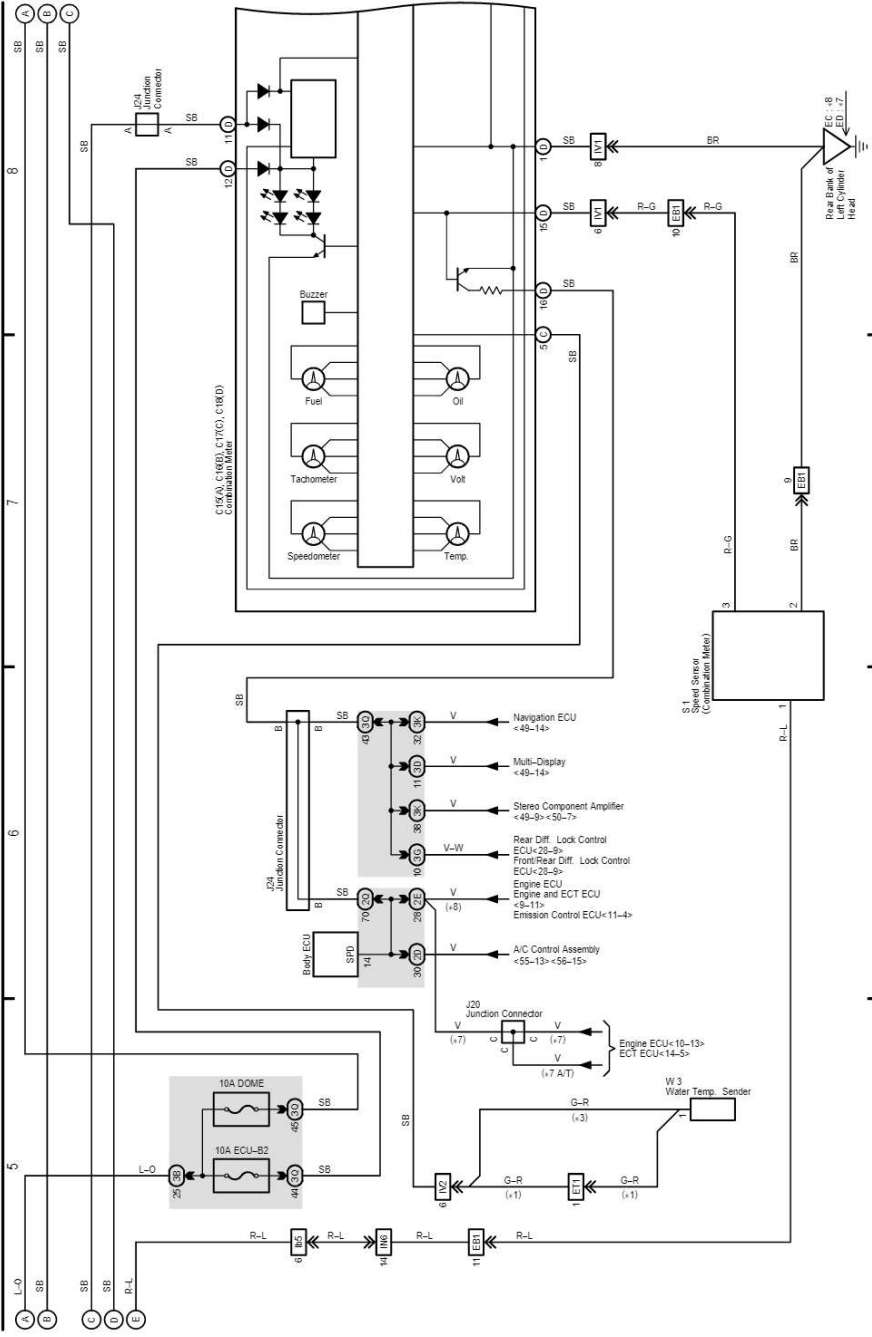


cardiagn.com

Combination Meter (1FZ-EE, 1HD-FTE Europe, 1HZ)

*1: 1HD-FTE Except-2
*2: Argentina, Russian
*3: Except-1

*7: 1HD-FTE Europe
*8: Except-7

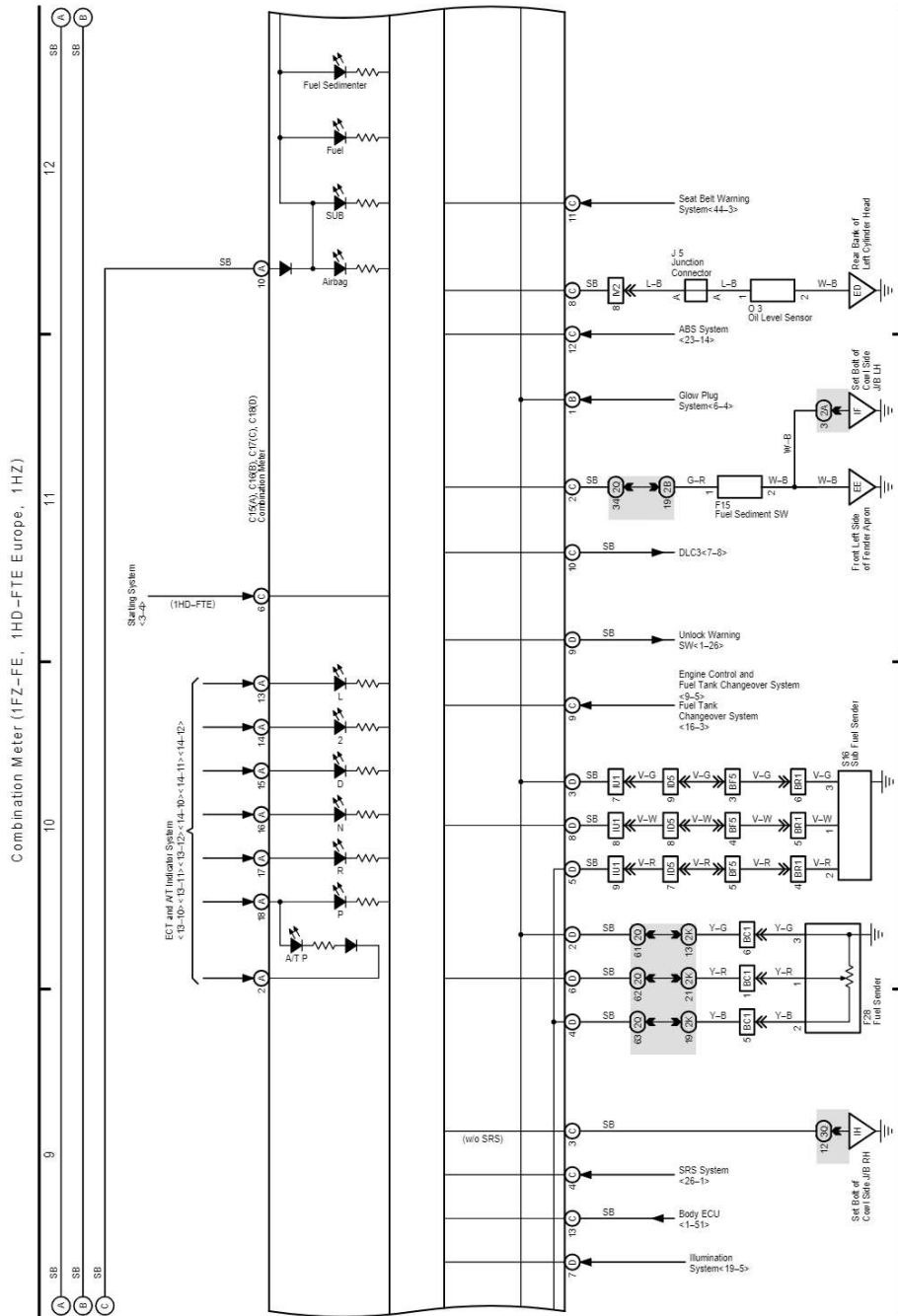


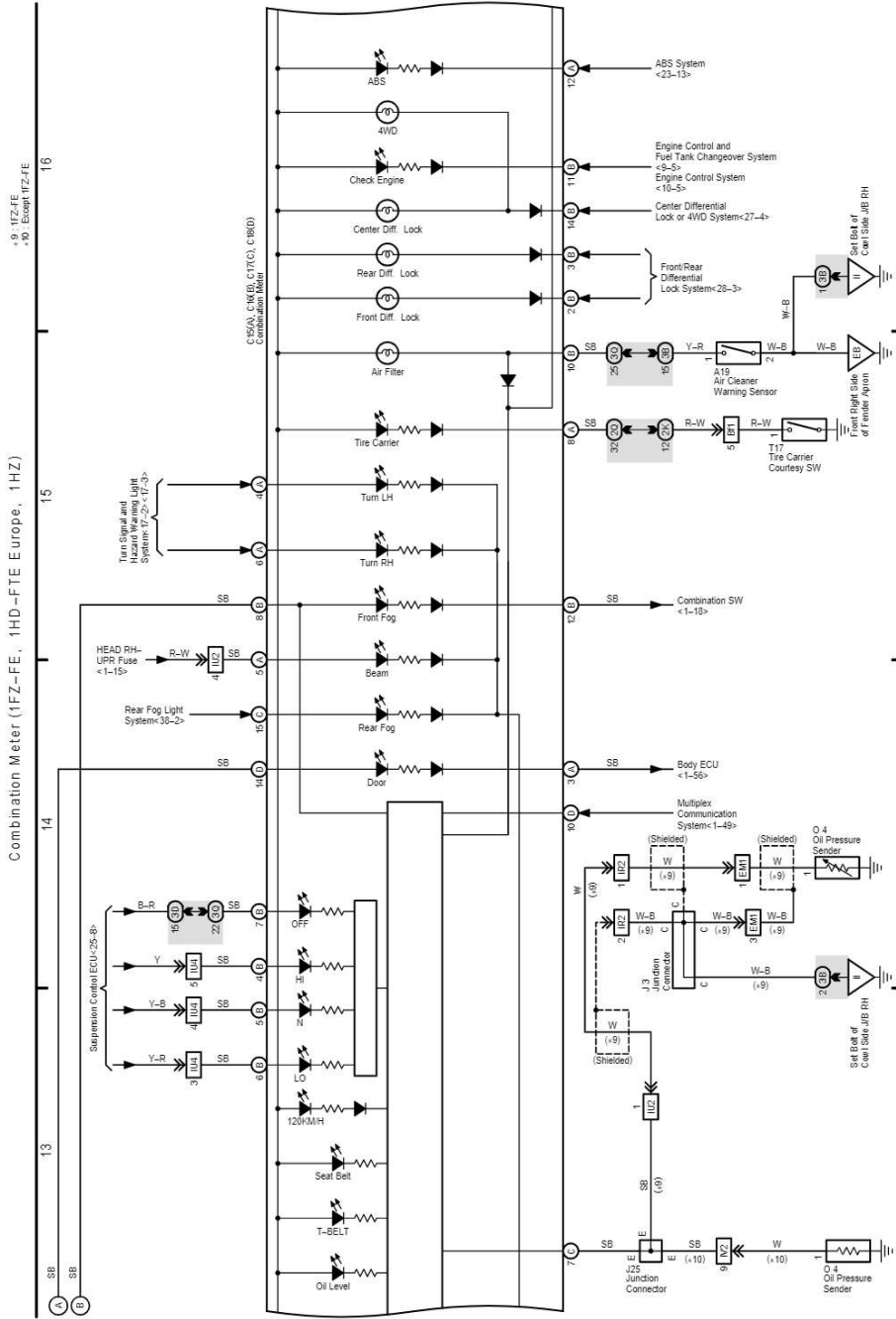
cardiagn.com

H OVERALL ELECTRICAL WIRING DIAGRAM

53 LAND CRUISER (LHD) (Cont' d)

(Cont. next page)



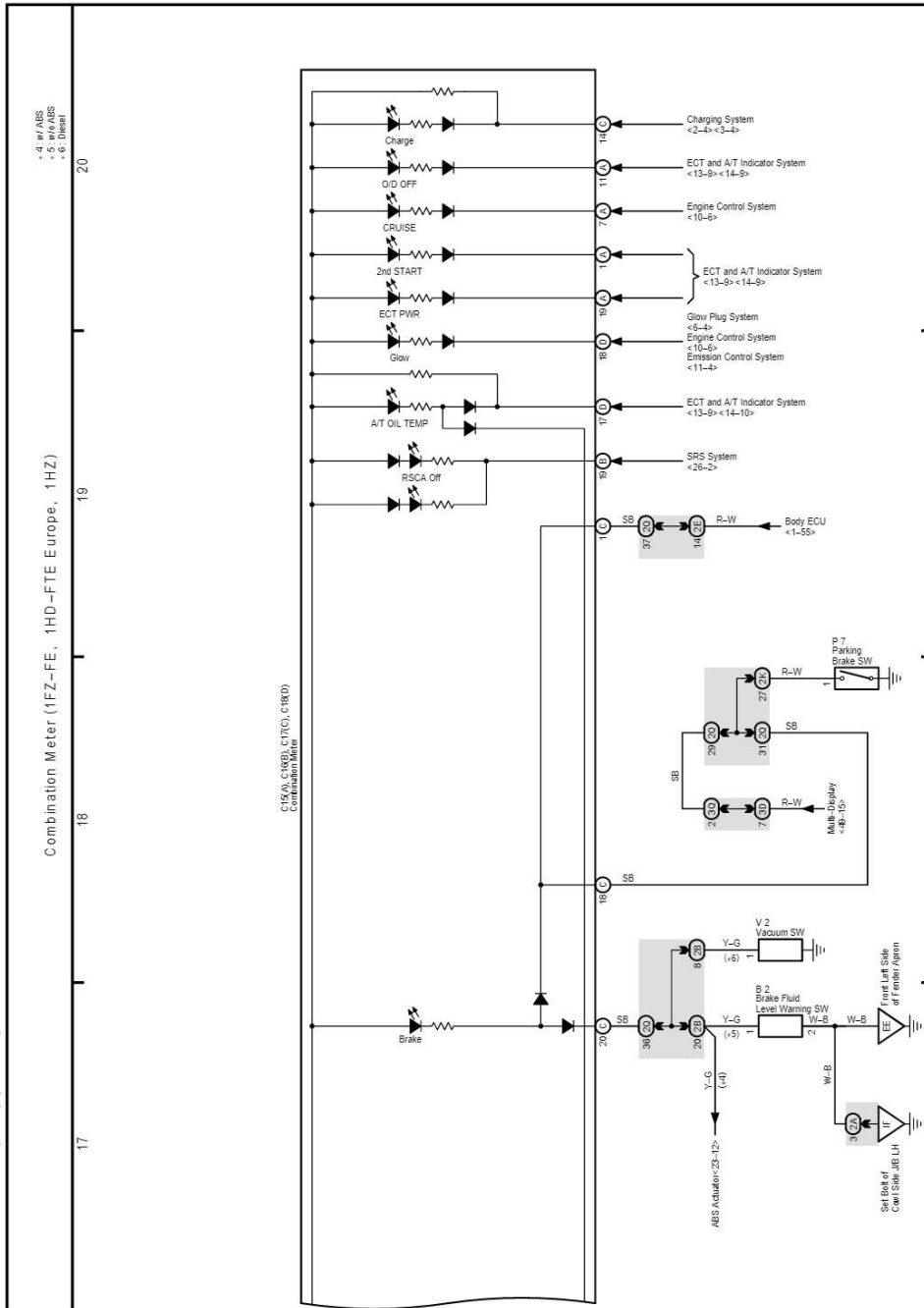


LAND CRUISER Station Wagon (EWD512E)

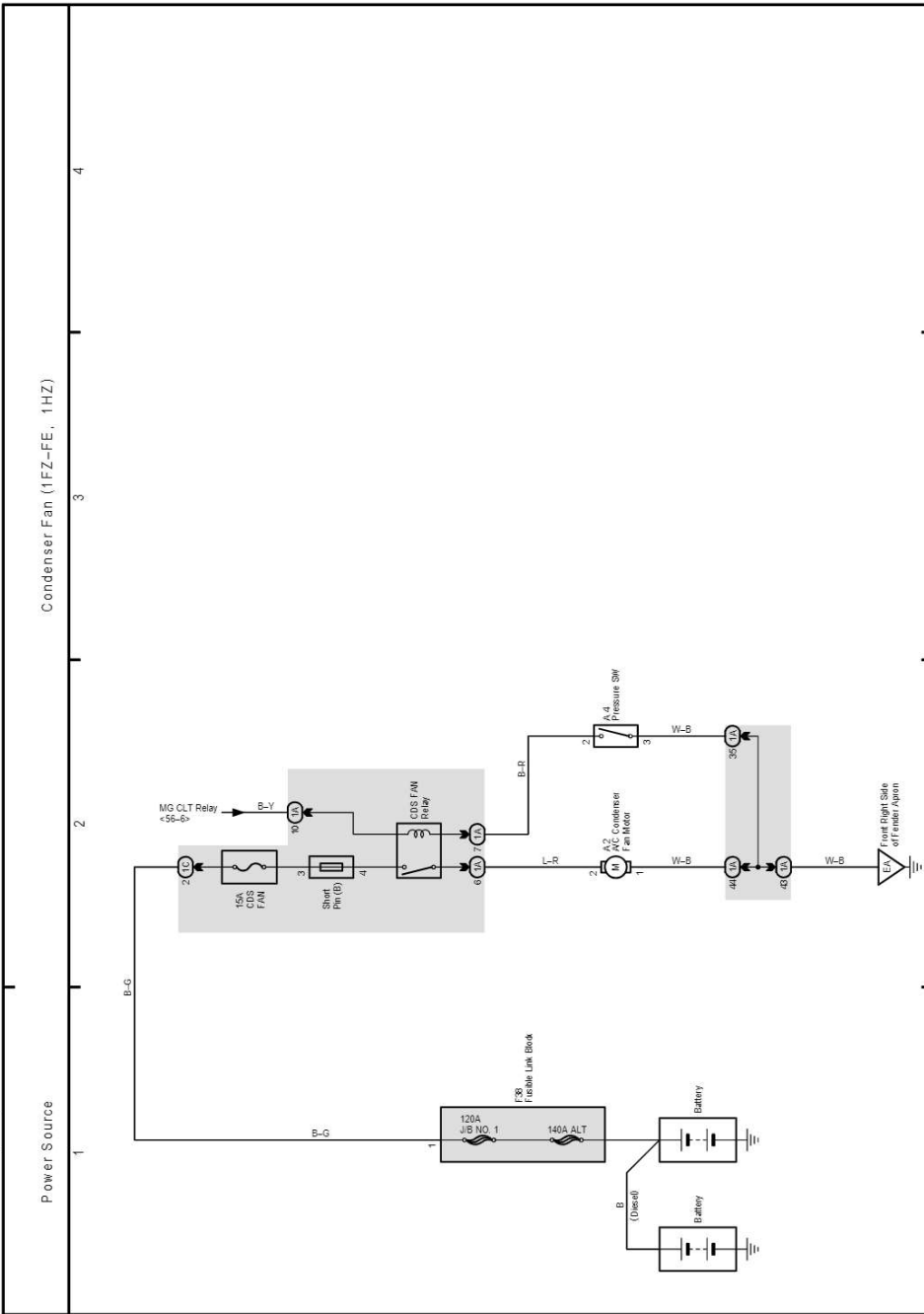
cardiagn.com

H OVERALL ELECTRICAL WIRING DIAGRAM

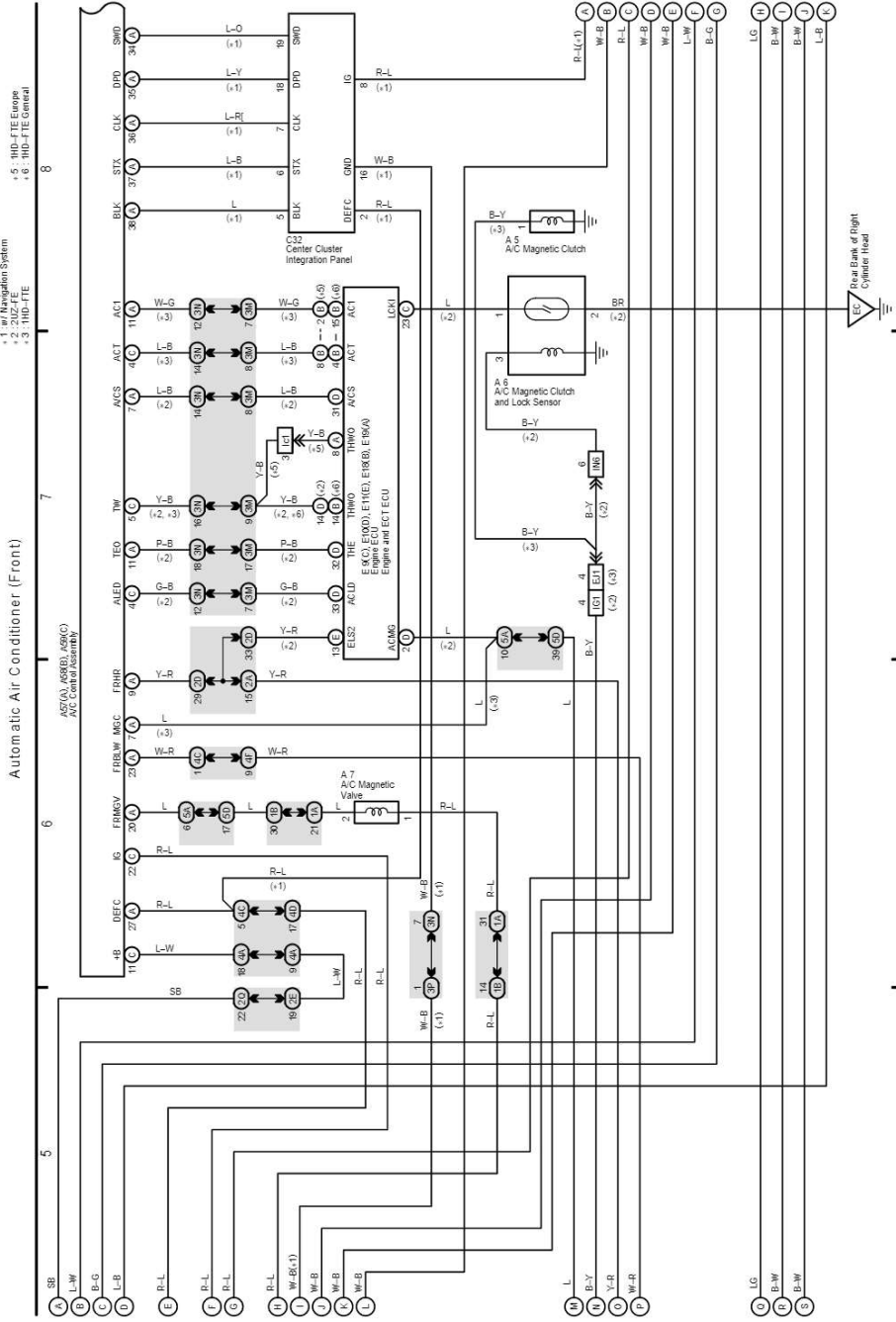
53 LAND CRUISER (LHD) (Cont'd)



cardiagn.com

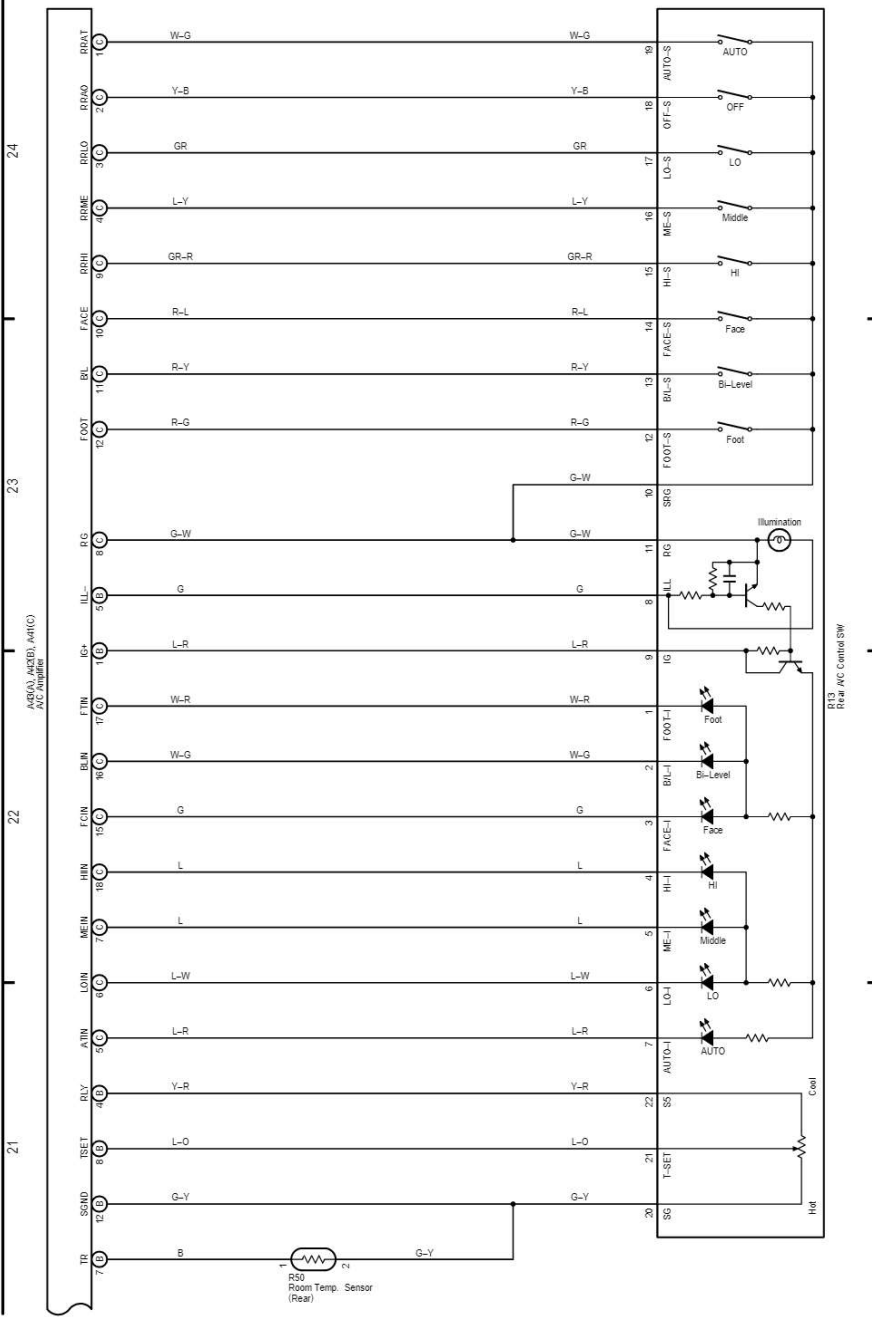


cardiagn.com

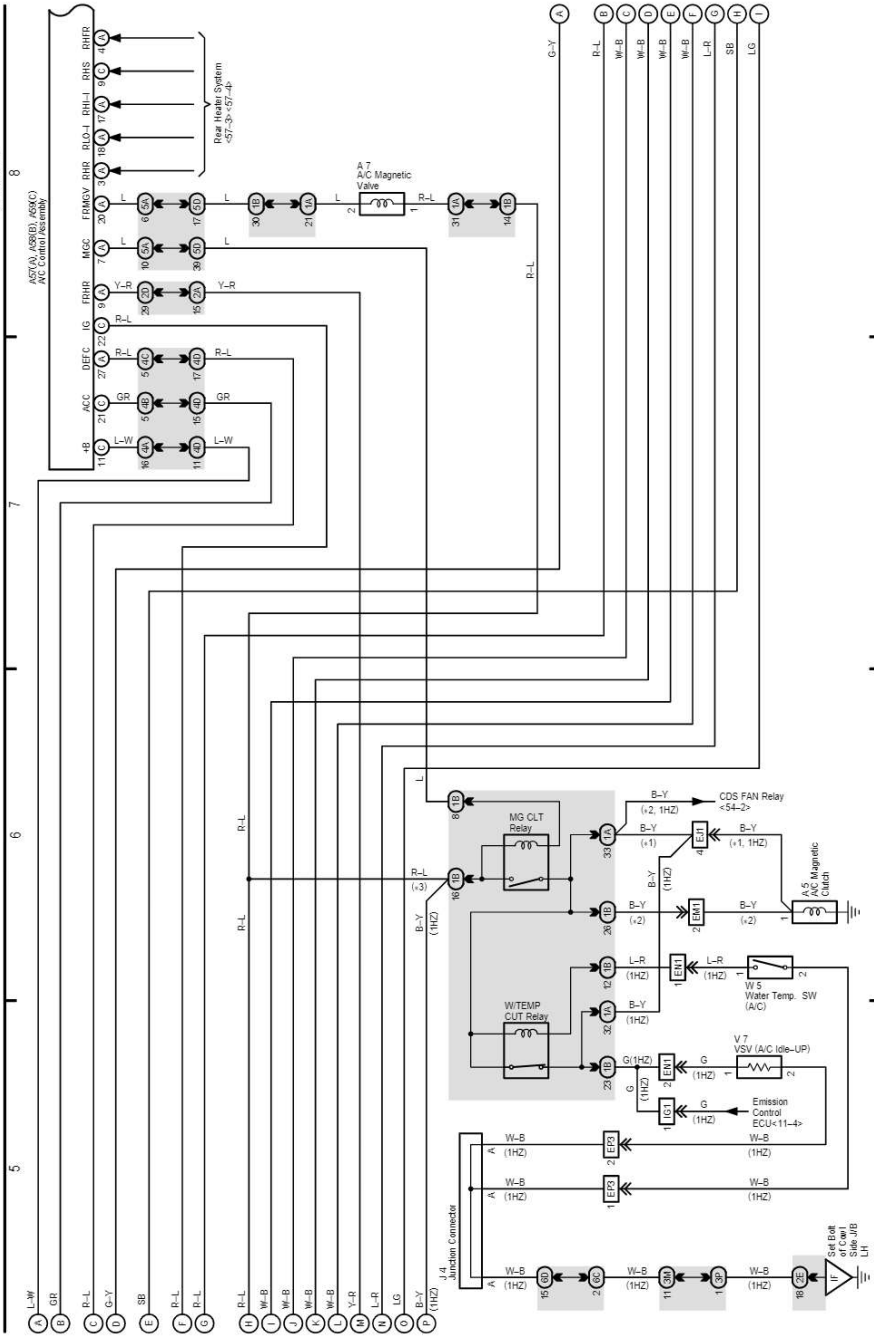


cardiagn.com

Automatic Air Conditioner (Rear)



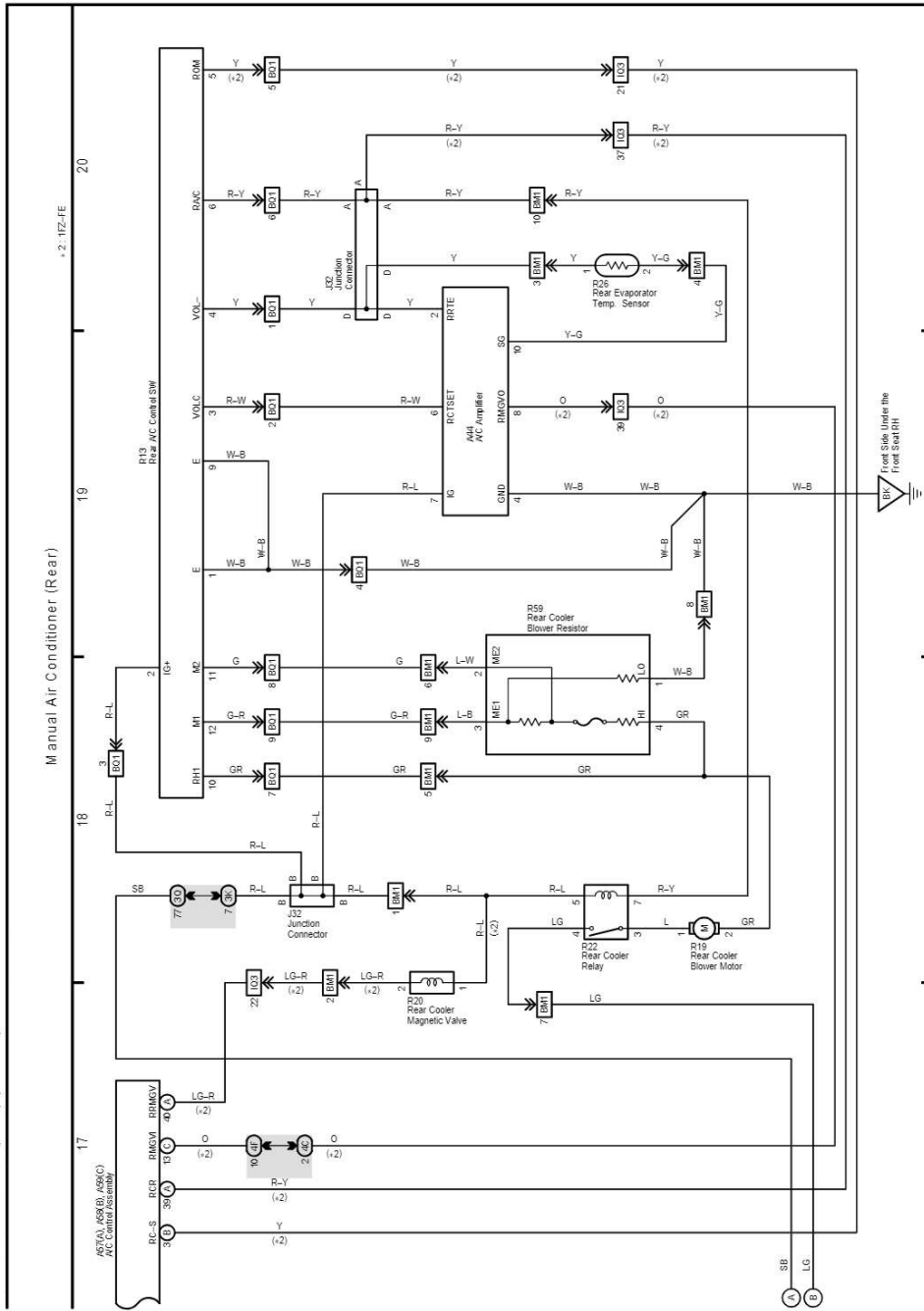
Manual Air Conditioner (Front)



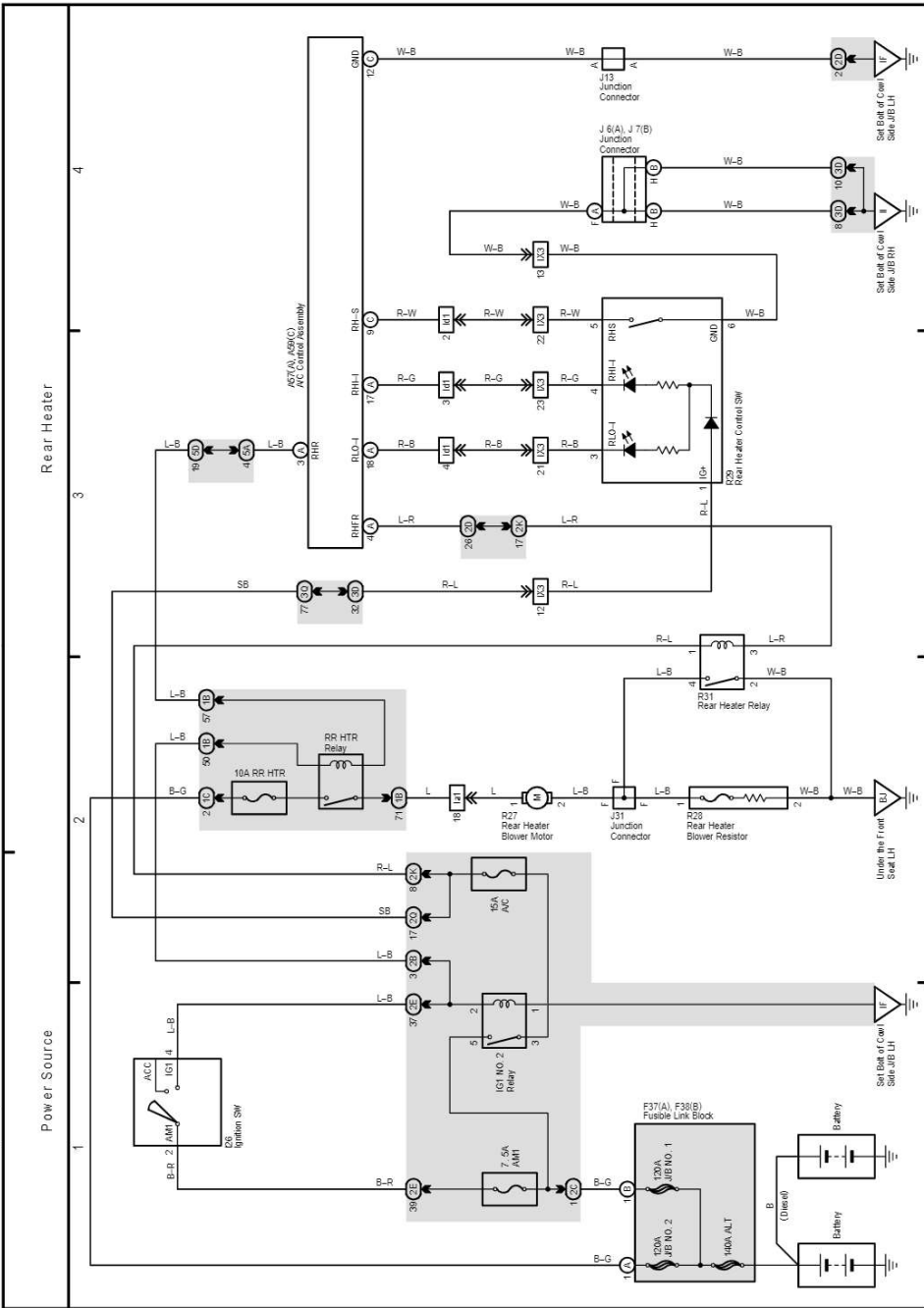
cardiagn.com

H OVERALL ELECTRICAL WIRING DIAGRAM

56 LAND CRUISER (LHD) (Cont' d)



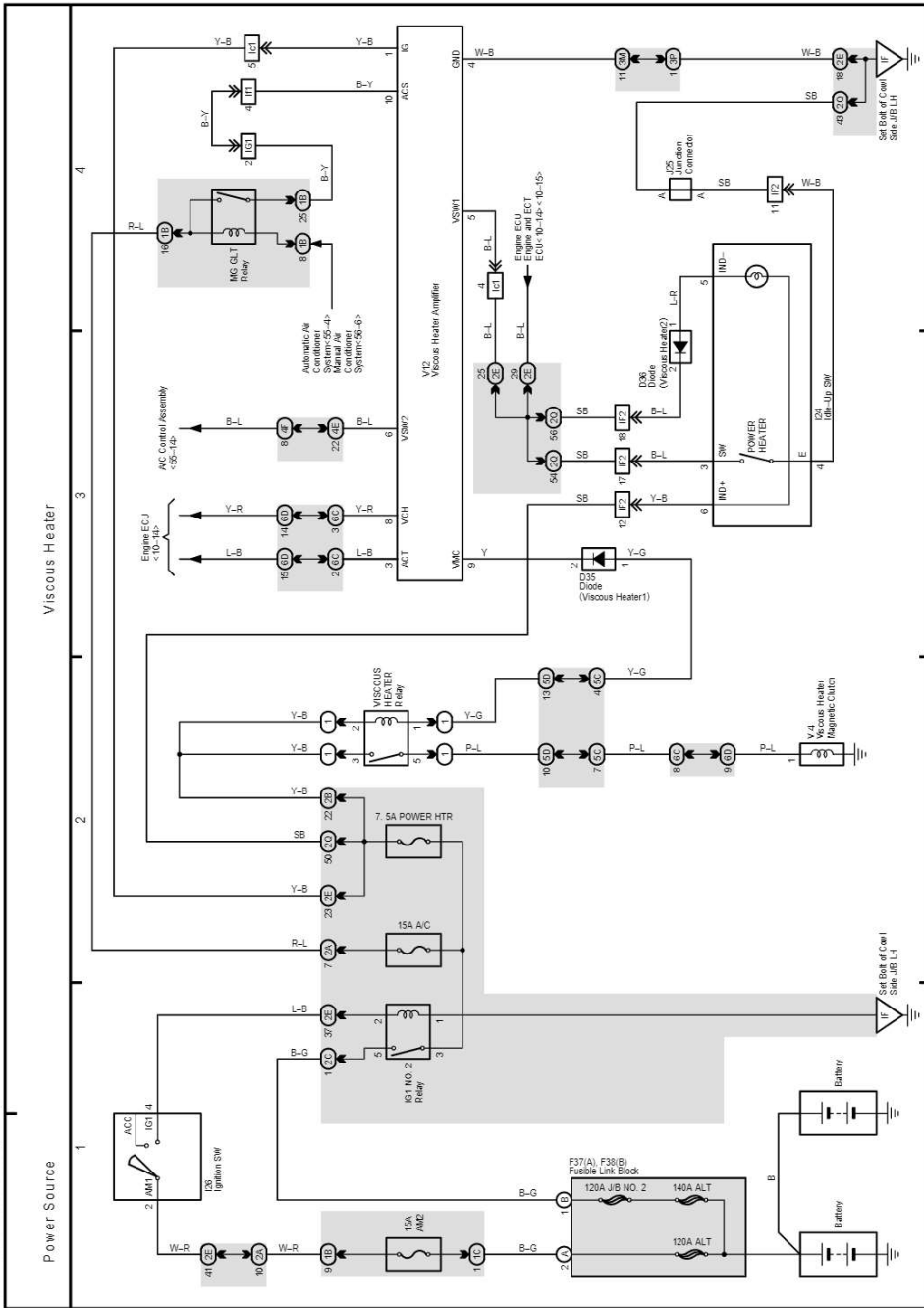
cardiagn.com



LAND CRUISER Station Wagon (EWD512E)

H OVERALL ELECTRICAL WIRING DIAGRAM

58 LAND CRUISER (LHD)

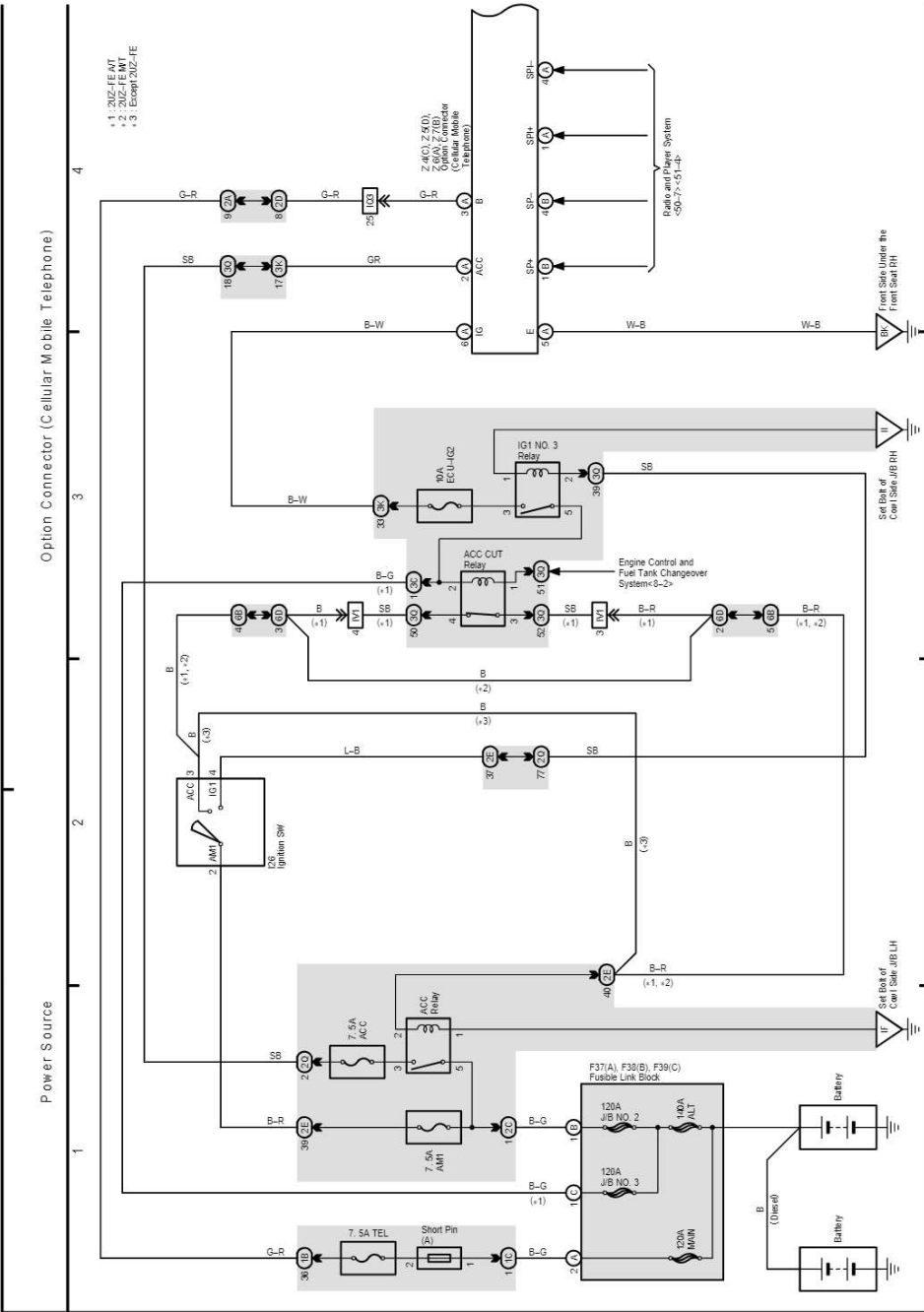


cardiagn.com

H OVERALL ELECTRICAL WIRING DIAGRAM

(Cont. next page)

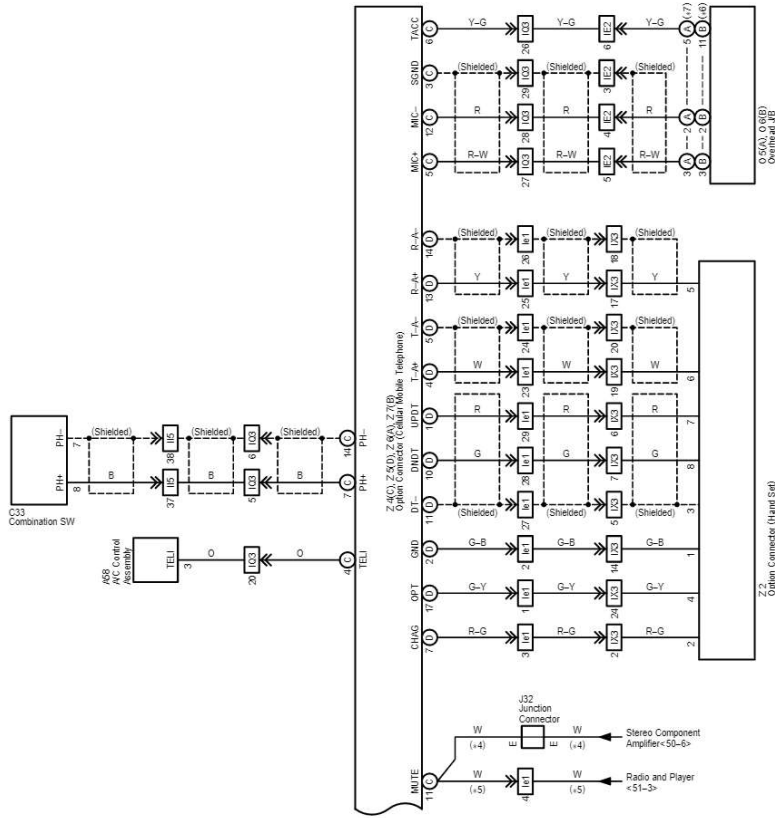
60 LAND CRUISER (LHD)



cardiagn.com

- * 4. 1st Stereo Component Amplifier
- * 5. 1st/2 Stereo Component Amplifier
- * 6. 1st/2 Stereo Component Amplifier
- * 7. 1st/2 Stereo Amplifier

Option Connector (Cellular Mobile Telephone)



LAND CRUISER Station Wagon (EWD512E)

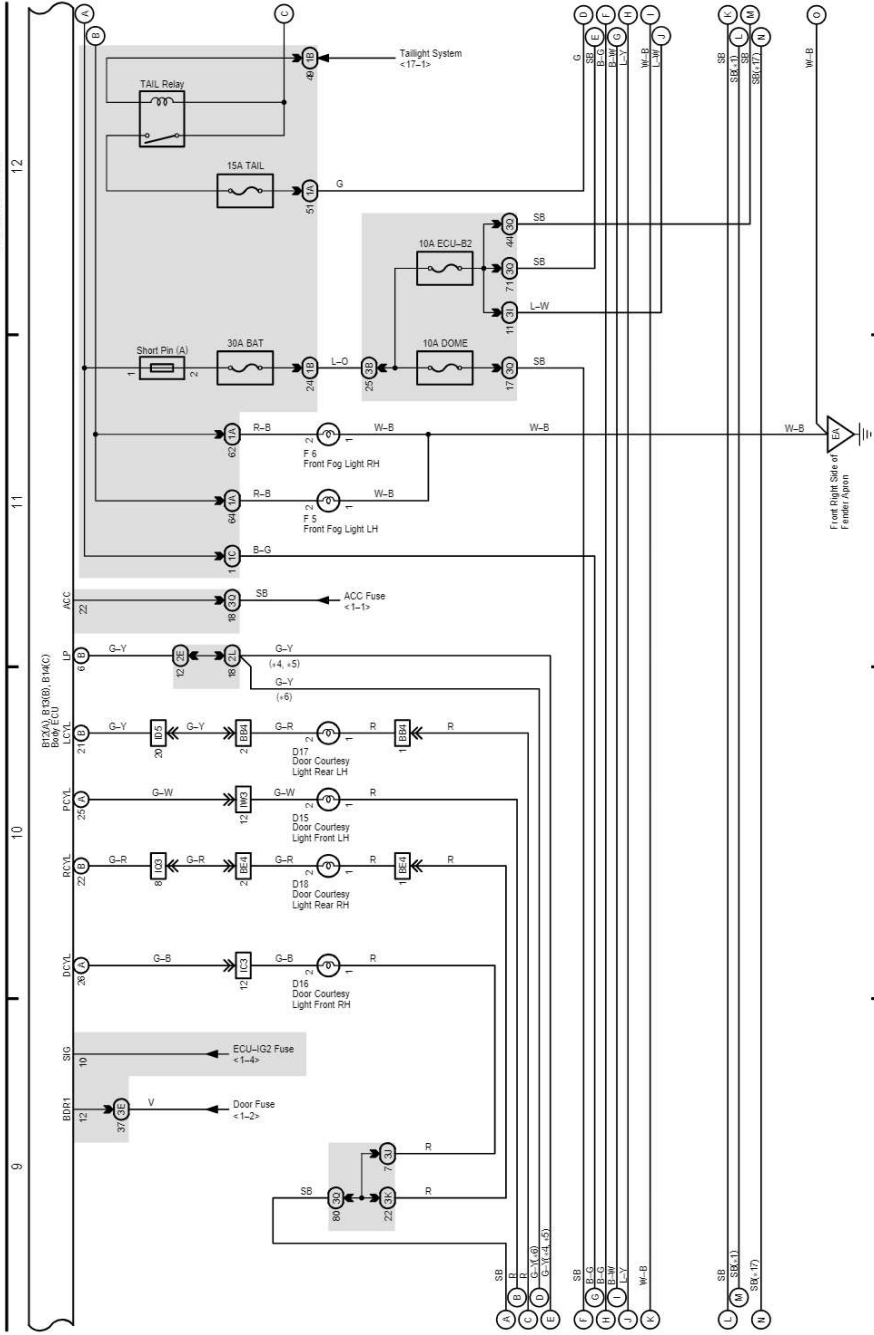
H OVERALL ELECTRICAL WIRING DIAGRAM

1 LAND CRUISER (RHD) (Cont'd)

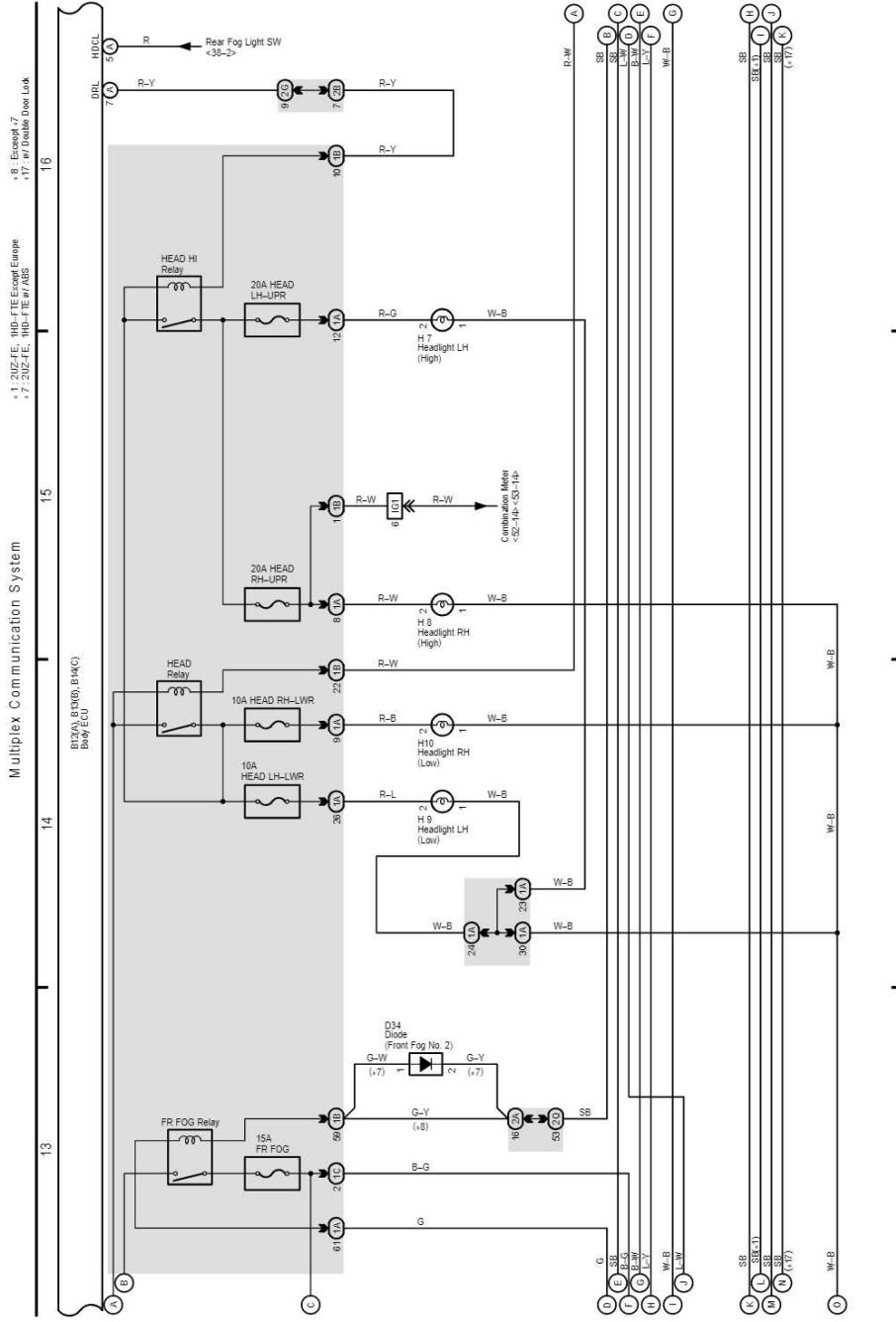
(Cont. next page)

- * 1 2002 E, 1100-FTE Except Europe
- * 2 1100-FTE Except Europe
- * 3 1100-FTE Except Europe
- * 4 1100-FTE Except Europe
- * 5 1100-FTE Except Europe
- * 6 1100-FTE Except Europe
- * 7 1100-FTE Except Europe
- * 8 1100-FTE Except Europe
- * 9 1100-FTE Except Europe
- * 10 1100-FTE Except Europe
- * 11 1100-FTE Except Europe
- * 12 1100-FTE Except Europe
- * 13 1100-FTE Except Europe
- * 14 1100-FTE Except Europe
- * 15 1100-FTE Except Europe
- * 16 1100-FTE Except Europe
- * 17 1100-FTE Except Europe

Multiplex Communication System



cardiagn.com

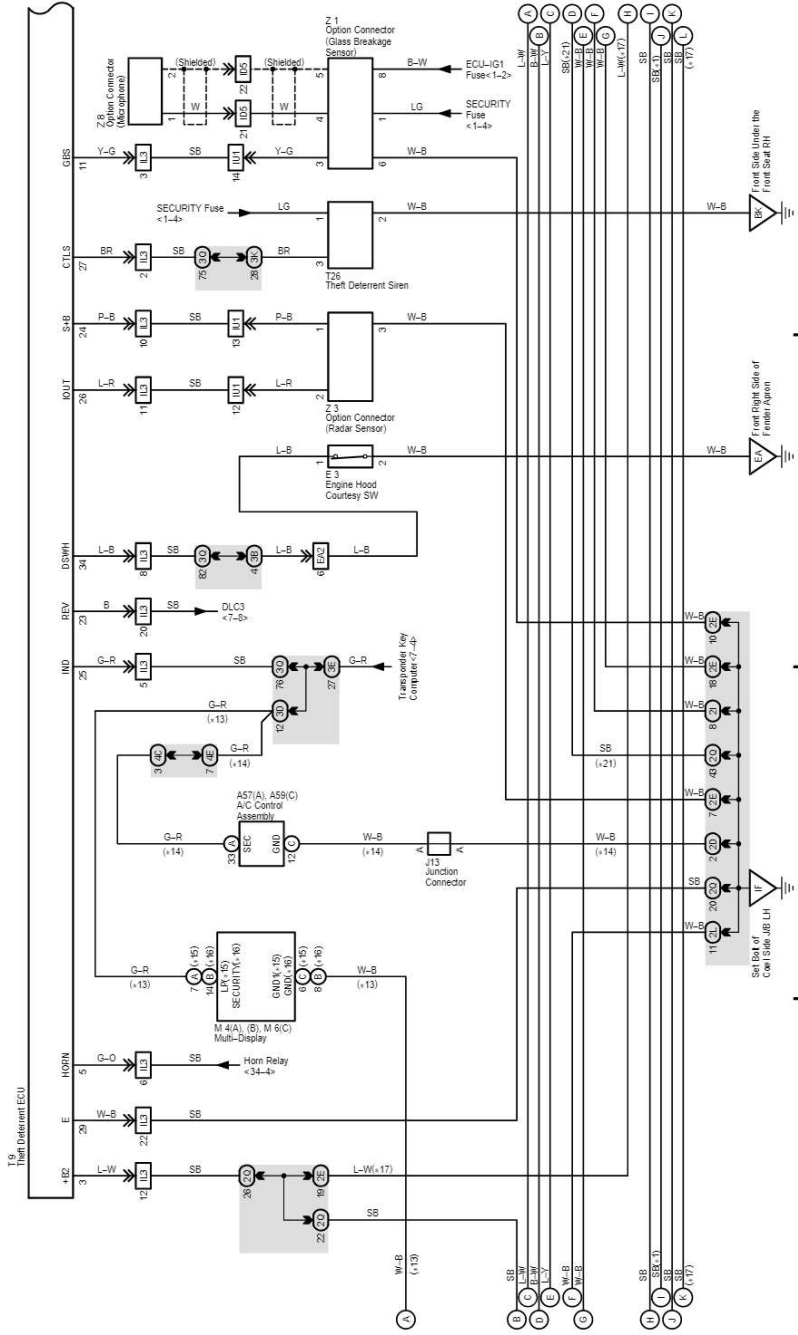


cardiagn.com

- *1: 2UZ-FE, 1HD, FTE Except Europe
- *2: Automatic A/C
- *3: Manual A/C
- *4: Navigation System
- *5: 2nd Row Window

Multiplex Communication System

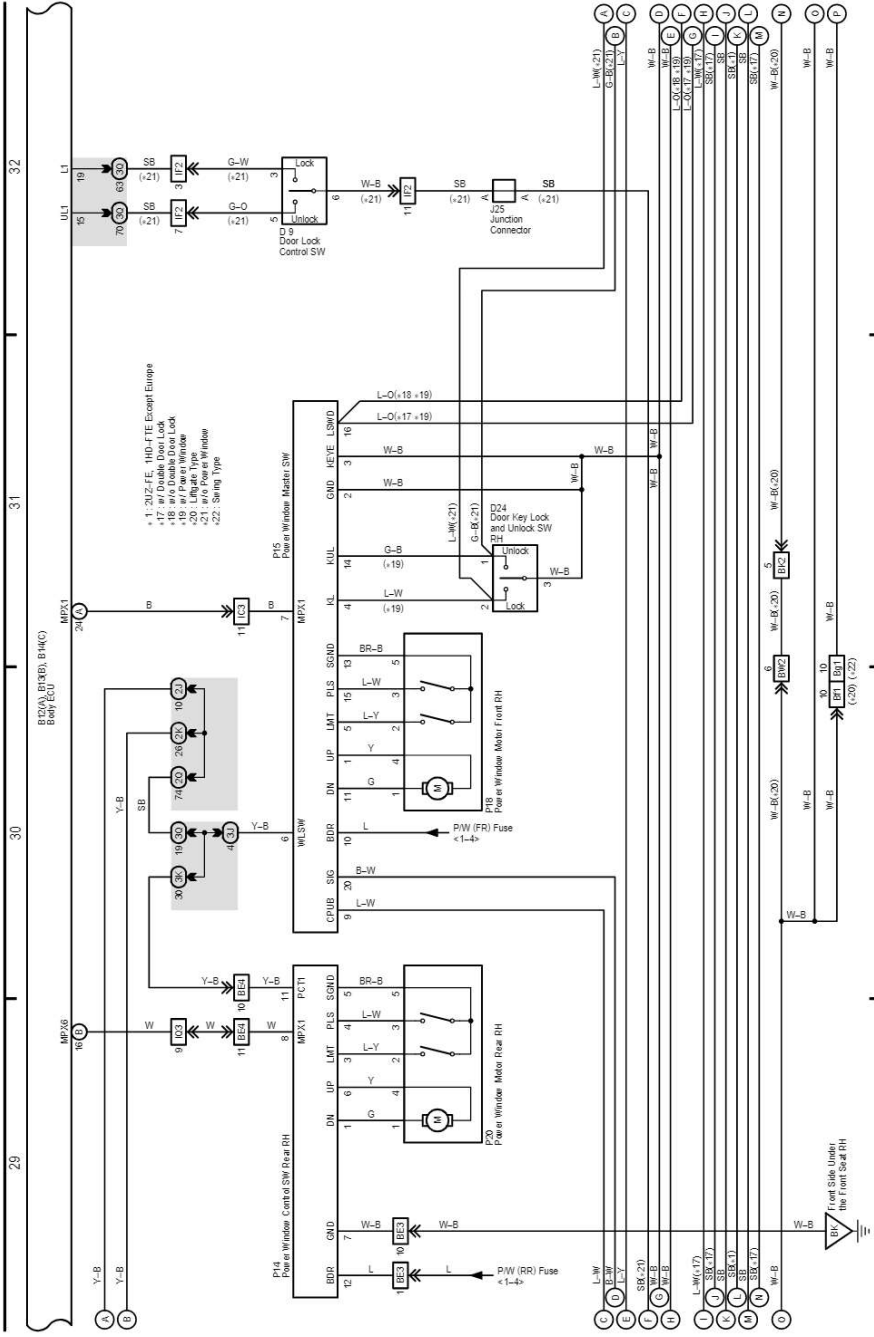
EWDA, EWDB, EWDC, EWDECU



cardiagn.com

LAND CRUISER Station Wagon (EWD512E)

Multiplex Communication System



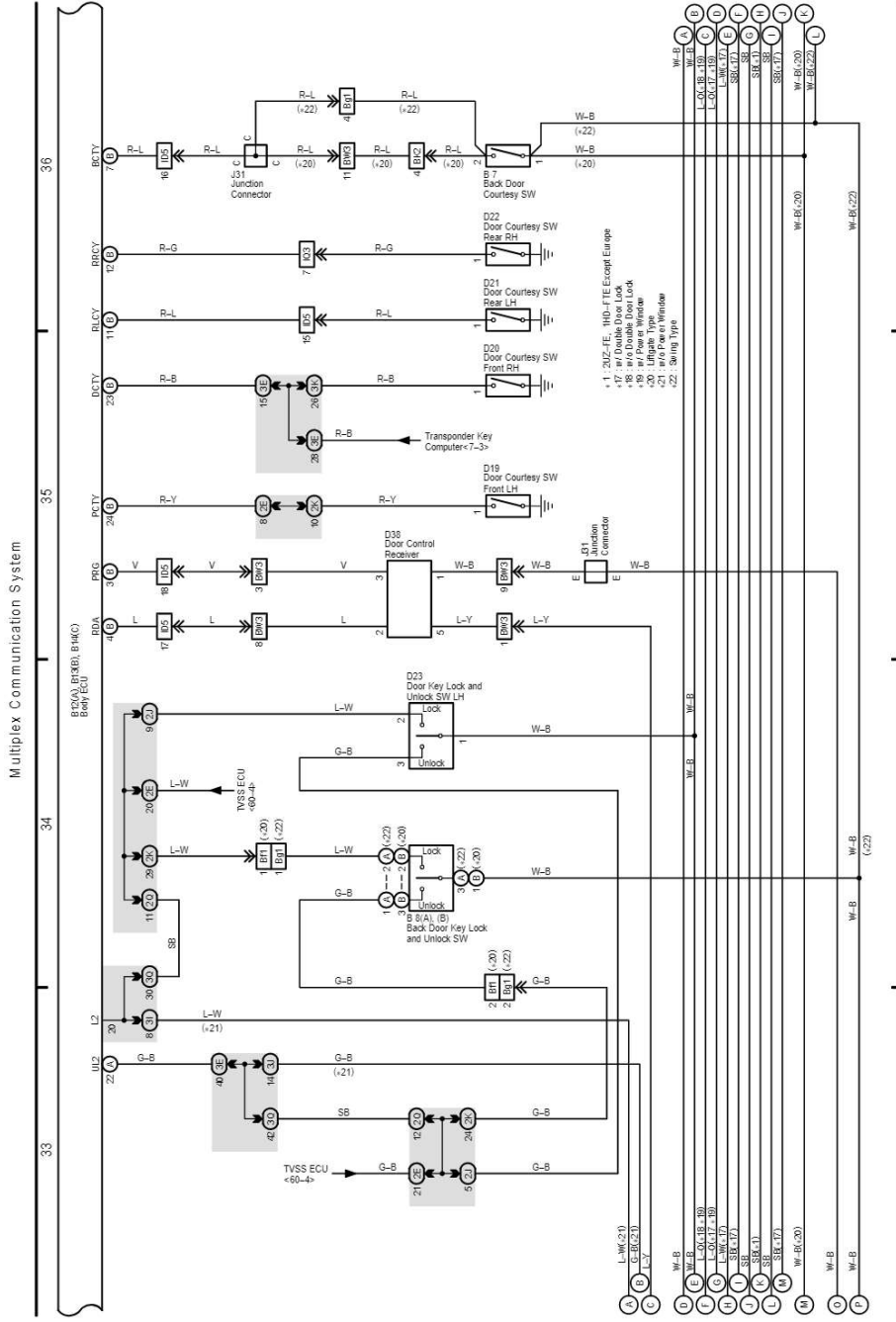
LAND CRUISER Station Wagon (EWD512E)

cardiagn.com

H OVERALL ELECTRICAL WIRING DIAGRAM

1 LAND CRUISER (RHD) (Cont'd)

(Cont. next page)

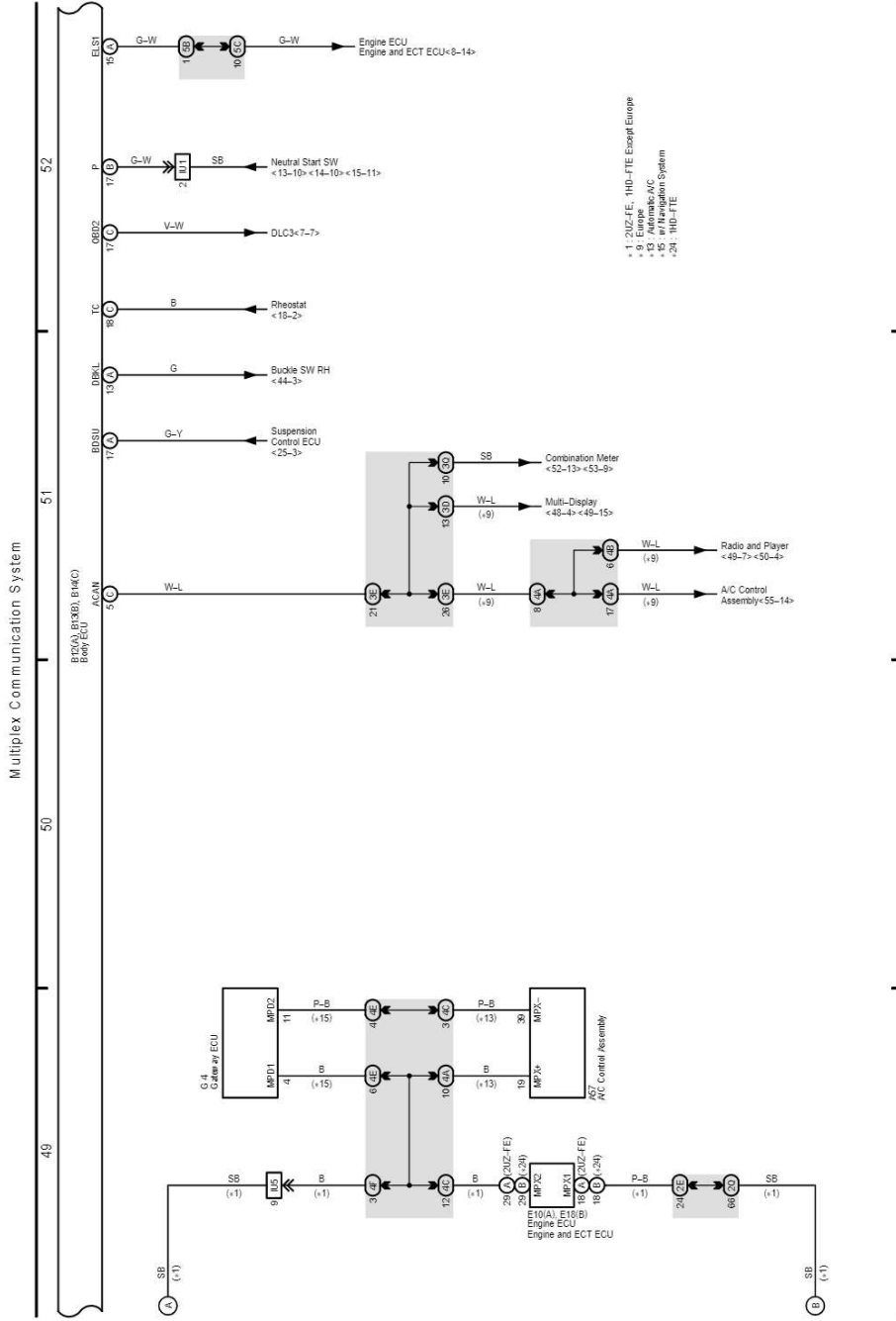


cardiagn.com

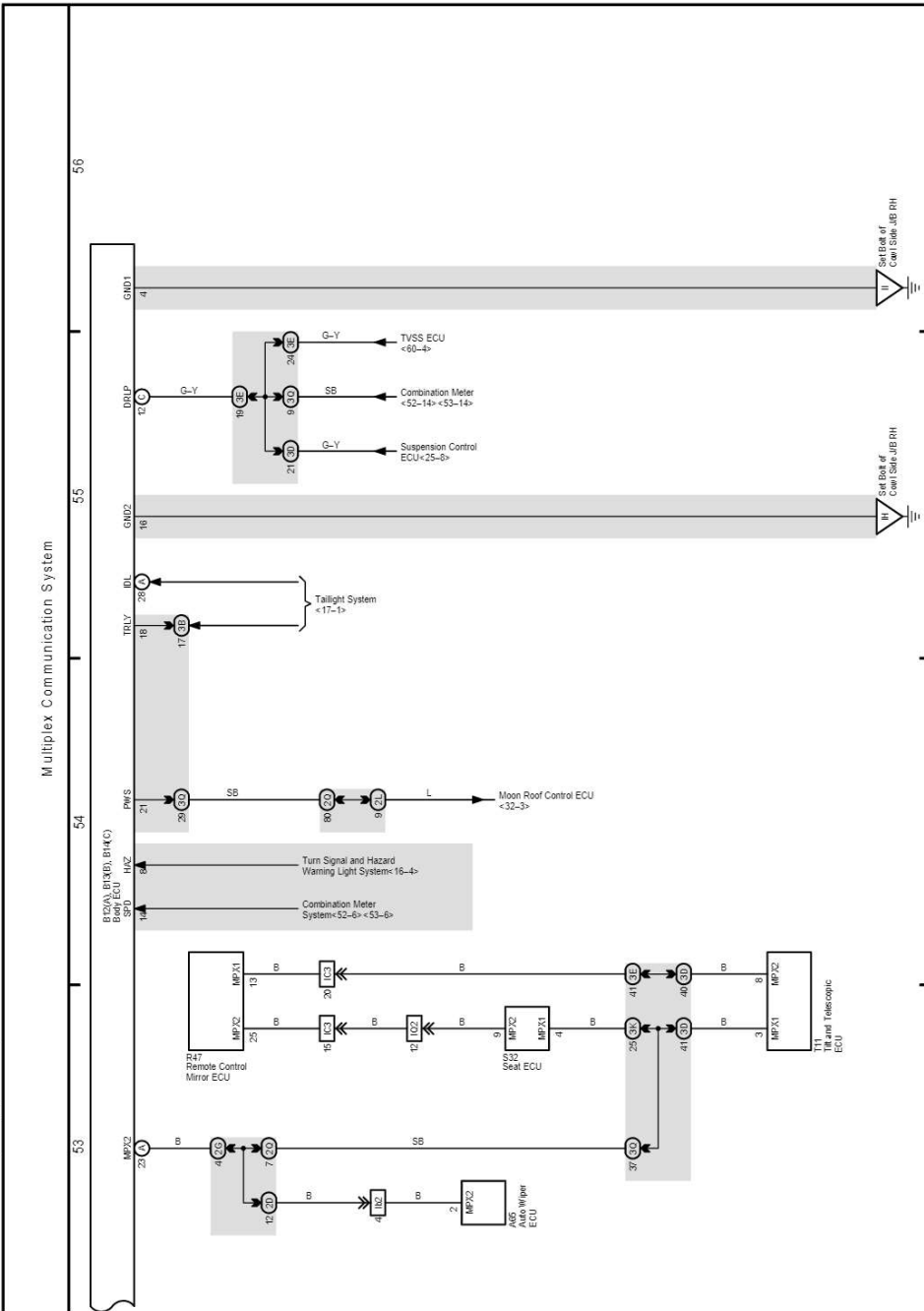
H OVERALL ELECTRICAL WIRING DIAGRAM

1 LAND CRUISER (RHD) (Cont'd)

(Cont. next page)

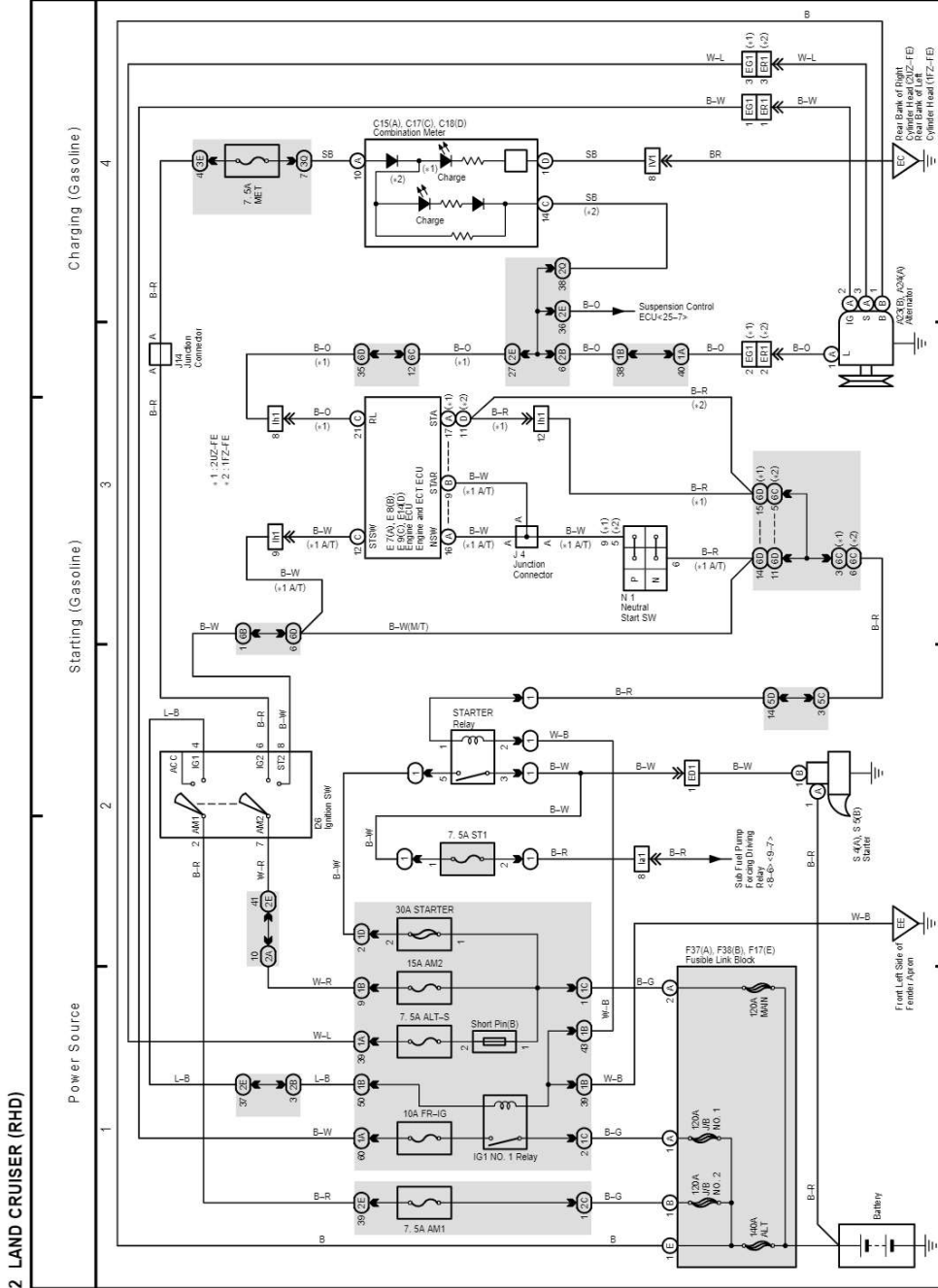


cardiagn.com

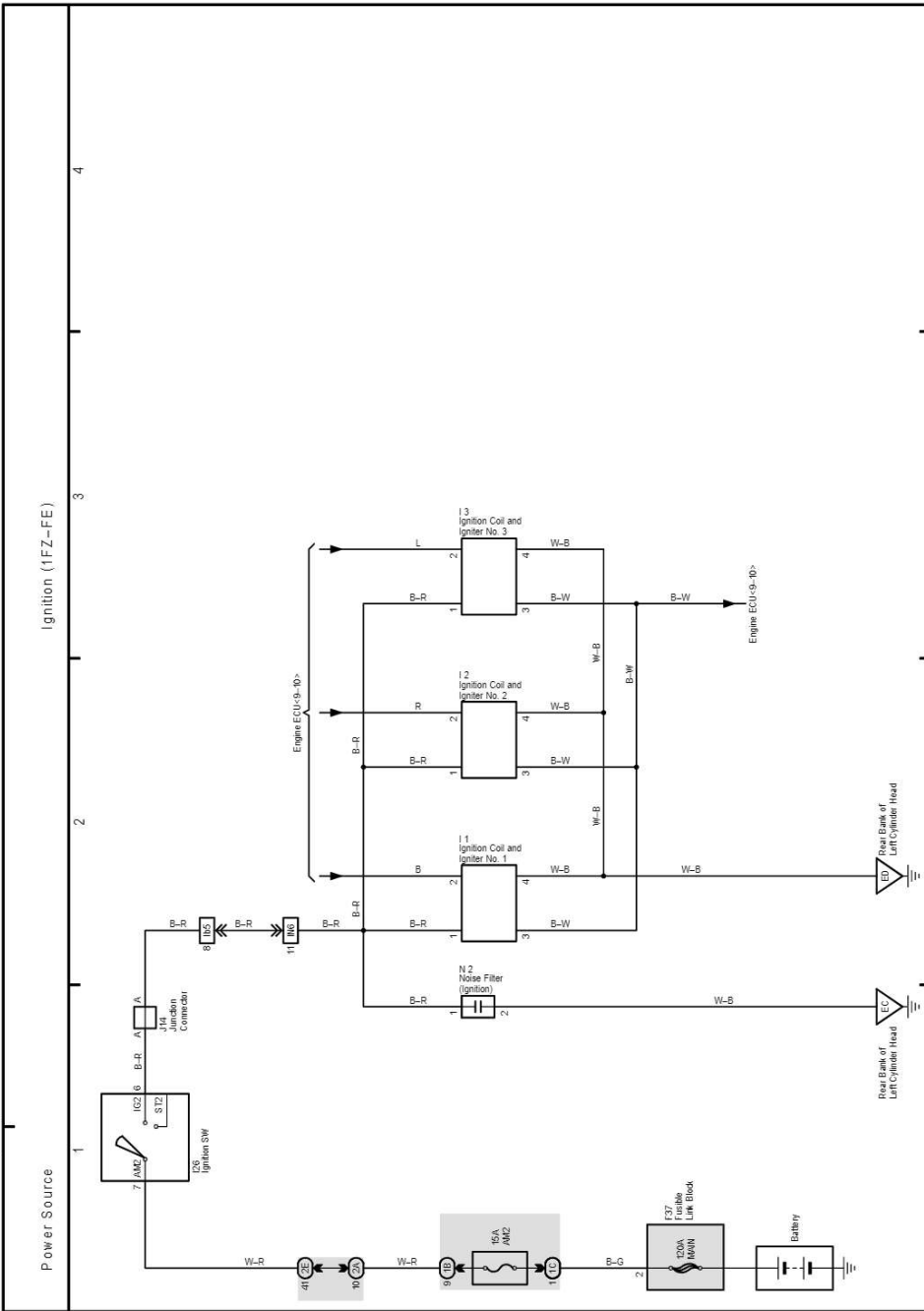


cardiagn.com

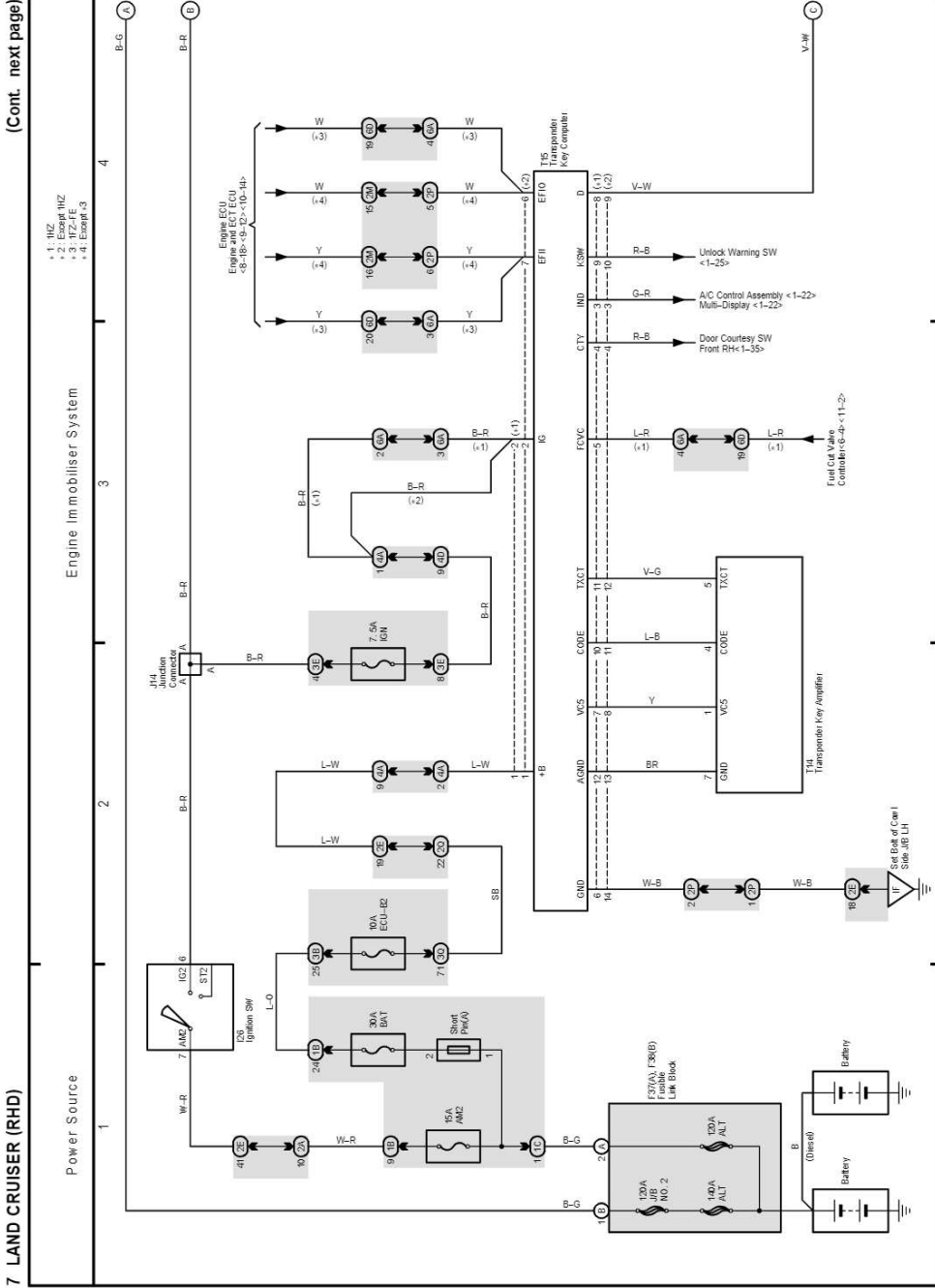
H OVERALL ELECTRICAL WIRING DIAGRAM



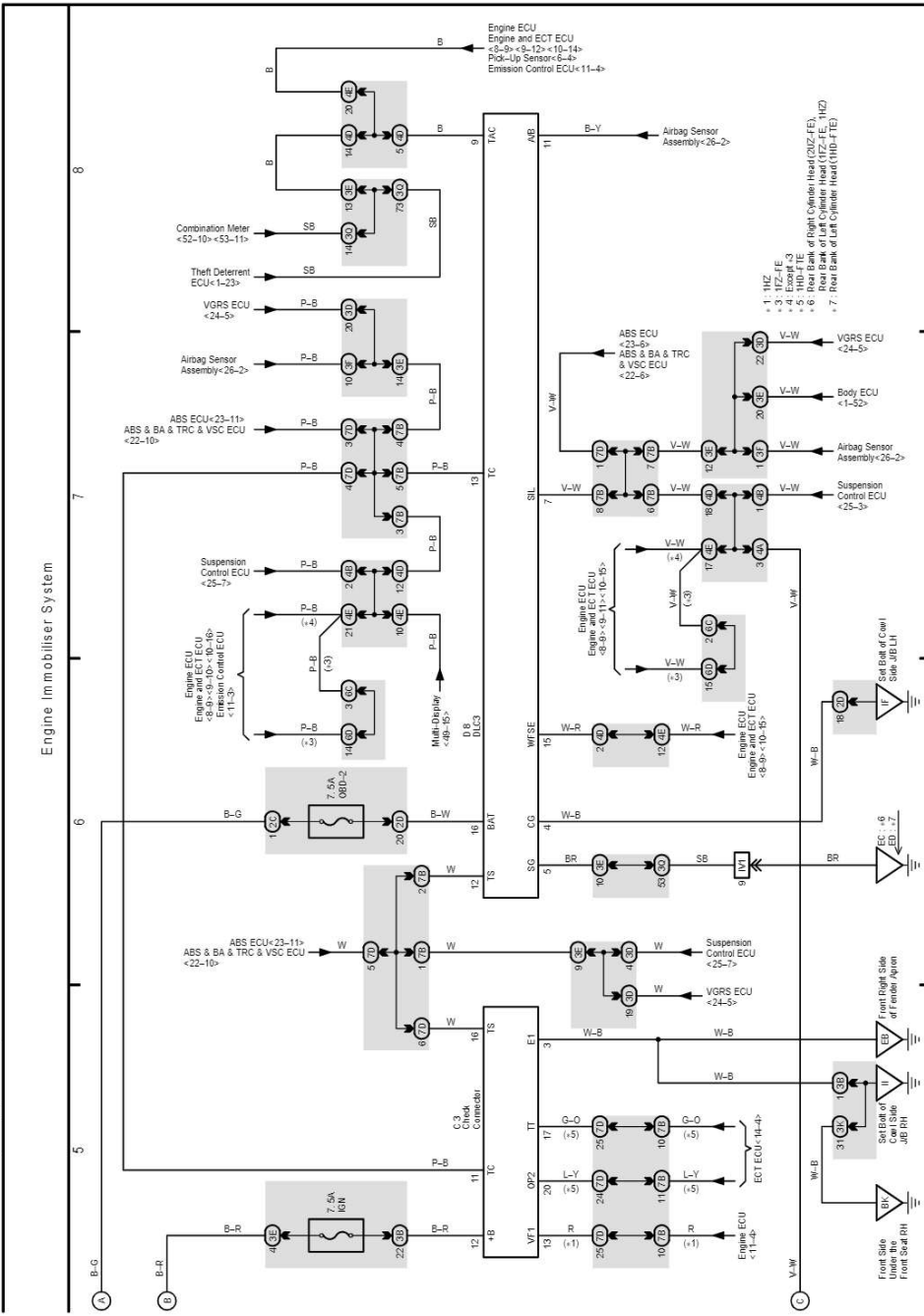
5 LAND CRUISER (RHD)



LAND CRUISER Station Wagon (EWD512E)



cardiagn.com



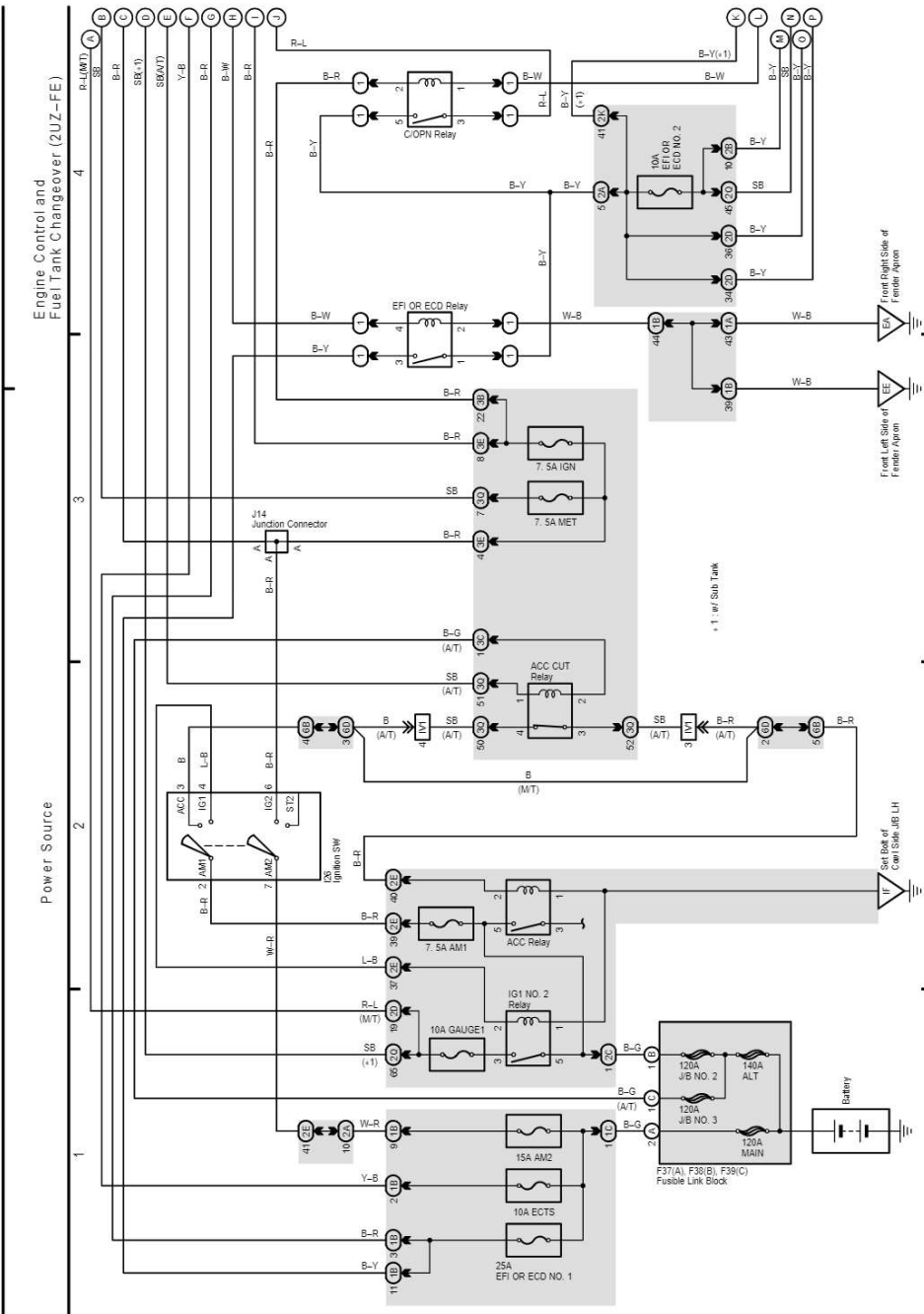
cardiagn.com

LAND CRUISER Station Wagon (EWD512E)

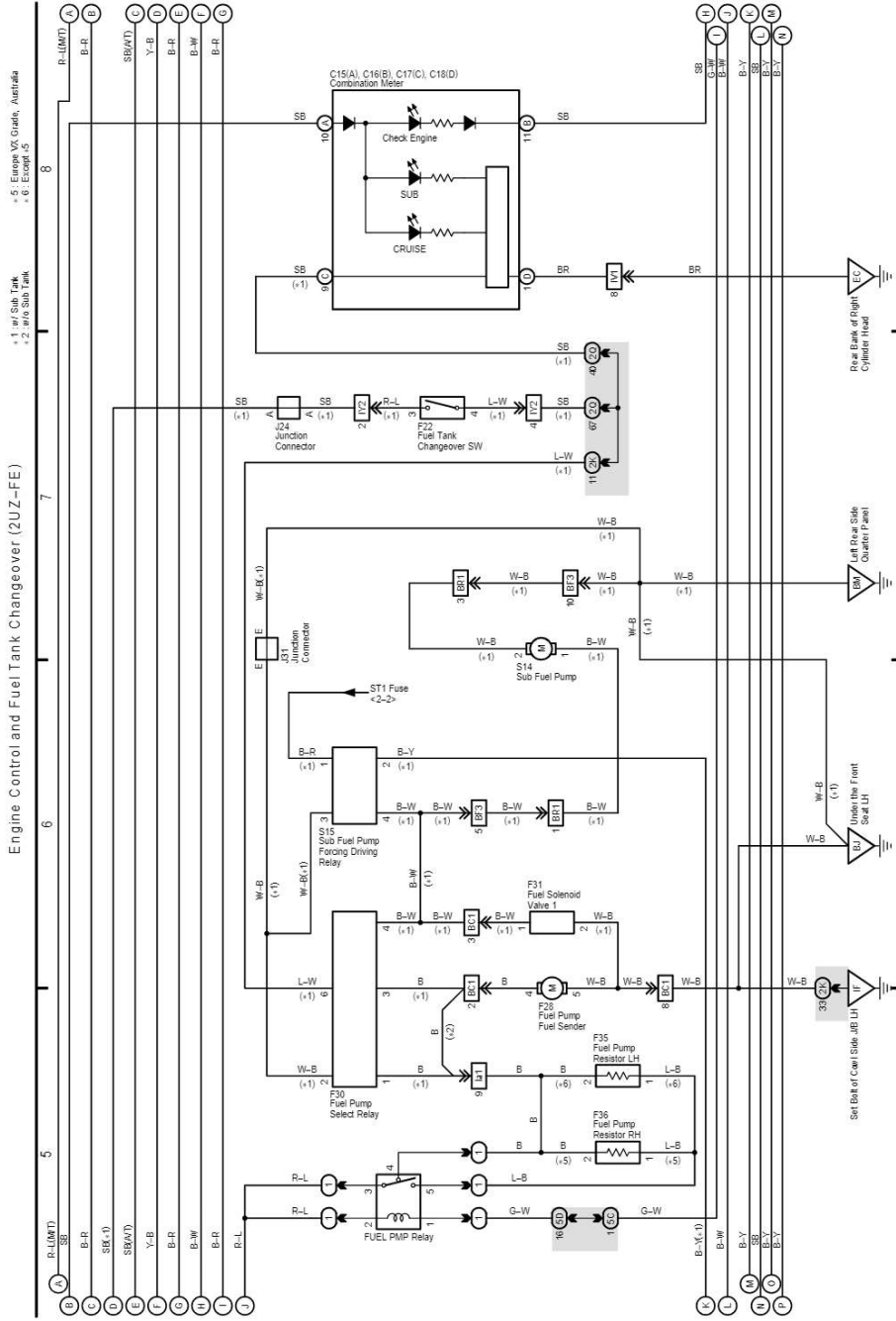
H OVERALL ELECTRICAL WIRING DIAGRAM

8 LAND CRUISER (RHD)

(Cont. next page)

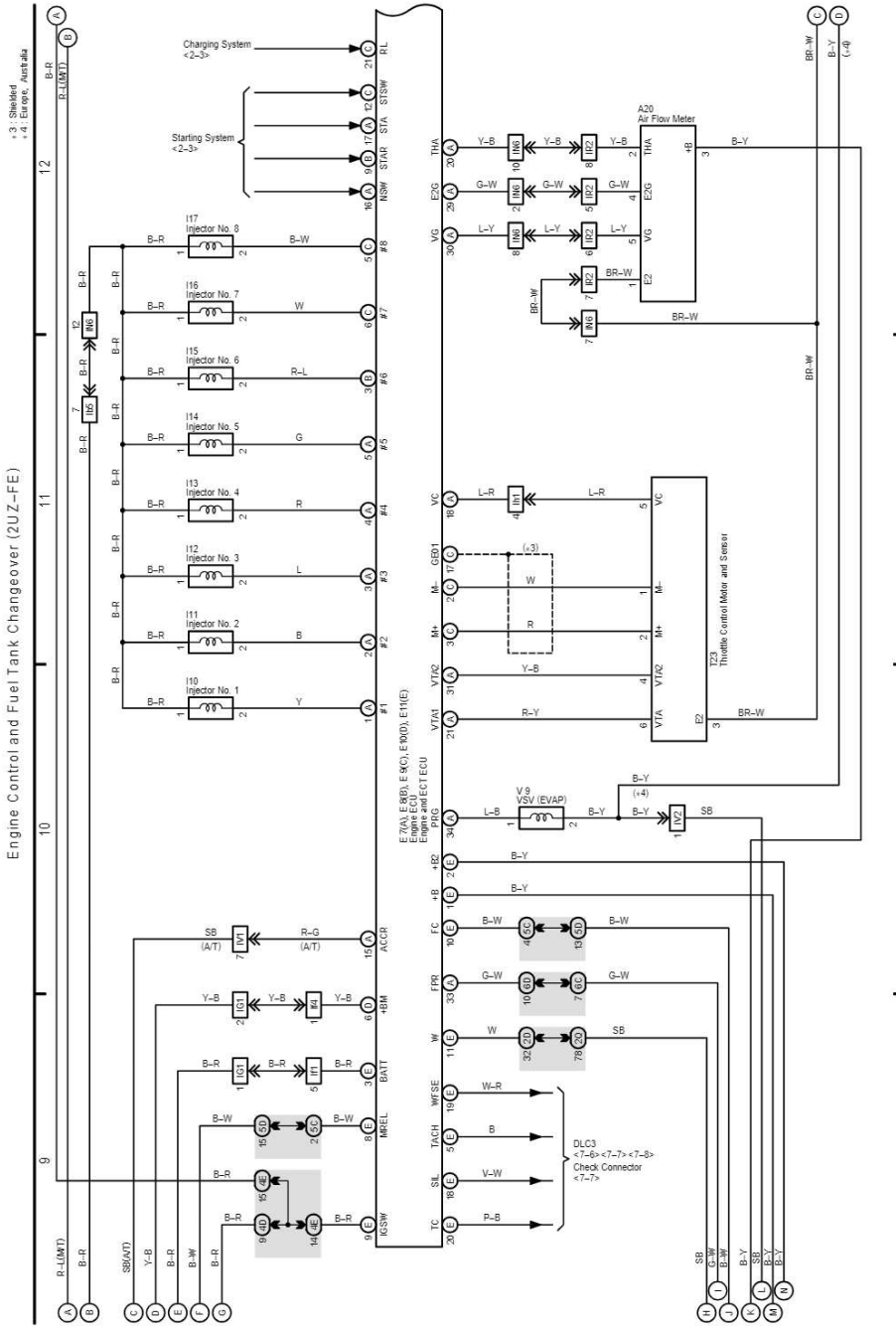


cardiagn.com



LAND CRUISER Station Wagon (EWD512E)

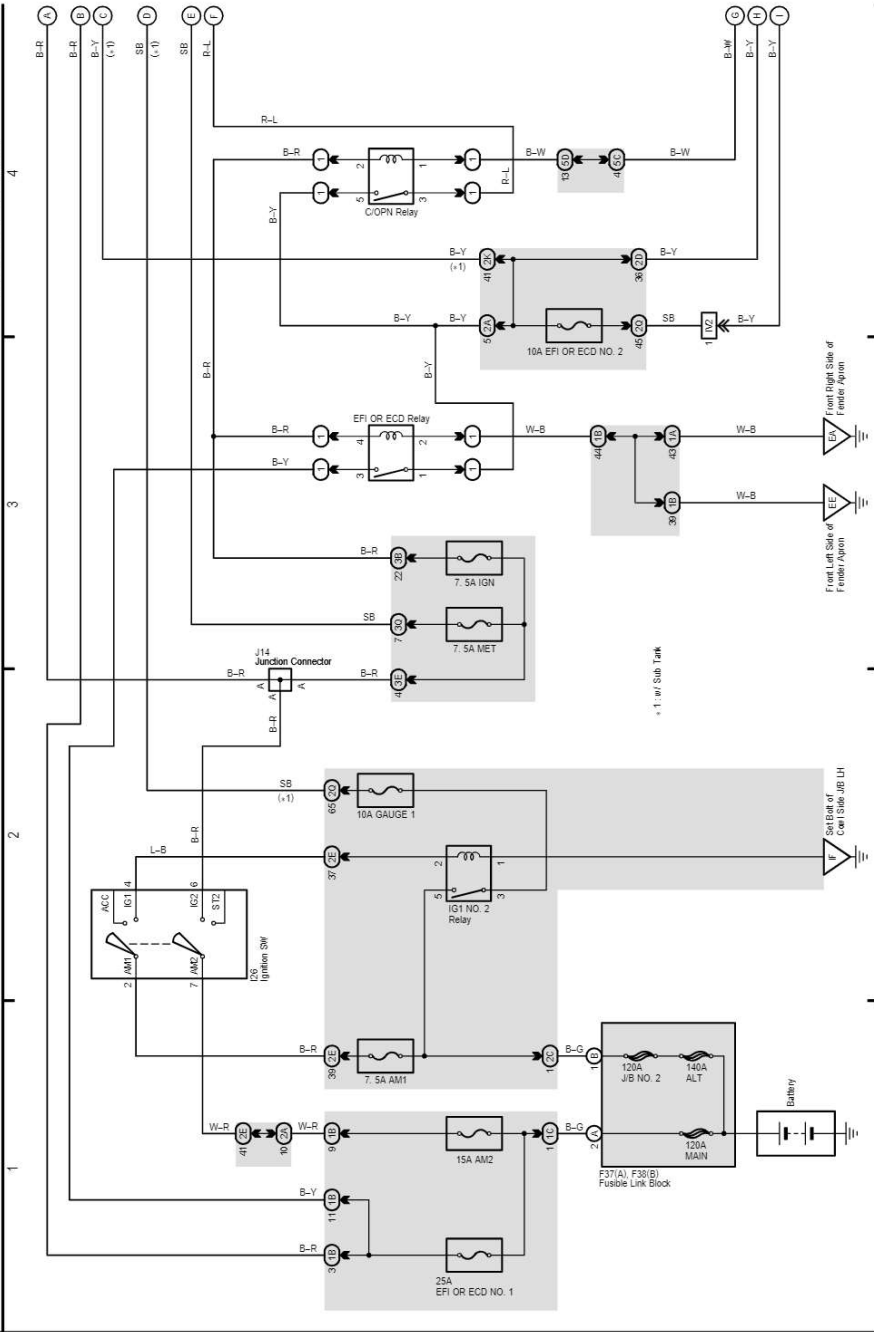
cardiagn.com



cardiagn.com

Engine Control and Fuel Tank
Changeover (1FZ-EE)

Power Source

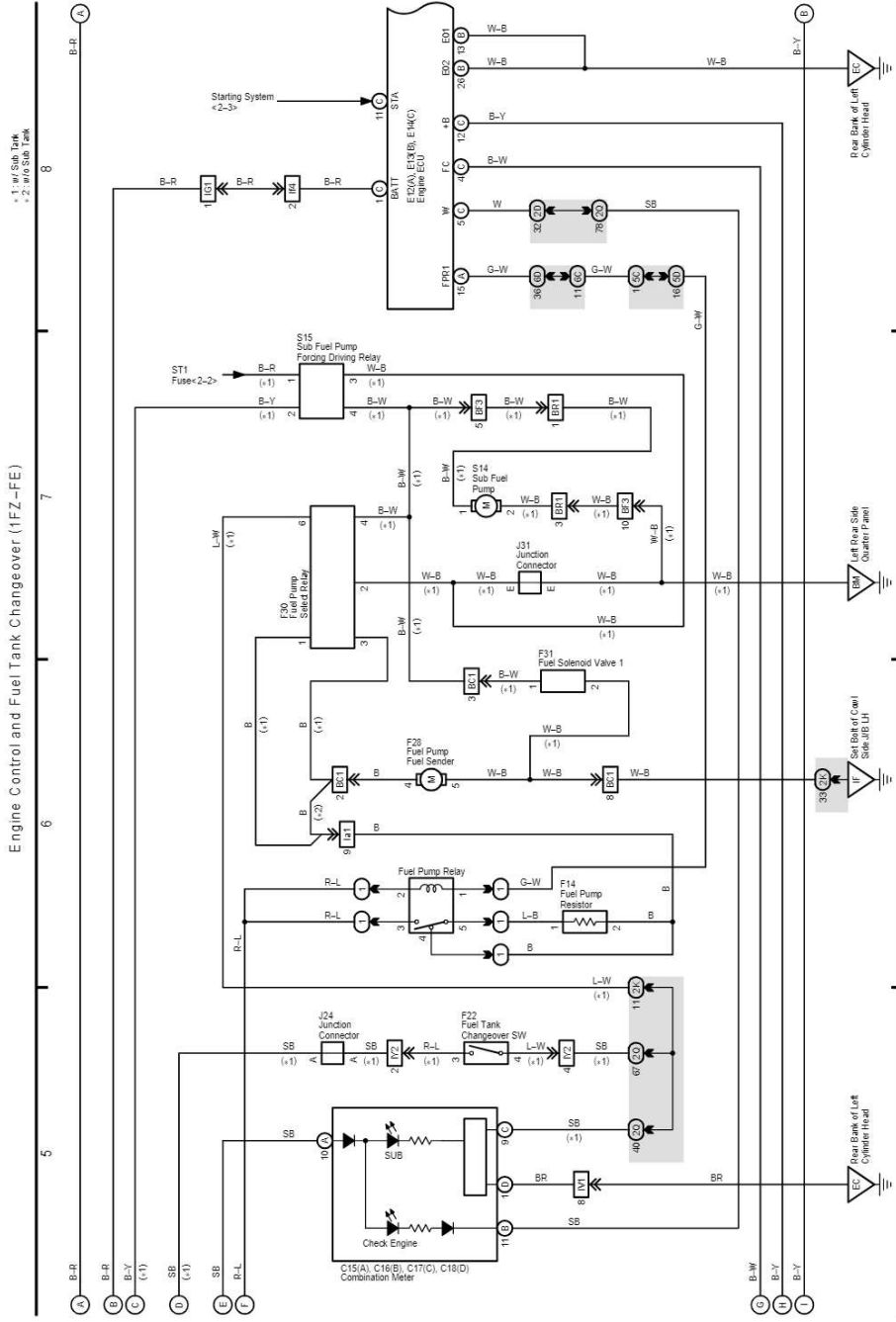


cardiagn.com

H OVERALL ELECTRICAL WIRING DIAGRAM

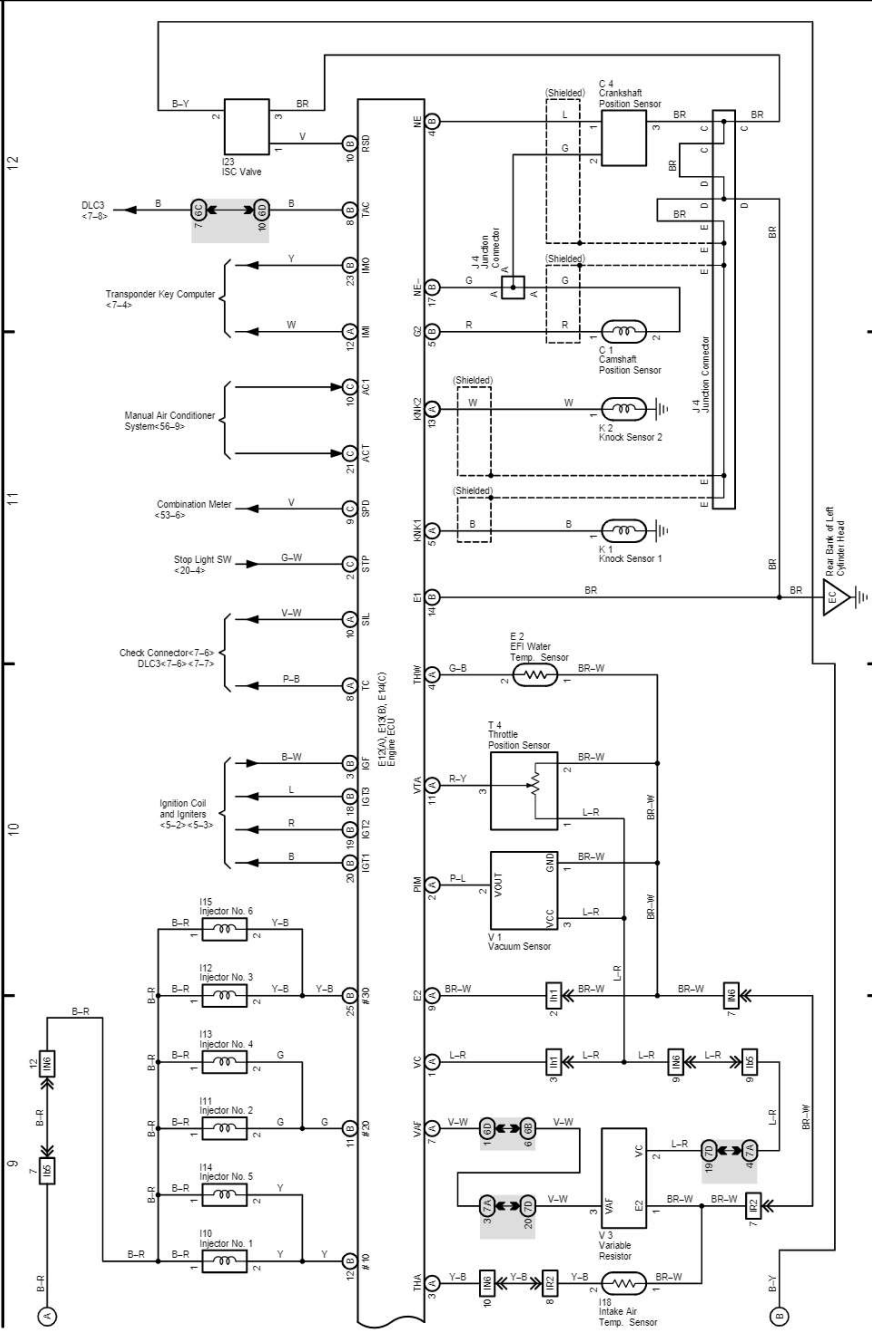
9 LAND CRUISER (RHD) (Cont'd)

(Cont. next page)



cardiagn.com

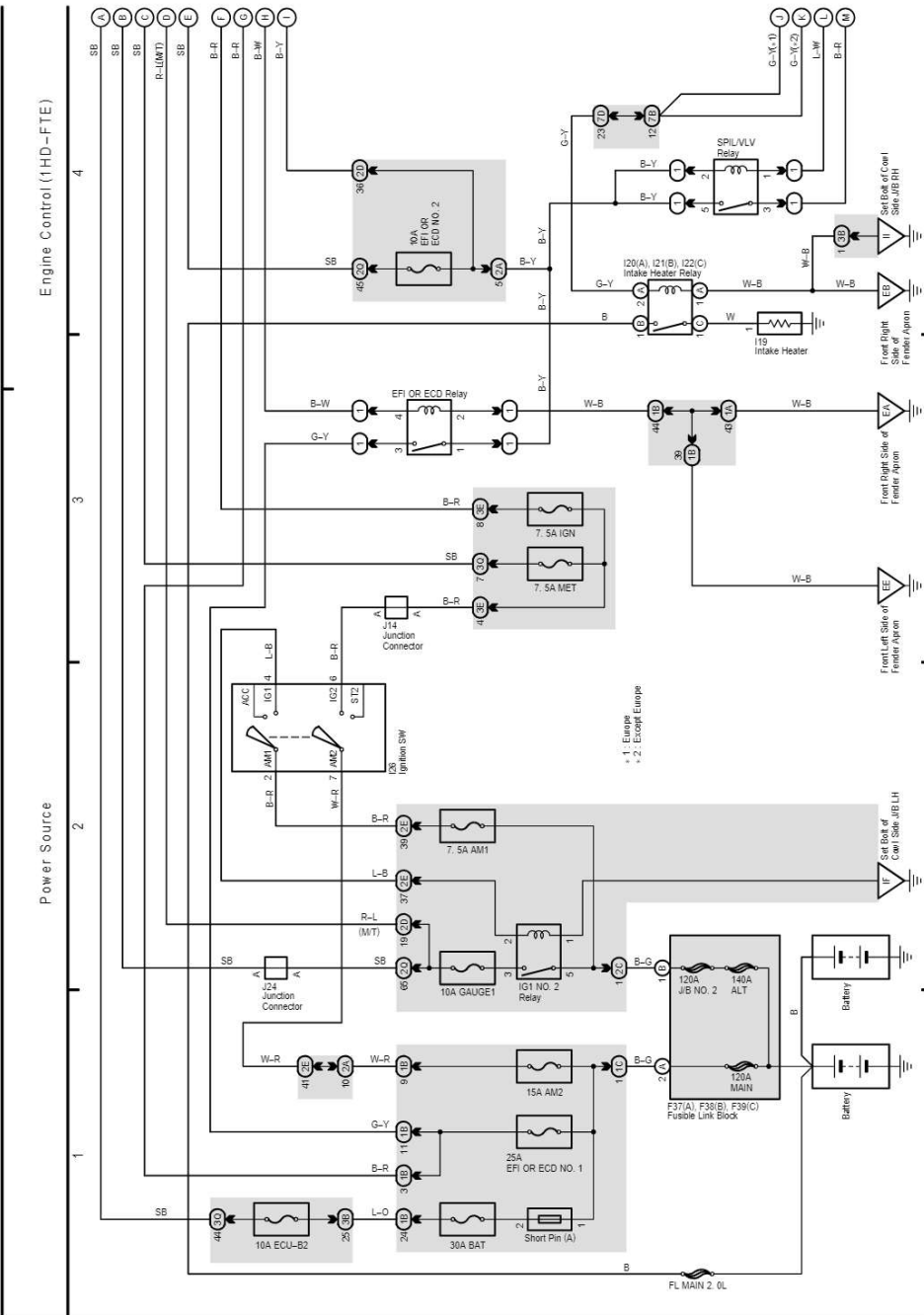
Engine Control and Fuel Tank Changeover (1FZ-FE)



LAND CRUISER Station Wagon (EWD512E)

H OVERALL ELECTRICAL WIRING DIAGRAM

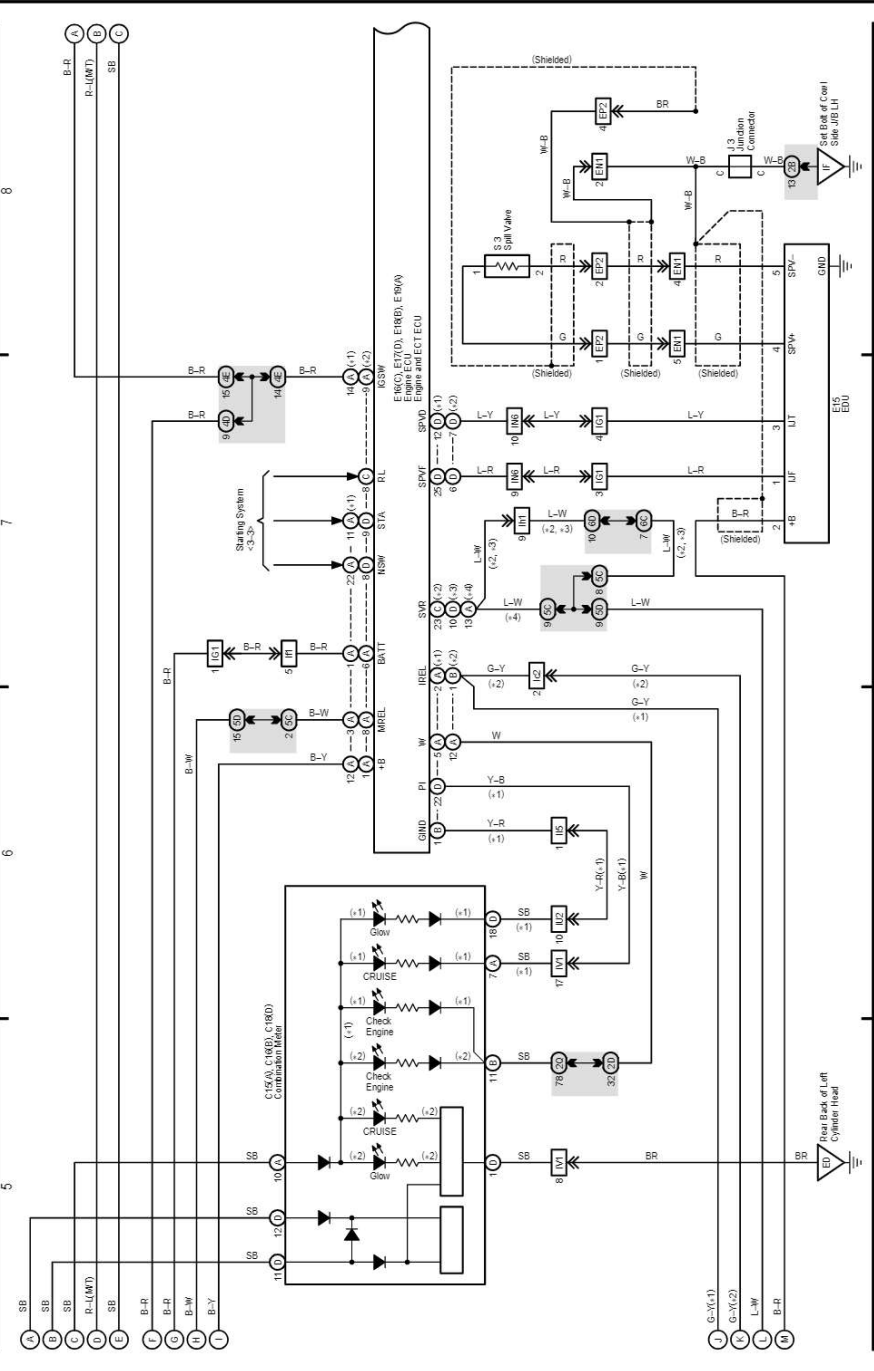
10 LAND CRUISER (RHD) (Cont. next page)



cardiagn.com

- .1 Europe
- .2 Except .1
- .3 New Zealand, South Africa
- .4 Europe Except .3

Engine Control (IHD-FTE)



LAND CRUISER Station Wagon (EWD512E)

cardiagn.com

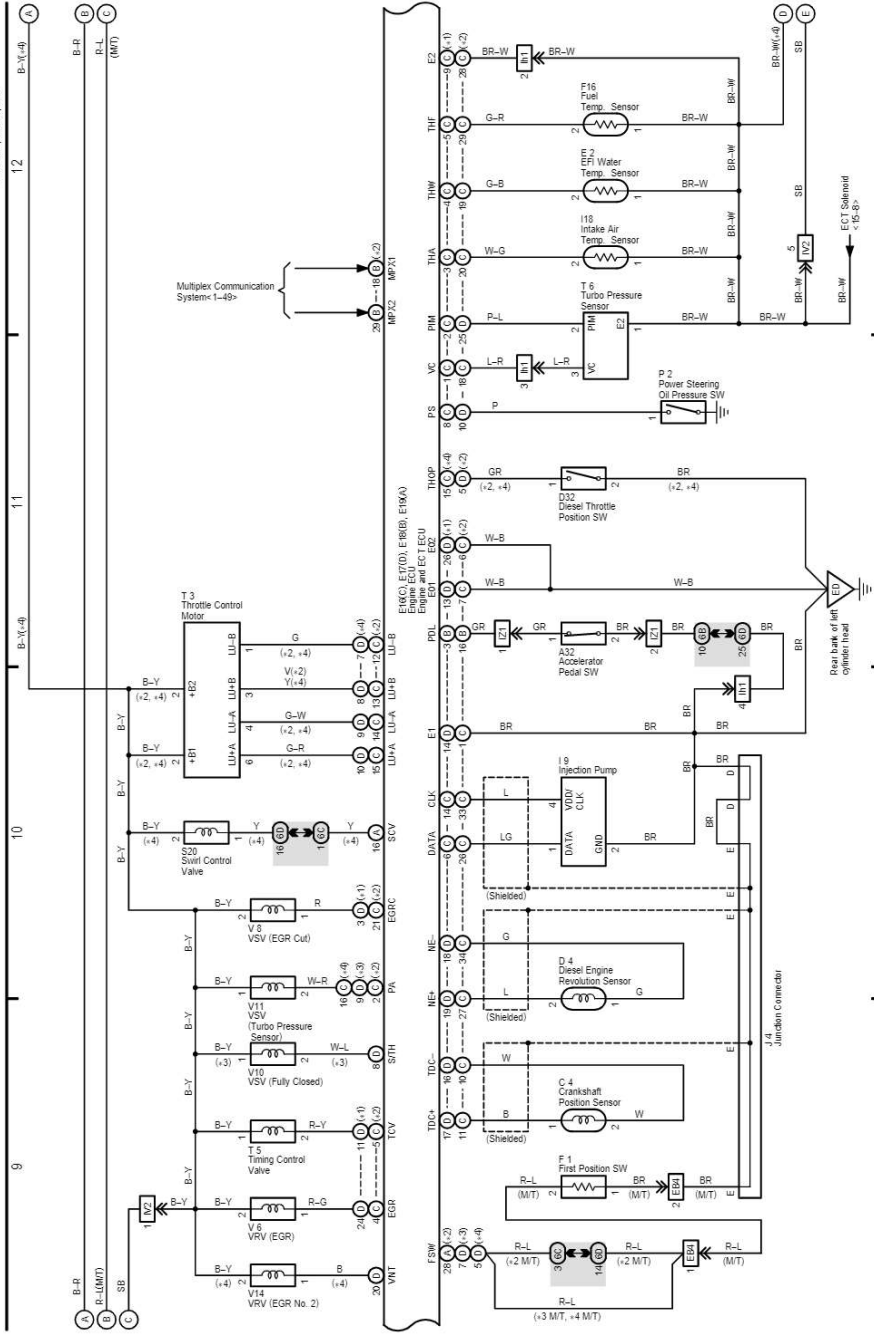
H OVERALL ELECTRICAL WIRING DIAGRAM

10 LAND CRUISER (RHD) (Cont' d)

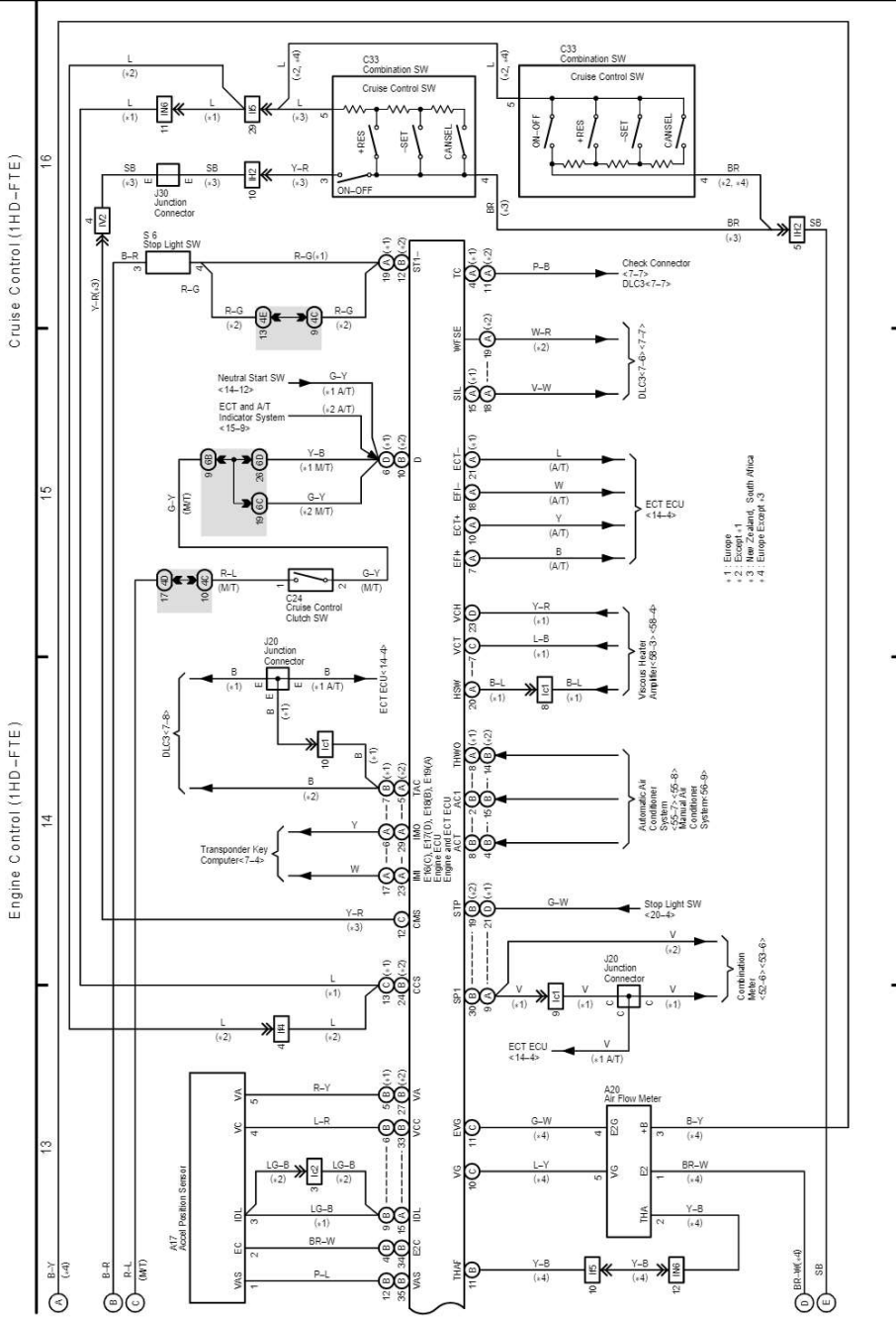
(Cont. next page)

- *1: Europe
- *2: Except *1
- *3: New Zealand, South Africa
- *4: Europe Except *3

Engine Control (IHD-FTE)

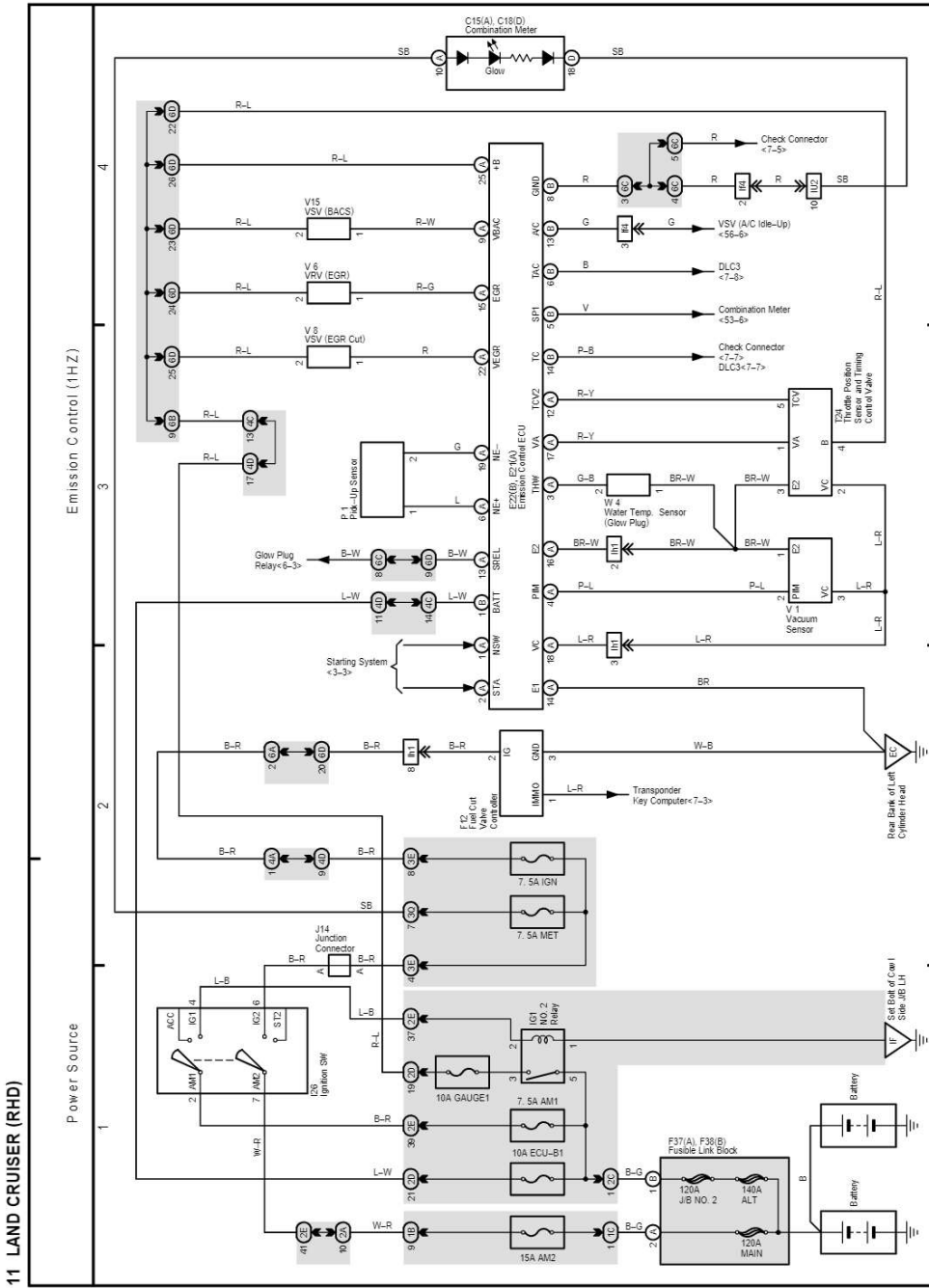


cardiagn.com



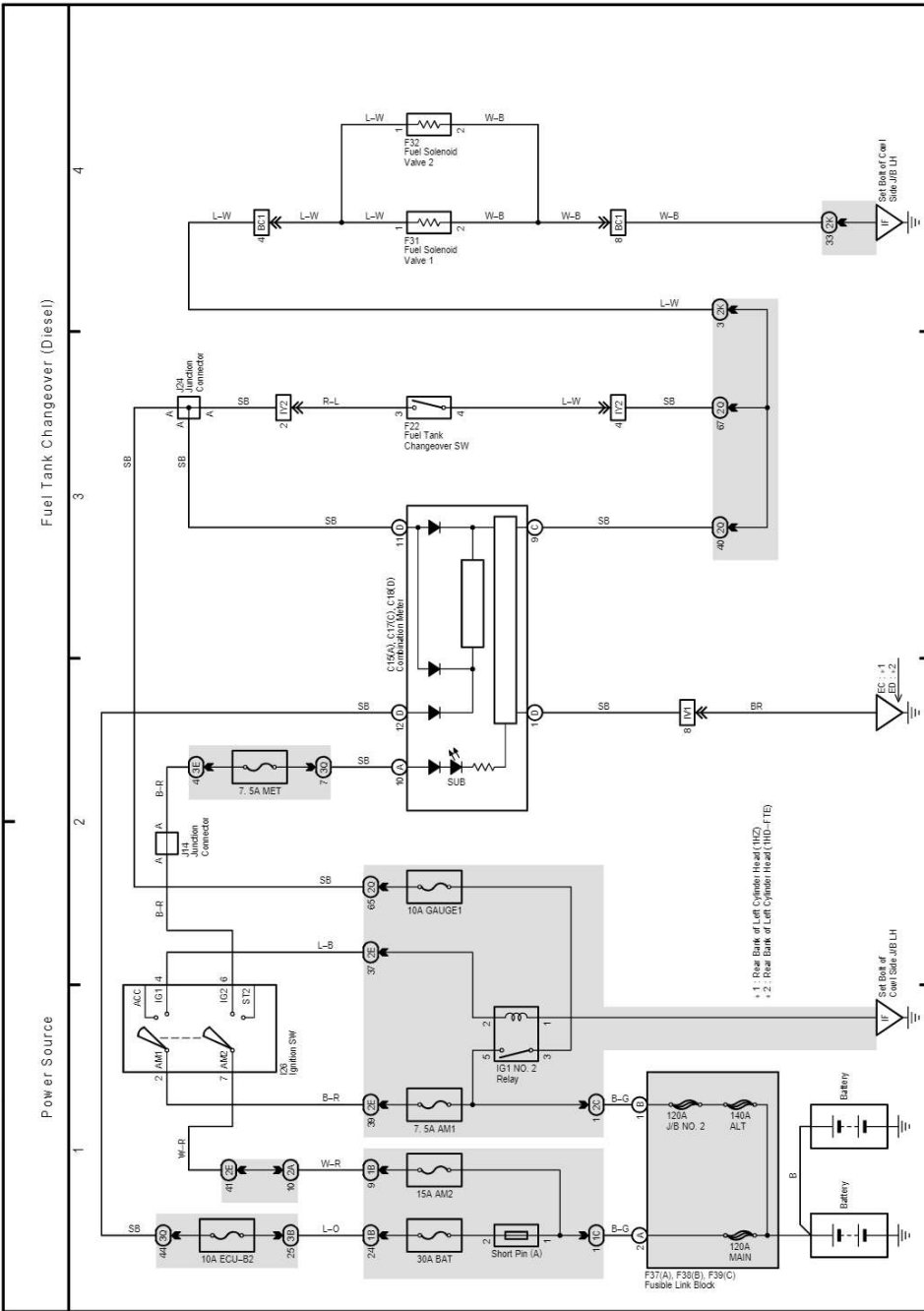
LAND CRUISER Station Wagon (EWD512E)

H OVERALL ELECTRICAL WIRING DIAGRAM



cardiagn.com

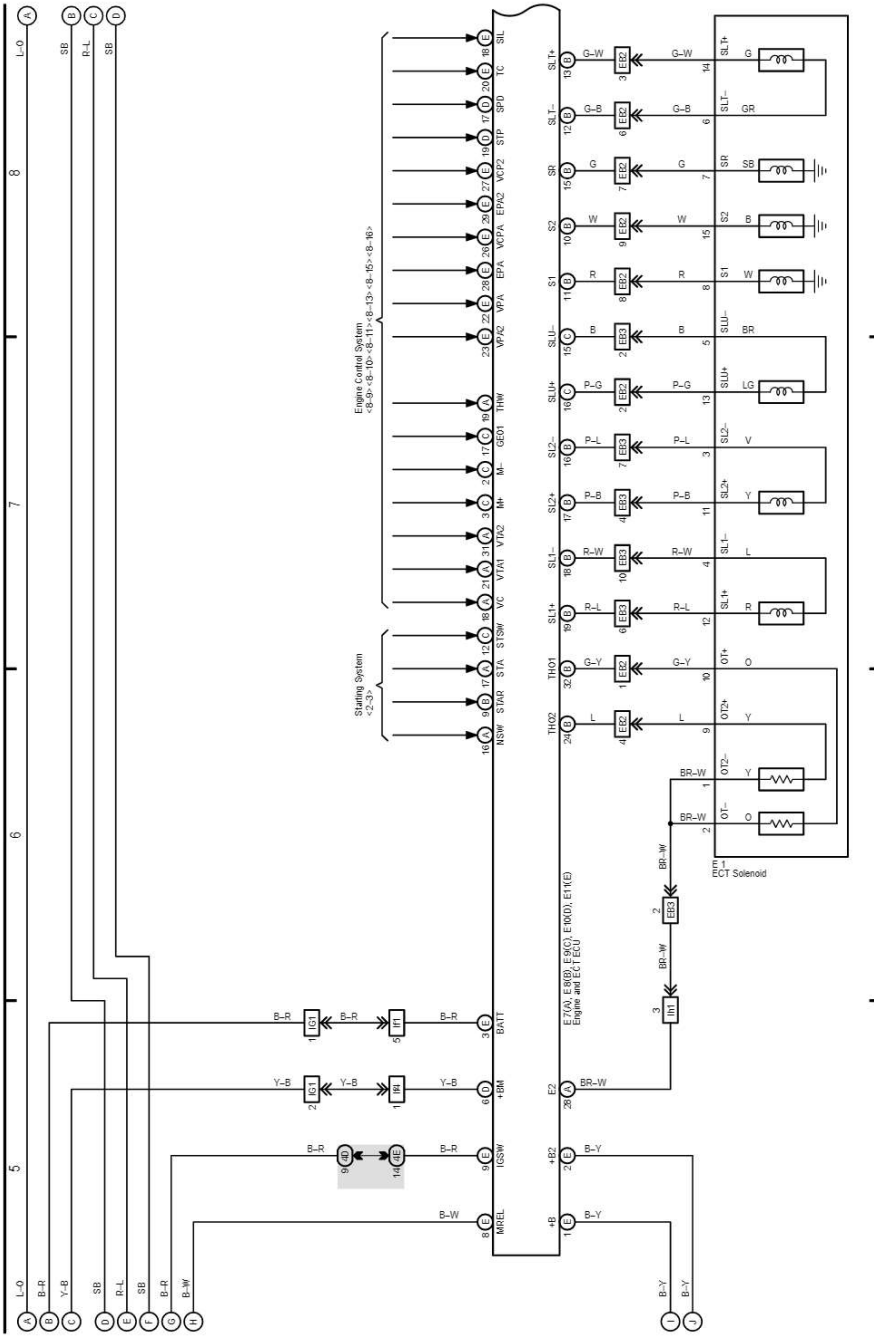
12 LAND CRUISER (RHD)



cardiagn.com

LAND CRUISER Station Wagon (EWD512E)

ECT and A/T Indicator (2UZ-FE)



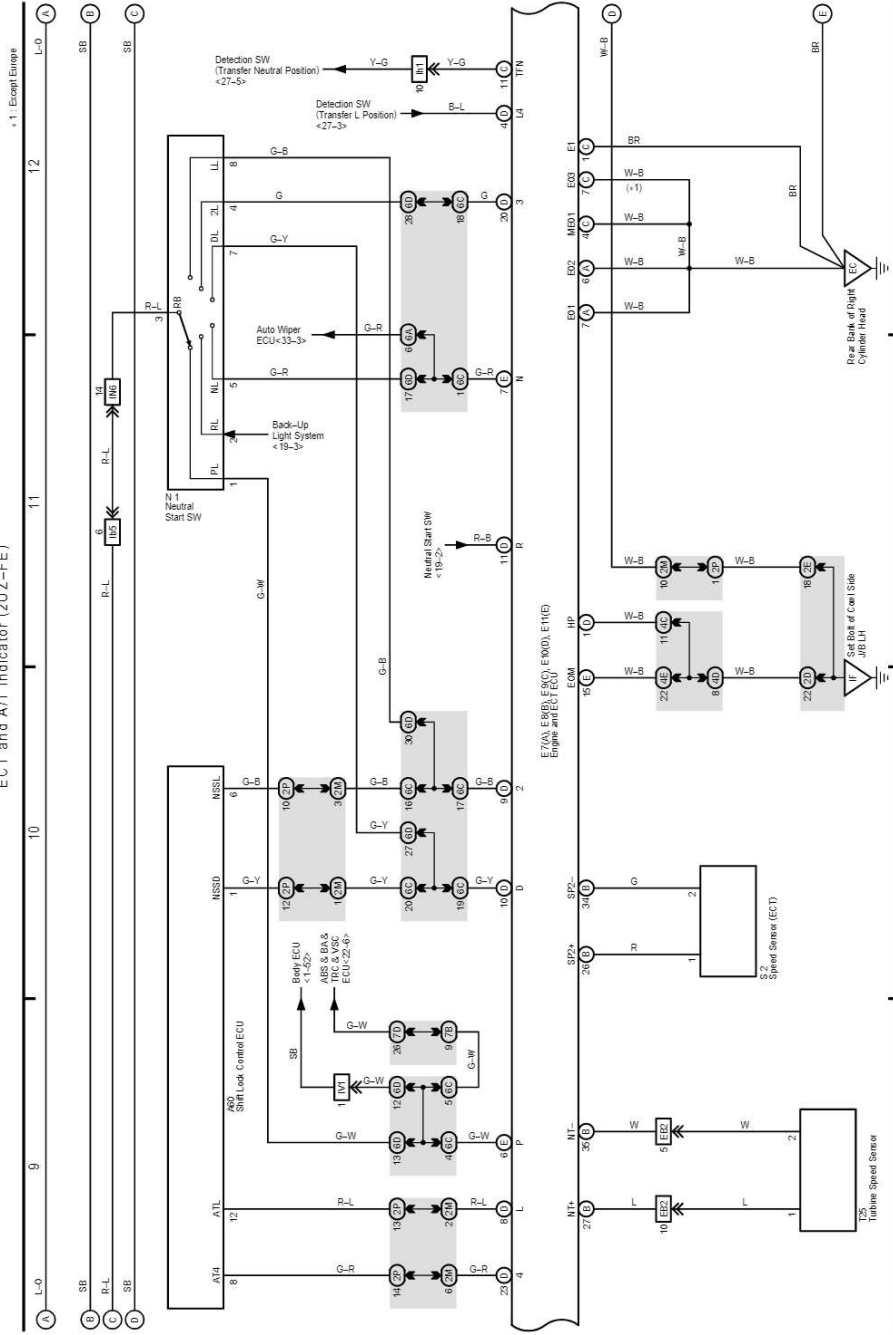
cardiagn.com

H OVERALL ELECTRICAL WIRING DIAGRAM

13 LAND CRUISER (RHD) (Cont' d)

(Cont. next page)

ECT and A/T Indicator (2UZ-FE)

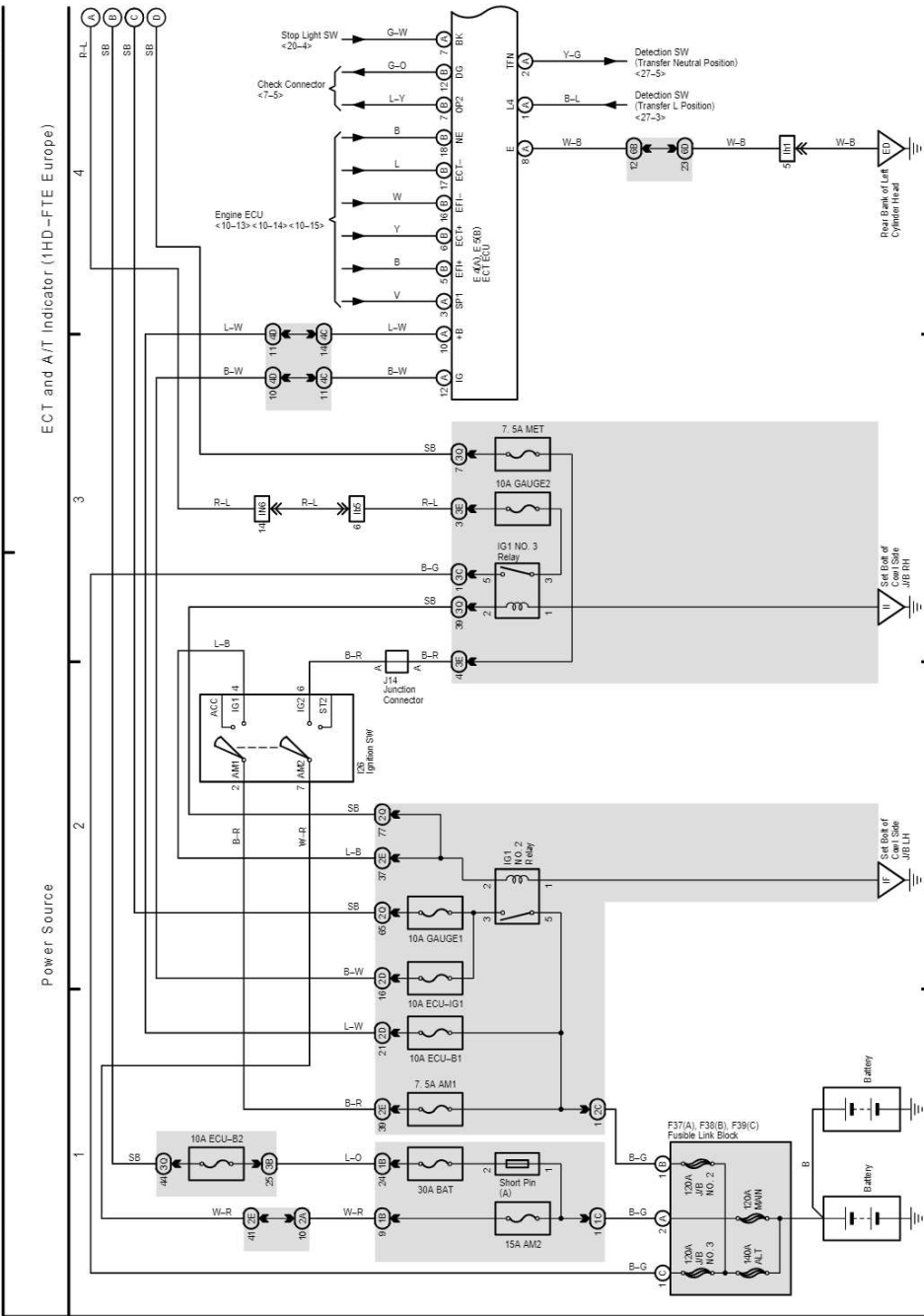


cardiagn.com

H OVERALL ELECTRICAL WIRING DIAGRAM

14 LAND CRUISER (RHD)

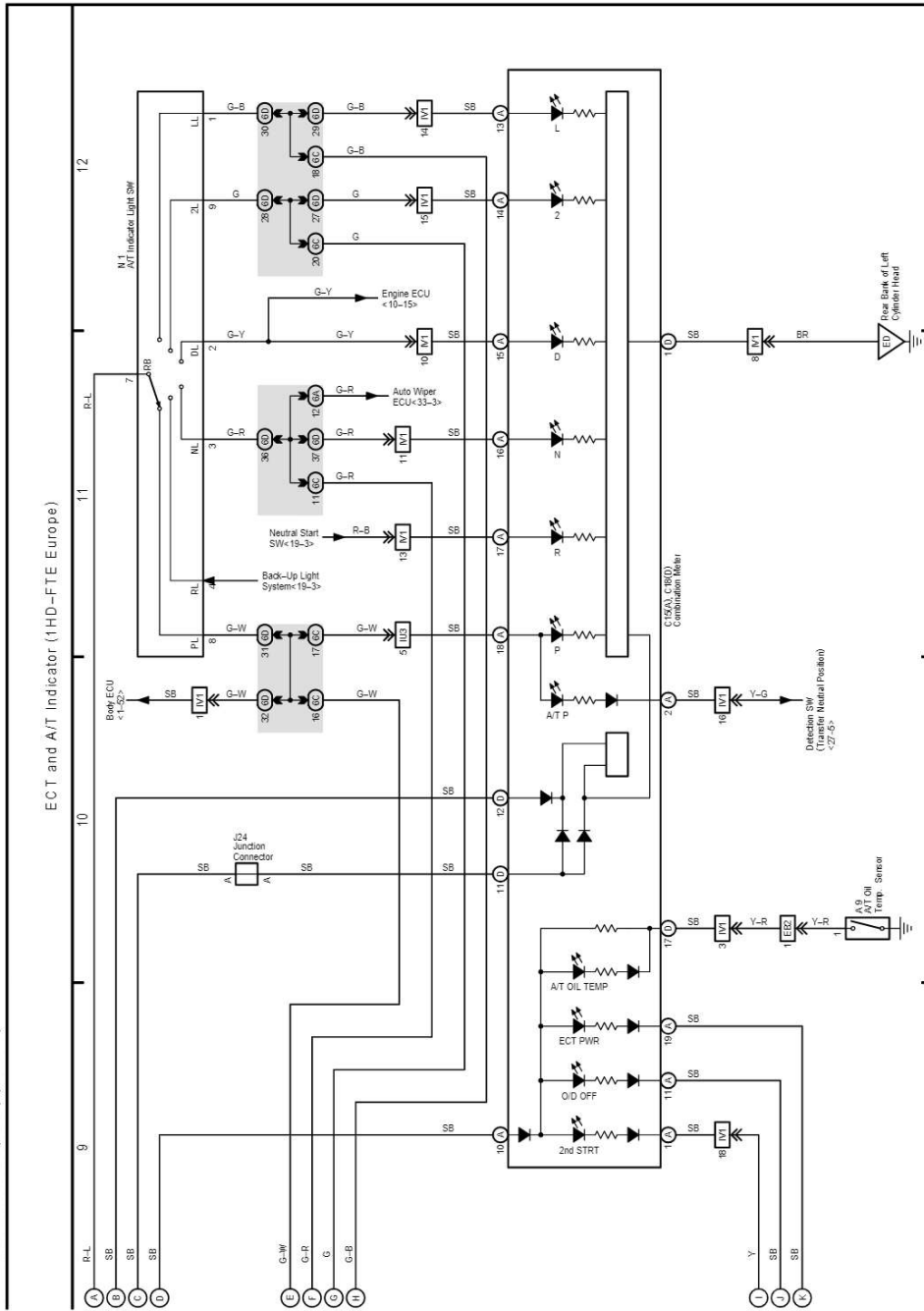
(Cont. next page)



cardiagn.com

H OVERALL ELECTRICAL WIRING DIAGRAM

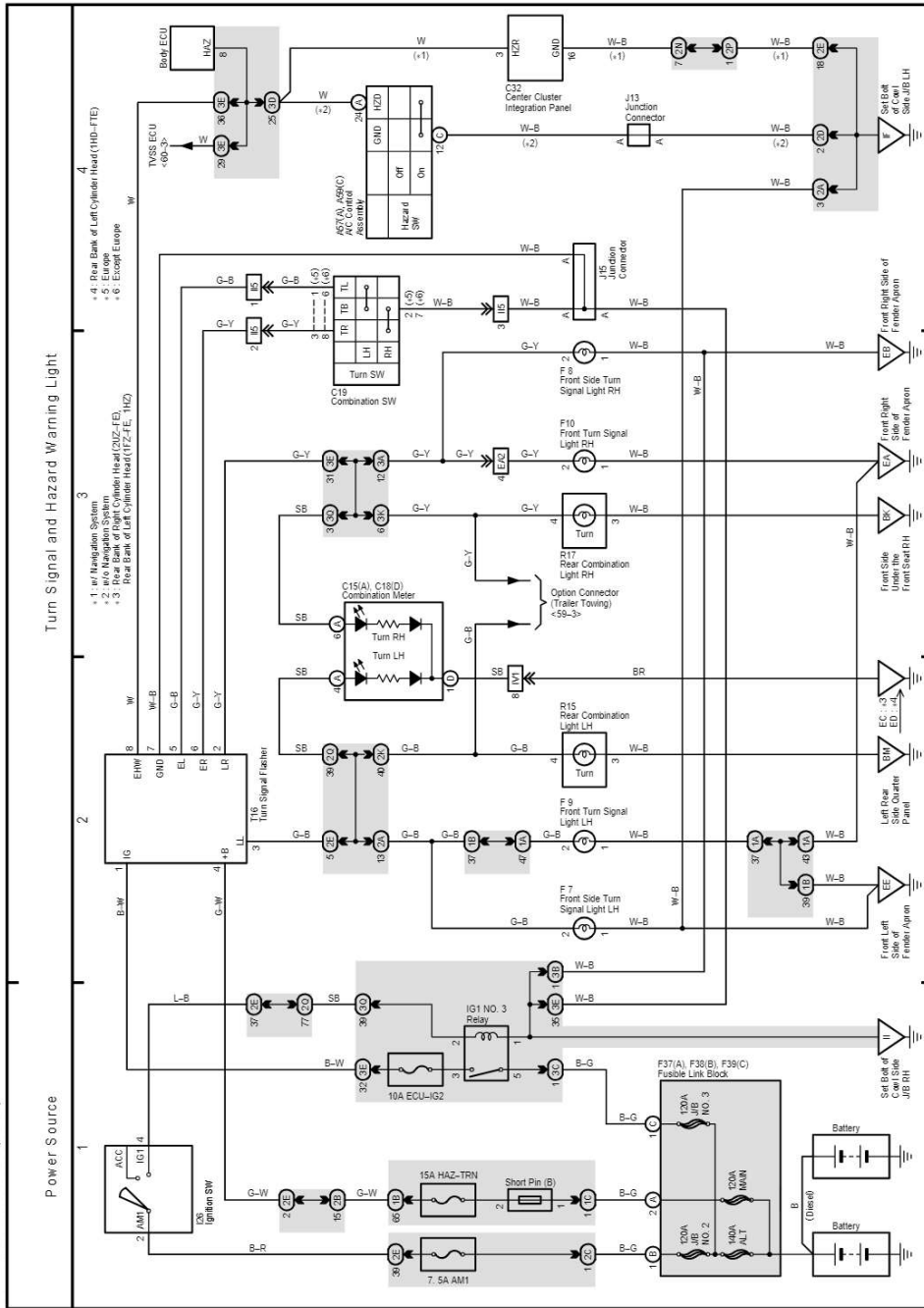
14 LAND CRUISER (RHD) (Cont' d)



cardiagn.com

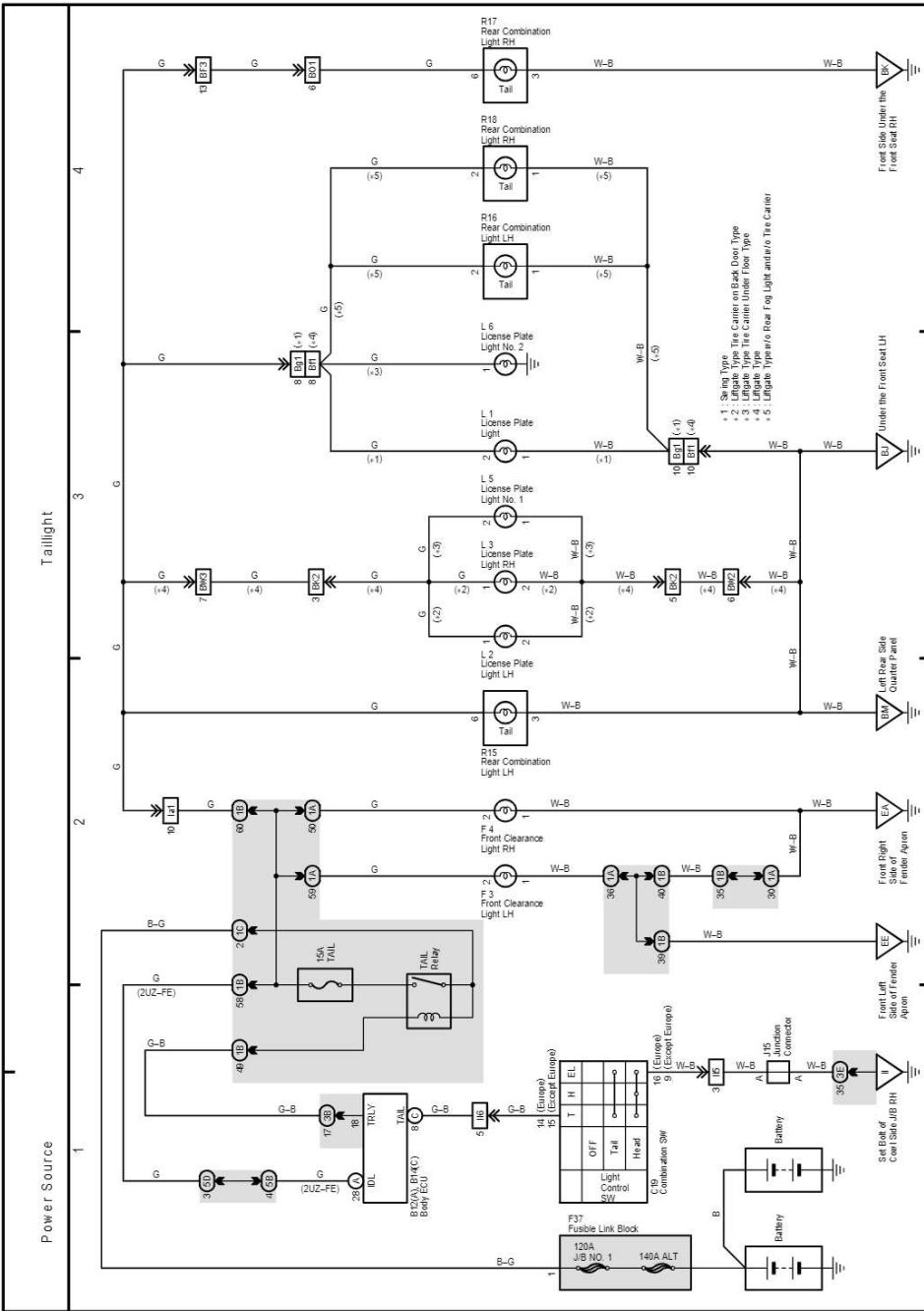
H OVERALL ELECTRICAL WIRING DIAGRAM

16 LAND CRUISER (RHD)



cardiagn.com

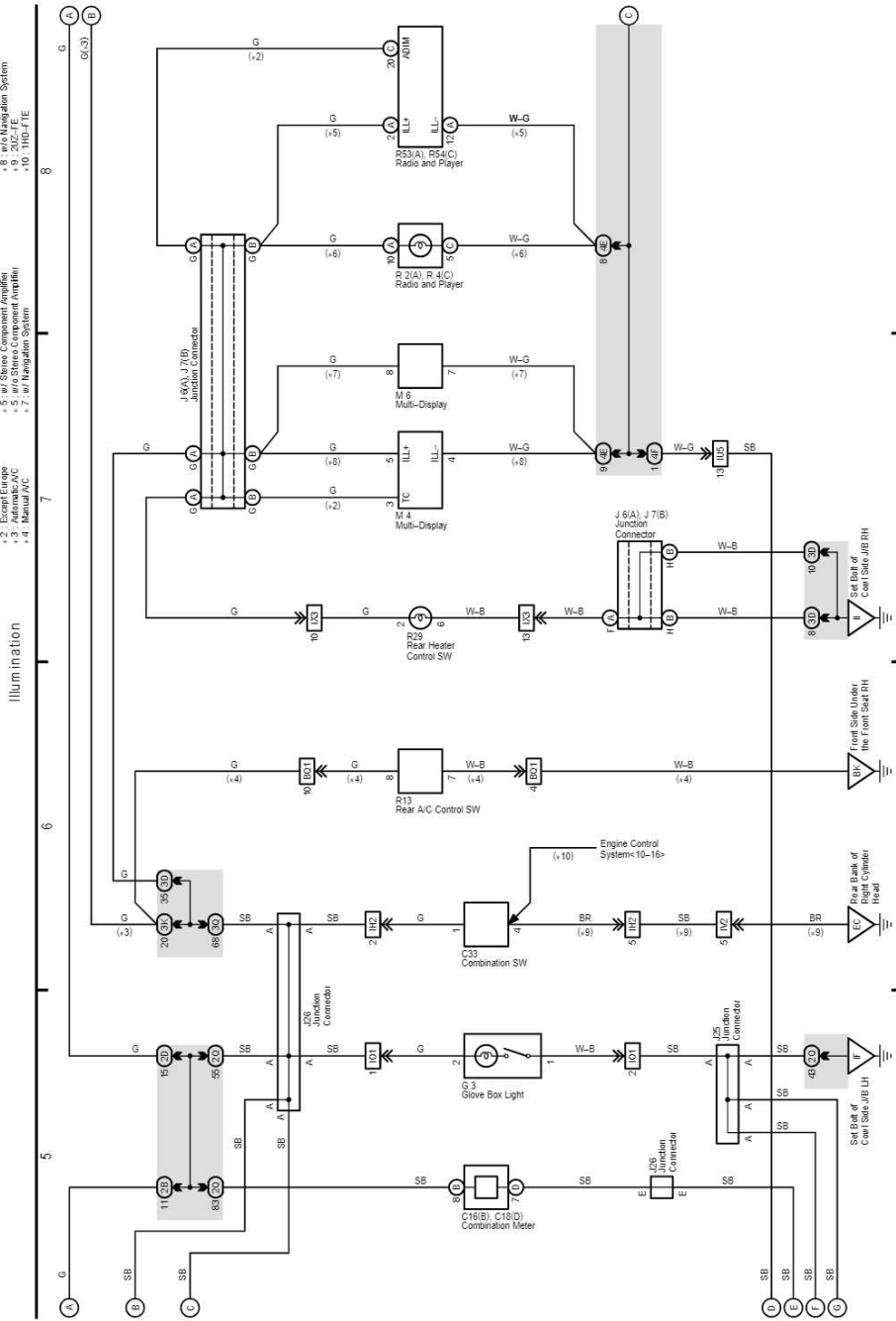
17 LAND CRUISER (RHD)



cardiagn.com

LAND CRUISER Station Wagon (EWD512E)

18 LAND CRUISER (RHD) (Cont' d)

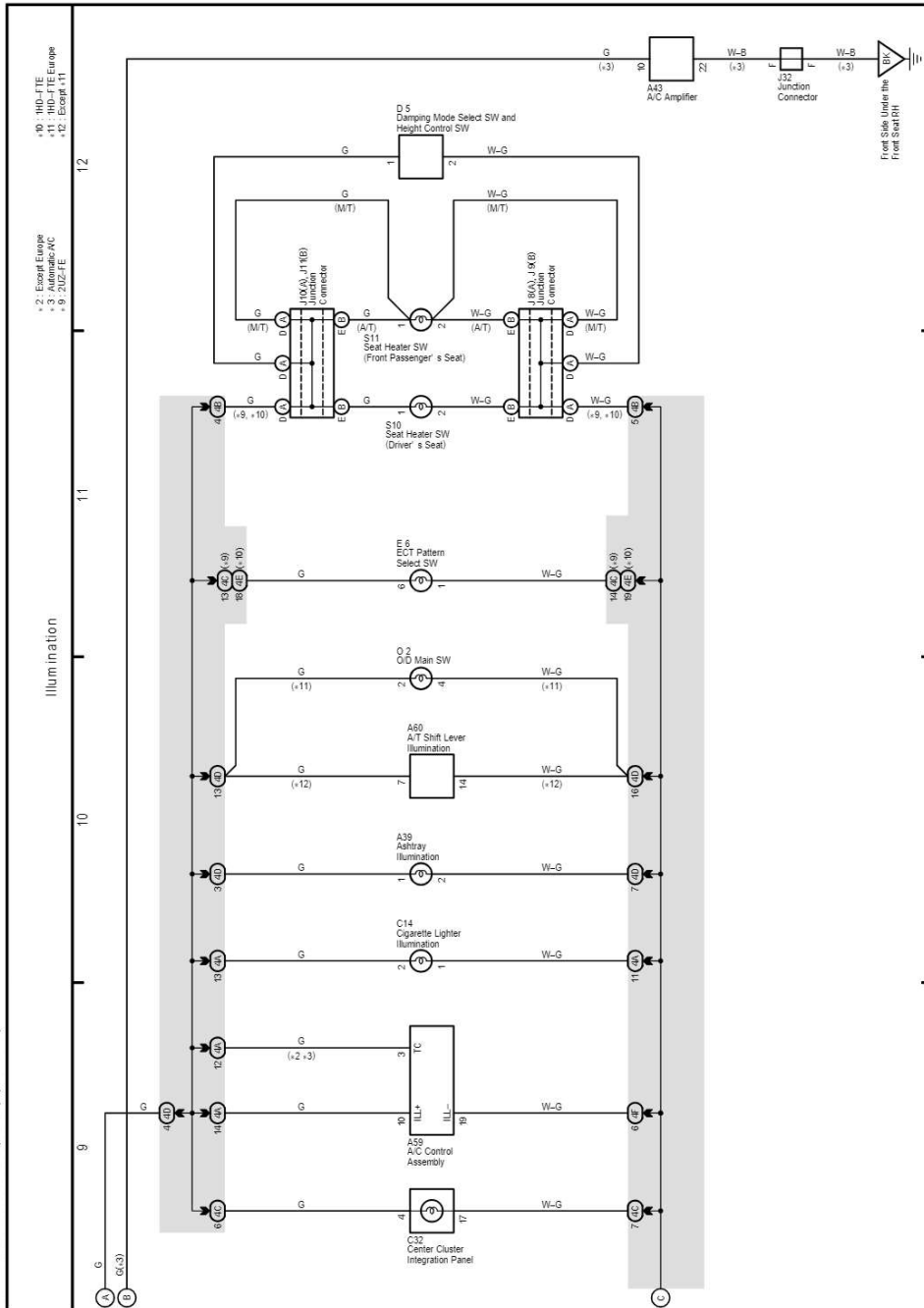


LAND CRUISER Station Wagon (EWD512E)

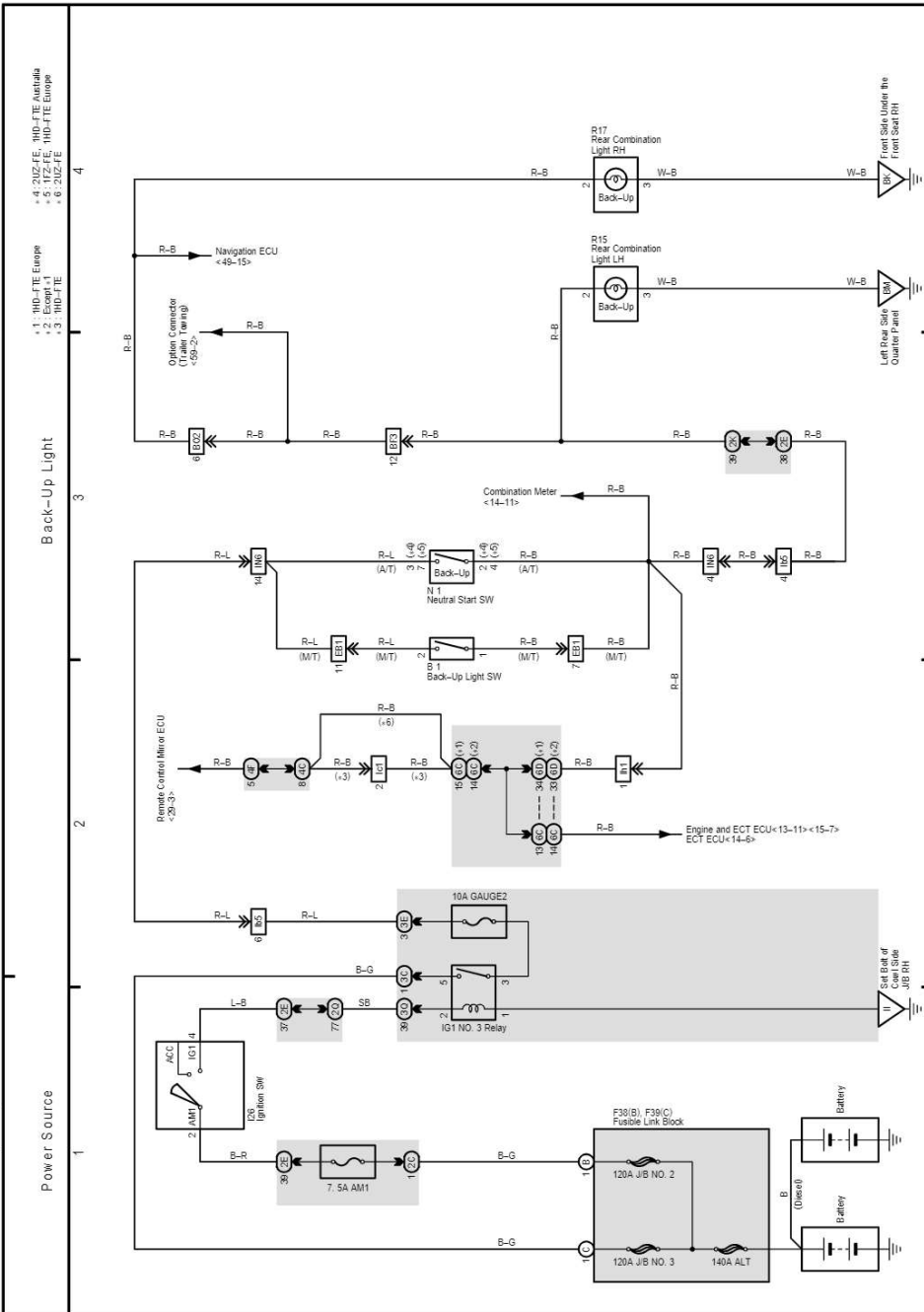
cardiagn.com

H OVERALL ELECTRICAL WIRING DIAGRAM

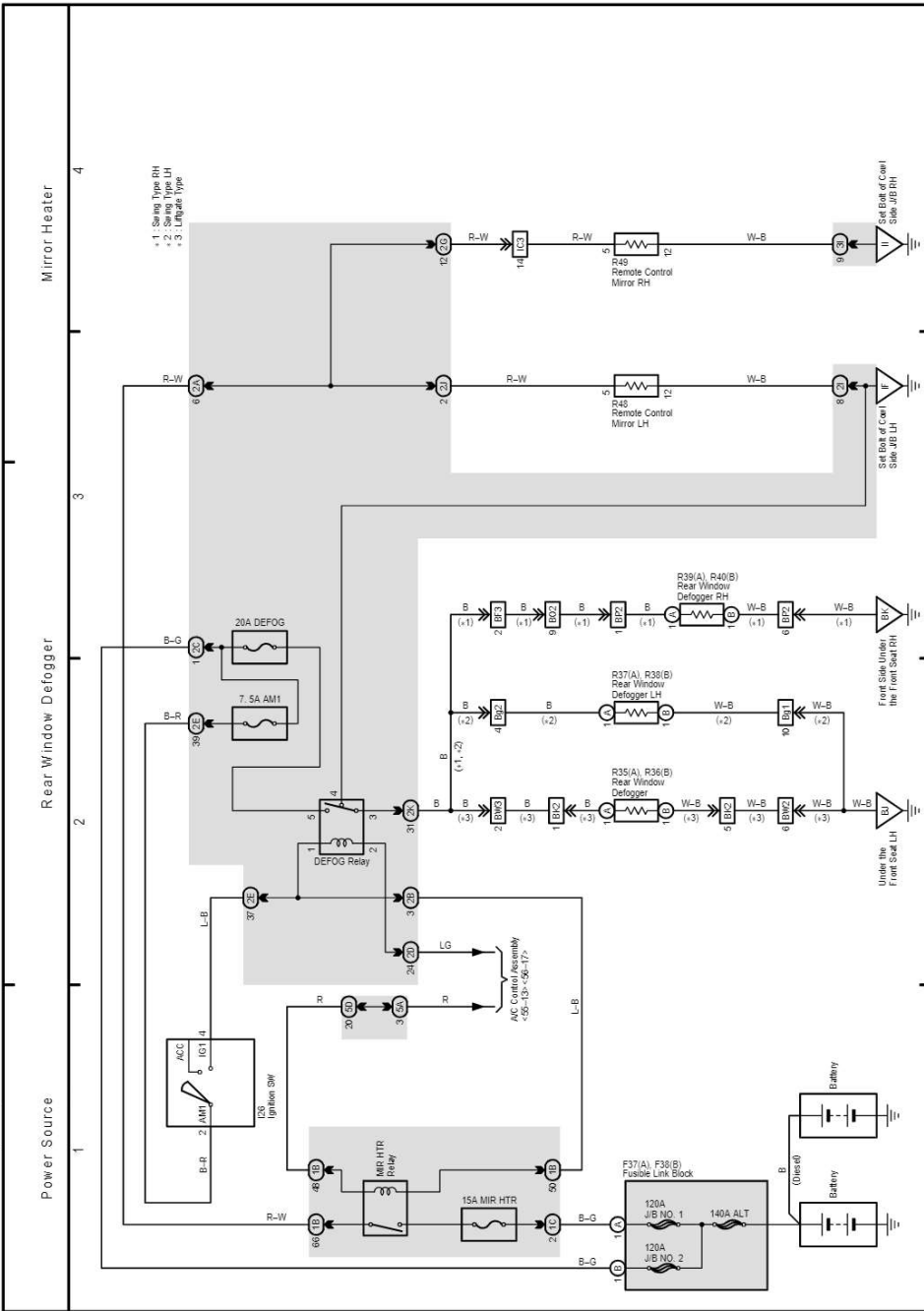
18 LAND CRUISER (RHD) (Cont' d)



cardiagn.com

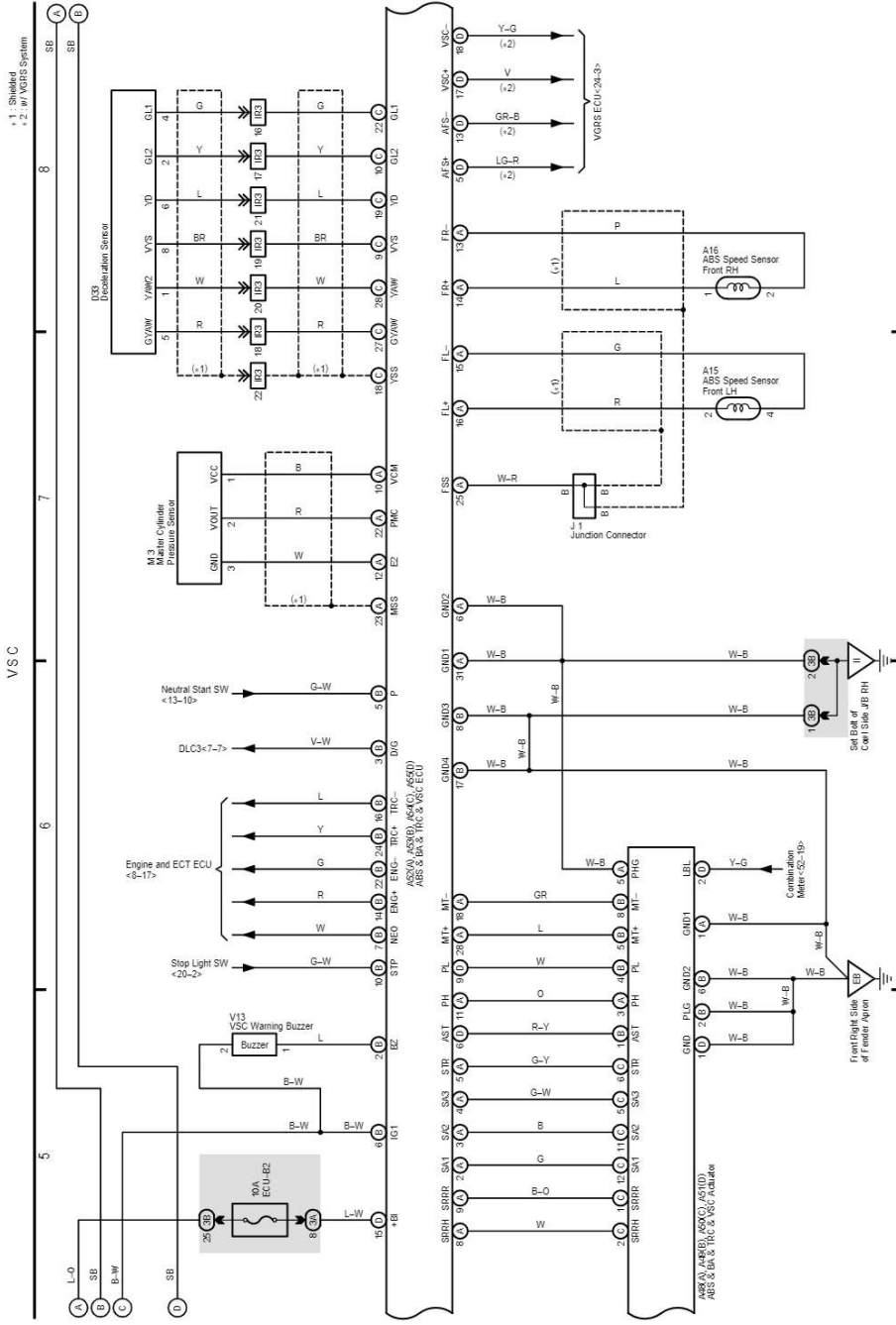


cardiagn.com



cardiagn.com

LAND CRUISER Station Wagon (EWD512E)



LAND CRUISER Station Wagon (EWD512E)

cardiagn.com

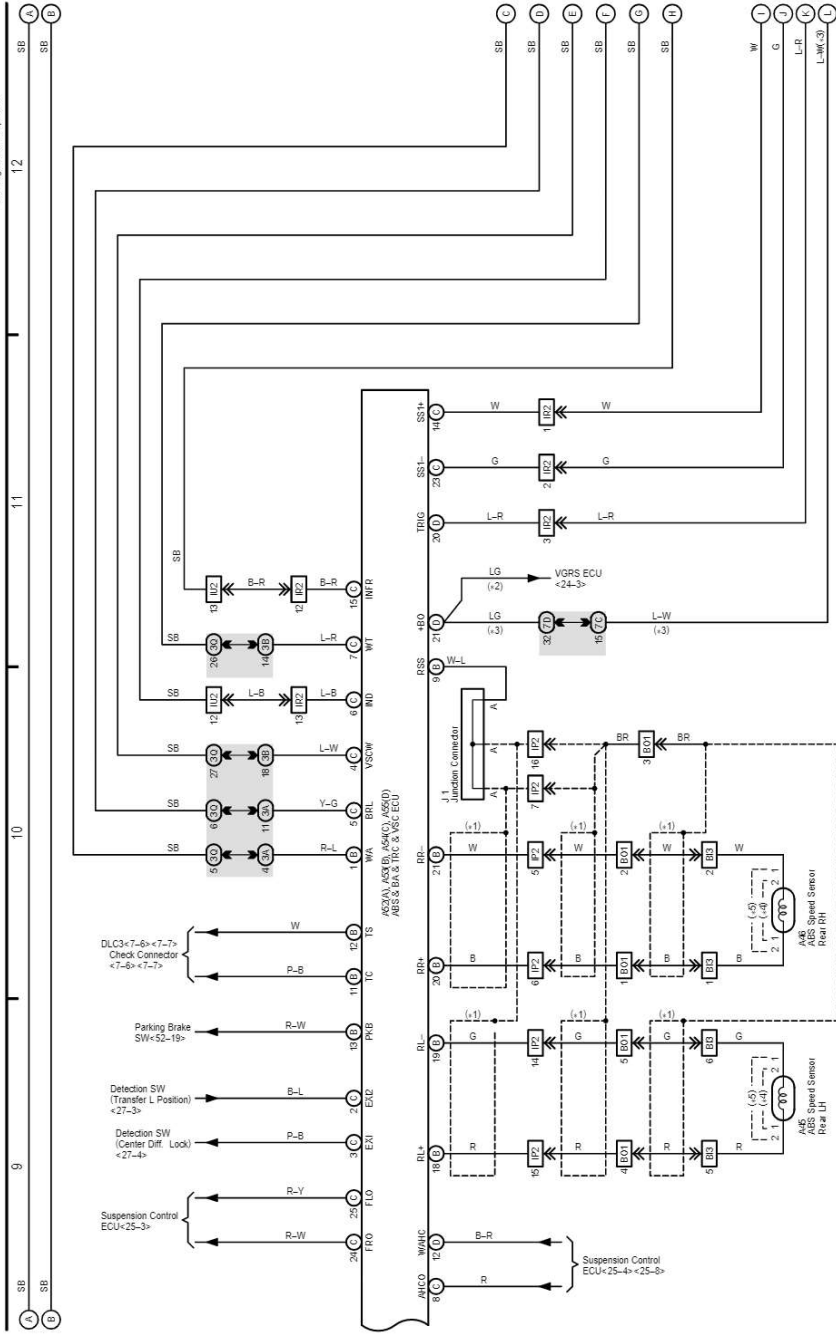
H OVERALL ELECTRICAL WIRING DIAGRAM

22 LAND CRUISER (RHD) (Cont' d)

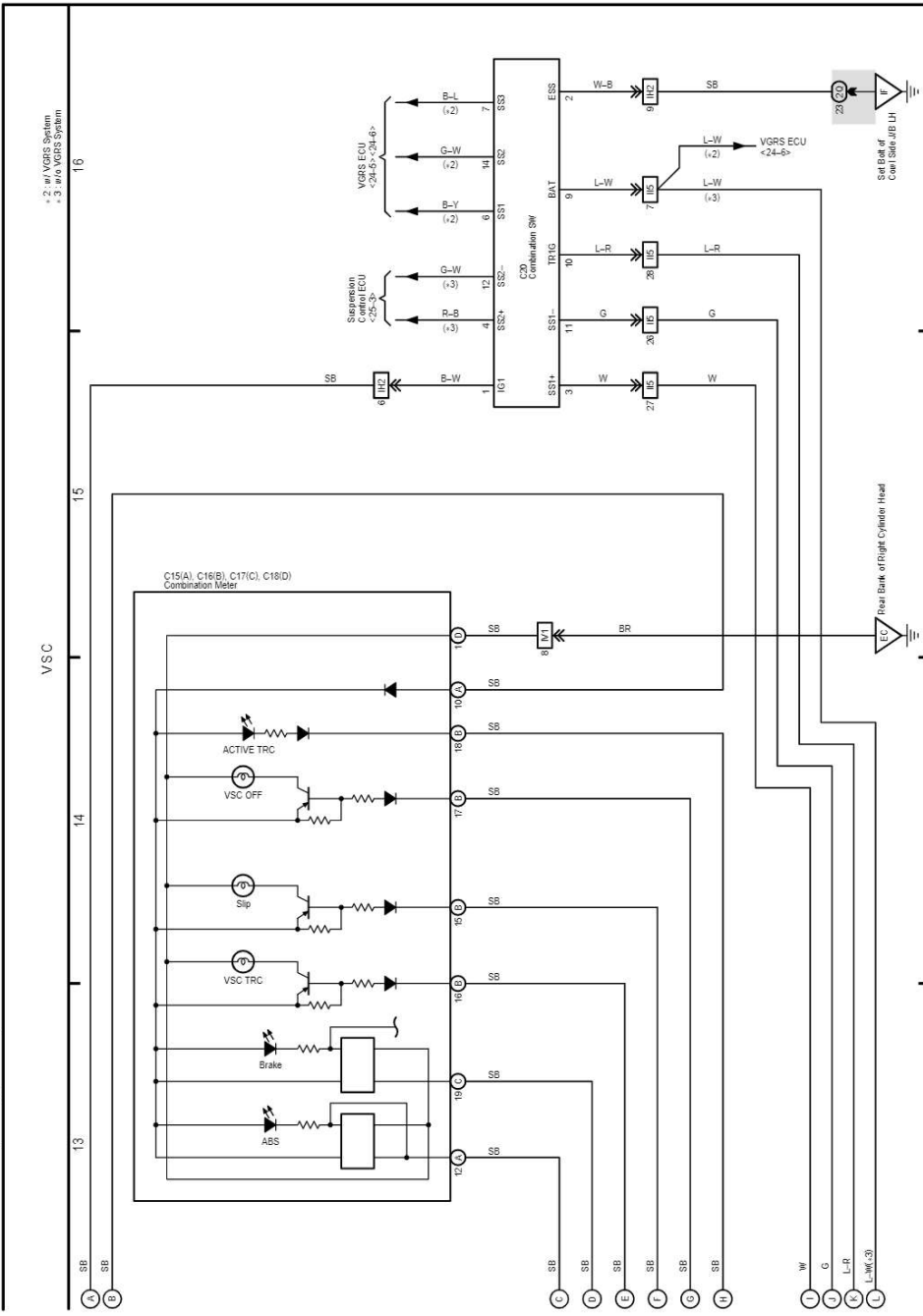
(Cont. next page)

- 1. Shielded System
- 2. W/ro VGRS System
- 3. W/ro VGRS System
- 4. Independent Suspension
- 5. Right Side Suspension

VSC



cardiagn.com

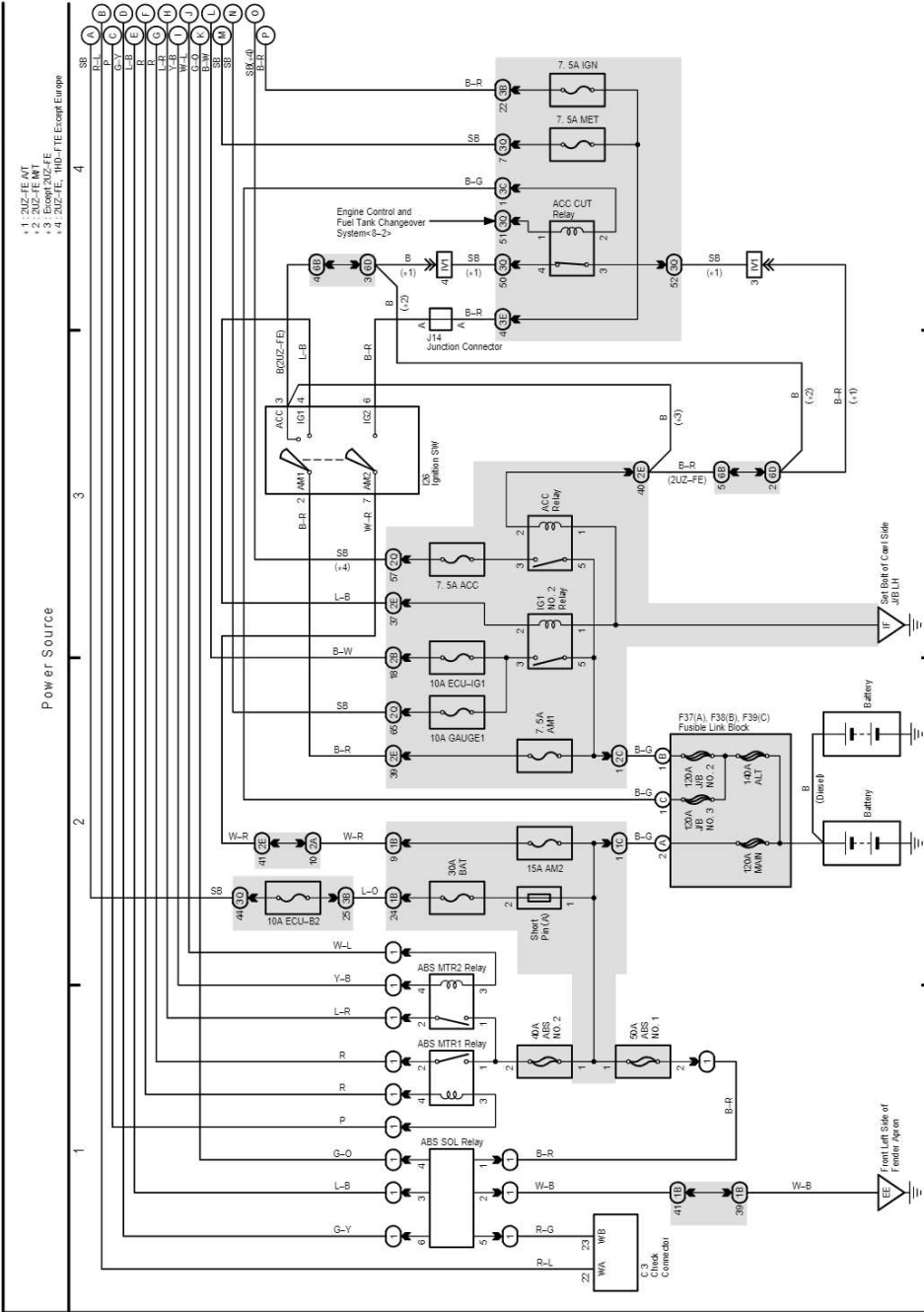


LAND CRUISER Station Wagon (EWD512E)

H OVERALL ELECTRICAL WIRING DIAGRAM

23 LAND CRUISER (RHD)

(Cont. next page)



cardiagn.com

23 LAND CRUISER (RHD) (Cont' d)

ABS

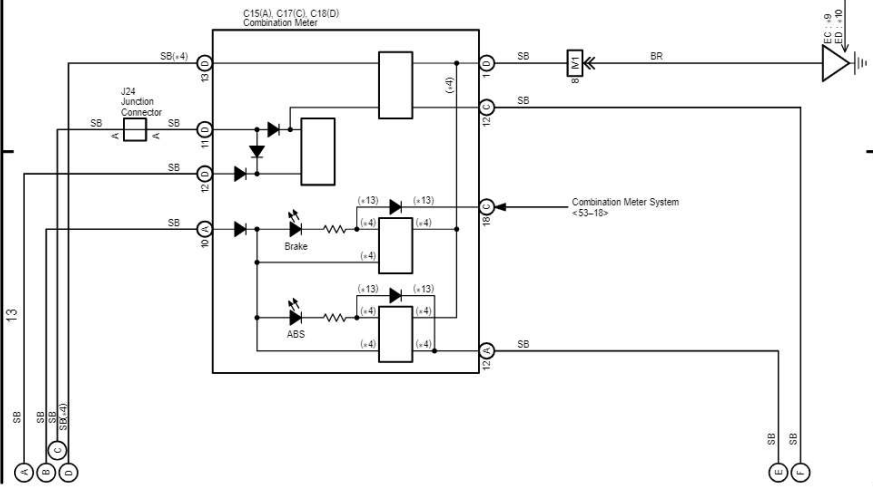
16

15

14

13

- *4: 2UZ-FE, 1HD-FE Except Europe
- *9: Rear Bank of Left Cylinder Head (1FZ-FE, 1KZ)
- *10: Front Bank of Left Cylinder Head (1HD-FE)
- *13: Except '04



cardiagn.com

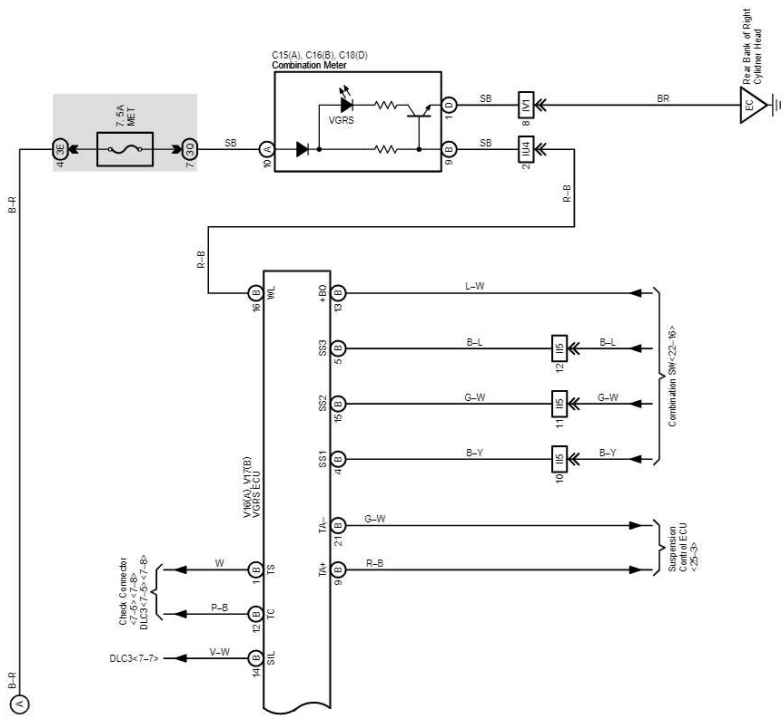
VGRS

8

7

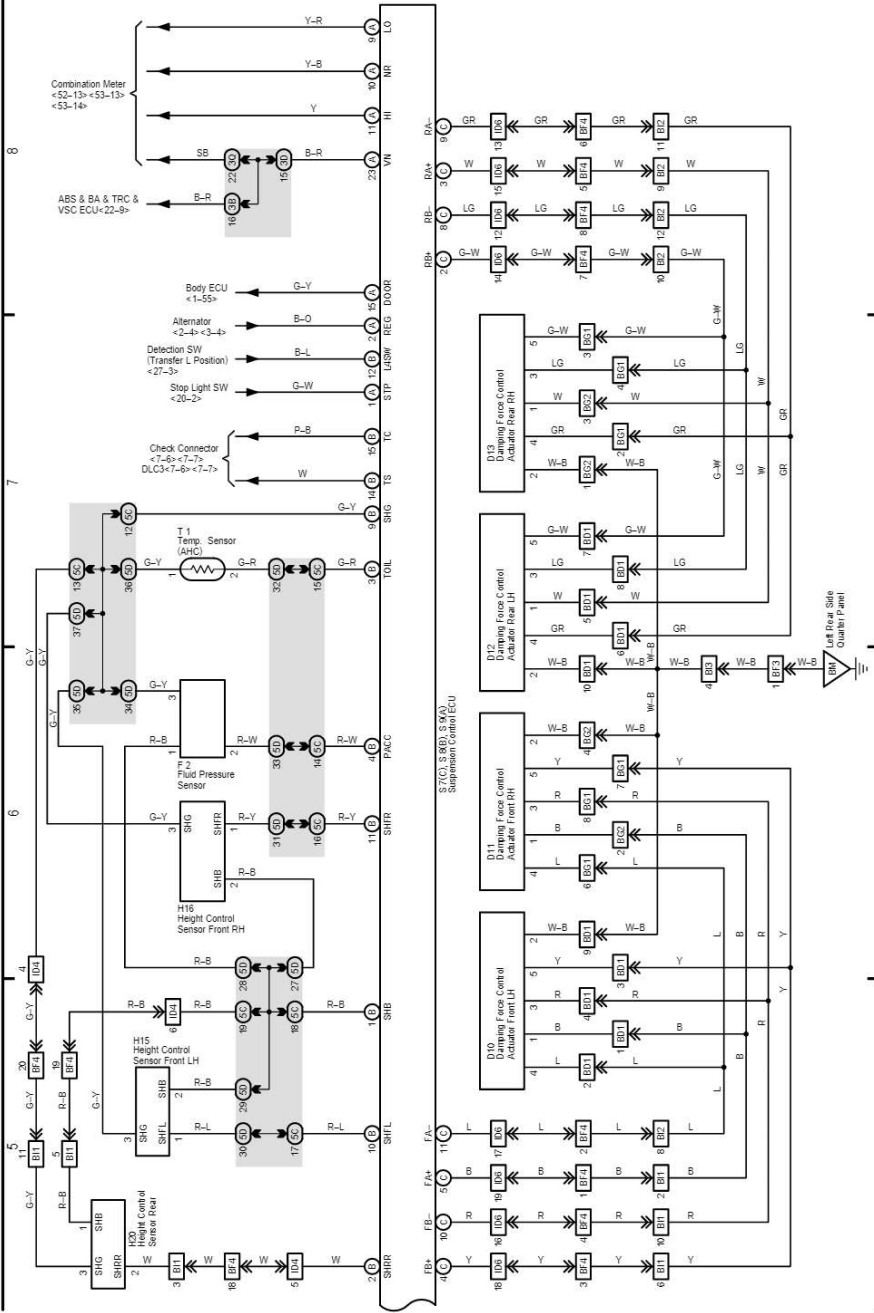
6

5



cardiagn.com

Active Height Control Suspension and Adaptive Variable Suspension



cardiagn.com

SRS

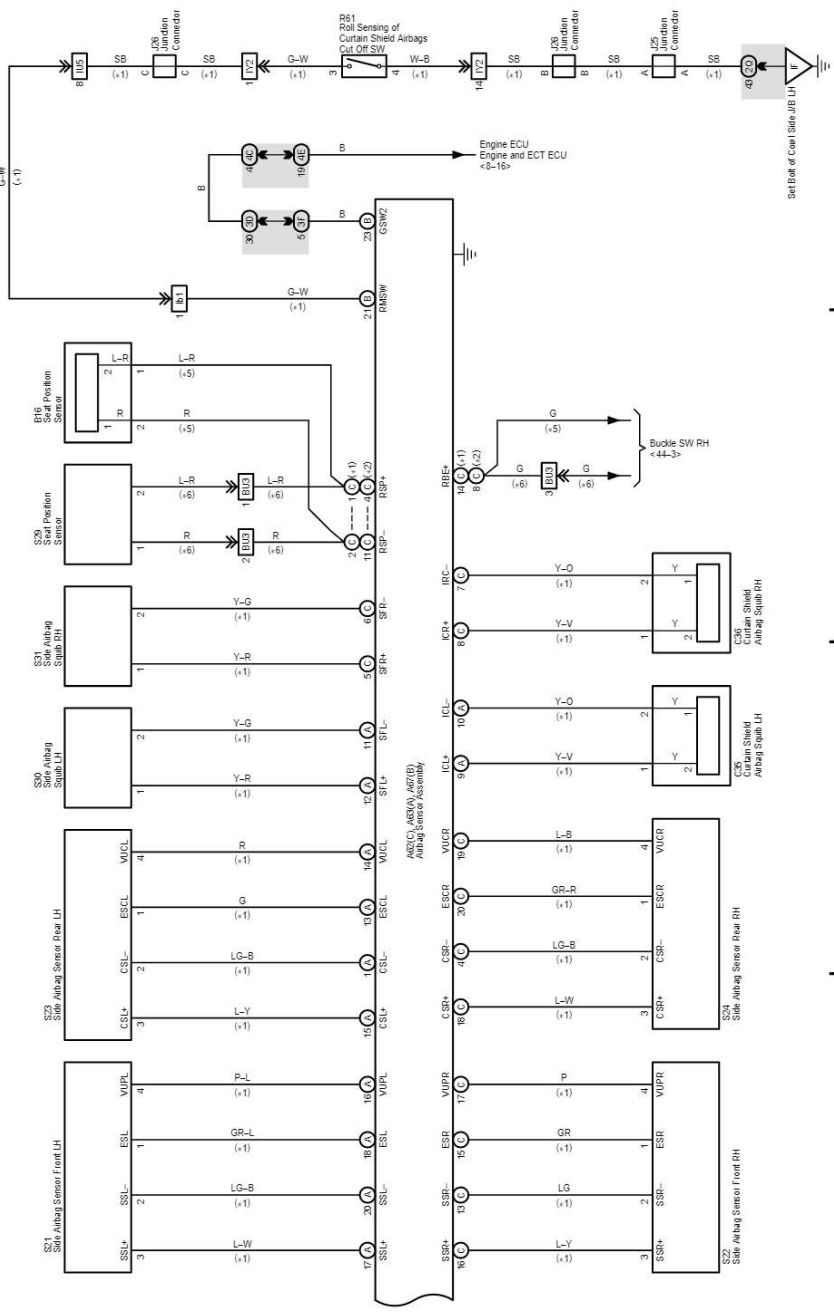
* 1 w/ Side Airbag
 * 5 w/ Dining Position Memory
 * 3 w/ Dining Position Memory

8

7

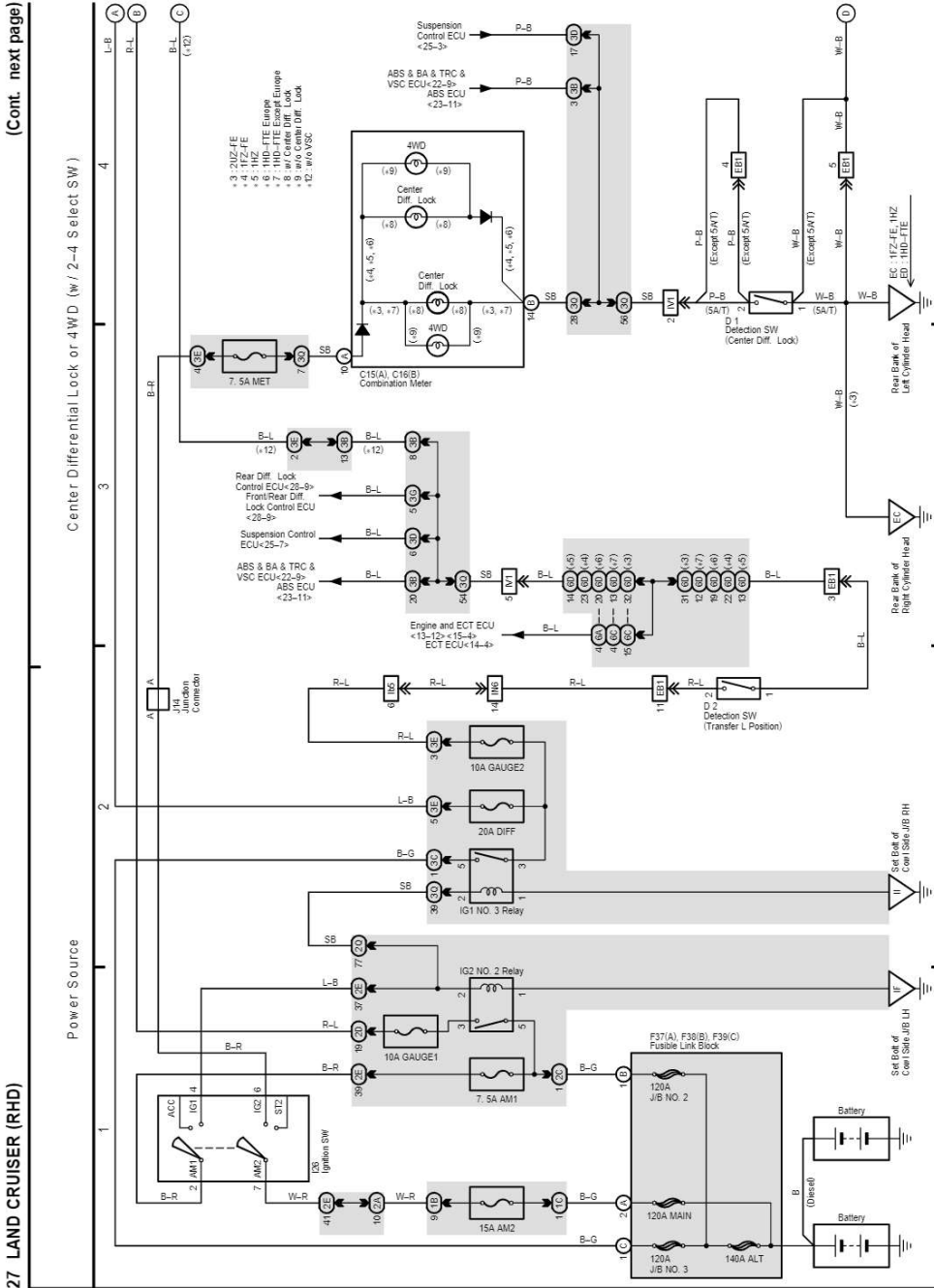
6

5



cardiagn.com

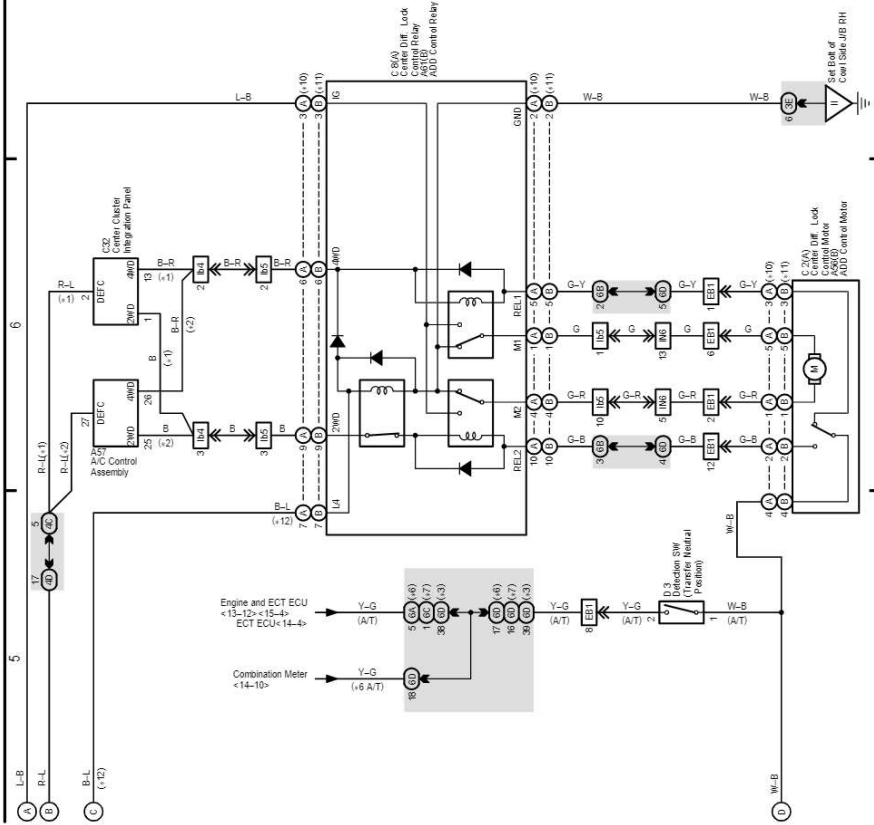
H OVERALL ELECTRICAL WIRING DIAGRAM



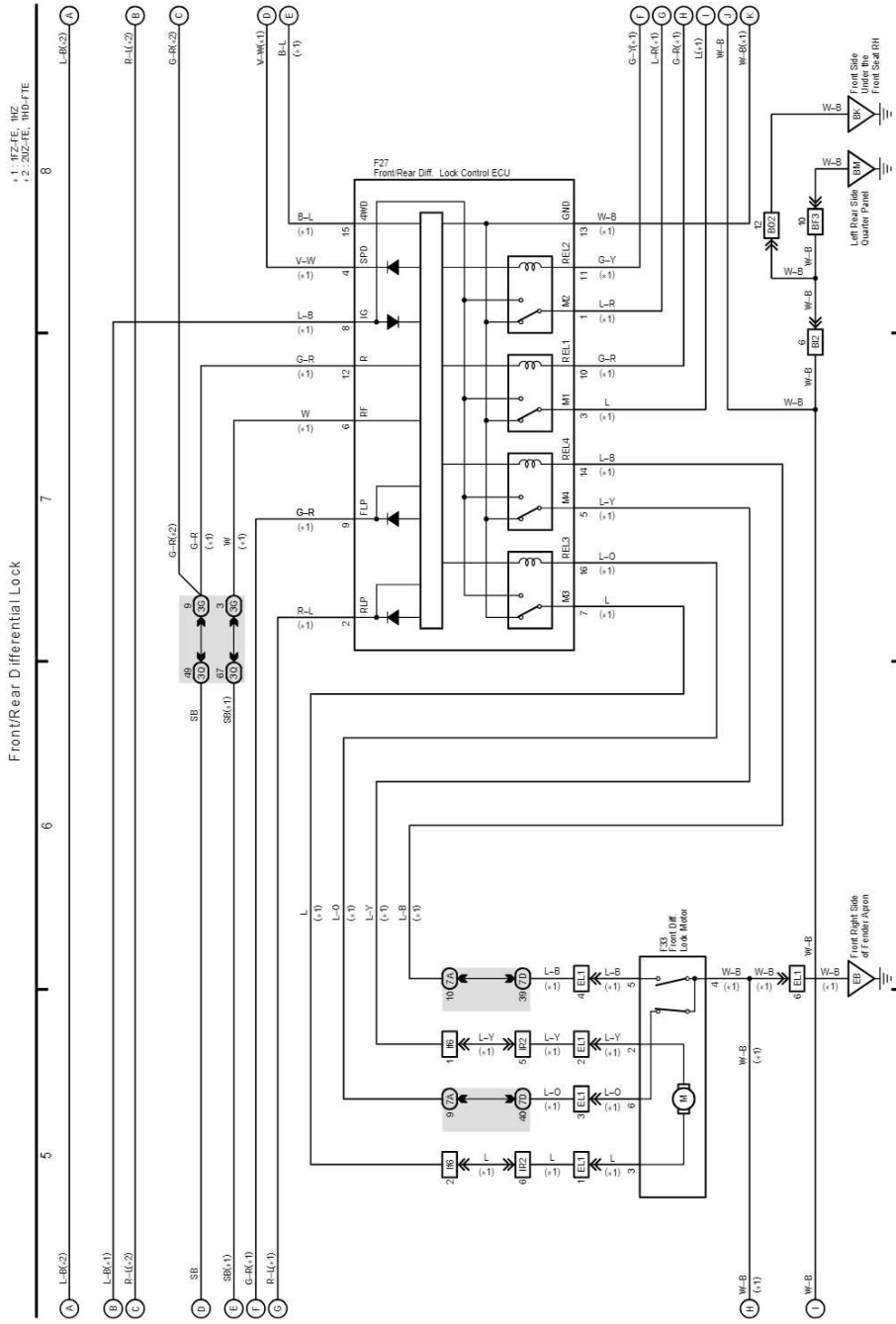
cardiagn.com

Center Differential Lock or 4WD (w/ 2-4 Select SW)

- * 1 : w/ Navigation System
- * 2 : w/o Navigation System
- * 3 : 110V-17E Europe
- * 4 : 110V-17E Europe
- * 5 : 110V-17E Europe
- * 6 : 110V-17E Europe
- * 7 : 110V-17E Europe
- * 8 : 110V-17E Europe
- * 9 : 110V-17E Europe
- * 10 : 110V-17E Europe
- * 11 : w/ 2-4 Select SW
- * 12 : w/o VSC



LAND CRUISER Station Wagon (EWD512E)



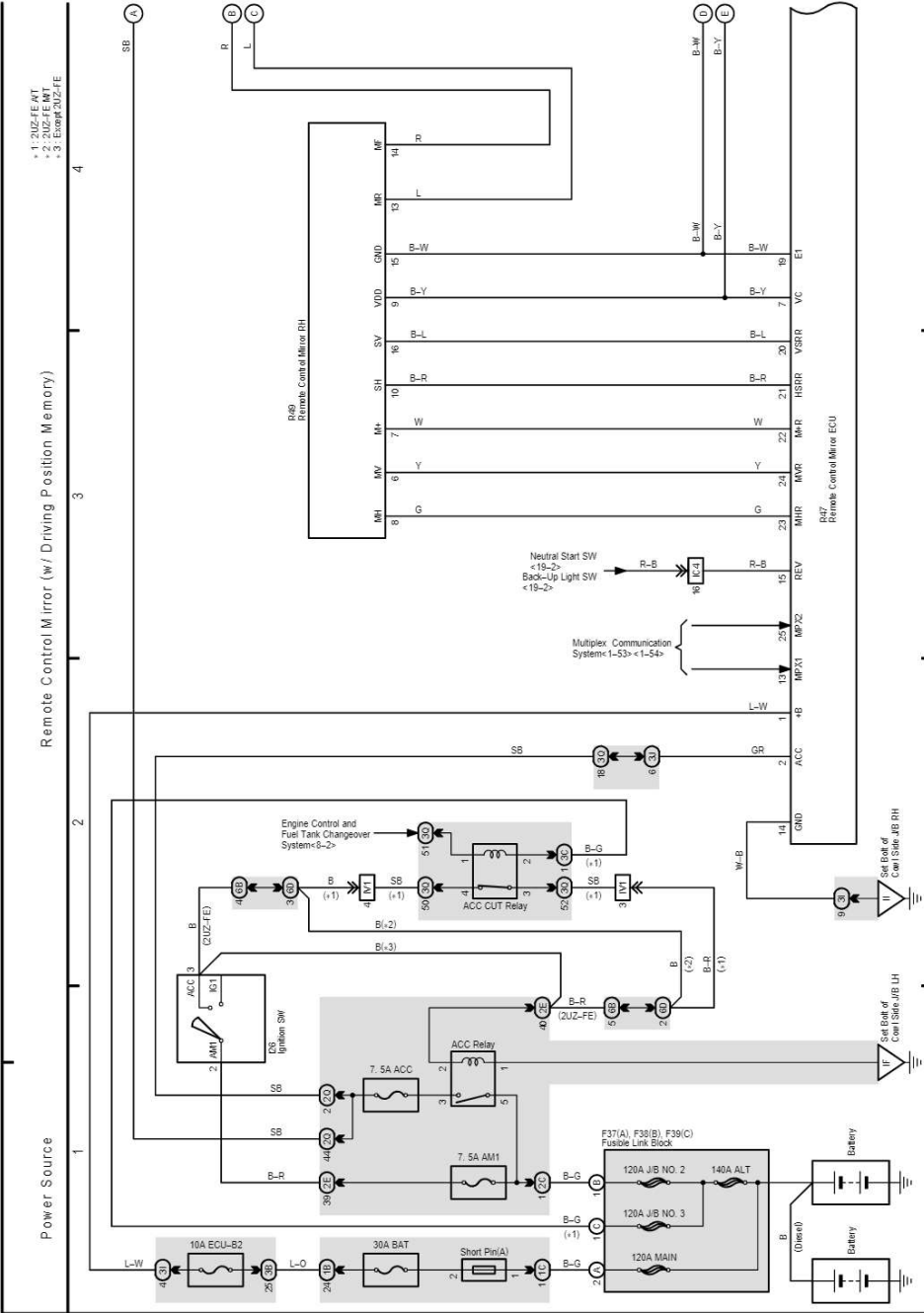
LAND CRUISER Station Wagon (EWD512E)

cardiagn.com

H OVERALL ELECTRICAL WIRING DIAGRAM

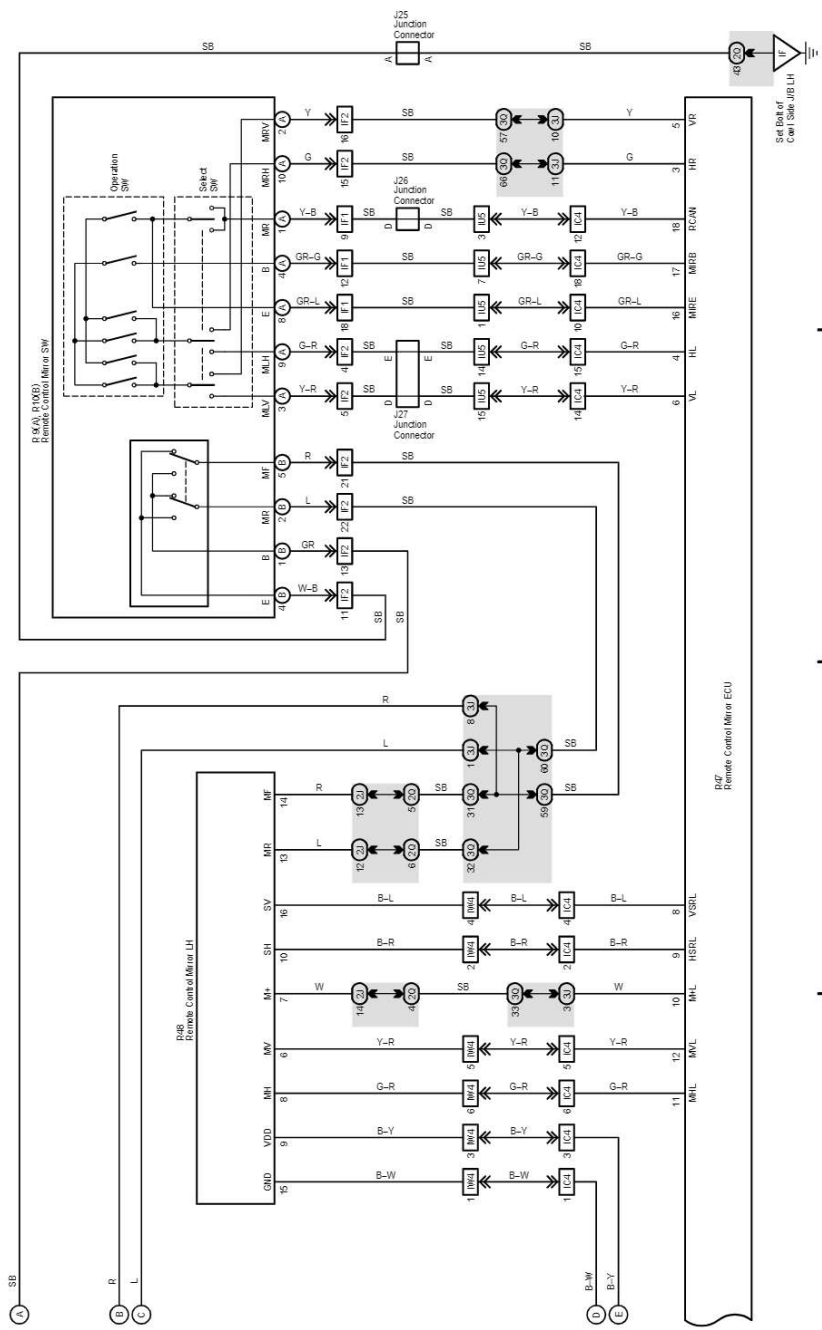
29 LAND CRUISER (RHD)

(Cont. next page)



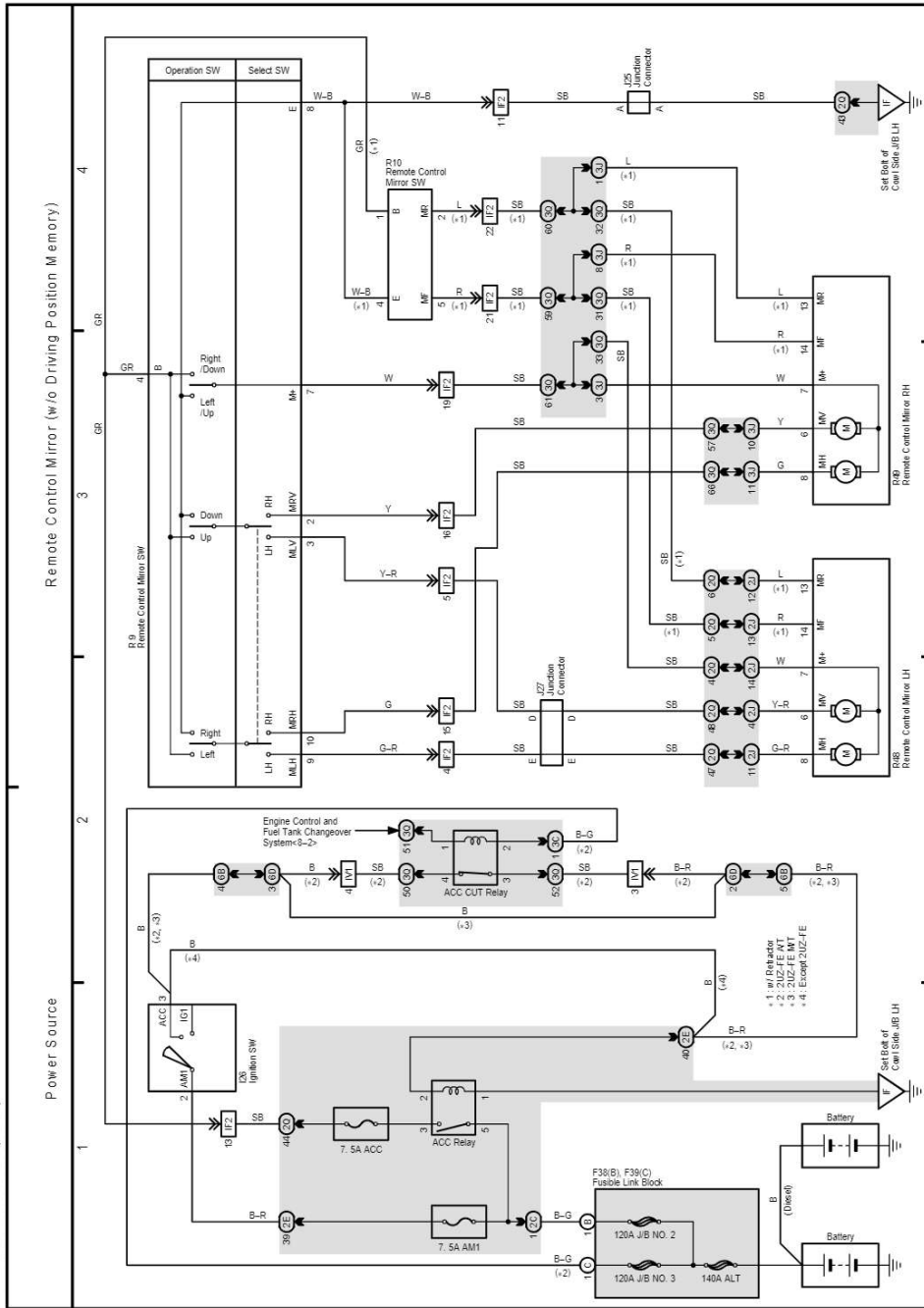
cardiagn.com

Remote Control Mirror (w/ Driving Position Memory)

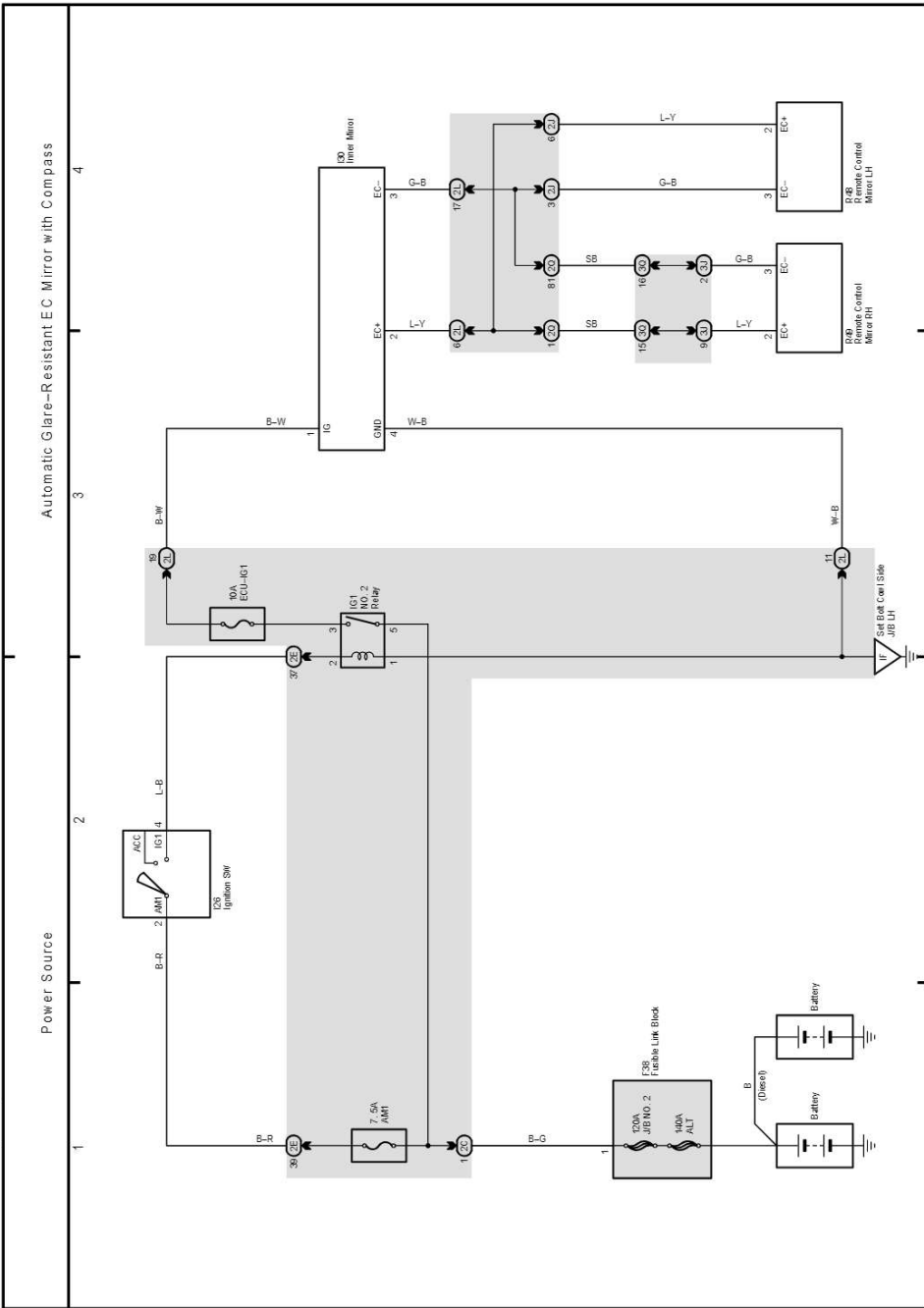


H OVERALL ELECTRICAL WIRING DIAGRAM

30 LAND CRUISER (RHD)



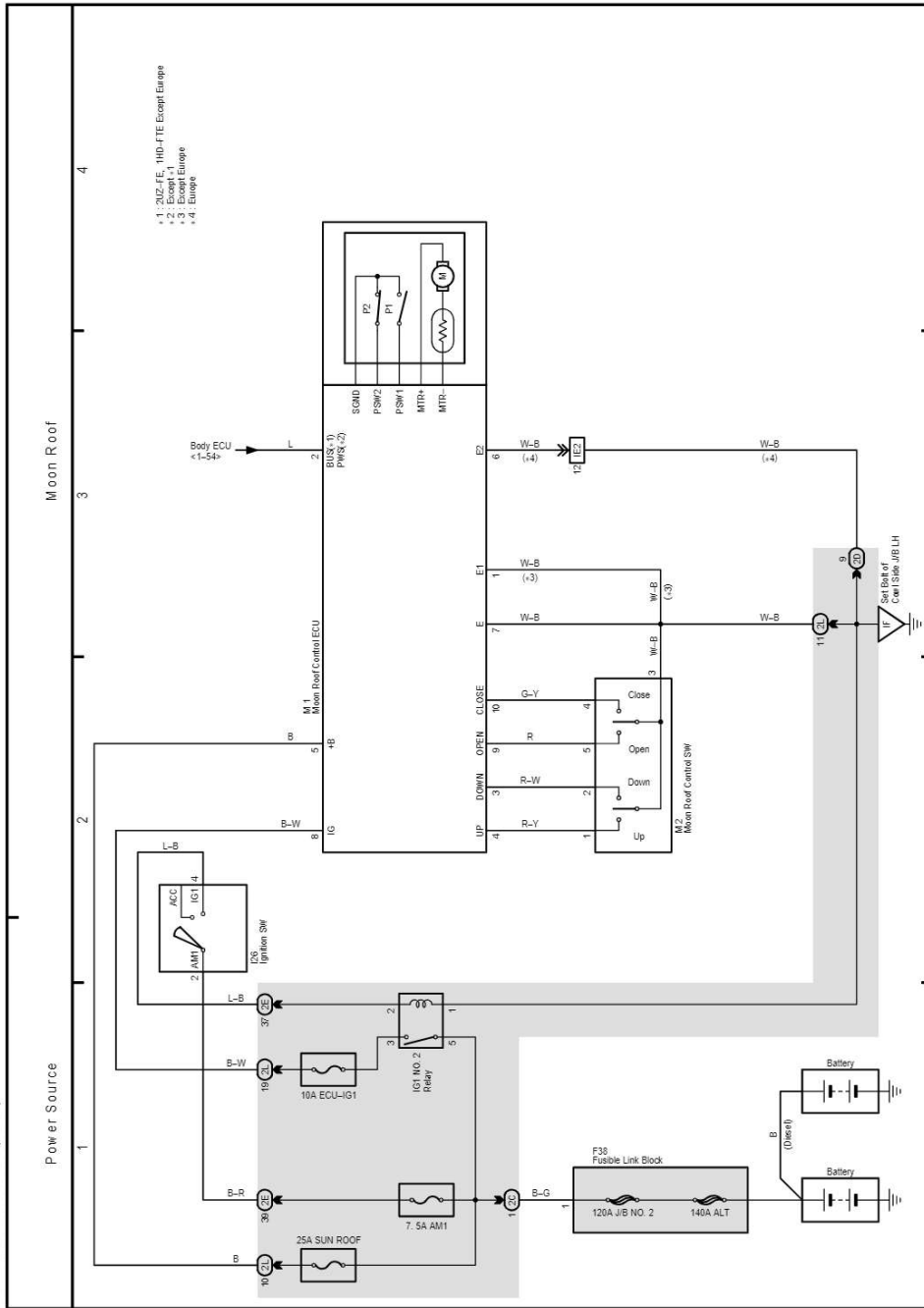
cardiagn.com



cardiagn.com

H OVERALL ELECTRICAL WIRING DIAGRAM

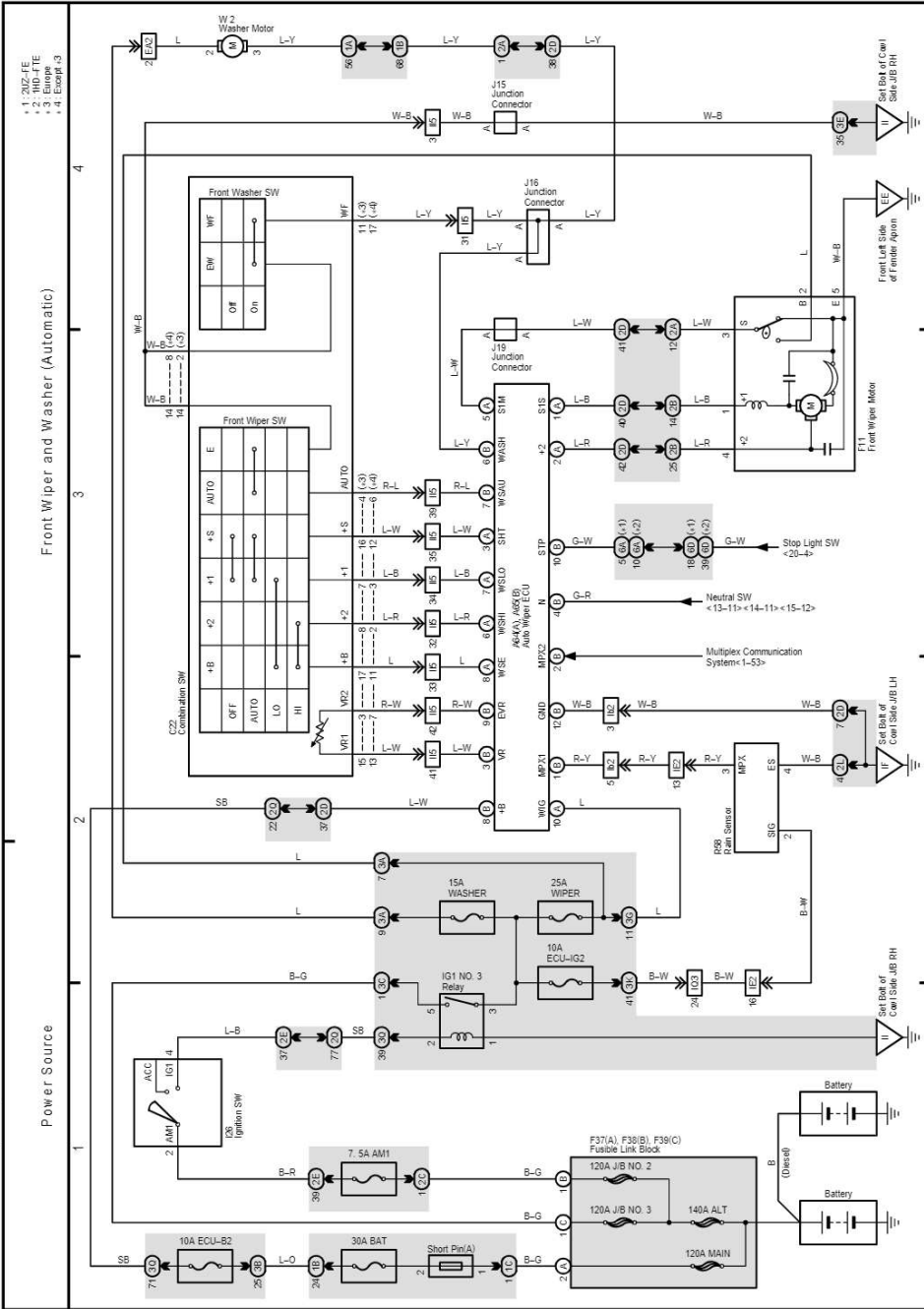
32 LAND CRUISER (RHD)



cardiagn.com

33 LAND CRUISER (RHD)

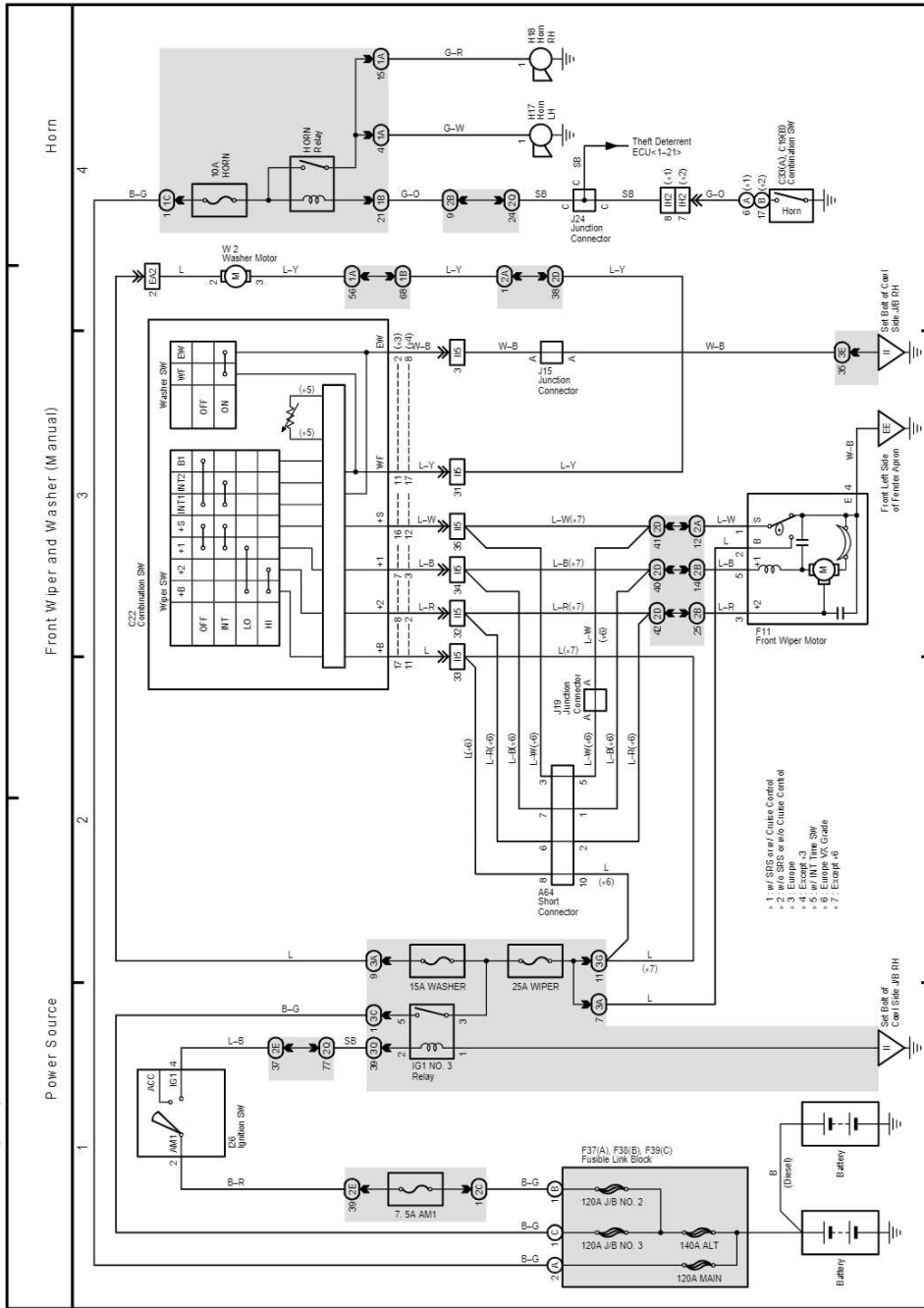
Front Wiper and Washer (Automatic)



LAND CRUISER Station Wagon (EWD512E)

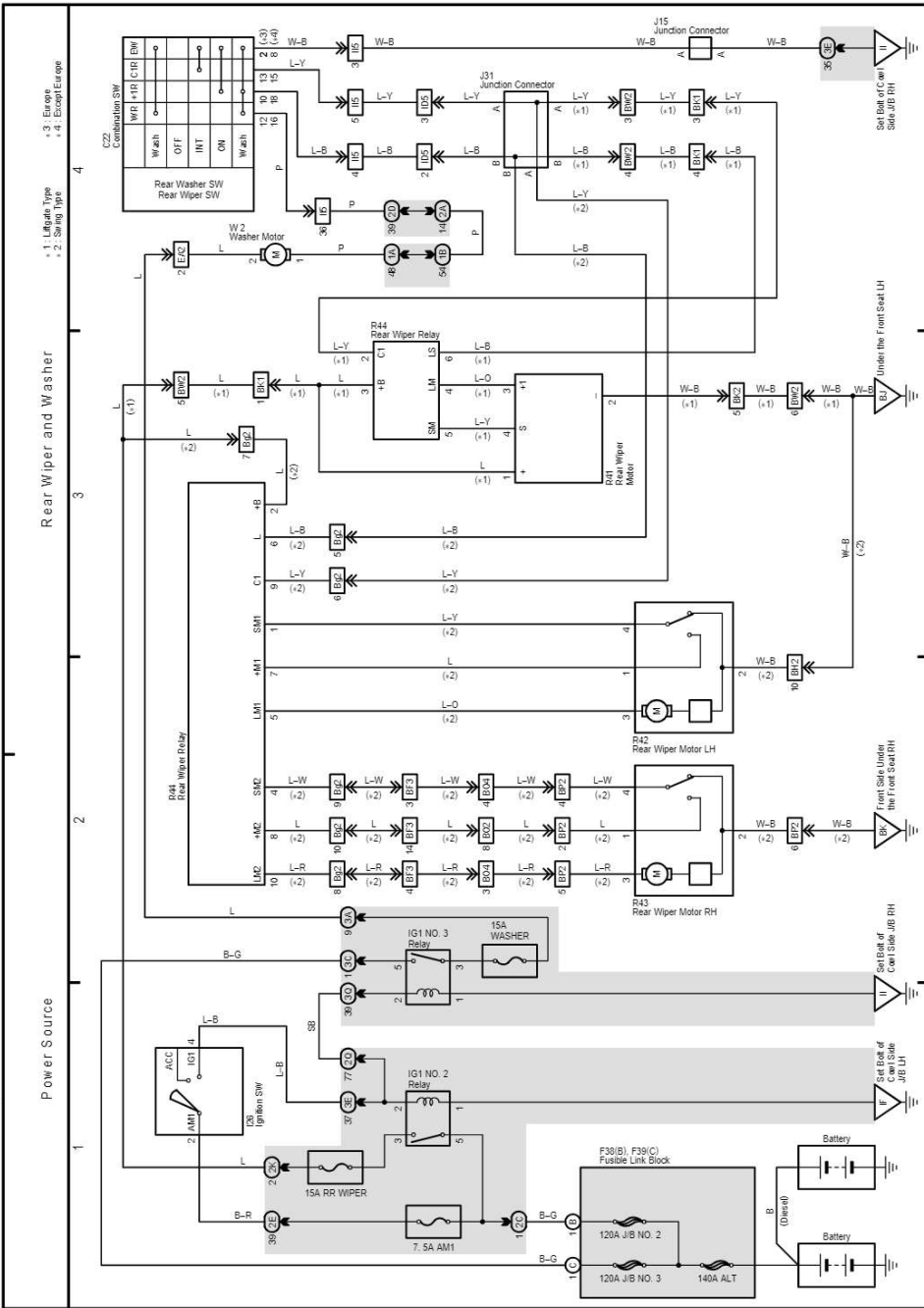
H OVERALL ELECTRICAL WIRING DIAGRAM

34 LAND CRUISER (RHD)

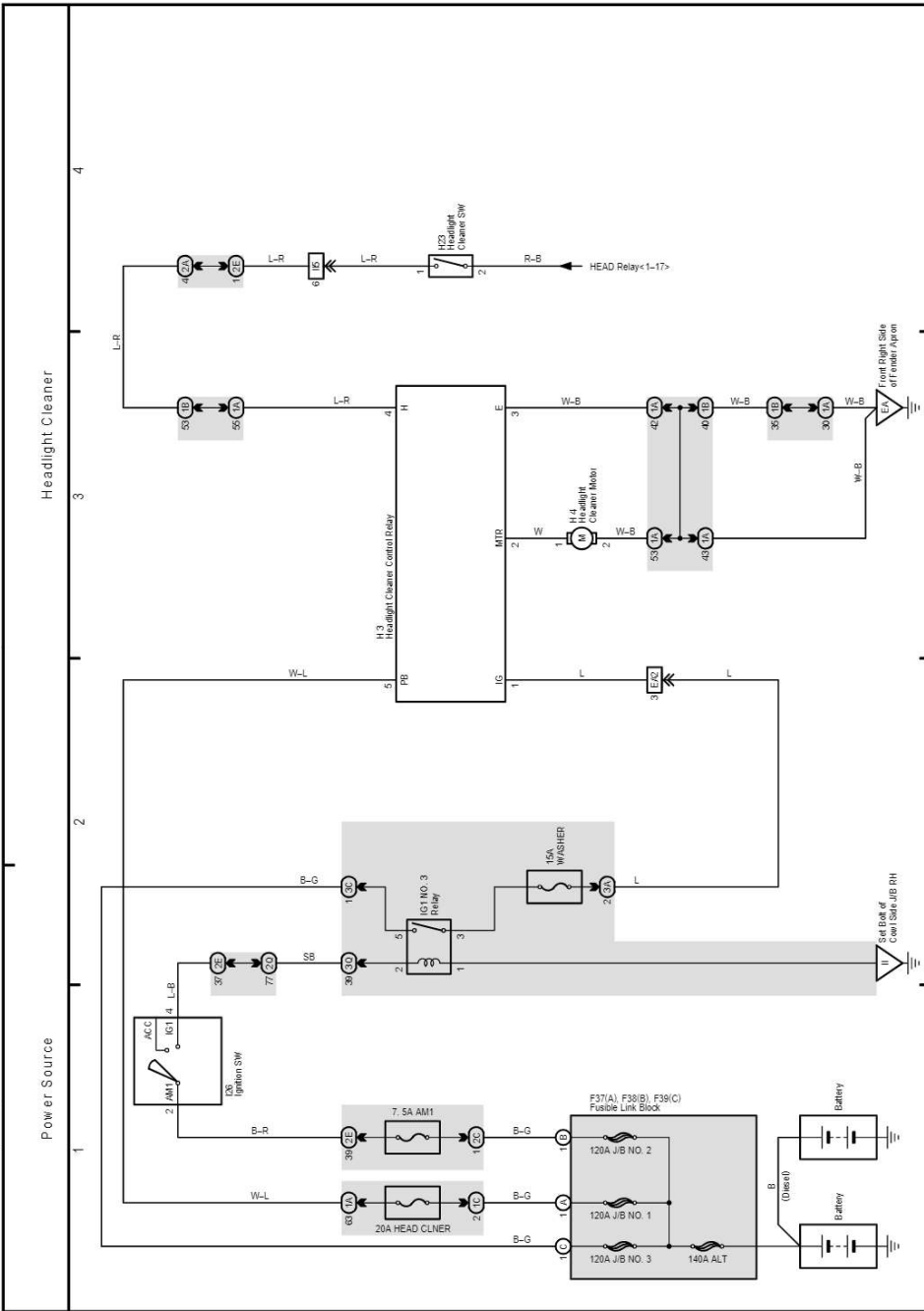


cardiagn.com

35 LAND CRUISER (RHD)

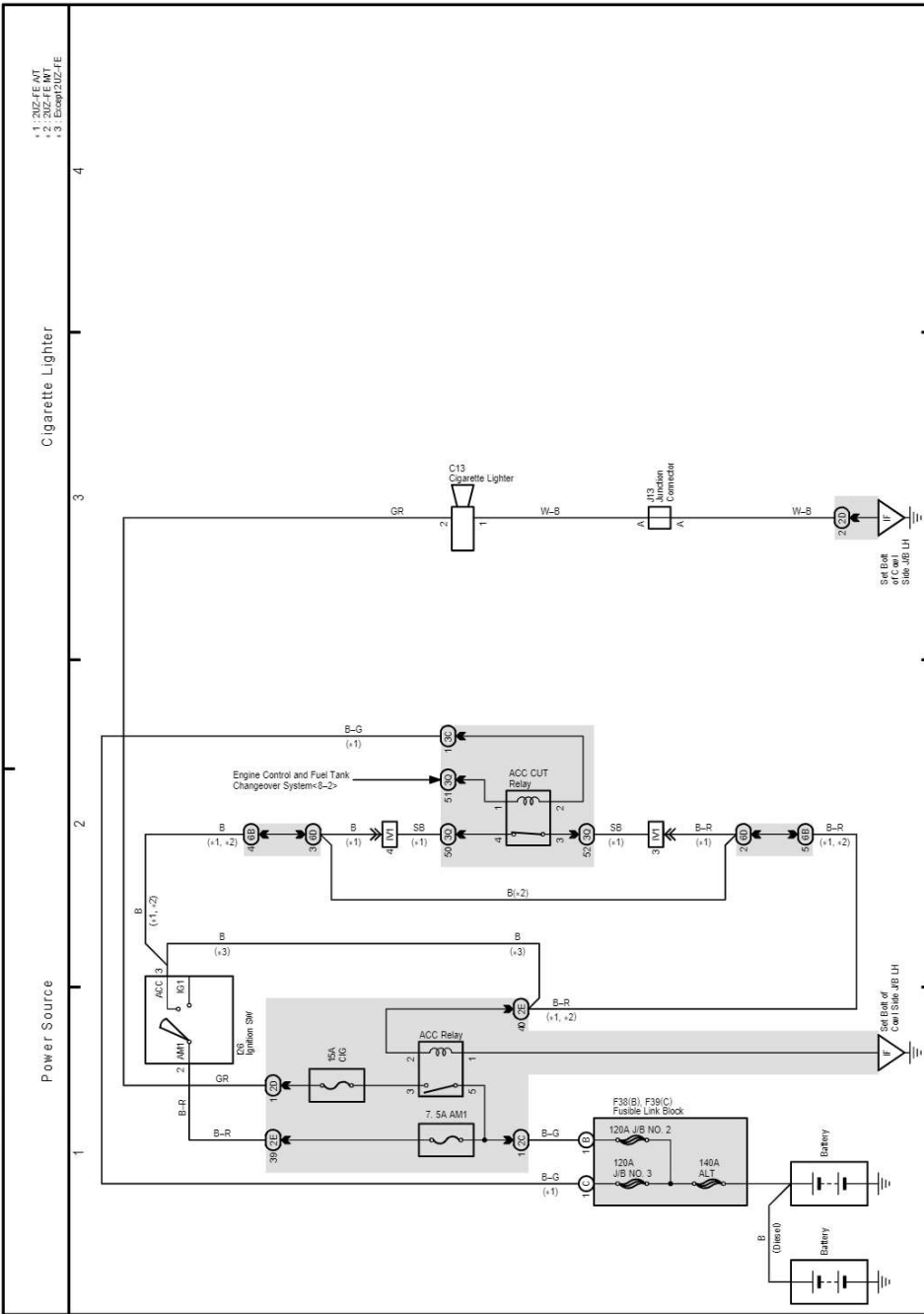


LAND CRUISER Station Wagon (EWD512E)



cardiagn.com

LAND CRUISER Station Wagon (EWD512E)



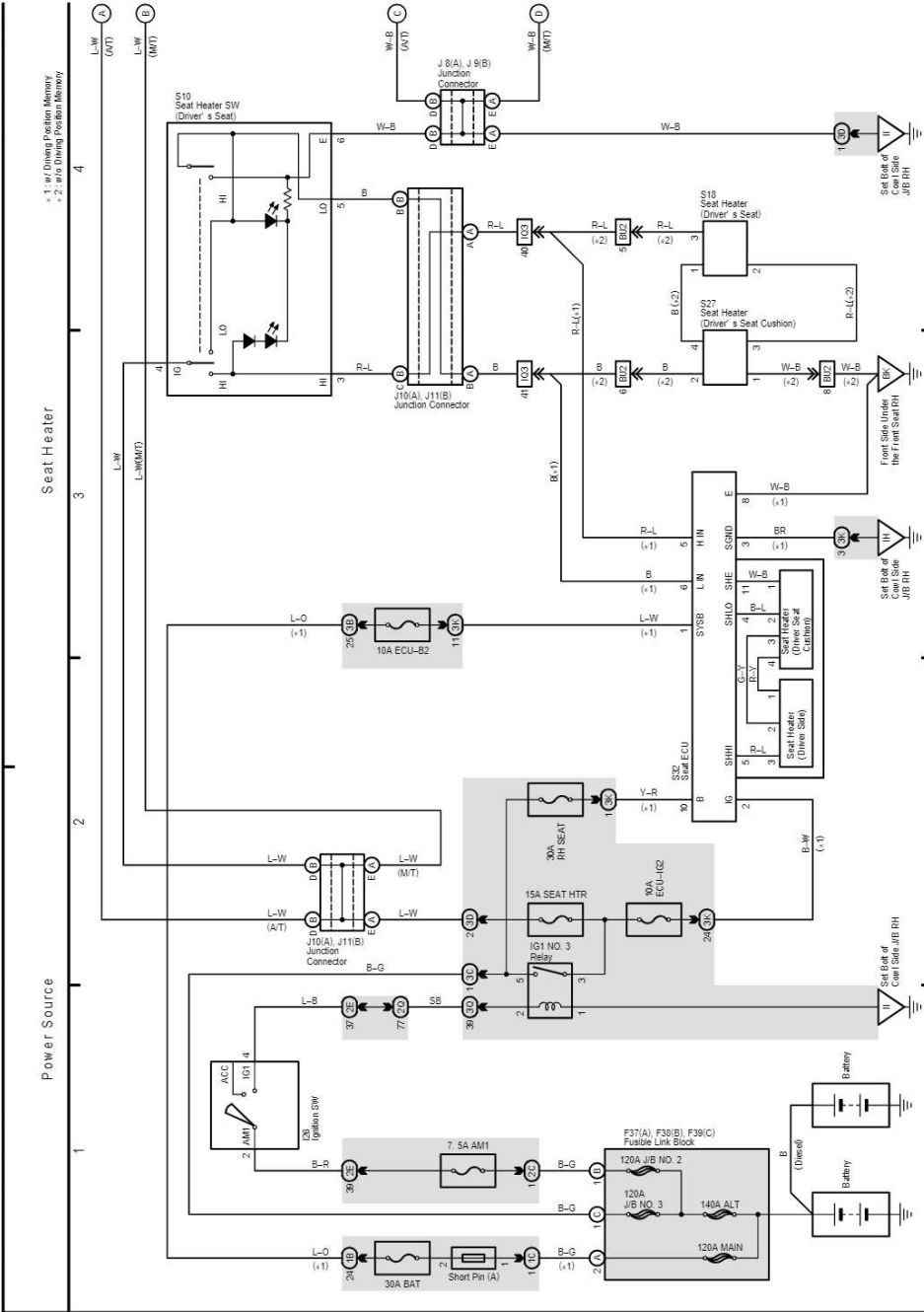
cardiagn.com

LAND CRUISER Station Wagon (EWD512E)

H OVERALL ELECTRICAL WIRING DIAGRAM

40 LAND CRUISER (RHD)

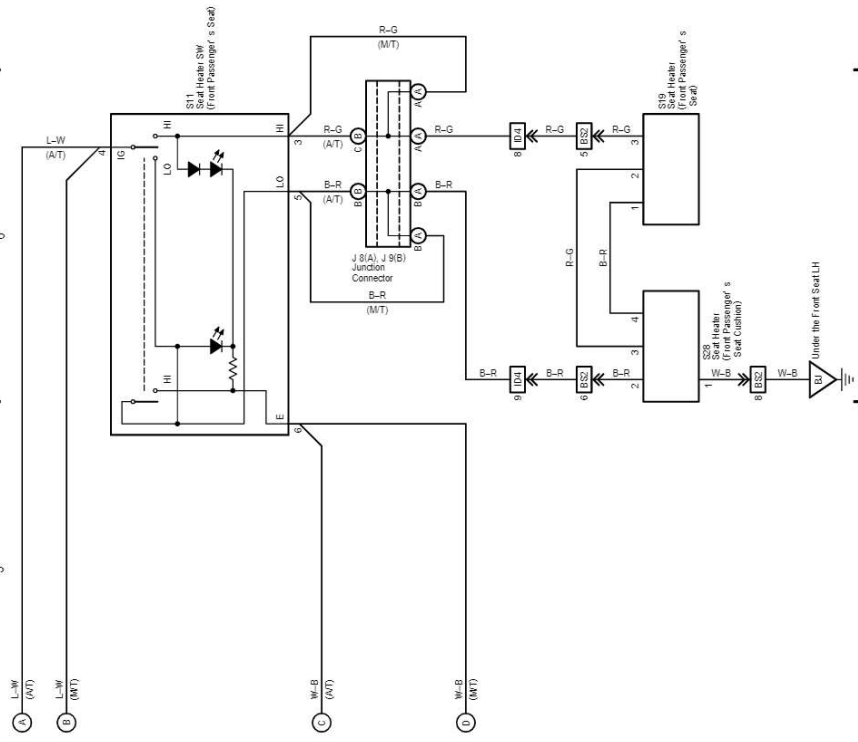
(Cont. next page)

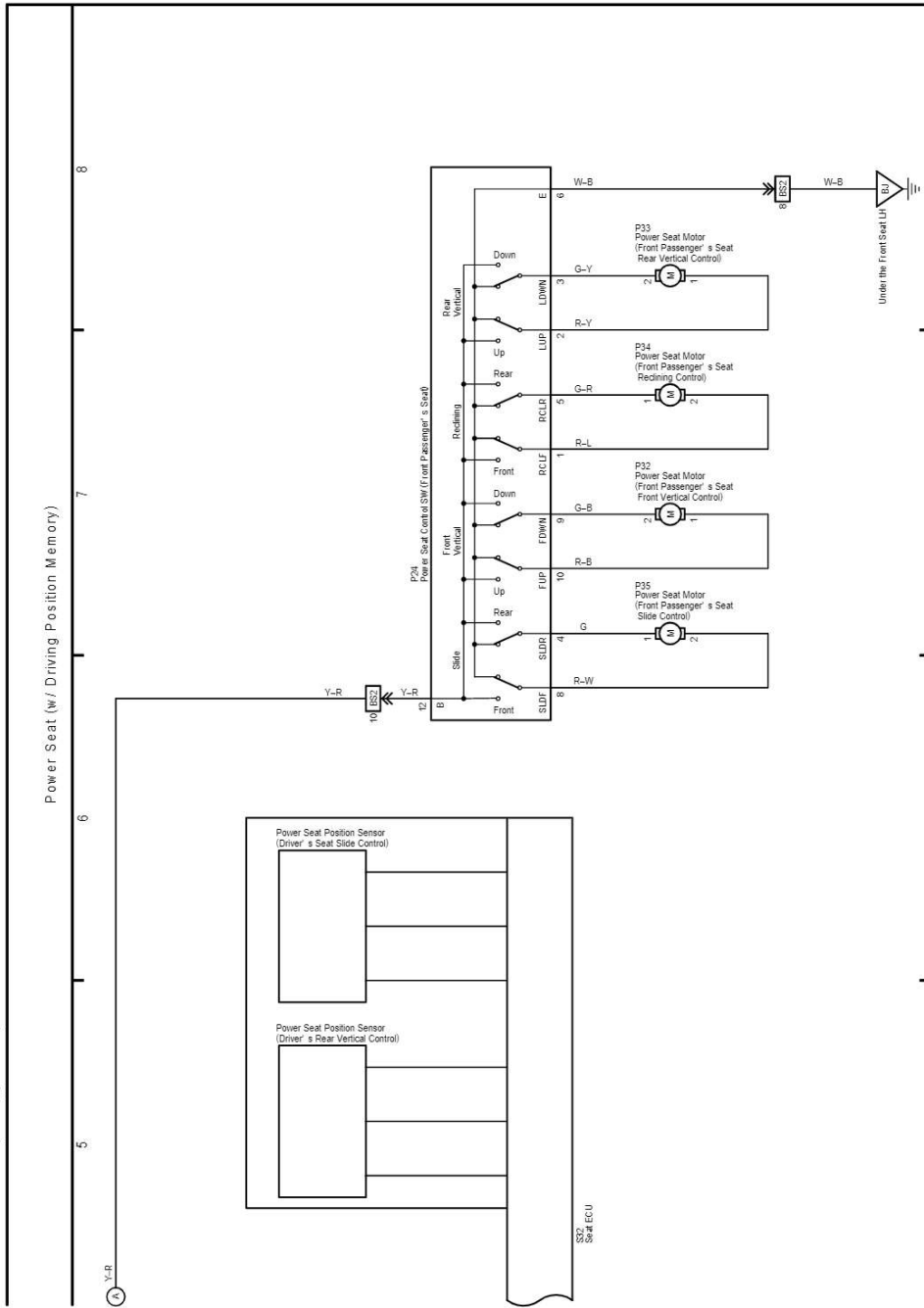


cardiagn.com

Seat Heater

5 6 7 8

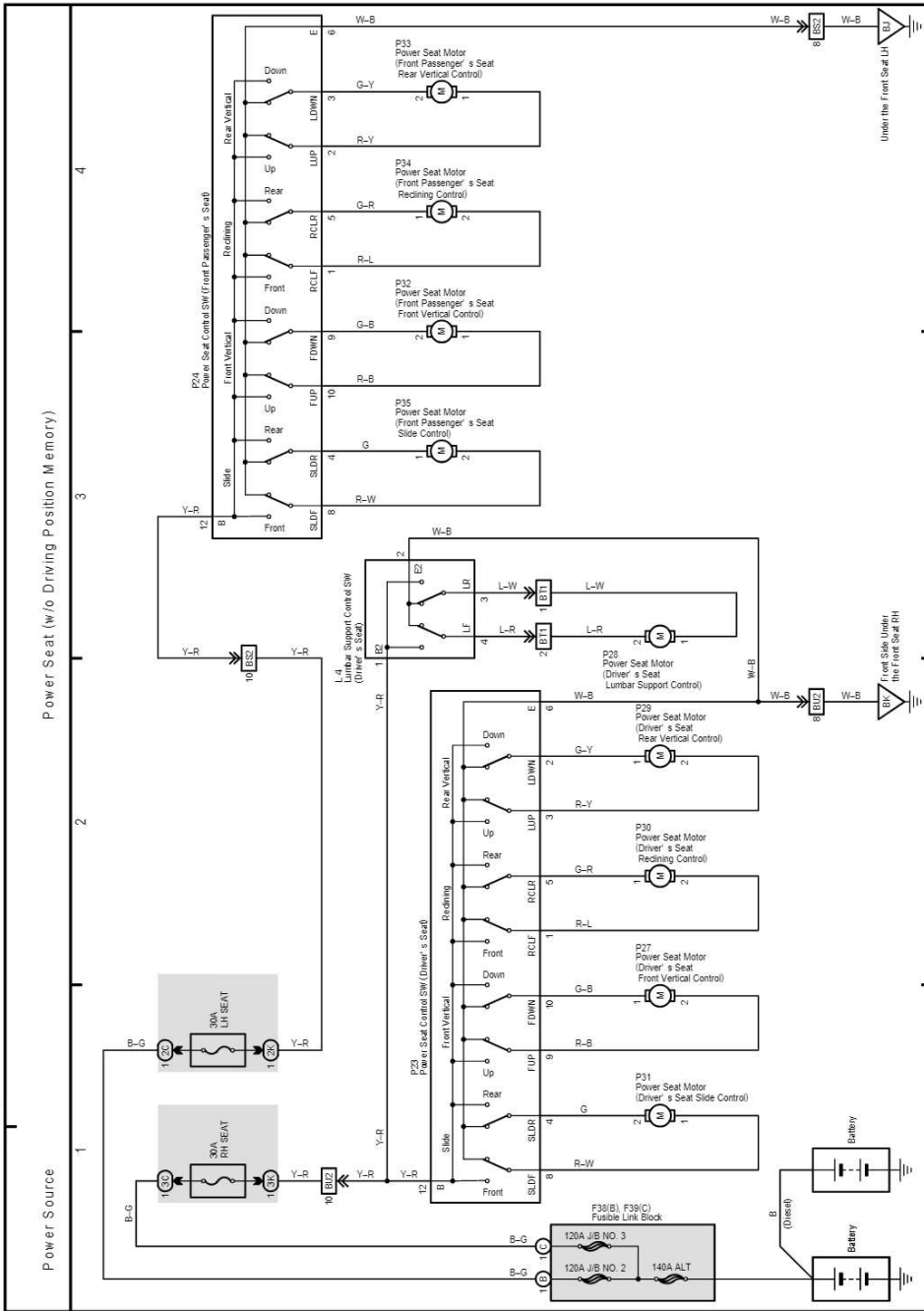




cardiagn.com

H OVERALL ELECTRICAL WIRING DIAGRAM

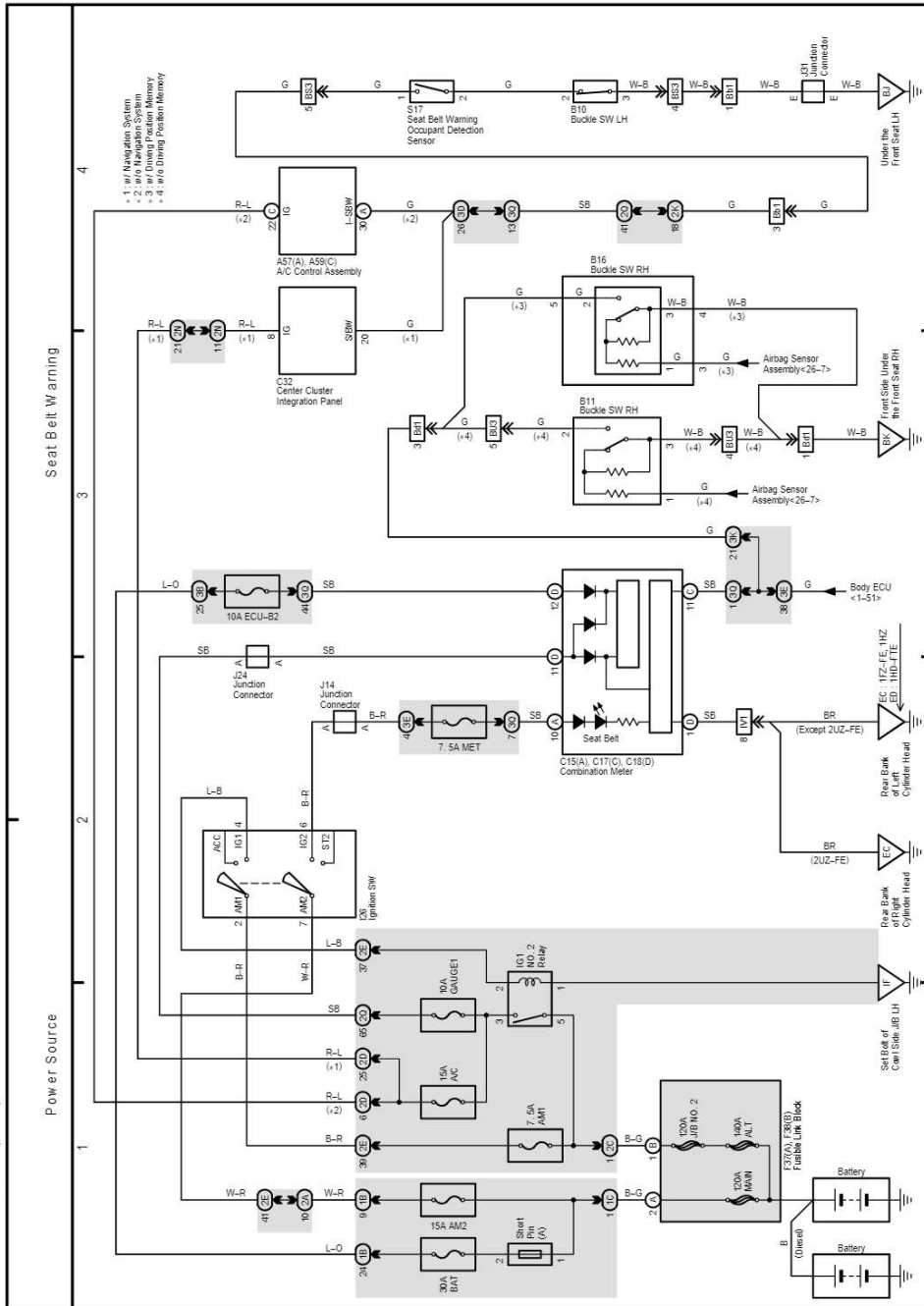
42 LAND CRUISER (RHD)



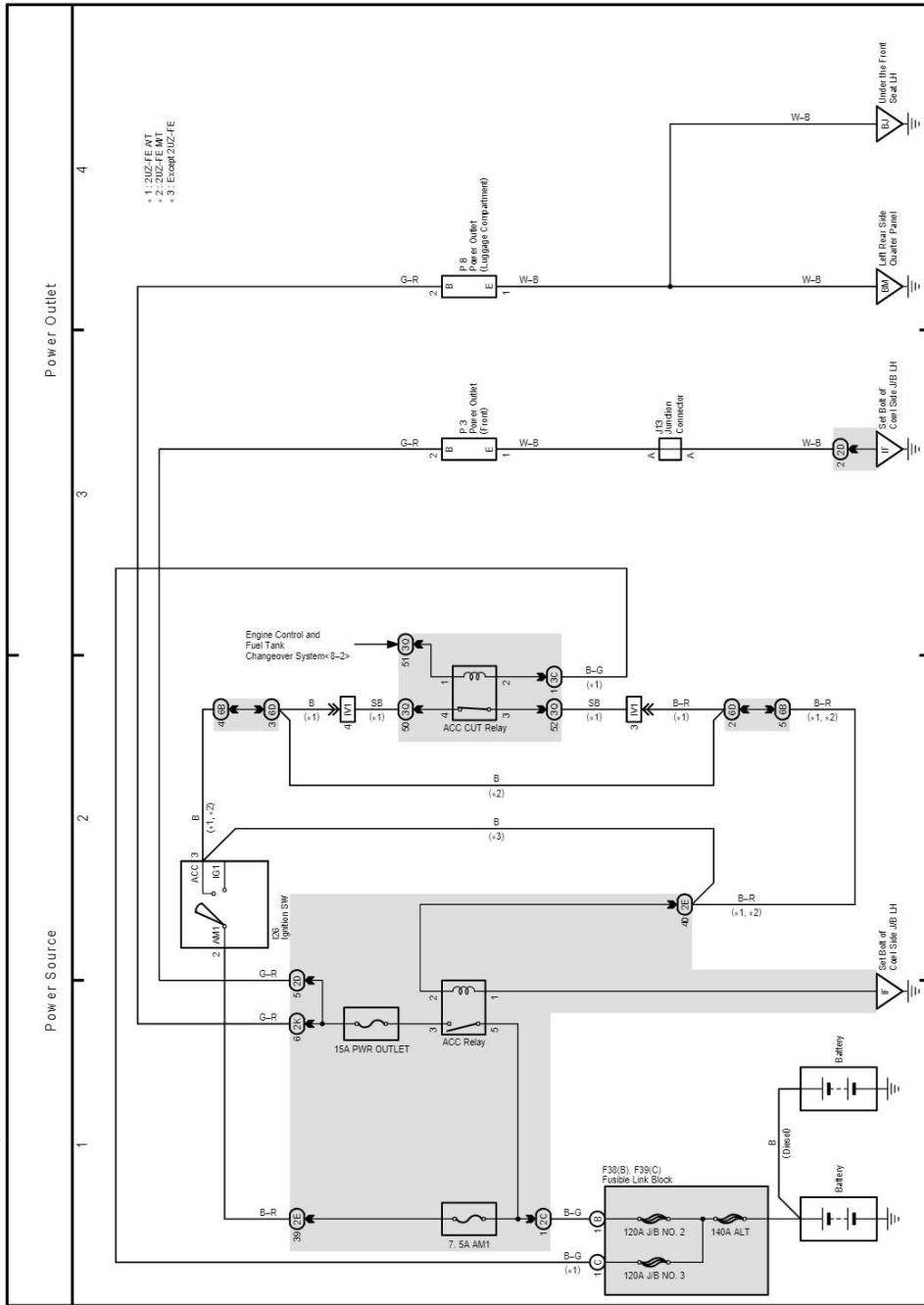
cardiagn.com

H OVERALL ELECTRICAL WIRING DIAGRAM

44 LAND CRUISER (RHD)



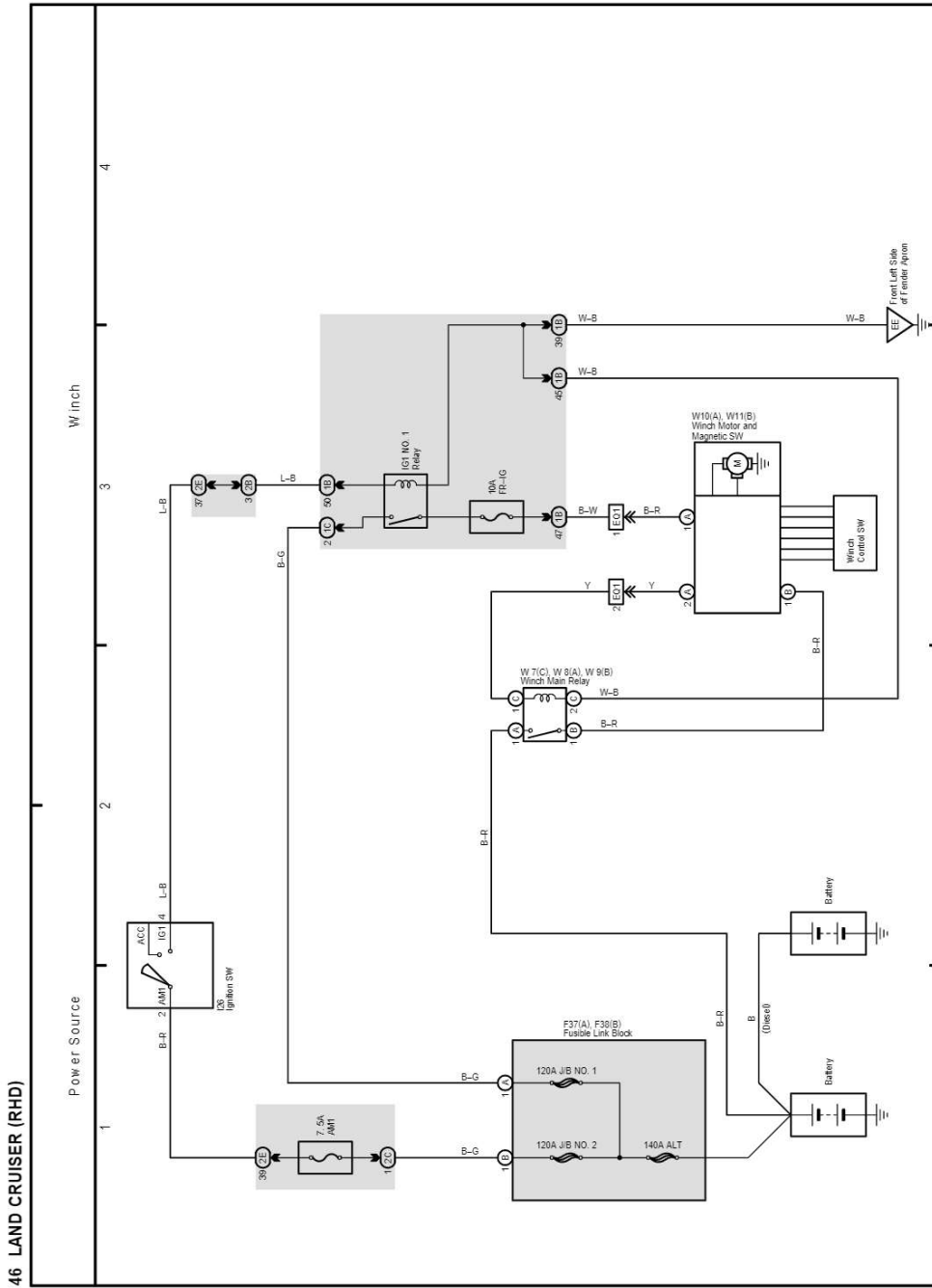
cardiagn.com



cardiagn.com

LAND CRUISER Station Wagon (EWD512E)

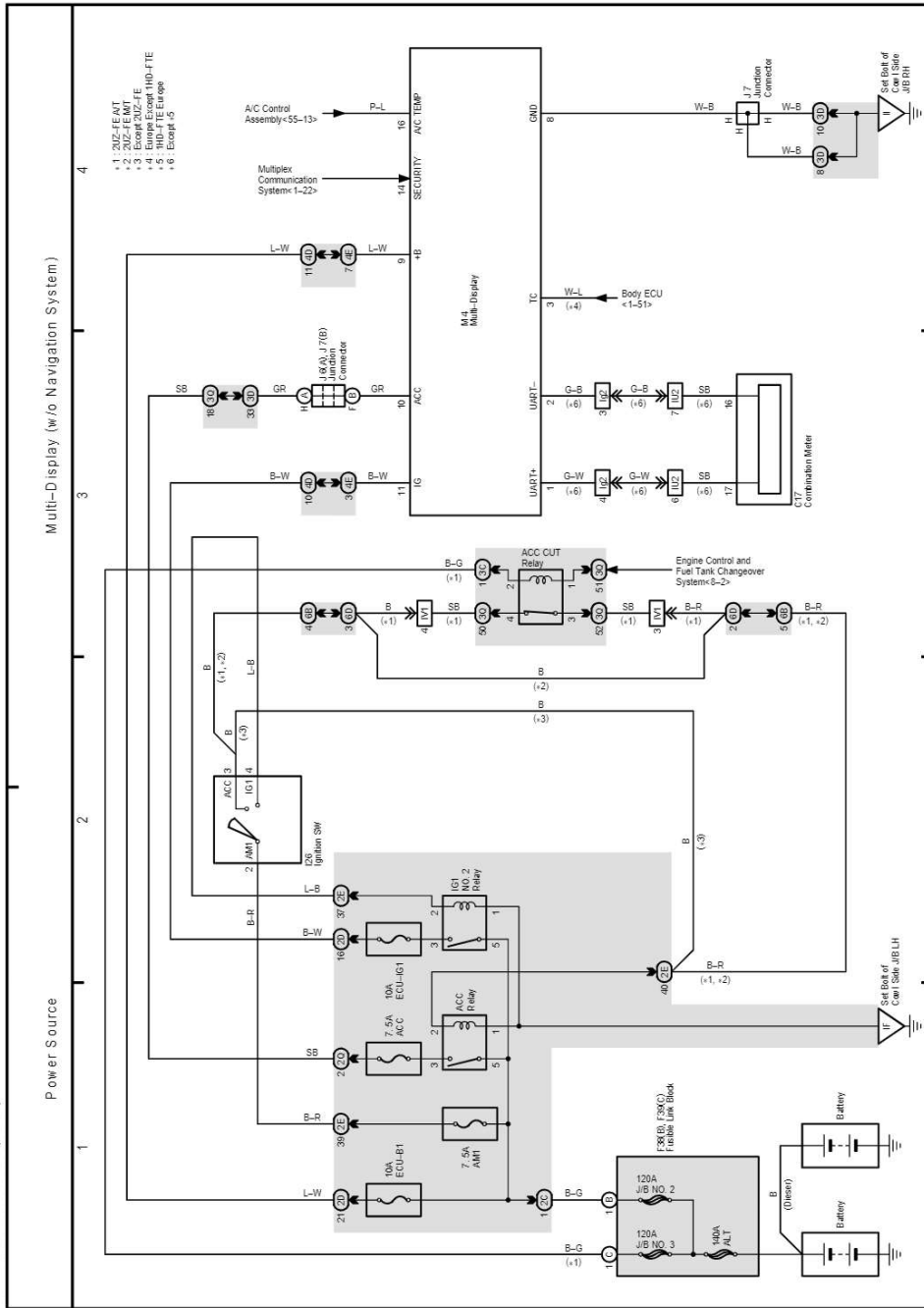
H OVERALL ELECTRICAL WIRING DIAGRAM



46 LAND CRUISER (RHD)

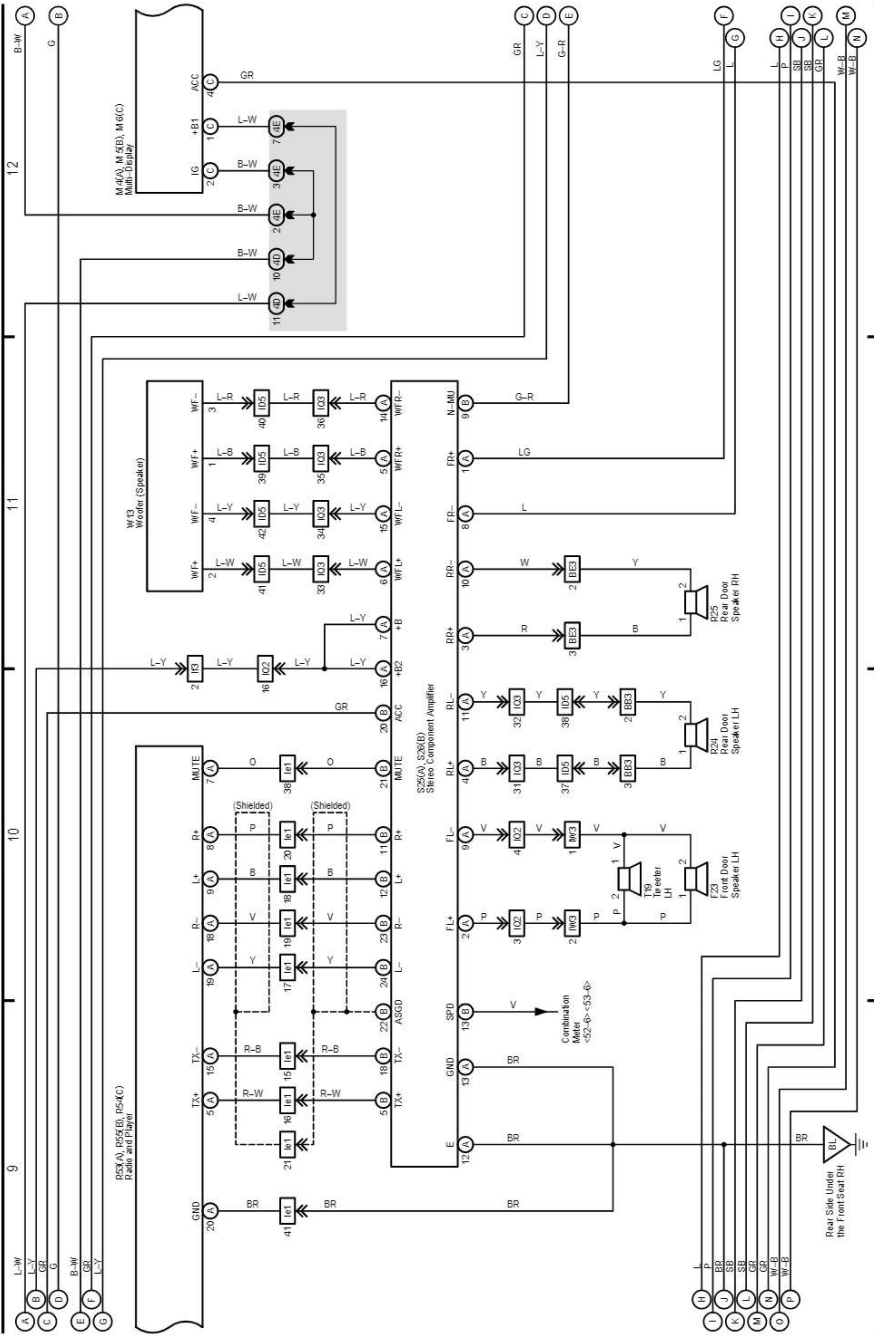
H OVERALL ELECTRICAL WIRING DIAGRAM

48 LAND CRUISER (RHD)



cardiagn.com

Navigation System, Radio and Player
(w/ Navigation System w/ Stereo Component Amplifier)



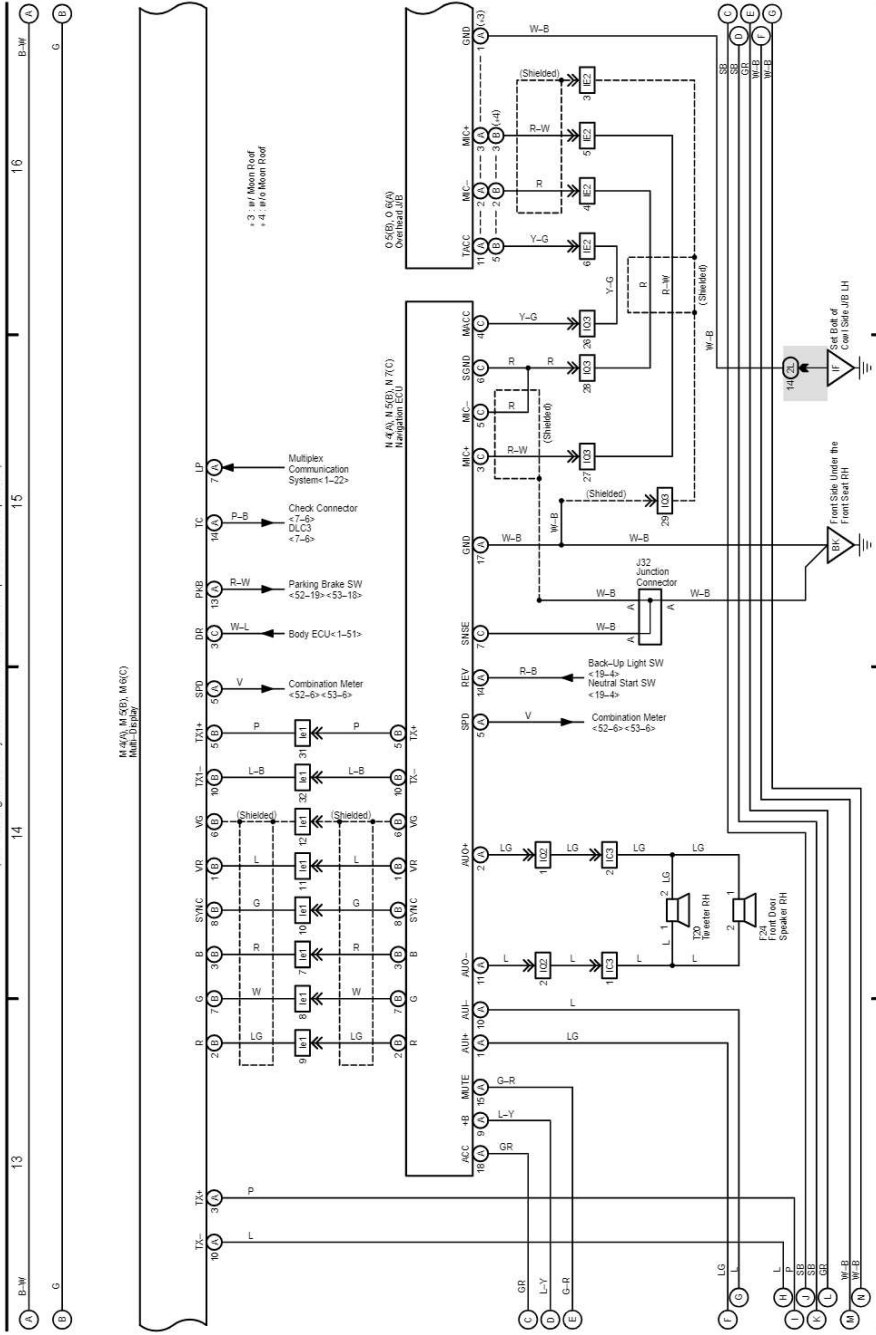
LAND CRUISER Station Wagon (EWD512E)

H OVERALL ELECTRICAL WIRING DIAGRAM

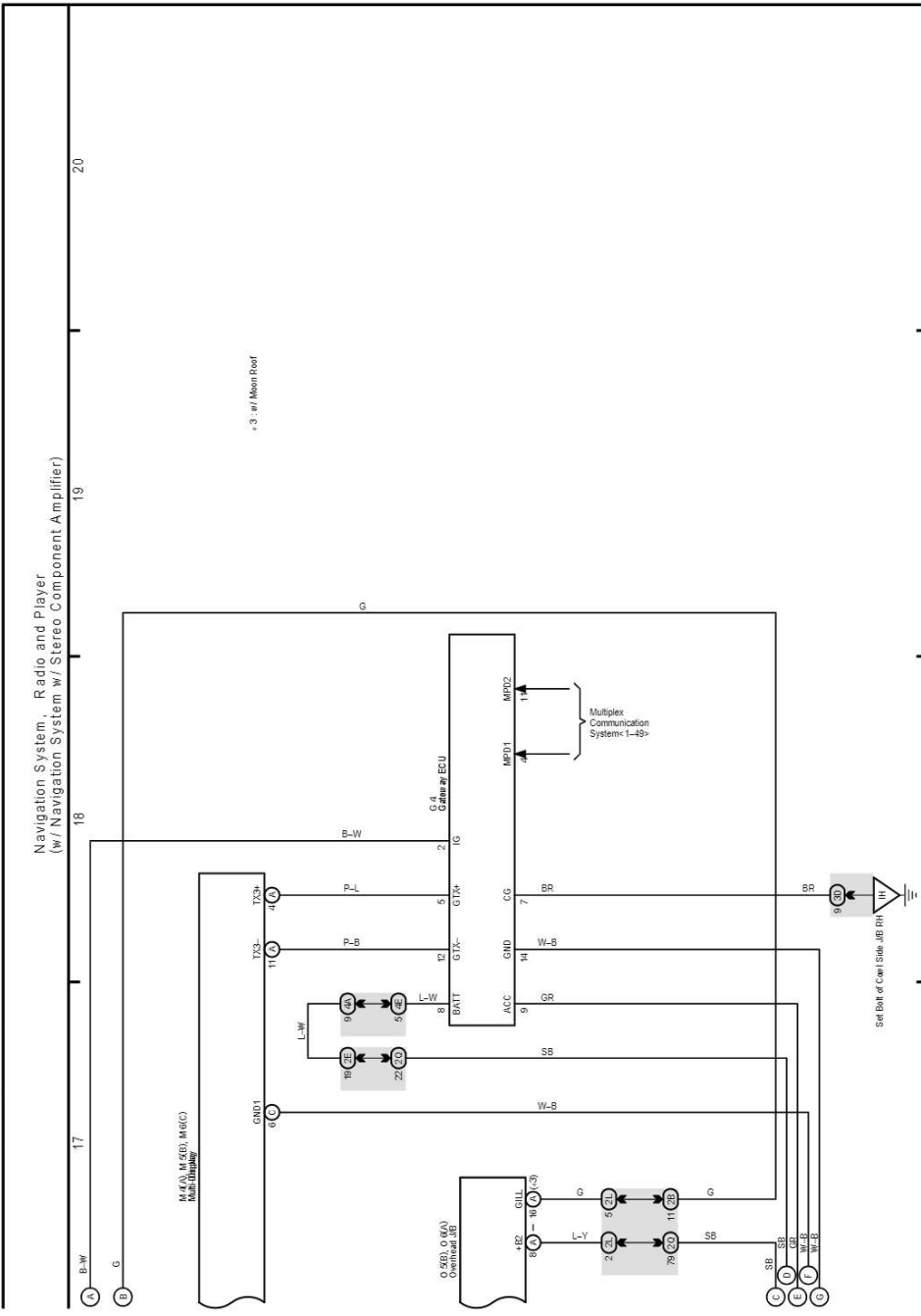
49 LAND CRUISER (RHD) (Cont' d)

(Cont. next page)

Navigation System, Radio and Player
(w/ Navigation System w/ Stereo Component Amplifier)



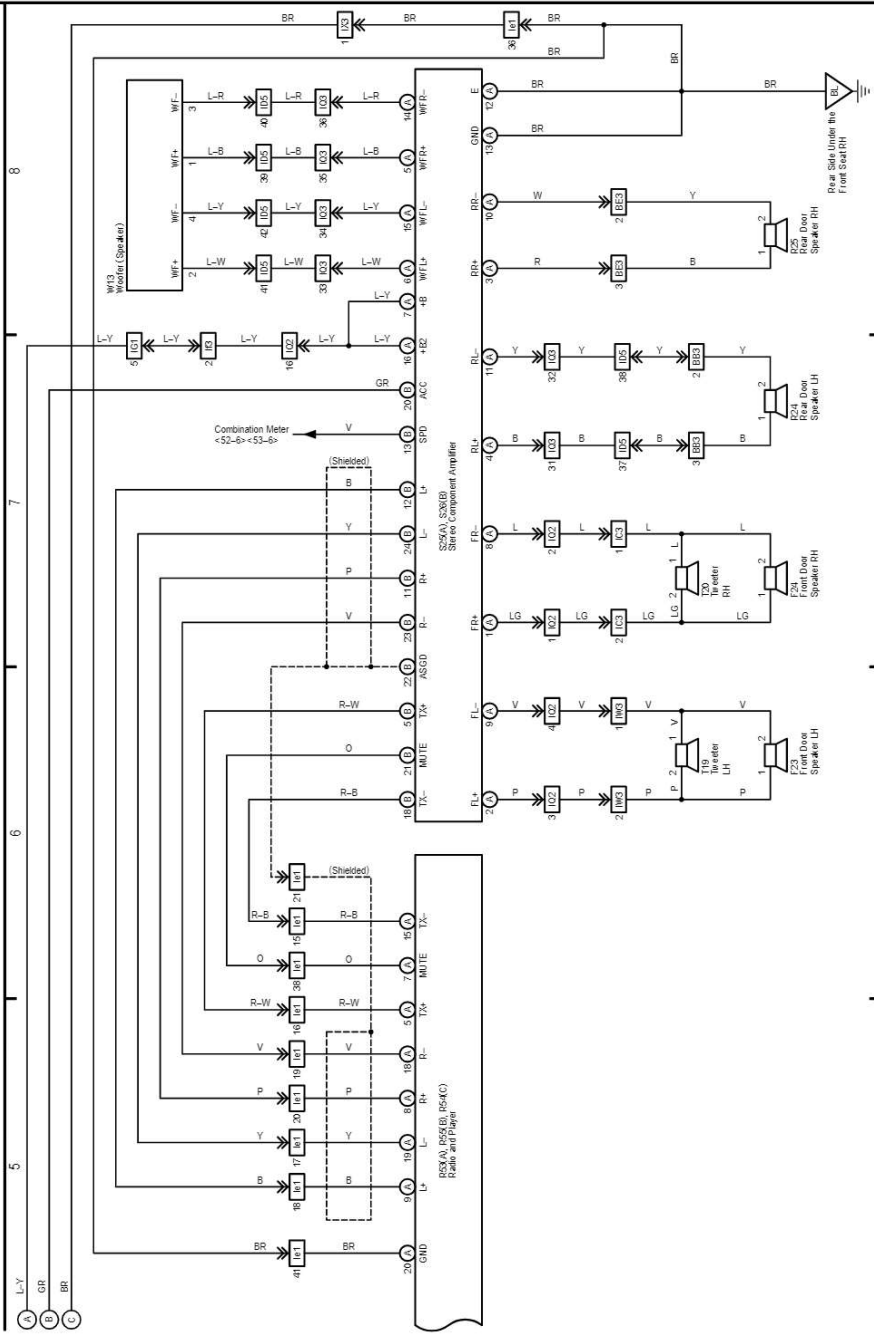
cardiagn.com



LAND CRUISER Station Wagon (EWD512E)

cardiagn.com

Radio and Player (w/o Navigation System w/ Stereo Component Amplifier)



cardiagn.com

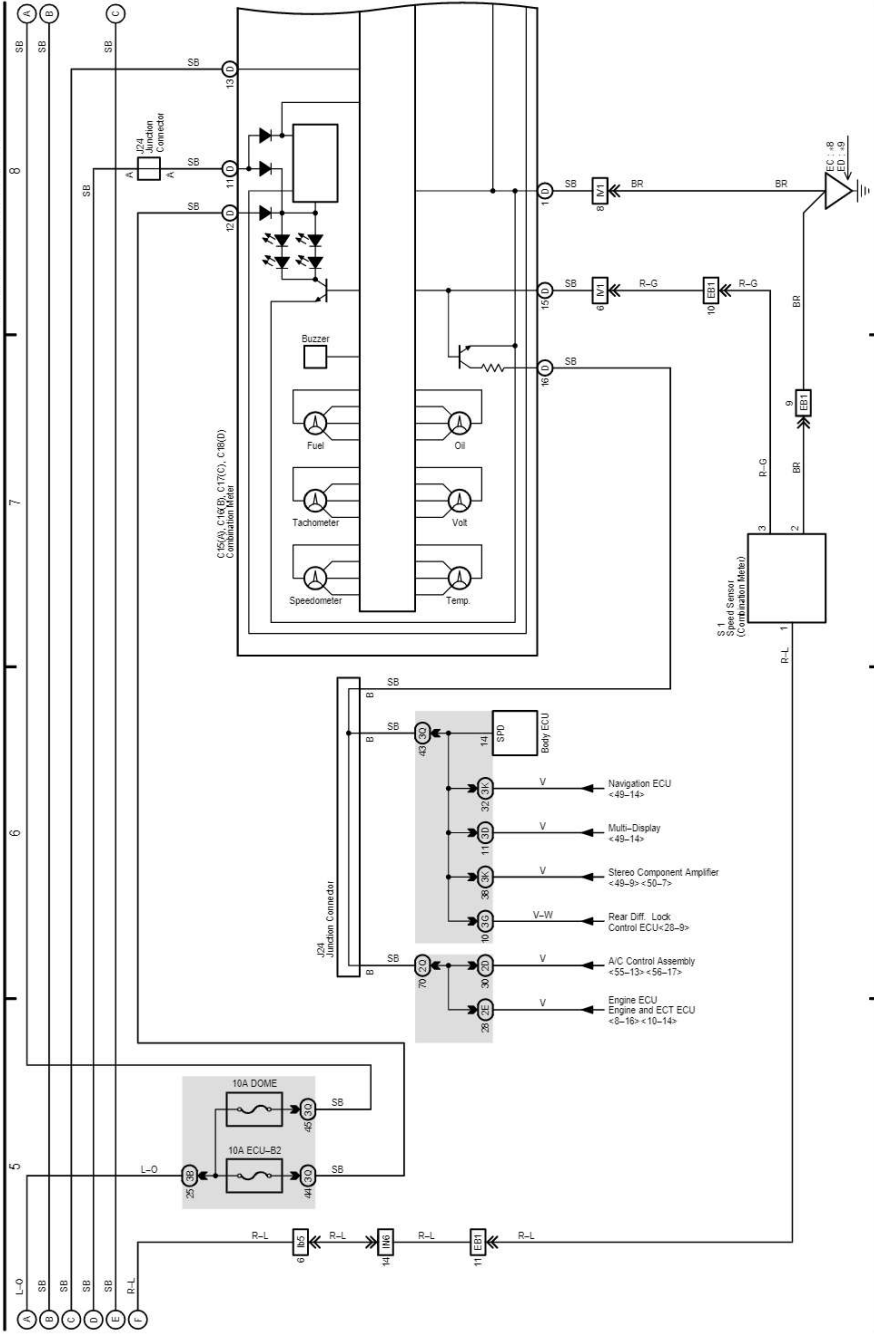
H OVERALL ELECTRICAL WIRING DIAGRAM

52 LAND CRUISER (RHD) (Cont' d)

(Cont. next page)

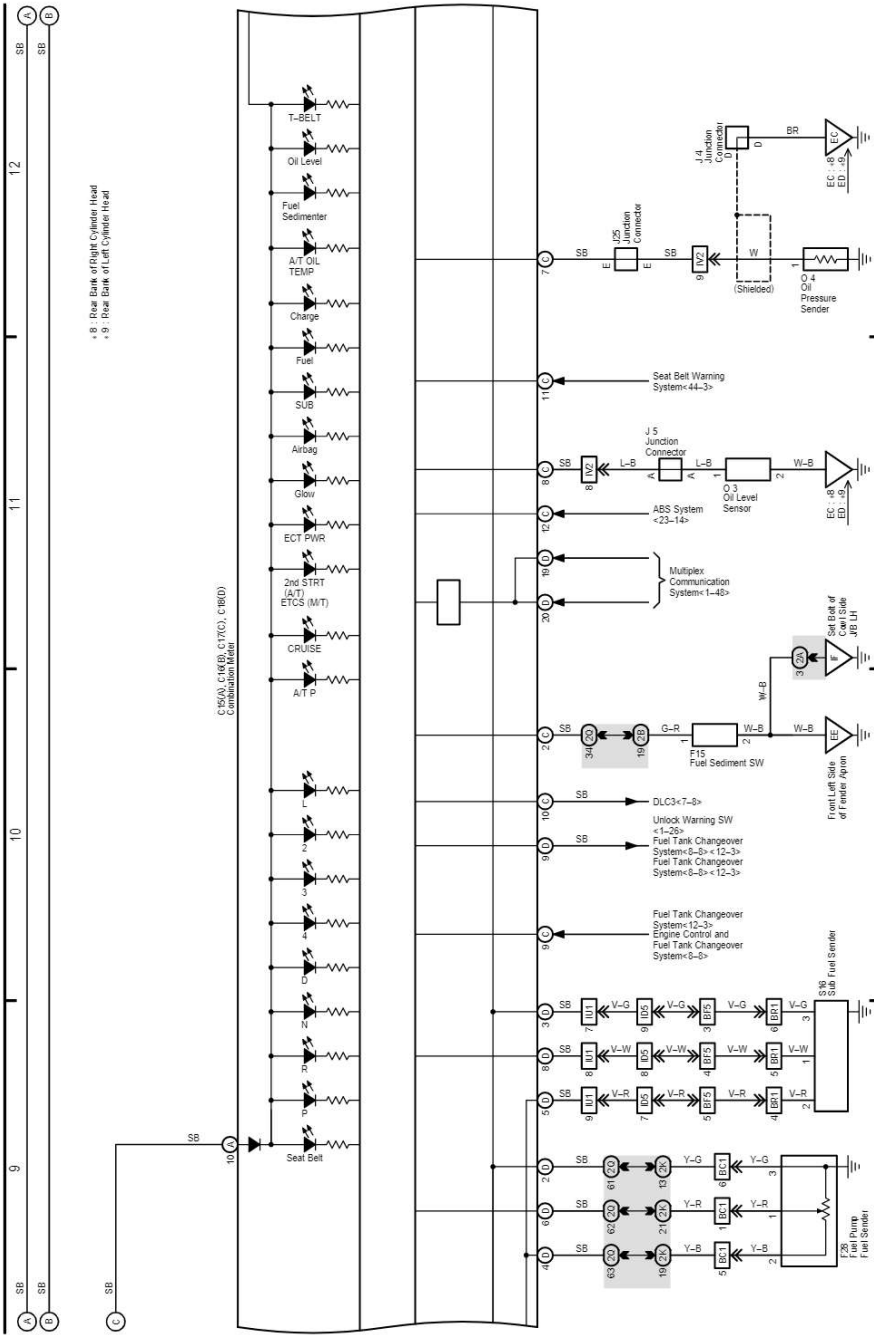
Combination Meter (2UZ-FE, 1HD-FTE Except Europe)

*8 Rear Bank of Right Cylinder Head (DZJFE)
 *9 Rear Bank of Left Cylinder Head (DMPFTE)



cardiagn.com

Combination Meter (2UZ-FE, 1HD-FTE Except E Europe)



* 8 : Rear Bank of Right Cylinder Head
* 9 : Rear Bank of Left Cylinder Head

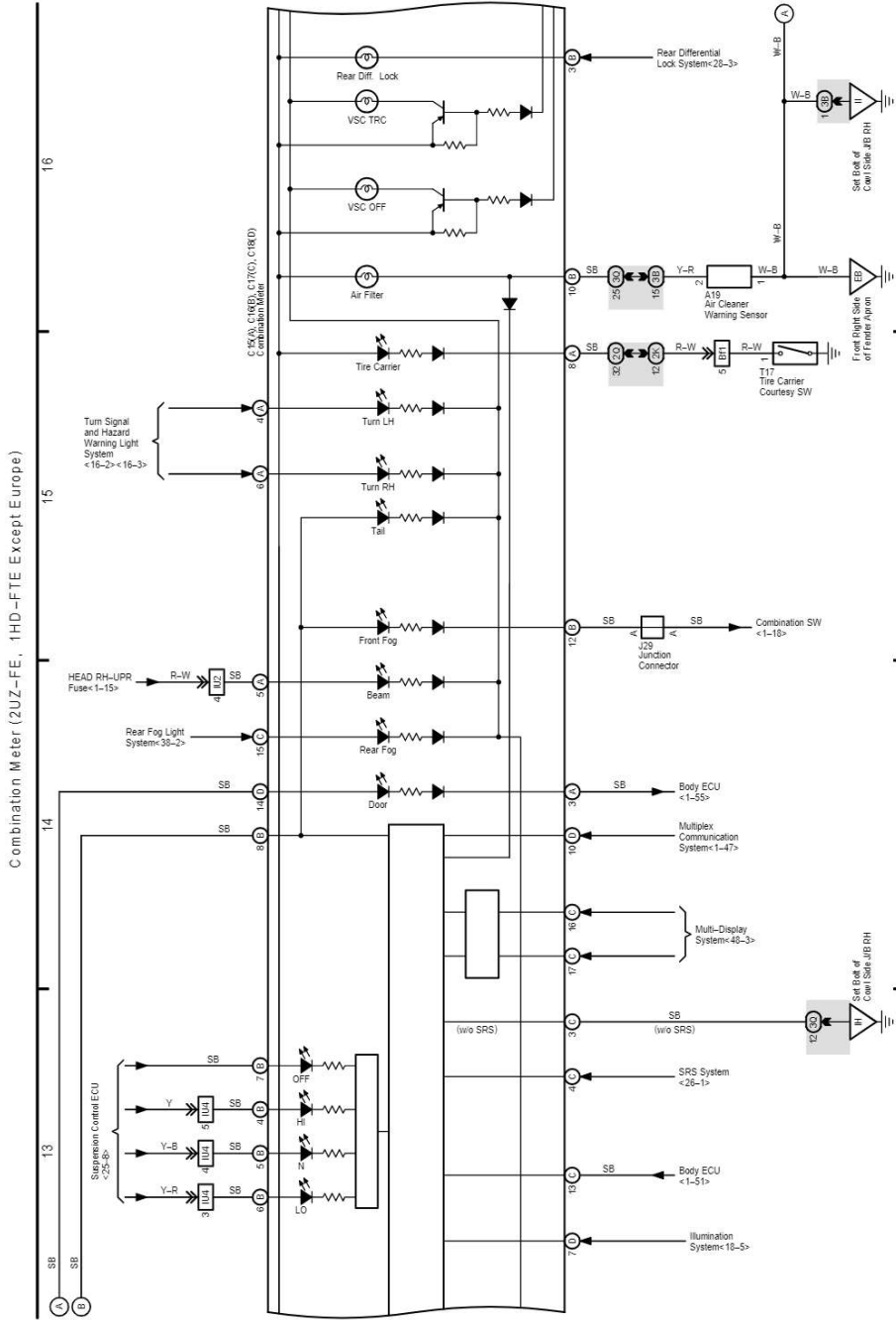
LAND CRUISER Station Wagon (EWD512E)

cardiagn.com

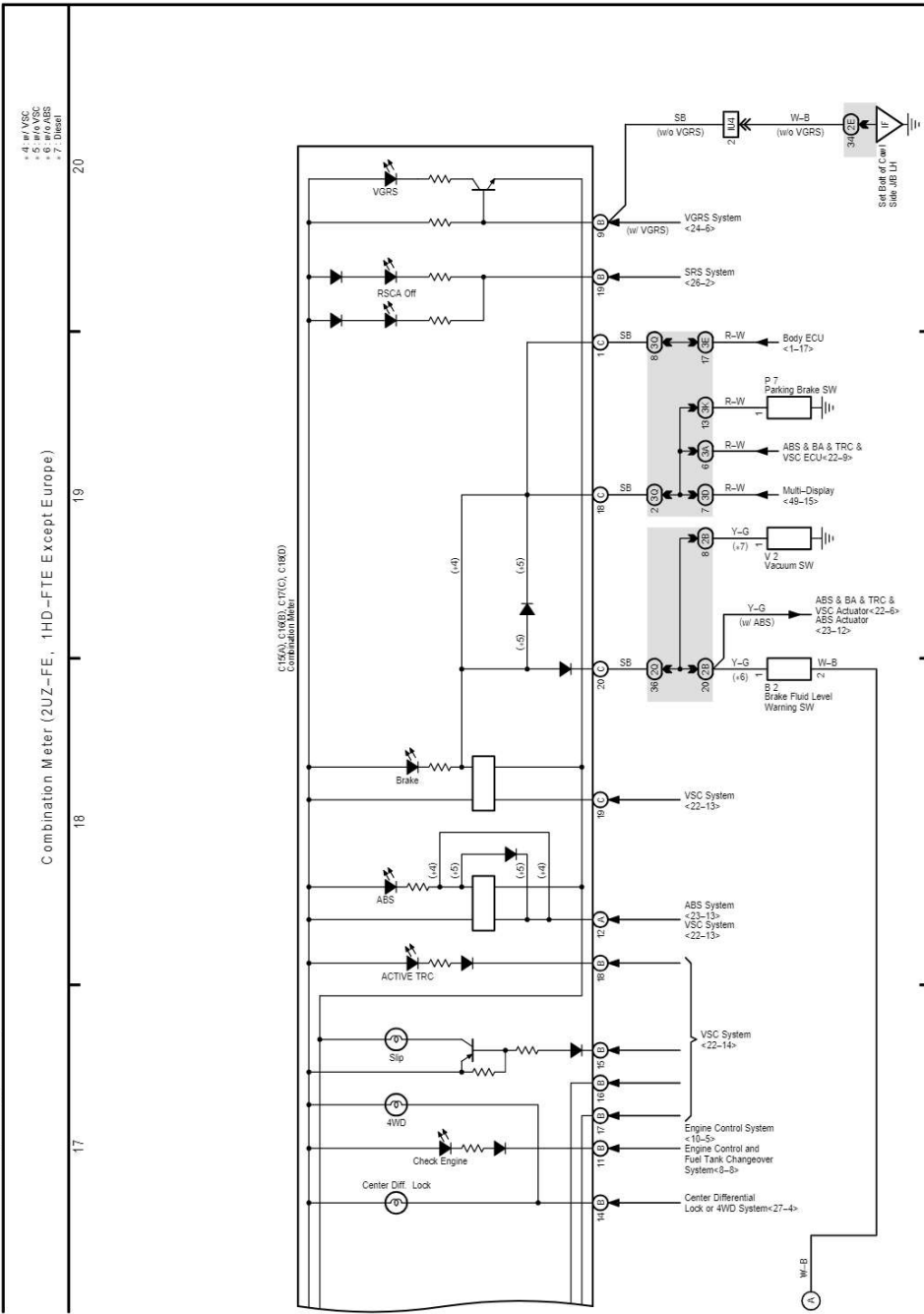
H OVERALL ELECTRICAL WIRING DIAGRAM

52 LAND CRUISER (RHD) (Cont' d)

(Cont. next page)



LAND CRUISER Station Wagon (EWD512E)

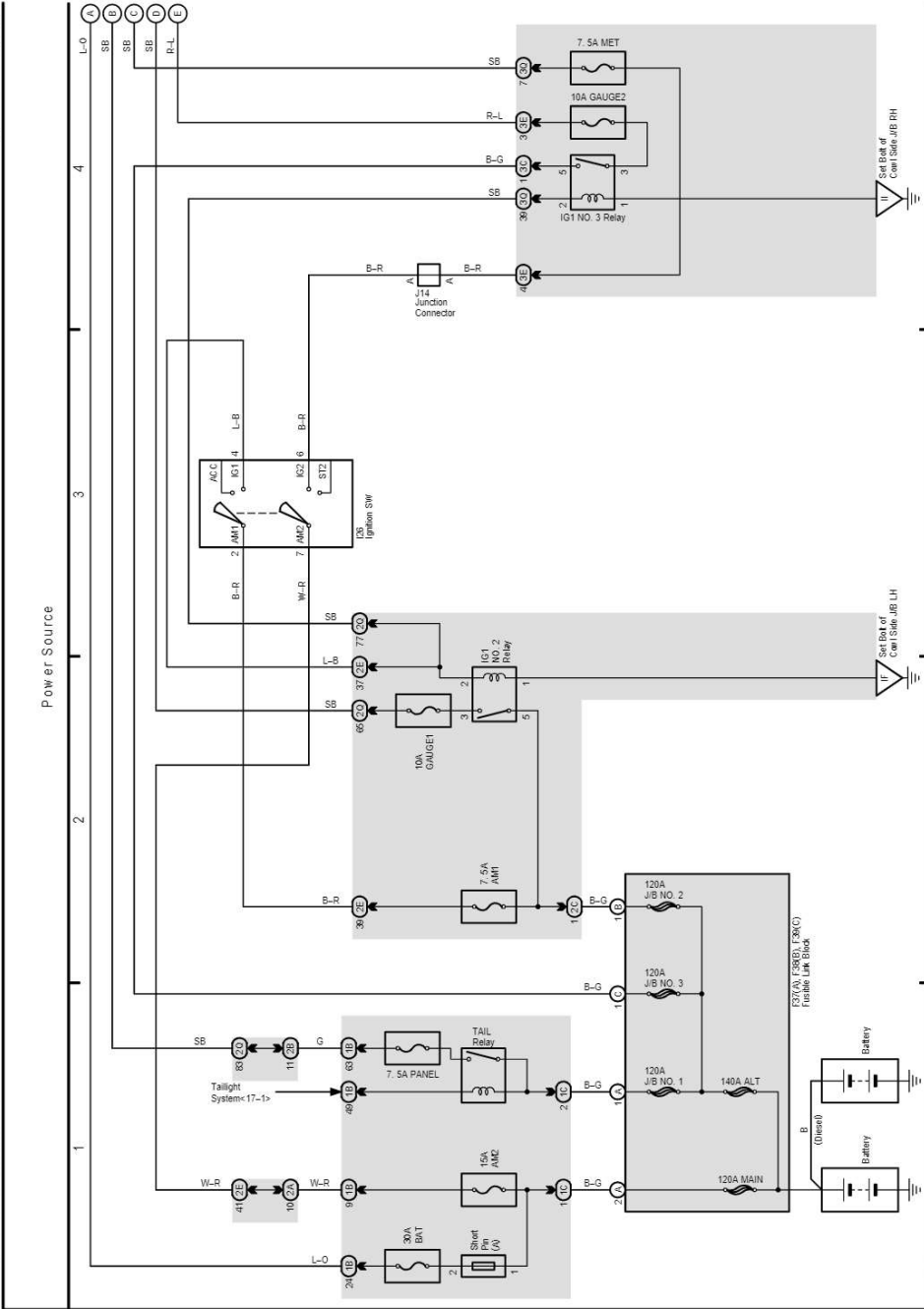


LAND CRUISER Station Wagon (EWD512E)

H OVERALL ELECTRICAL WIRING DIAGRAM

53 LAND CRUISER (RHD)

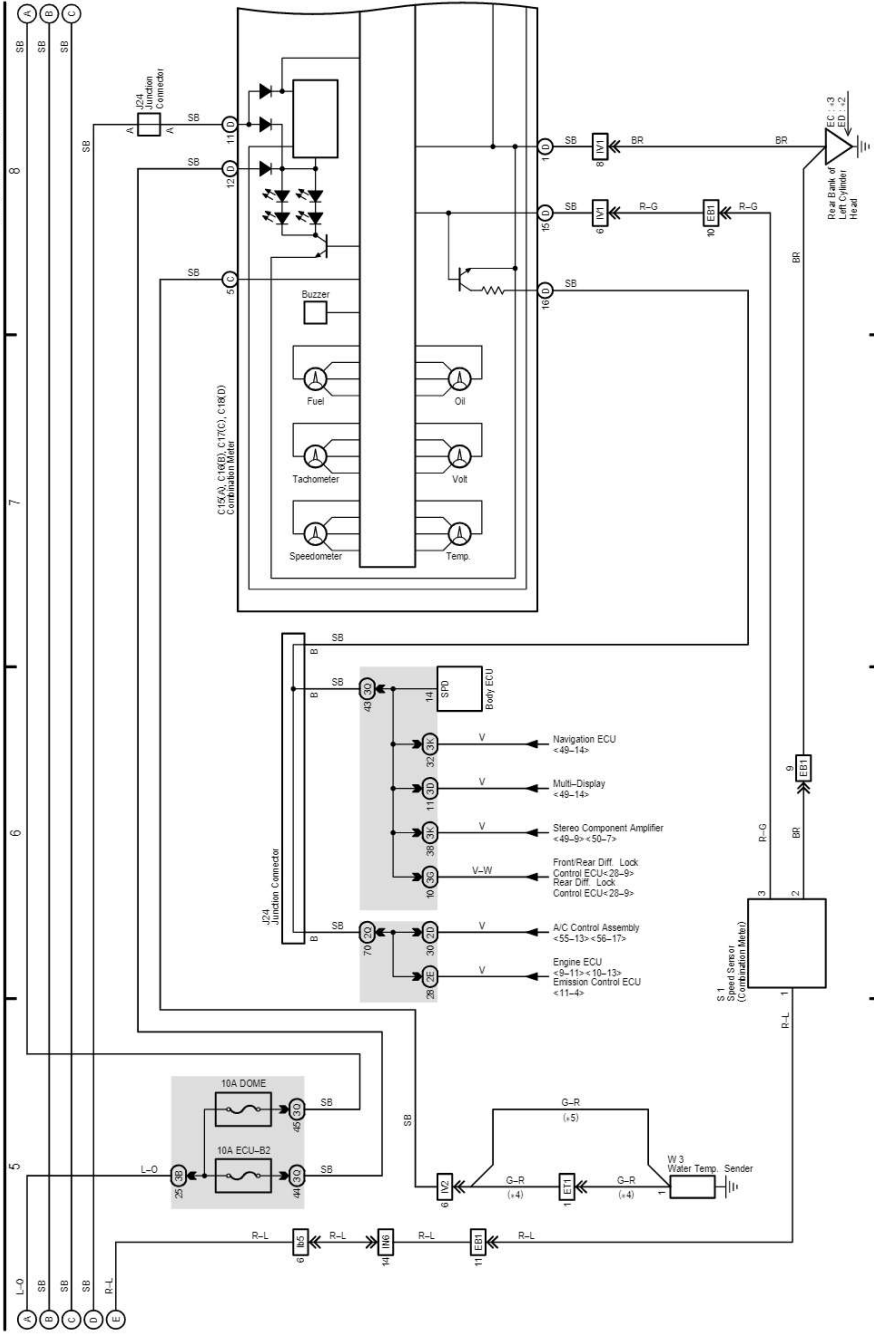
(Cont. next page)



cardiagn.com

- *.1 New Zealand, South Africa
- *.2 Except 1H0-FTE
- *.3 Except 1H0-FTE
- *.4 1H0-FTE Except *.1
- *.5 1FZ-EE, 1H0-FE-1, 1H2

Combination Meter (1FZ-EE, 1H0-FTE Europe, 1H2)

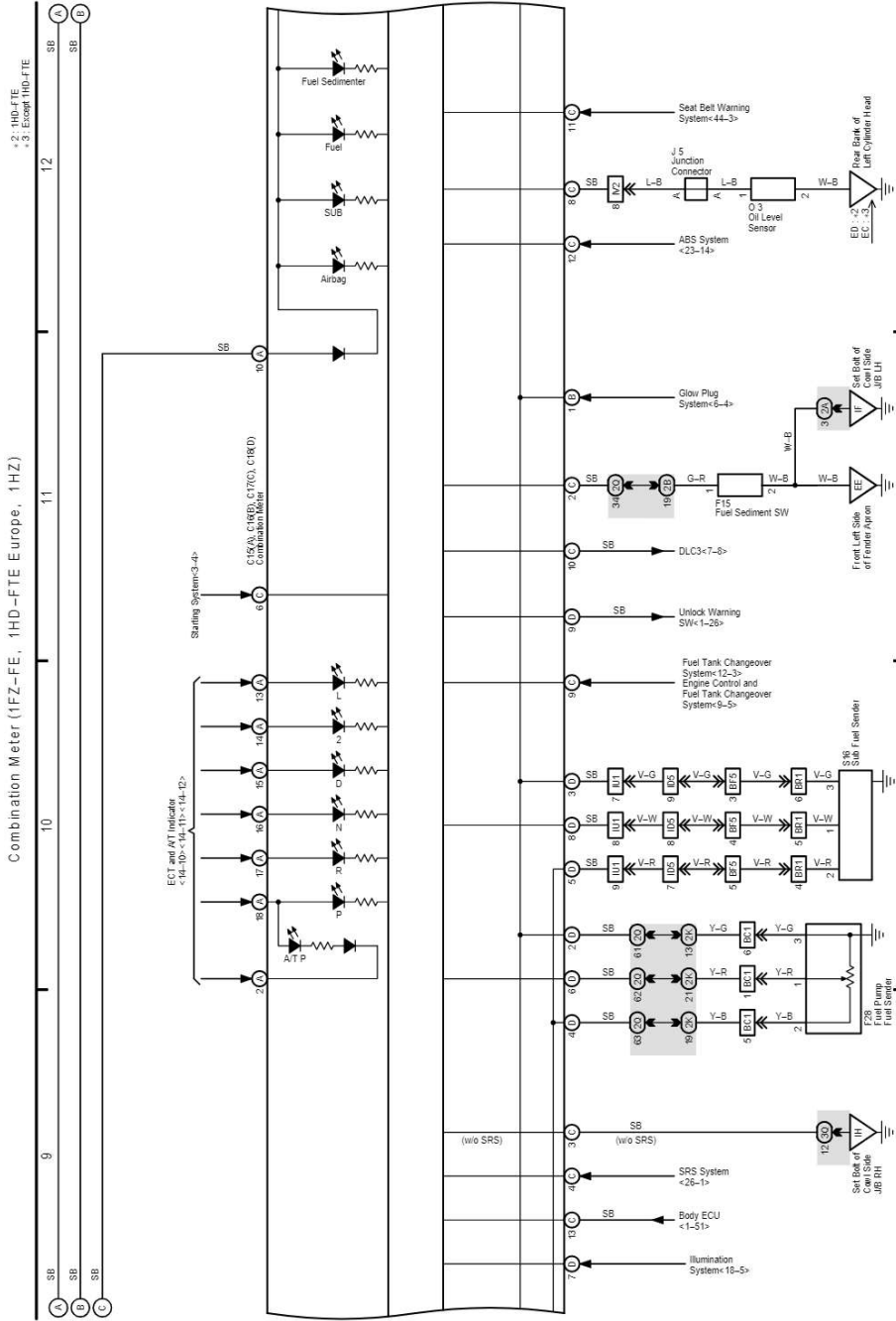


cardiagn.com

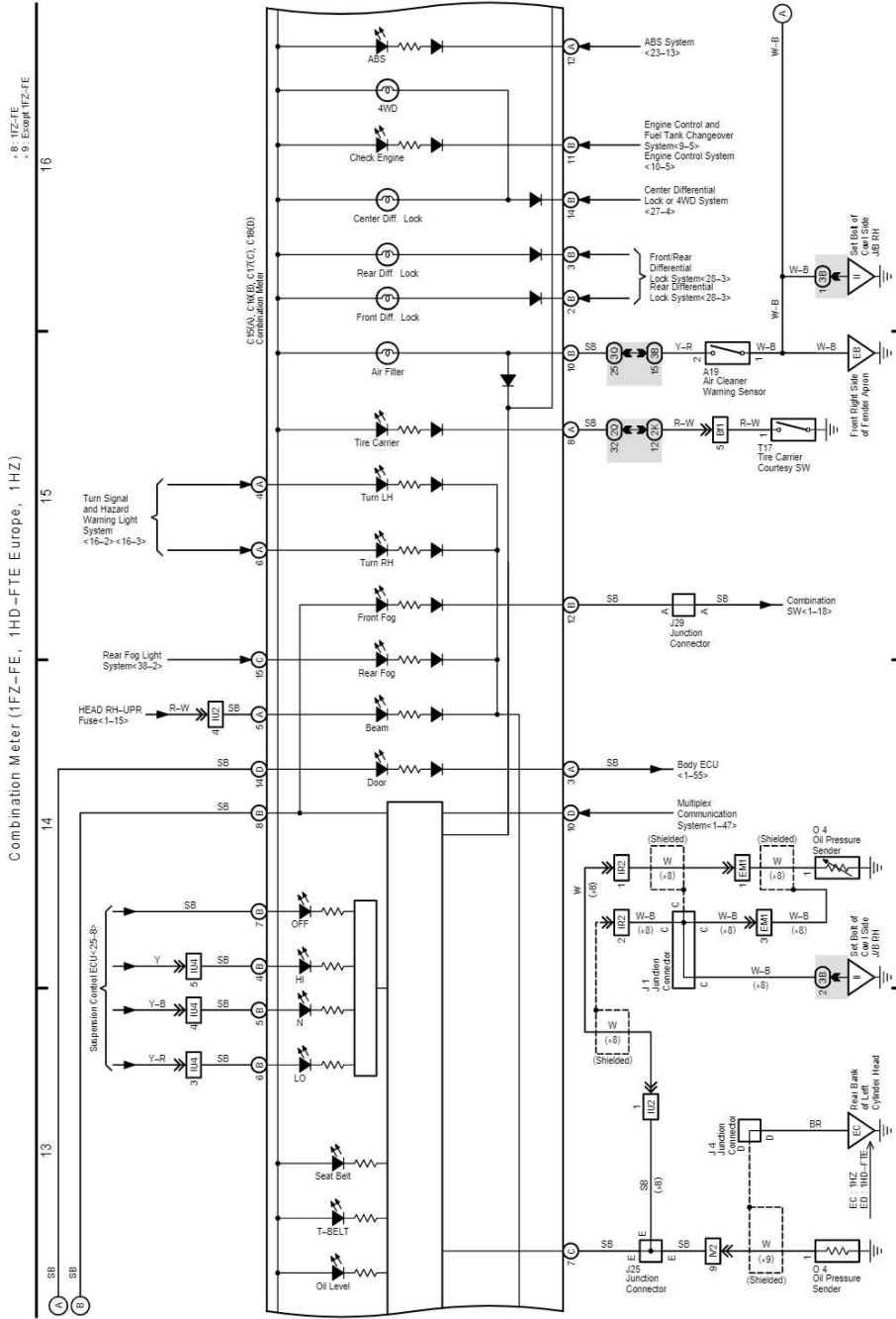
H OVERALL ELECTRICAL WIRING DIAGRAM

53 LAND CRUISER (RHD) (Cont' d)

(Cont. next page)



cardiagn.com



LAND CRUISER Station Wagon (EWD512E)

cardiagn.com

H OVERALL ELECTRICAL WIRING DIAGRAM

53 LAND CRUISER (RHD) (Cont' d)

Combination Meter (1FZ-EE, 1HD-FTE Europe, 1HZ)

4.6: 16/ABS
2.7: 0/ent

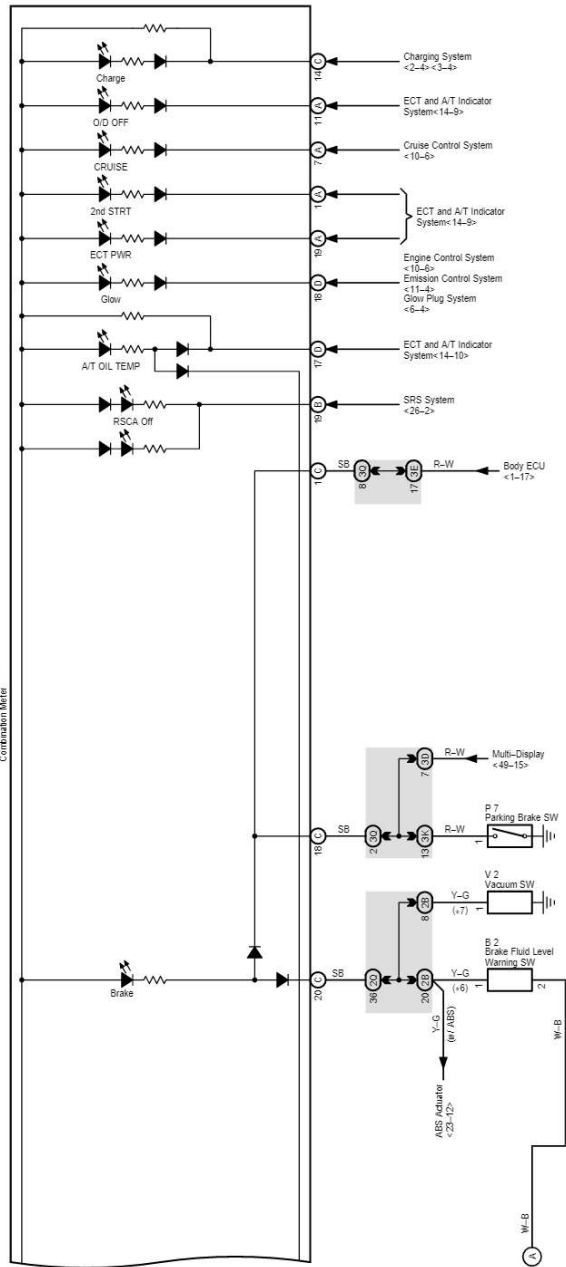
20

19

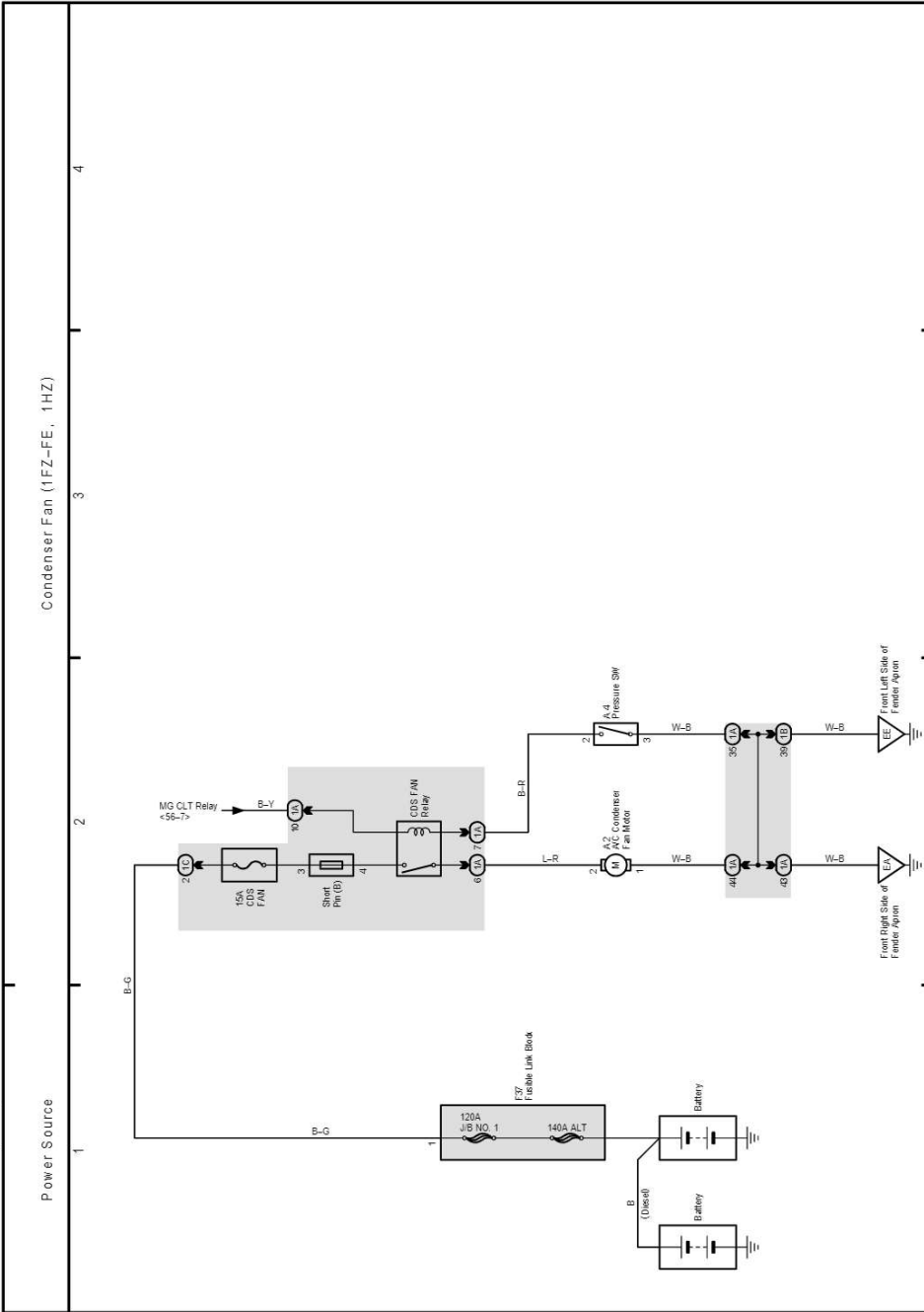
18

17

C15(A, B, RB), C17(C), C18(D)
Combination Meter



cardiagn.com



cardiagn.com

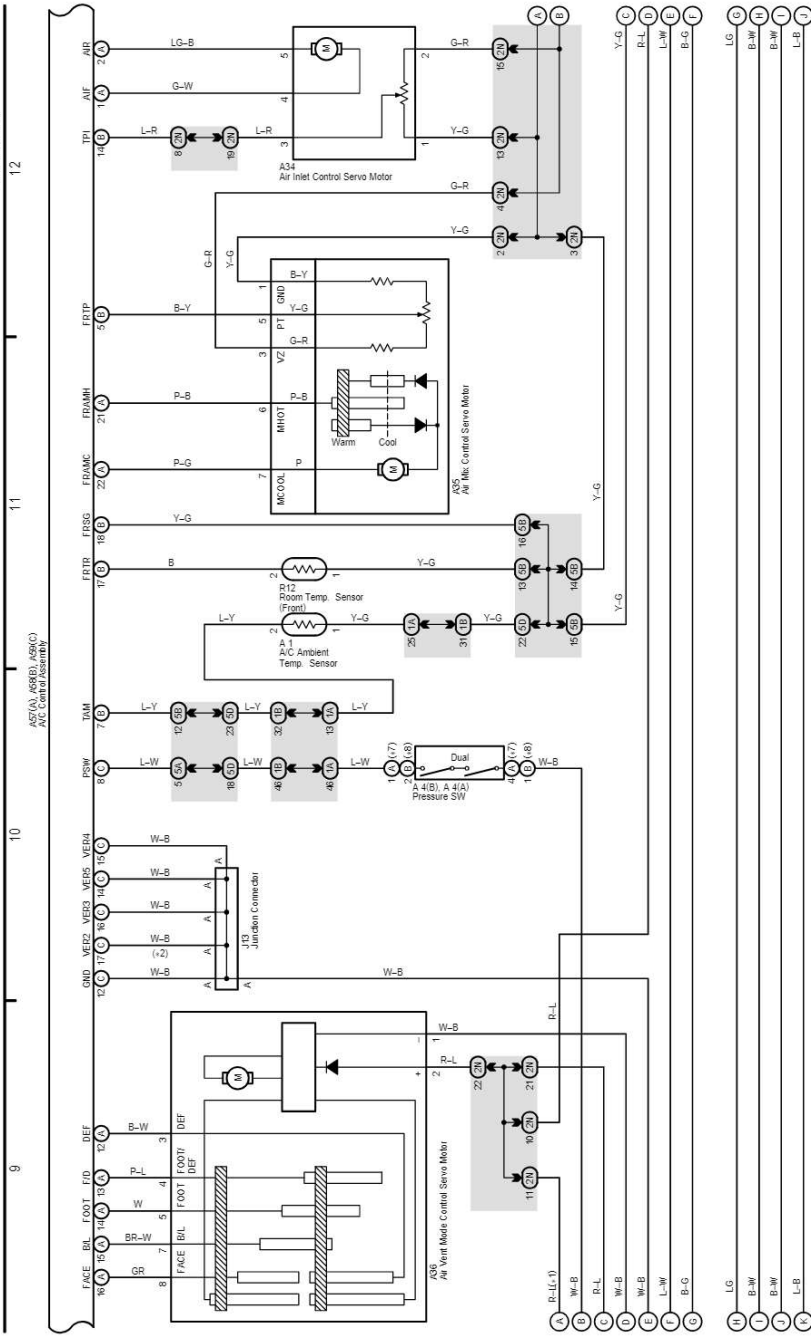
H OVERALL ELECTRICAL WIRING DIAGRAM

55 LAND CRUISER (RHD) (Cont' d)

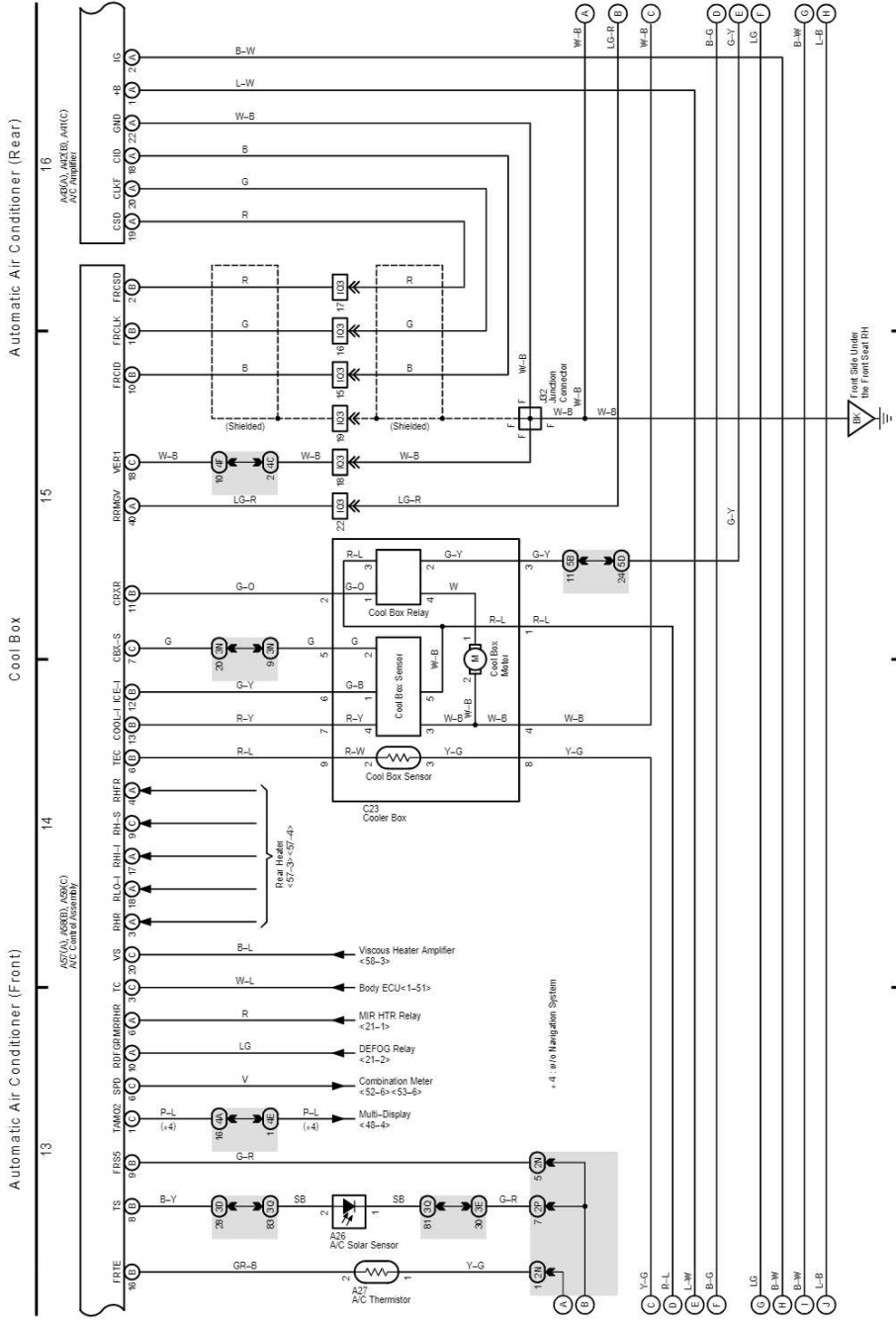
(Cont. next page)

- *1: w/ Navigation System
- *2: 20JZ-FE
- *7: w/ Rear A/C
- *8: w/ Rear A/C

Automatic Air Conditioner (Front)



cardiagn.com



cardiagn.com

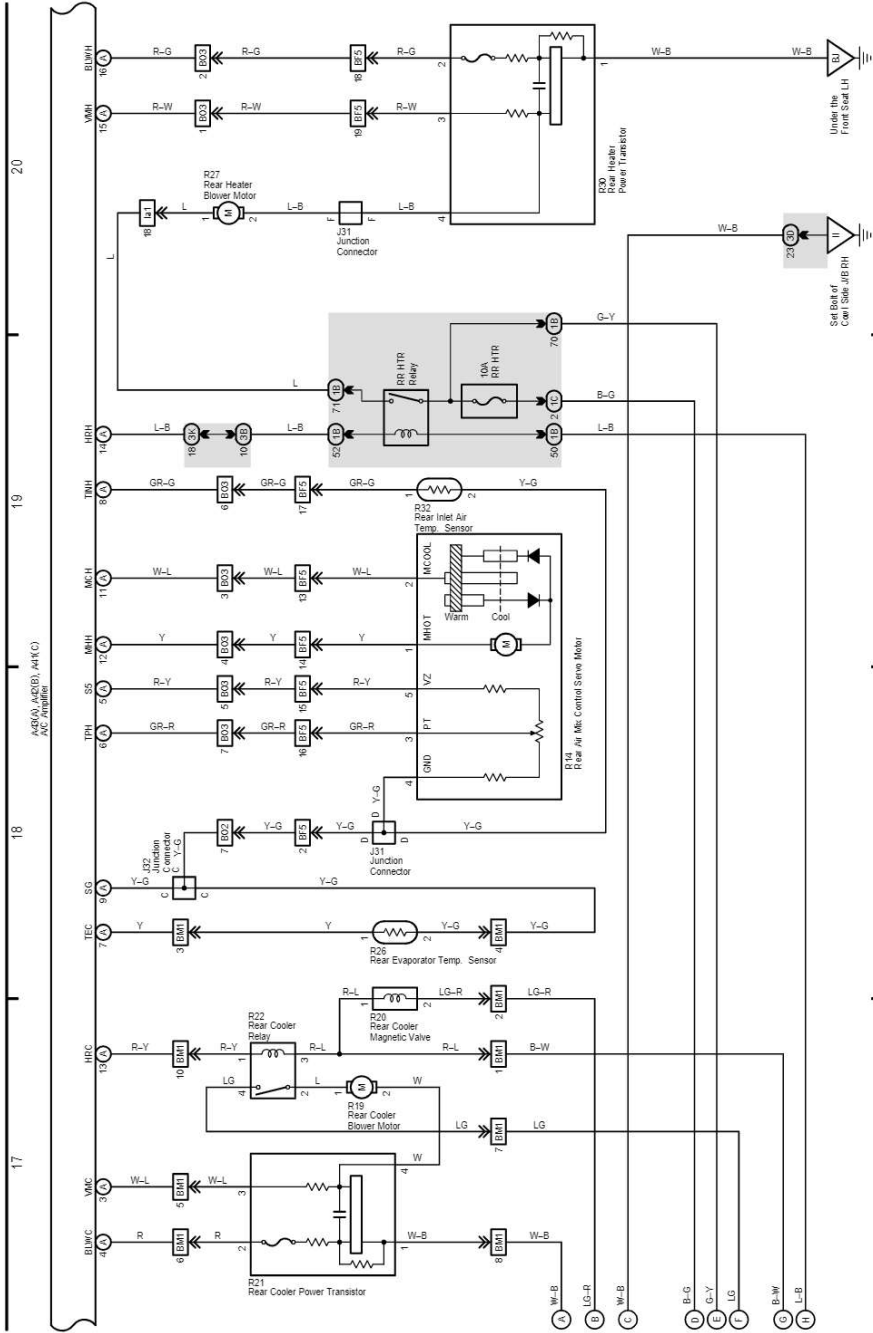
LAND CRUISER Station Wagon (EWD512E)

H OVERALL ELECTRICAL WIRING DIAGRAM

(Cont. next page)

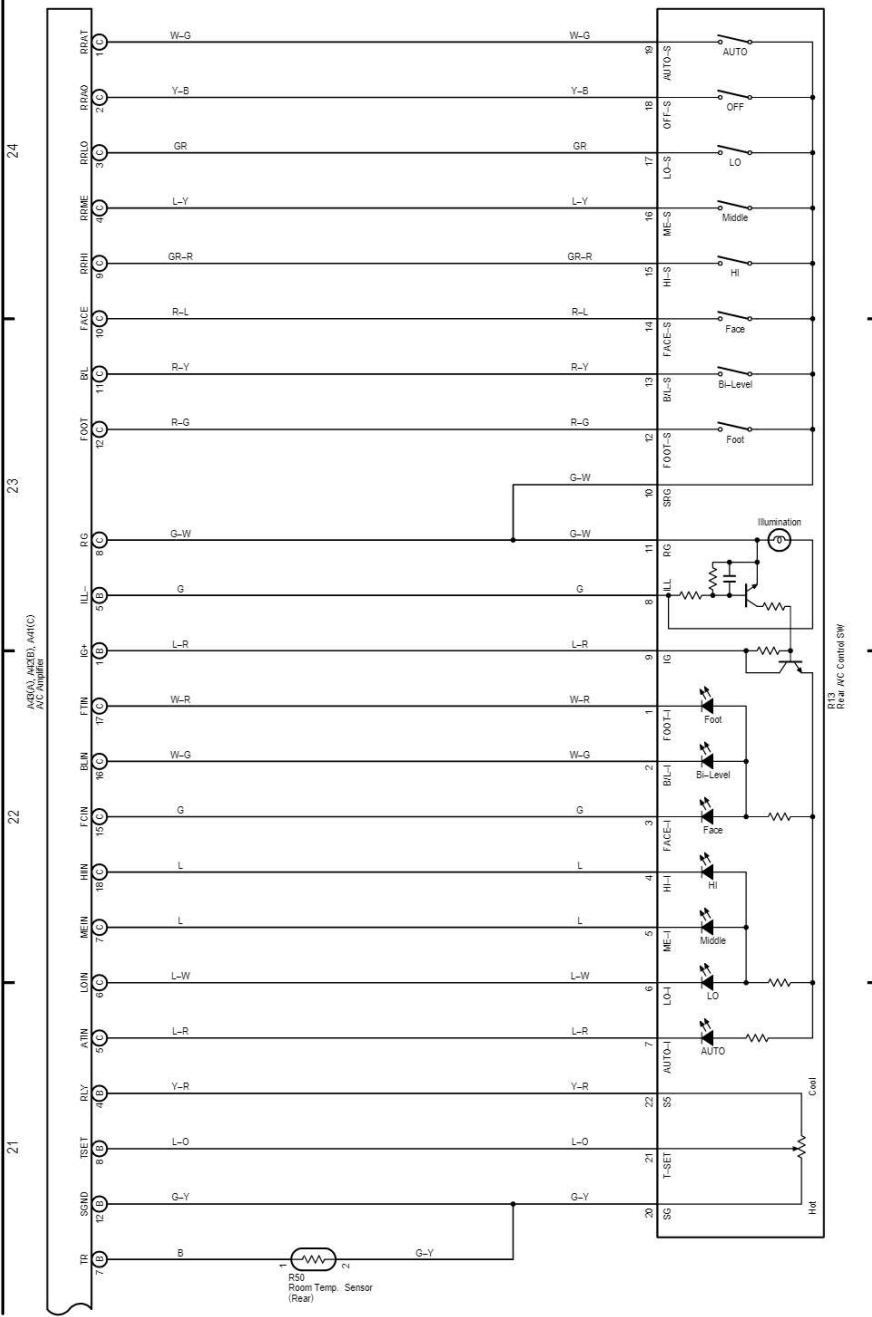
55 LAND CRUISER (RHD) (Cont' d)

Automatic Air Conditioner (Rear)



cardiagn.com

Automatic Air Conditioner (Rear)

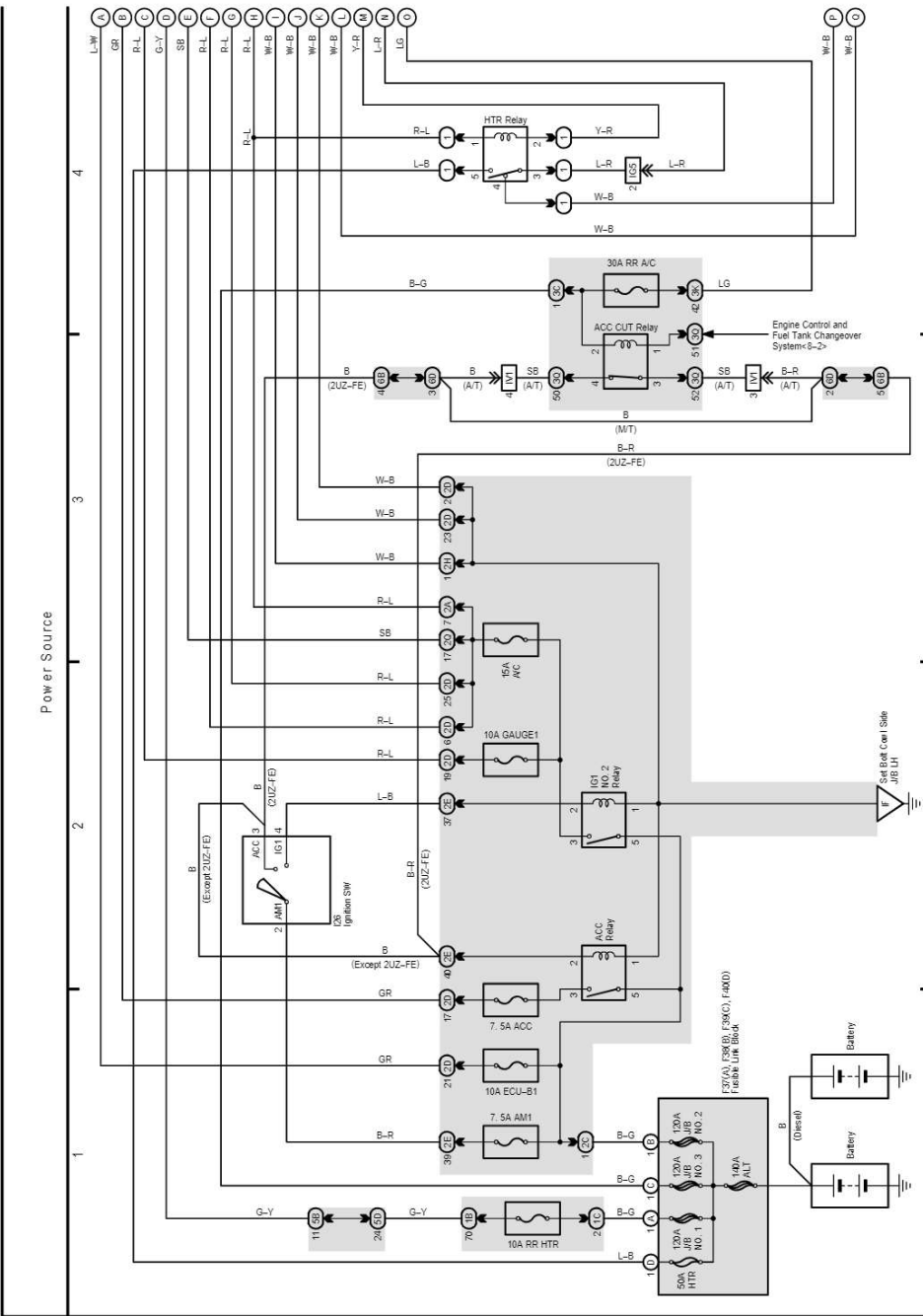


cardiagn.com

H OVERALL ELECTRICAL WIRING DIAGRAM

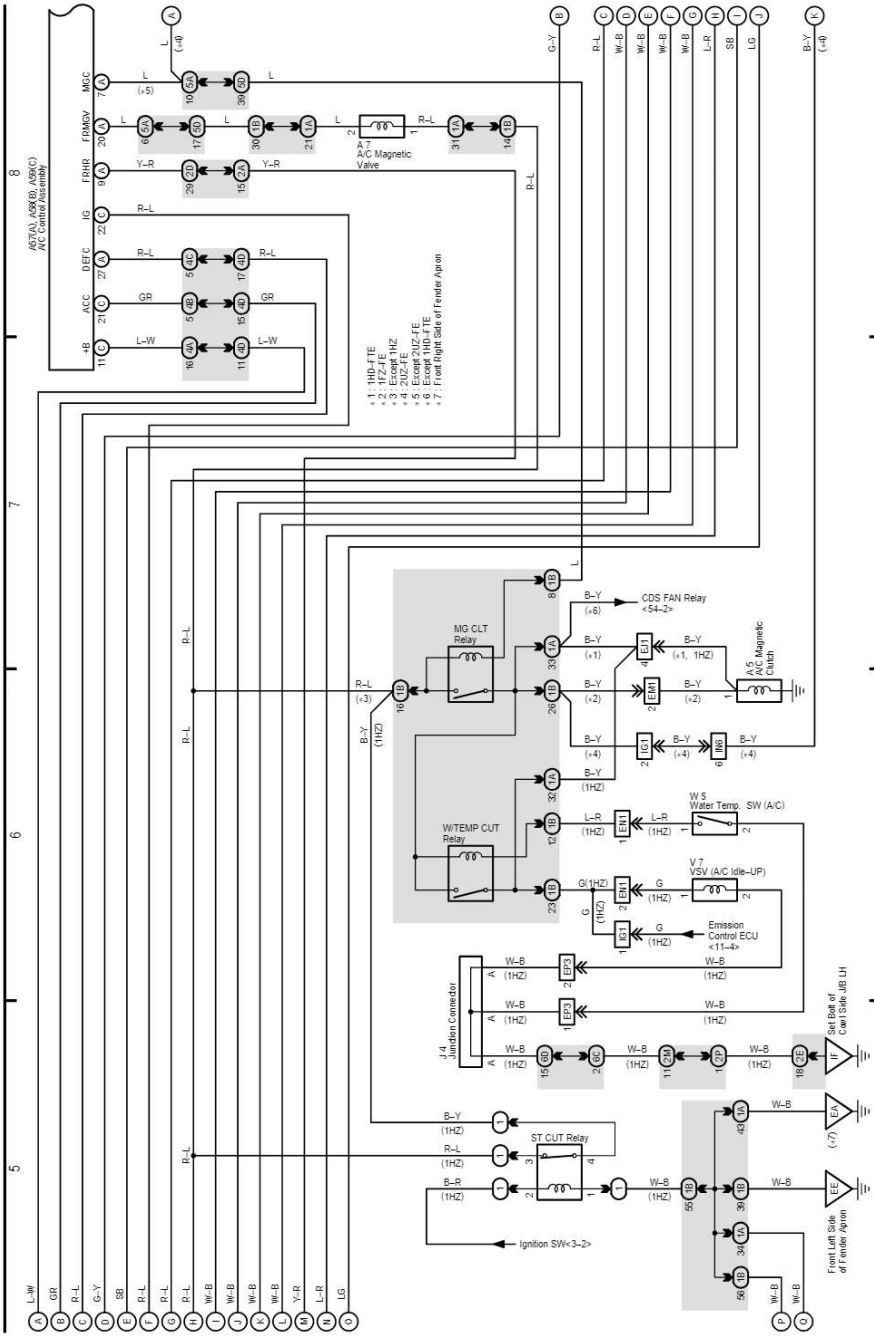
(Cont. next page)

56 LAND CRUISER (RHD)



cardiagn.com

Manual Air Conditioner (Front)



LAND CRUISER Station Wagon (EWD512E)

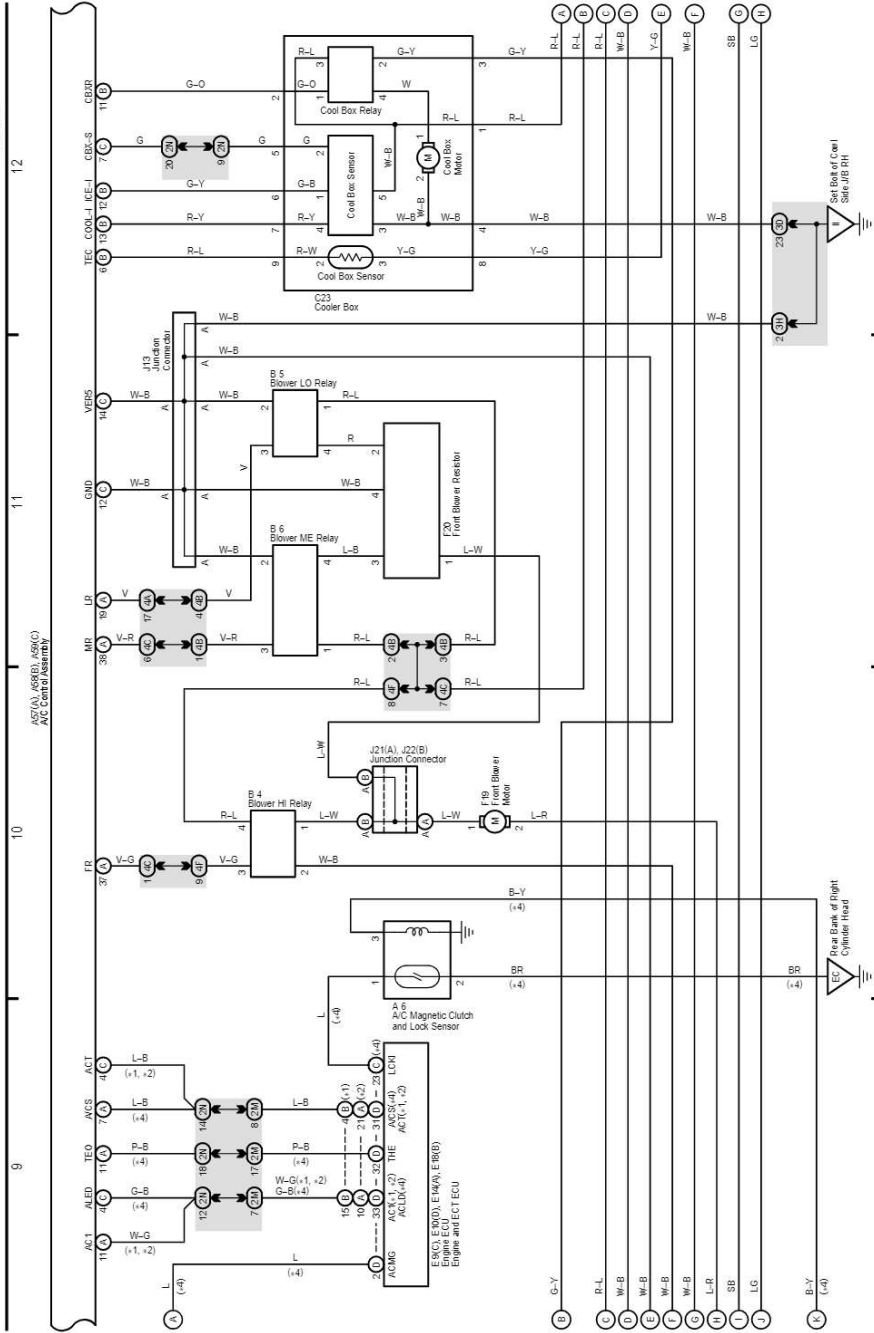
cardiagn.com

H OVERALL ELECTRICAL WIRING DIAGRAM

56 LAND CRUISER (RHD) (Cont' d)

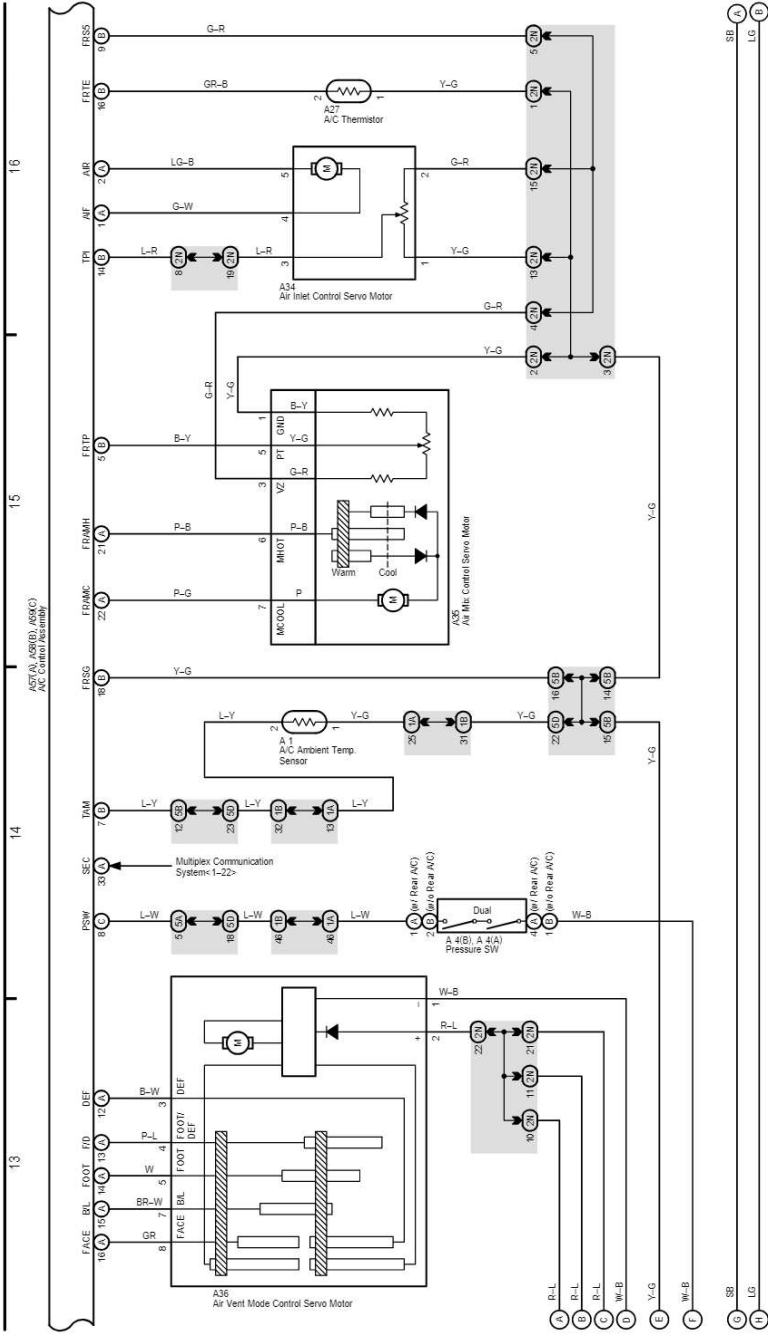
(Cont. next page)

Manual Air Conditioner (Front)



cardiagn.com

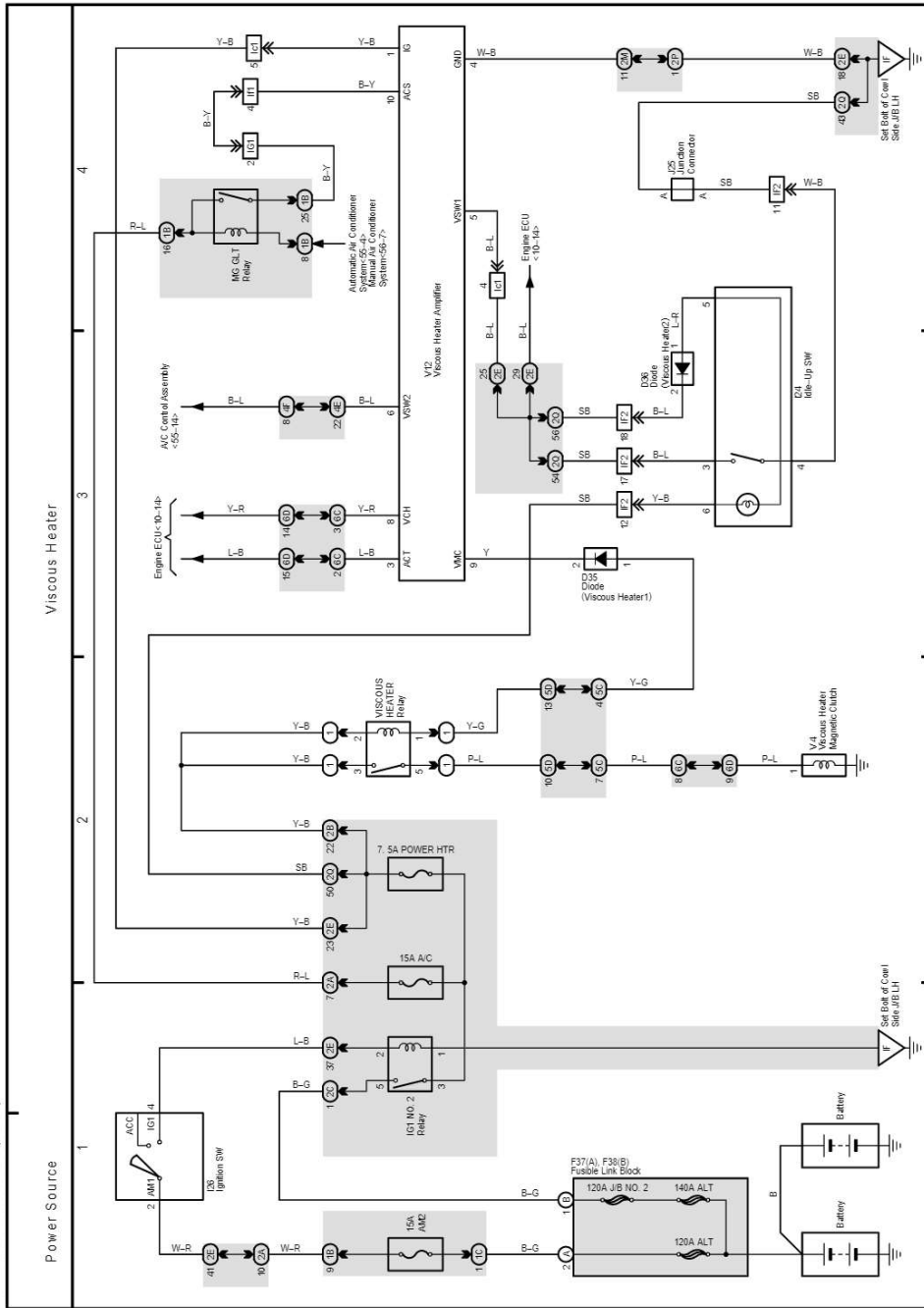
Manual Air Conditioner (Front)

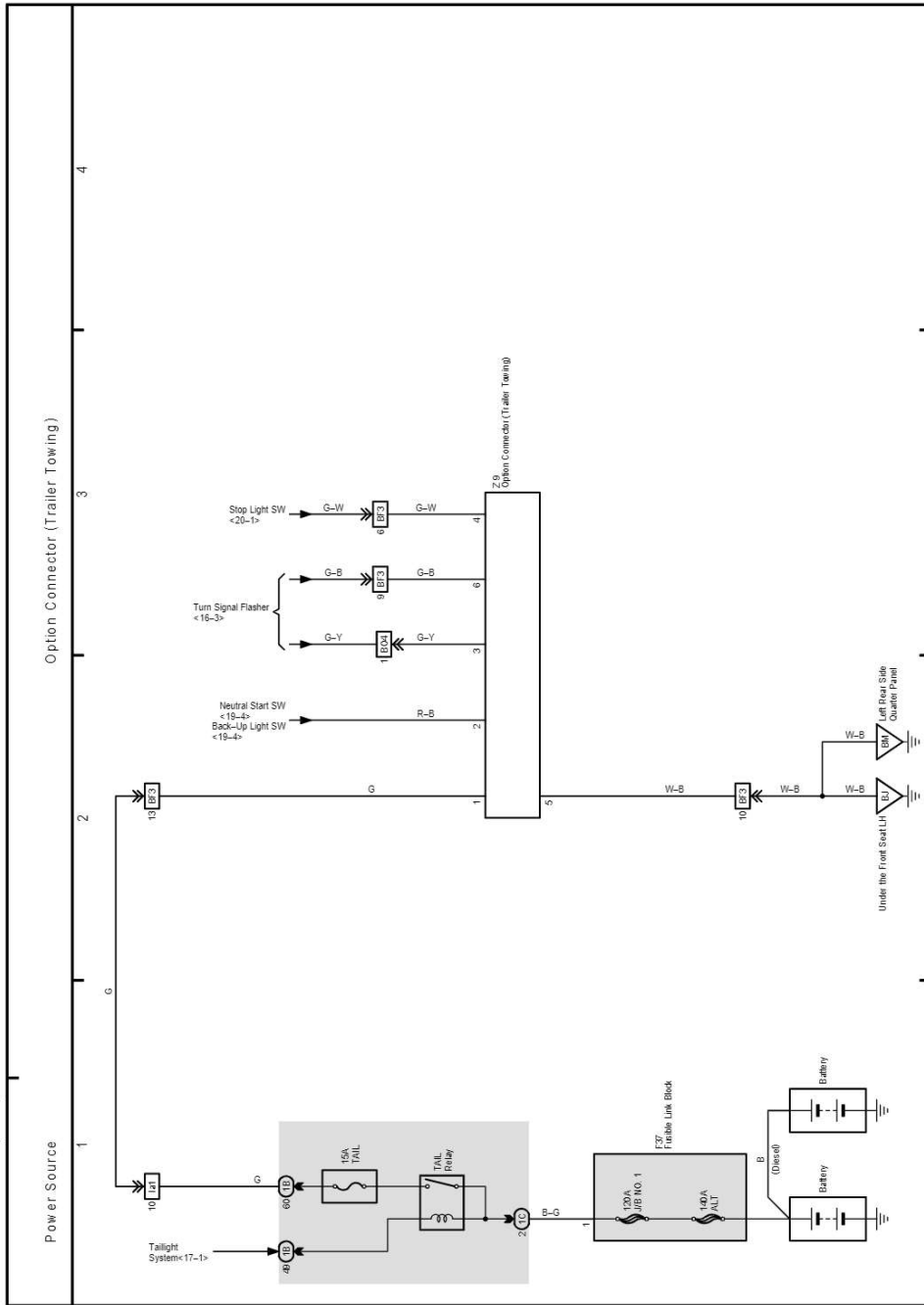


cardiagn.com

H OVERALL ELECTRICAL WIRING DIAGRAM

58 LAND CRUISER (RHD)



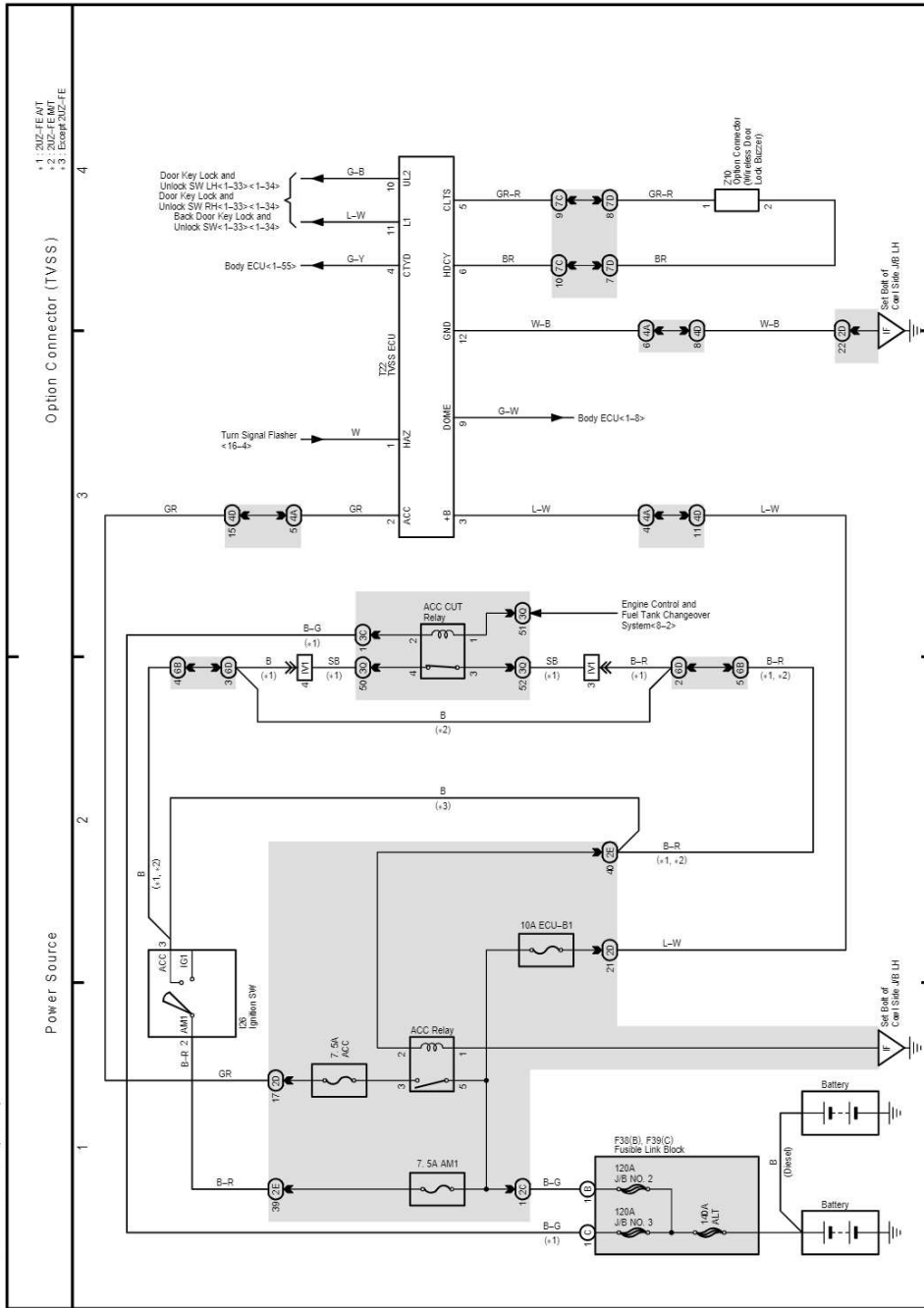


cardiagn.com

LAND CRUISER Station Wagon (EWD512E)

H OVERALL ELECTRICAL WIRING DIAGRAM

60 LAND CRUISER (RHD)



cardiagn.com